



SOURIAU

838 Series

Railway Connectors



Contents

Overview

SOURIAU's railway connector range overview ...	06
SOURIAU's railway strategy	07
General technical characteristics	08
Description	10
Layouts overview	11
Heating curves	12
Data transmission performances	13
Ordering information	14

Mechanics/Backshells

Shell size E	18
Shell size C	28
Shell size J	40
Shell size B	48
Accessories	57

Contacts

Machined crimp contact	60
Twinax	61
Quadrax	62

Technical information

Contact crimp tooling	66
Contact Twinax tooling	67
Contact Quadrax tooling	67
Contact removal	67
Pin wrench	68
Contact crimping instruction	68
How to harness a shielded cable	168
Quadrax crimping instruction	122
Backshell exploded views.....	122
Connector mated length / Insert orientations	170

838 series



838 Series

Overview

■ SOURIAU's railway connector range overview	06
■ SOURIAU's railway strategy	07
■ General technical characteristics	08
■ Description	10
■ Layouts overview	11
■ Heating curves	12
■ Data transmission performances	13
■ Ordering information	14



SOURIAU's railway connector range overview

For outdoor equipments

838



Up to 61 contacts
Signal, power and Quadrax layouts
Compliant to NFF61030

VGE1 / FER1



Up to 60 contacts
Signal and Quadrax layouts
Tested following NFF61030

For indoor equipments

SMSIP



3 to 12 contacts #16
High operating voltage up to 500 V
Compliant to CEN / TS 45-545 & NF F 16-101/16-102

SMS Flame retardant



Up to 36 contacts #16
Up to 220V according to EN50124-1 / OV2PD2
Tested following NFF61030

UTO



Up to 48 contacts #16
Up to 120V according to EN50124-1 / OV3PD2

UTS



Up to 23 contacts #16
Up to 120V according to EN50124-1 / OV3PD3



SOURIAU on the railway market

SOURIAU is a recognised worldwide market leader in the design and manufacture of connectors and interconnect systems for severe environments. SOURIAU has developed a dedicated range of ruggedised and reliable connectors for the railway market, fully compliant with railway standards, RoHS, as well as fire and smoke requirements.

For more than 50 years, SOURIAU has become a trusted name by major railway equipment manufacturers, their subcontractors, also signalling and infrastructure companies.

SOURIAU connectors are designed to integrate new functions such as Ethernet network, weight reduction, mixed signal-power in compliance with environmental protection. This offer is the best compromise between technology, safety, reliability and cost.

SOURIAU has been awarded IRIS certification since 2009.



- ✓ Standard contacts for 4 railway ranges
- +
- ✓ Same crimping tools
- +
- ✓ Simplified process
- =
- Best compromise between technology and cost**



- ✓ Fiber optic
- +
- ✓ Quadrax technology
- =
- High speed solutions for real-time information**



- ✓ Eco-conception & process
- +
- ✓ Safety international standards
- +
- ✓ Lightweight material
- =
- Efficient railway equipments**

838 Series Overview



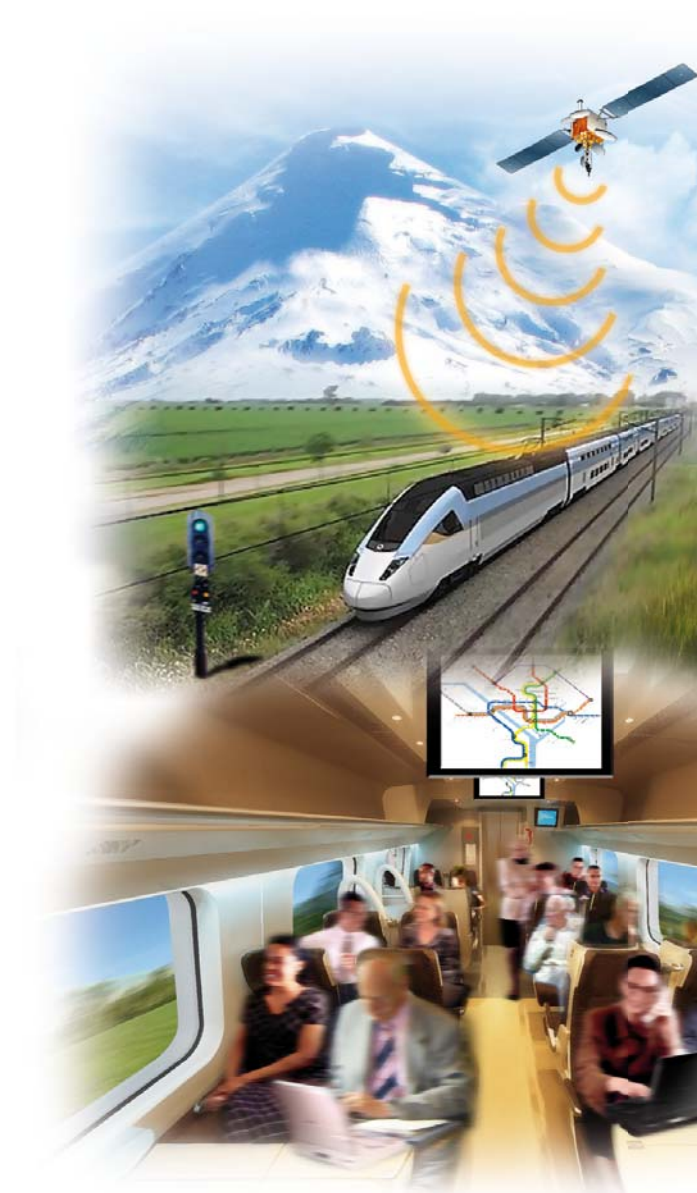
General technical

Mechanical

- Locking system:
screw
- Durability:
500 mating/unmating cycles
- Vibration resistance:
 $A=25/f - 1 \text{ Hz} < f < 10 \text{ Hz}$
 $A=250/f - 10 \text{ Hz} < f < 100 \text{ Hz}$
For other requirements, consult us
- Shock:
 $\pm 3g$ IEC 68-2-27
- Coding:
 - Removable coding system enables the operator to choose between 12 different key orientations (delivered in position 1)
 - Both male & female insulators can fit in either the plugs or the receptacles
- Compliant to NFF 61030

Environmental

- Temperature range:
 -40°C to $+100^{\circ}\text{C}$
- Dry heat test:
 100°C for 96 hours
- Salt spray resistance:
500 hours
- Sealing:
IP66 and IP67 (with adapted backshell)
- Damp heat:
21 days, $+40^{\circ}\text{C}$, 90% relative humidity (NFC 20703)





characteristics



Material

- Shell:
Aluminium alloy
- Conductive shell plating
500 hours salt spray resistant
- Insulator:
Hard thermoplastic in accordance with NFF16101-16102 exigence I2F3 (Fire & smoke emissions) for installations on equipments category A1
UL94-V0
- Contacts:
Copper alloy, silver or gold plated
Crimp type

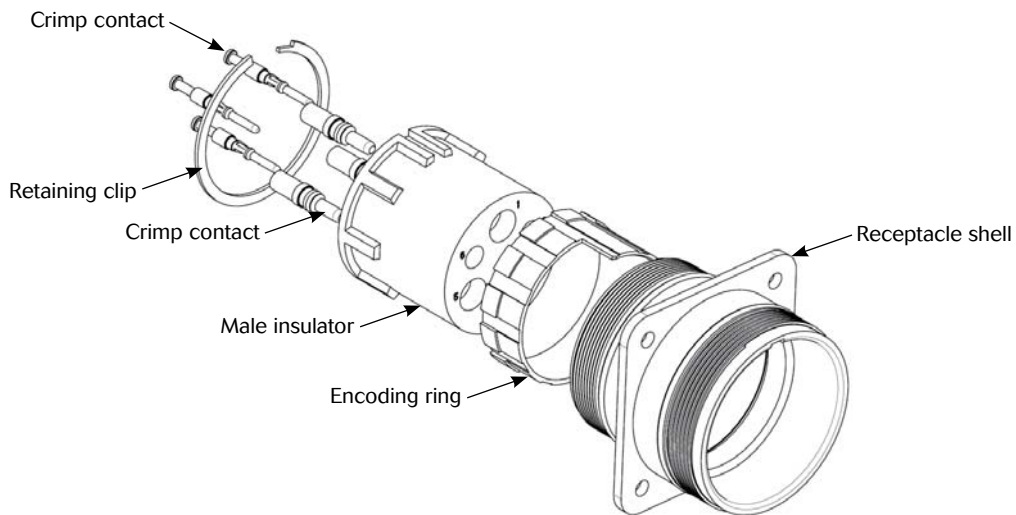
Electrical

- Contacts resistance, following NFF 61030:
Contact Ø2 mm: $\leq 2 \text{ m}\Omega$ max
Quadrax Contacts #20: $\leq 6 \text{ m}\Omega$, $\leq 2 \text{ m}\Omega$ (cell)
- Withstanding voltage:
Contact Ø2 mm: 3250 V
Quadrax between contacts #20: $\geq 1000 \text{ V}$
Quadrax between cell / contacts #20: $\geq 500 \text{ V}$
- Insulation resistance:
Contact Ø2 mm: $\geq 5000 \text{ m}\Omega$ (under 500Vcc)
Quadrax: $\geq 3000 \text{ m}\Omega$ (contacts #20)
- Cable sections:
Quadrax line contacts: 0.21 - 0.93 mm²
Contact Ø2 mm: 0.5 - 1.5 mm²
- Service voltage per layout:
500Vcc / 380 Vac following NFF 61030

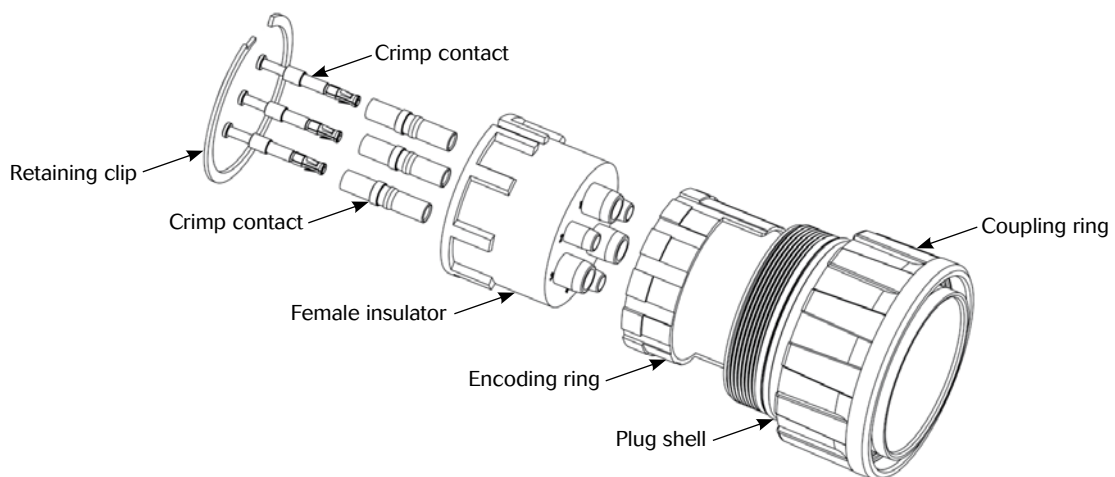


Description

Receptacle



Plug



838 Series Overview



838 layouts overview

Size E

E-01



1 Twinax contact
120 Ω

E-07



7 Contacts
Ø2 mm

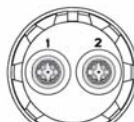
E-09



9 Contacts
Ø2 mm

Size C

C-02



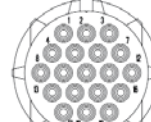
2 Quadrax
Ø1 mm

C-05



2 Contacts Ø5 mm
5 Contacts Ø2 mm

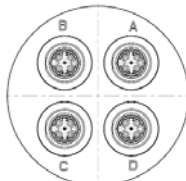
C-19



19 Contacts
Ø2 mm

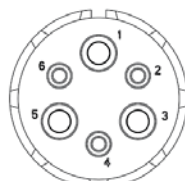
Size J

J-04



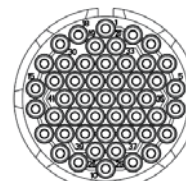
4 Quadrax
Ø1 mm

J-06



3 Contacts Ø3 mm
3 Contacts Ø5 mm

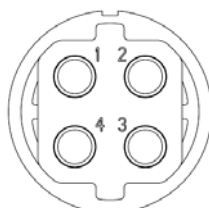
J-49



49 Contacts
Ø1.6 mm

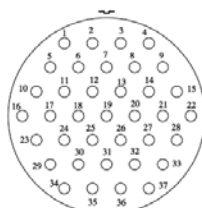
Size B

B-04



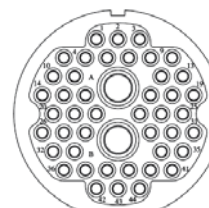
4 Contacts
Ø12 mm

B-37



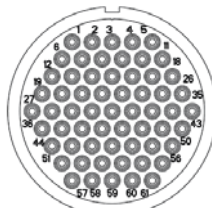
37 Contacts
Ø3 mm

B-45



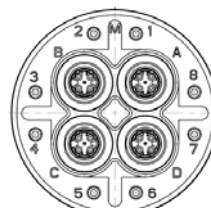
44 Contacts Ø2 mm
2 Twinax 105 Ω

B-61



61 Contacts
Ø2 mm

B-4A8



4 Quadrax Ø1 mm
8 Contacts Ø2 mm

Vues avant insert male

838 Series Overview



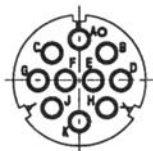
838 heating curves

Test conditions:

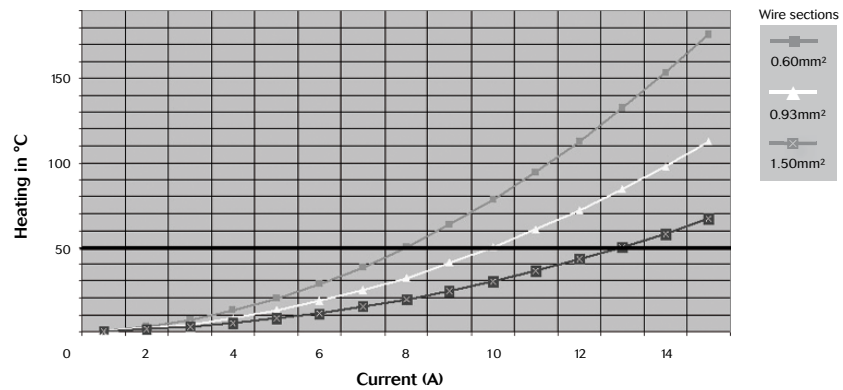
- Current per contact
- All contacts loaded
- Max heating in C° allowed following NFF 61030: 50°C

Size E

E-07

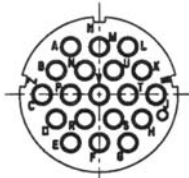


7 Contacts
Ø2 mm (#20)

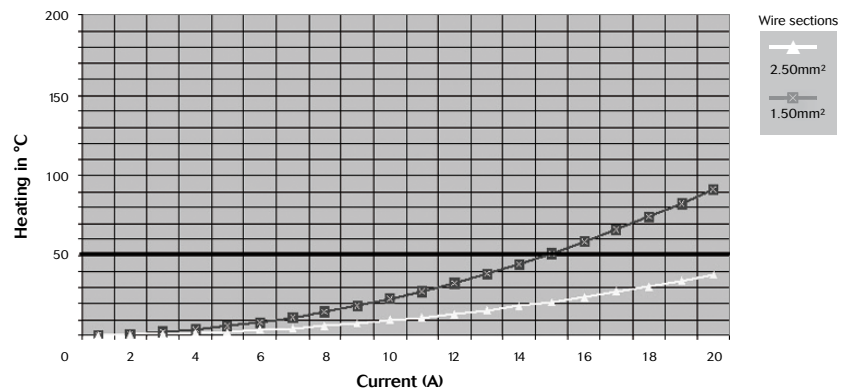


Size C

C-19

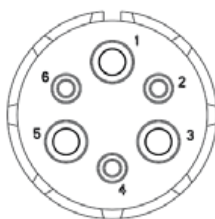


19 Contacts
Ø2 mm (#20)

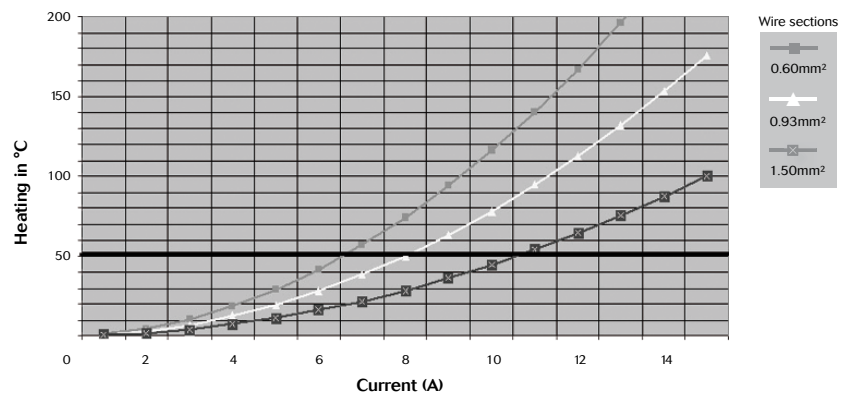


Size J

J-06



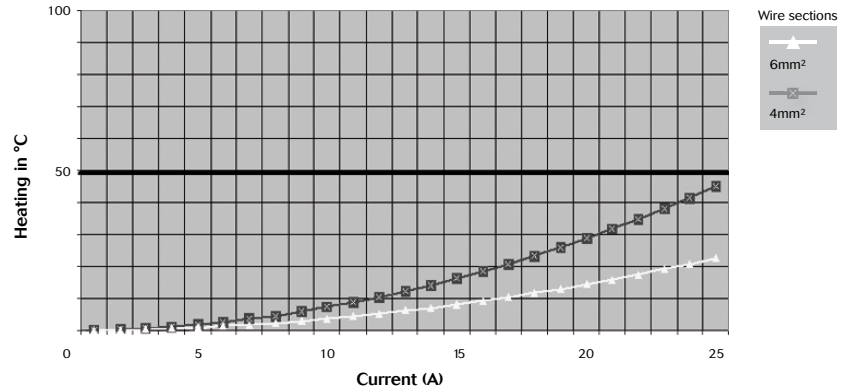
3 Contacts Ø3 mm (#8)
3 Contacts Ø5 mm (#8)



838 Series Overview



Size B



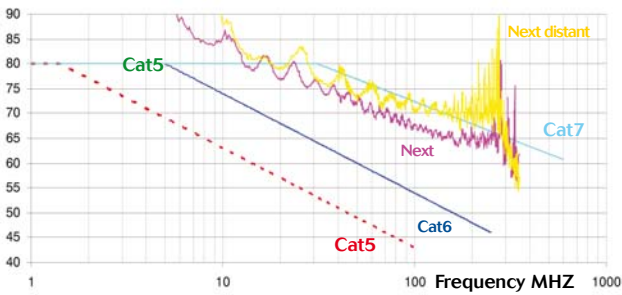
Data transmission performances

Tests following IEC 11-801
For cabling specifications please contact us.

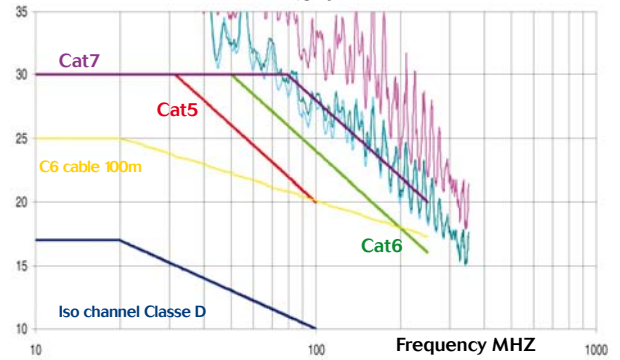
E-09

Standard version with 4 contacts #20: Cat. 5 - 100 Mbps

Return Loss



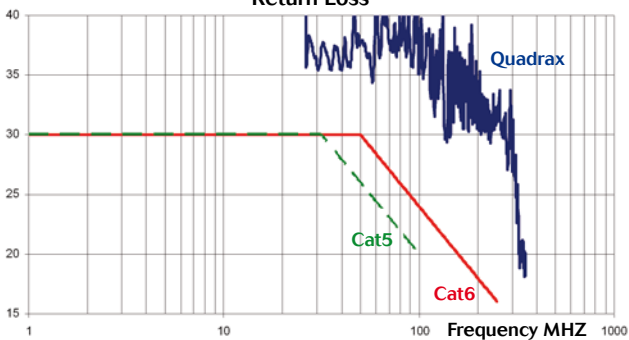
Next



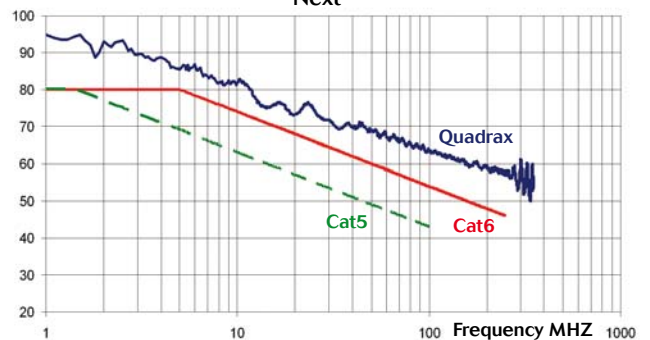
Quadrax-C-02

Quadrax version: Cat. 6 - 1 Gbps

Return Loss



Next





838 Series

Overview



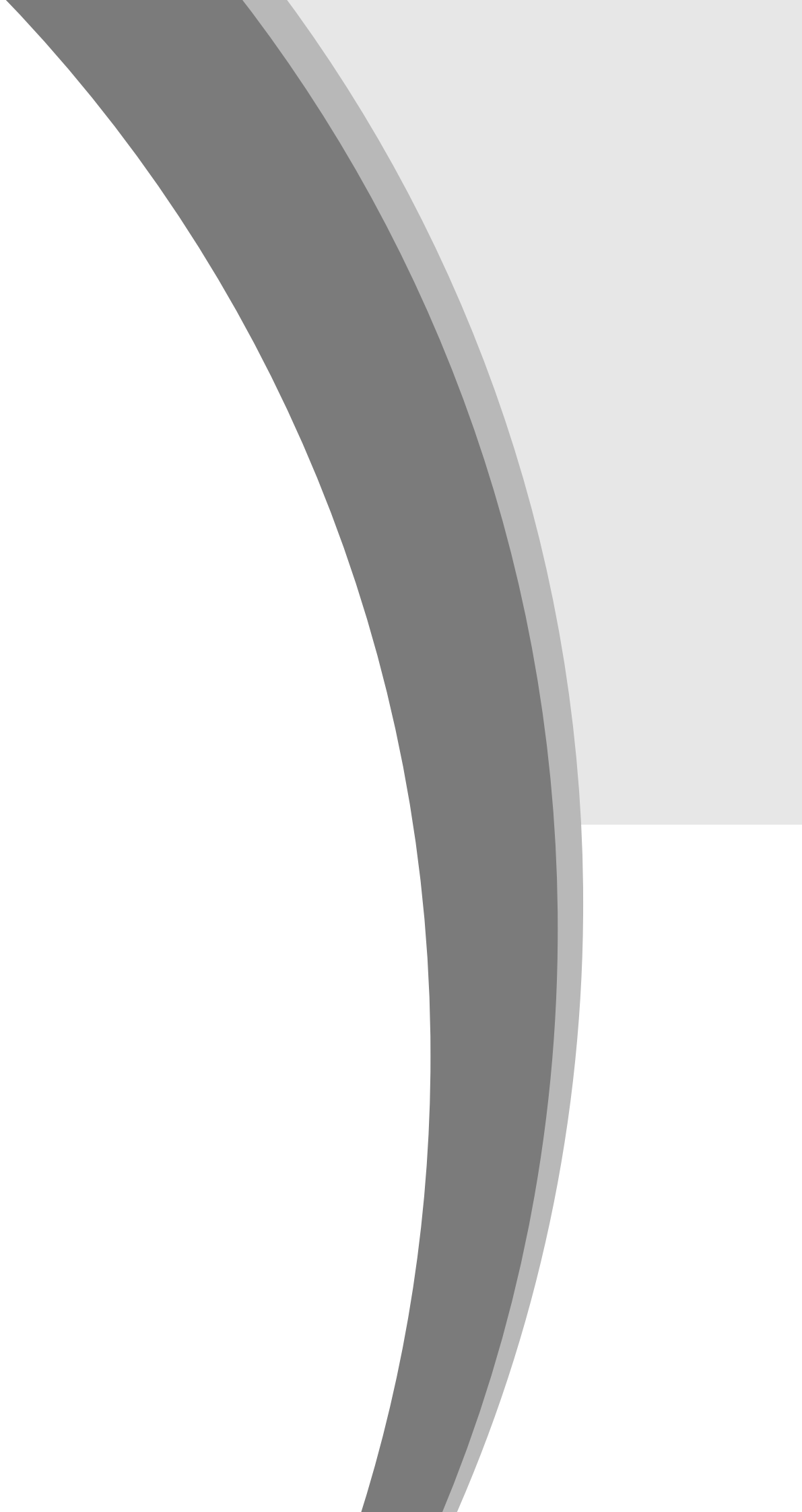
Ordering information

838

Basic series*	838	0	E	1	C	19	5	L	M	0	A
Coupling type:											
0:	Screw coupling with coding option										
2:	Screw coupling without coding option (shell size B only)										
Connector type:											
E:	Receptacle										
F:	Plug										
Shell type:											
0:	Square flange receptacle without panel gasket										
1:	Square flange receptacle with panel gasket										
0:	Plug without clicker locking										
1:	Plug with clicker locking (shell sizes E and C only)										
Shell size:											
E; C; J; B											
Layout:	See page 11										
Contact gender:											
1:	Male crimp contact										
5:	Female crimp contact										
Contact type:											
L:	Connector supplied without contact 										
B to U:	Connector supplied with contacts (see page ?)										
Backshell type:											
G:	Straight backshell for PMA conduit (shell sizes E and C)										
M:	Without backshell, nor accessories										
N:	Boot (shell sizes E and C)										
R:	Receptacle assembled on 30°										
S:	Straight backshell with sealing gland and backshell for PMA flexible tube (shell sizes B only)										
V:	Straight backshell with sealing gland (shell sizes E and C)										
W:	Straight backshell with cable clamp and sealing gland										
T:	Backshell with low profile sealing gland 										
U:	Backshell T type with shielding termination										
Z:	Backshell for shielding termination										
Index:											
Backshell specification	see table page ?										
Insert:											
A:	Thermoplastic insert										

*Delivered without contact

838 series



838 Series

Mechanics

■ Shell size E	18
■ Shell size C	28
■ Shell size J	38
■ Shell size B	44
■ Cap for receptacle	57
■ Dummy receptacle	57






838 Series

Shell size E



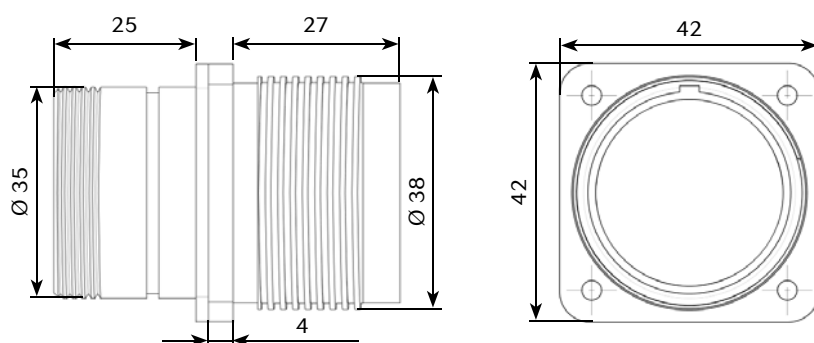
Receptacle

Layout	Connector type	Specification	Part number*
 E-01	Receptacle	With panel seal	8380E1E011LM0A
 E-07	Receptacle	With panel seal	8380E1E071LM0A
		Without panel seal	8380E0E071LM0A
 E-09	Receptacle	With panel seal	8380E1E091LM0A
			8380E1E095LM0A
		Without panel seal	8380E0E091LM0A
			8380E0E095LM0A

*: Connector delivered without contact



Shell






838 Series

Shell size E

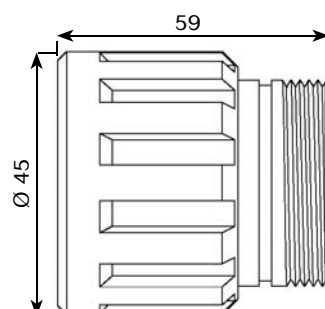


Plug

Layout	Connector type	Specification	Part number*
 E-01	Plug	Without clicker locking	8380F0E015LM0A
 E-07	Plug	With clicker locking	8380F1E071LM0A
		Without clicker locking	8380F0E071LM0A
 E-09	Plug	With clicker locking	8380F1E091LM0A
		Without clicker locking	8380F0E091LM0A

*: Connector delivered without contact

Shell



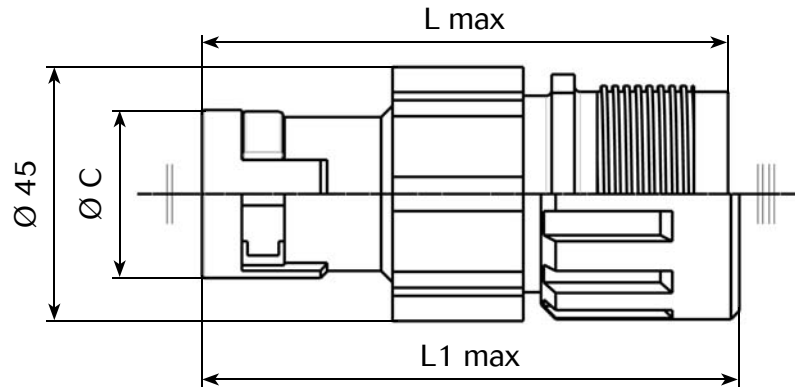
838 Series

Shell size E



Backshells

G type - Straight backshell for PMA



PMA conduit	L	L1	Ø C (Cable)		Contacts part number ⁽¹⁾		Layout	Part number ⁽²⁾			
			mini	maxi	Male	Female		Receptacle	Plug		
NW12	89	91	-	17.7	8380-722	8380-725	E-07	-	8380F1E071BG2A		
								-	8380F0E075BG2A		
								8380E1E071BG2A	8380F1E075BG2A		
NW23	102	104	-	30.5	8380-970	-	E-07	-	8380F0E071HG3A		
					-	8380-725		-	8380F0E075BG3A		
					8380-970	8380-973		8380E1E075HG3A	8380F0E075HG3A		
					8380-722	8380-725	E-09	8380E1E071BG3A	8380F1E075BG3A		
					8380-722	8380-725		-	8380F0E095BG3A		
					8380-722	8380-725		8380E1E091BG3A	8380F1E095BG3A		
NW17	96	98	-	23	8380-722	8380-725	E-07	8380E0E071BG7A	8380F0E075BG7A		
								8380E1E071BG7A	8380F1E071BG7A		
								-	8380F1E075BG7A		
							8380E1E095BG7A	-	E-09	-	8380F0E095BG7A
							8380E1E091BG7A	8380F1E095BG7A			
NW29	98	100	-	37	8380-722	8380-725	E-07	8380E1E071BG9A	8380F1E075BG9A		
							E-09	8380E1E091BG9A	8380F1E095BG9A		

(1): for details see page 60

(2): for a specific backshell consult us

*: for coding see page 14

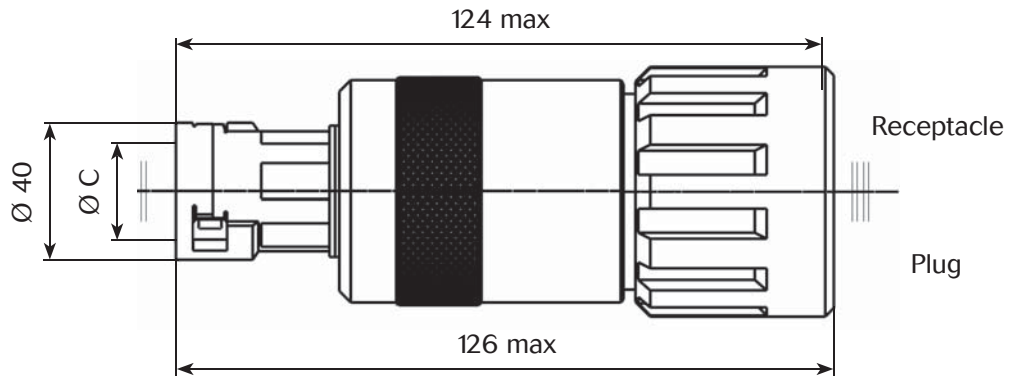
Note: all dimensions are in mm

838 Series

Shell size E



H type - Plug with straight adaptor and backshell for PMA conduit



PMA conduit	Contacts part number ⁽¹⁾		Layout	Part number	
	Male	Female		Receptacle	Plug
NW 17	8380-970	8380-973	E-09	-	8380F0E095BH7A

(1): for details see page 60

(2): for a specific backshell consult us

Note: all dimensions are in mm

838 Series

Shell size E



Backshells

N type - Boot

Ø C (Cable)		Contacts part number ⁽¹⁾		Layout	Part number ⁽²⁾	
mini	maxi	Male	Female		Receptacle	Plug
-	17.3	8380-722	8380-725	E-07	-	8380F0E071BN0A
					-	8380F0E075BN0A
					-	8380F1E071BN0A
					8380E1E071BN0A	8380F1E075BN0A
		8380E1E075BN0A	-			
		8380-722	8380-725	E-09	8380E0E091BN0A	8380F0E095BN0A
					8380E1E091BN0A	8380F1E095BN0A
					8380-970	-
-	8380-725					
8380E1E091HN0A	-					
8380E1E095BN0A	-					

(1): for details see page 60 (2): for a specific backshell consult us *: for coding see page 14

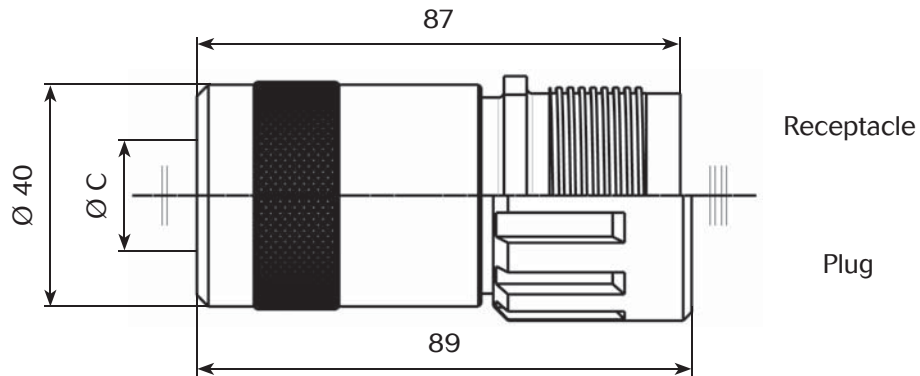
Note: all dimensions are in mm

838 Series

Shell size E



P type - Receptacles and plugs with straight threaded backshell

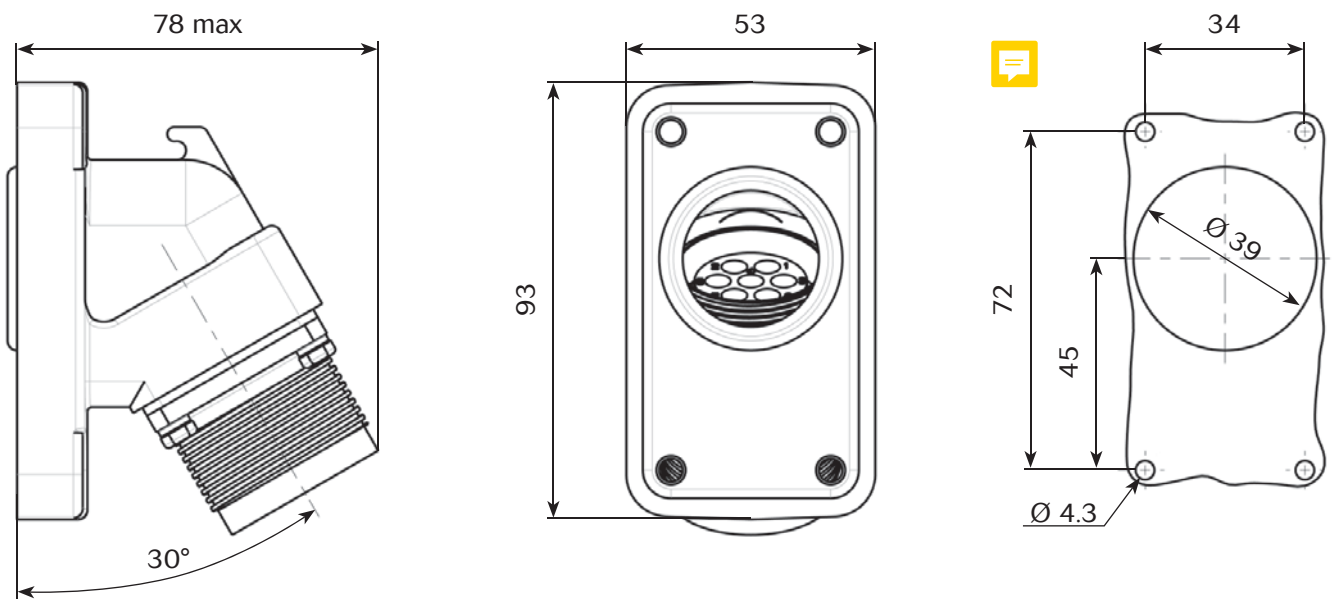


Ø C		Contacts part number ⁽¹⁾		Layout	Part number ⁽²⁾	
M	PG	Male	Female		Receptacle	Plug
-	PG16	8380-722	8380-725	E-07	8380E1E071BP11A	-
M25	-	8380-726	8380-727	E-09	8380E1E091B1P0A	-
		8380-722	8380-725		8380E1E091BP0A	-
-	PG29	8380-722	8380-725		-	8380F1E095BP13A

(1): for details see page 60

(2): for a specific backshell consult us

R type - Elbow



Contacts part number ⁽¹⁾		Layout	Part number ⁽²⁾	
Male	Female		Receptacle	Plug
8380-722	-	E-07	8380E1E071BR0A	-

(1): for details see page 60

(2): for a specific backshell consult us

Note: all dimensions are in mm

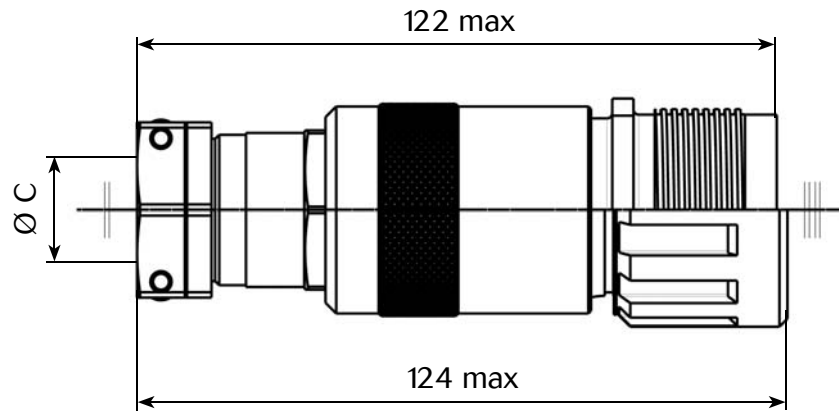
838 Series

Shell size E



Backshells

T type - Sealing gland



Ø C (Cable)		Contacts part number ⁽¹⁾		Layout	Part number ⁽²⁾	
mini	maxi	Male	Female		Receptacle	Plug
12	19	8380-722	8380-725	E-07	-	8380F0E075BT0A
					-	8380F1E071BT0A
					-	8380F1E075BT0A
					-	8380F1E095BT0A
		8380-722	8380-725	E-09	8380E1E091BT2A	8380F1E095BT2A
		-	8380-973		-	8380F1E095HT2A
-	8380-725	8380E1E095BT0A	-			

(1): for details see page 60

(2): for a specific backshell consult us

*: for coding see page 14

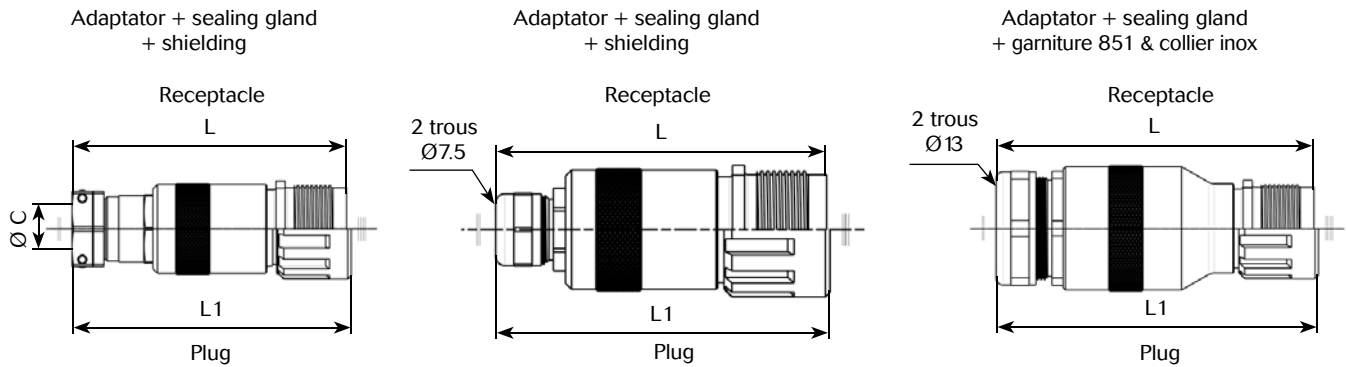
Note: all dimensions are in mm

838 Series

Shell size E



U type - Sealing gland & shielding



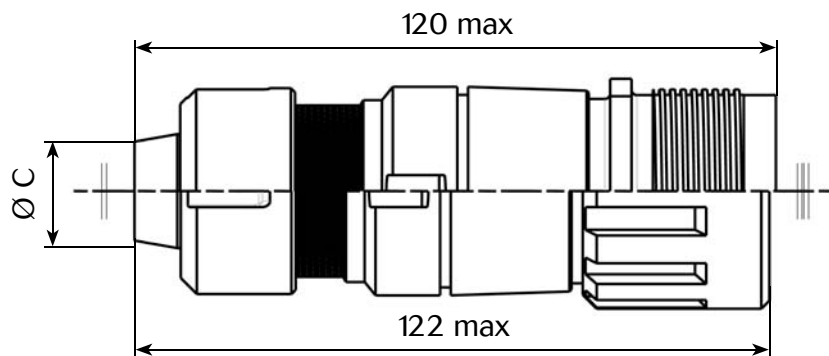
L max	L1 max	Ø C (Cable)		Contacts part number ⁽¹⁾		Layout	Part number ⁽²⁾	
		mini	maxi	Male	Female		Receptacle	Plug
118	120	8.5	12	8380-722	8380-725	E-07	-	8380F1E071BU0A
124	126	12	19				-	8380F1E075BU0A
128	130	19	29.5			E-09	-	8380F1E095BU2A
142	144	Ø13					-	8380F1E095BU3A
110	112	Ø7.5					-	8380F0E095BUB02A
							8380E1E091BUA01A	-

(1): for details see page 60

(2): for a specific backshell consult us

*: for coding see page 14

V type - Sealing gland with ZA SIB-ADR "claw" and shielding



Ø C (Cable)		Contacts part number ⁽¹⁾		Layout	Part number ⁽²⁾	
mini	maxi	Male	Female		Receptacle	Plug
8	11	8380-722	8380-725	E-07	-	8380F1E075BV2A
14.5	17	8380-970	8380-973		-	8380F0E075HV4A
		8380-722	8380-725	E-09	8380E0E091BV4A	-

(1): for details see page 60

(2): for a specific backshell consult us

*: for coding see page 14

Note: all dimensions are in mm

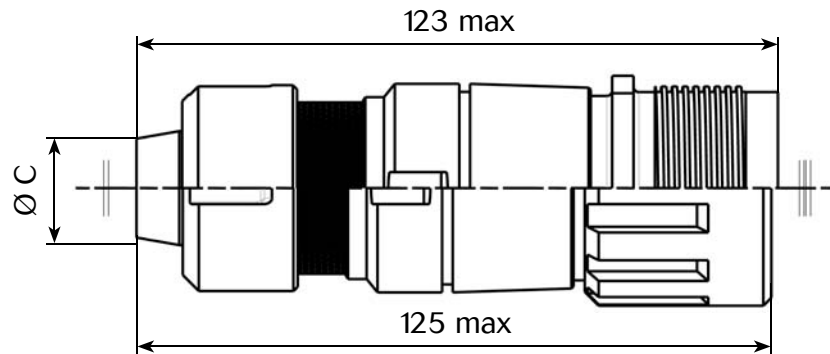
838 Series

Shell size E



Backshells

W type - Straight backshell with sealing gland and cable gland



Ø C (Cable)		Contacts part number ⁽¹⁾		Layout	Part number ⁽²⁾	
mini	maxi	Male	Female		Receptacle	Plug
6	9	8380-1009	8380-1010 8380-1012	E-01	8380E0E011SW3A 8380E1E011SW3A	8380F0E015SW3A
14.5	17	8380-722	8380-725	E-07	8380E0E071BW0A	8380F0E071BW0A
					8380E0E075BW0A	8380F0E075BW0A
8380E1E071BW0A	8380F1E071BW0A					
8380E1E075BW0A	8380F1E075BW0A					
8380E0E071BW1A	8380F0E071BW1A					
-	8380F0E075BW1A					
10.1	13.3	8380-970	-		8380E1E071BW1A	8380F1E071BW1A
			-		8380E1E075BW1A	8380F1E075BW1A
8	11	8380-722	8380-725		-	8380F0E071HW2A
					-	8380F0E075BW2A
6	9	8380-722	8380-725	8380E1E071BW2A	8380F1E075BW2A	
				8380E0E071BW3A	8380F0E071BW3A	
				8380E0E075BW3A	8380F0E075BW3A	
				8380E1E071BW3A	8380F1E071BW3A	
				8380E1E075BW3A	8380F1E075BW3A	

(1): for details see page 60

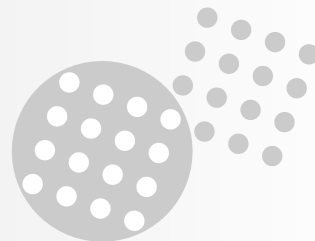
(2): for a specific backshell consult us

*: for coding see page 14

Note: all dimensions are in mm

838 Series

Shell size E



W type - Straight backshell with sealing gland and cable gland (suite)

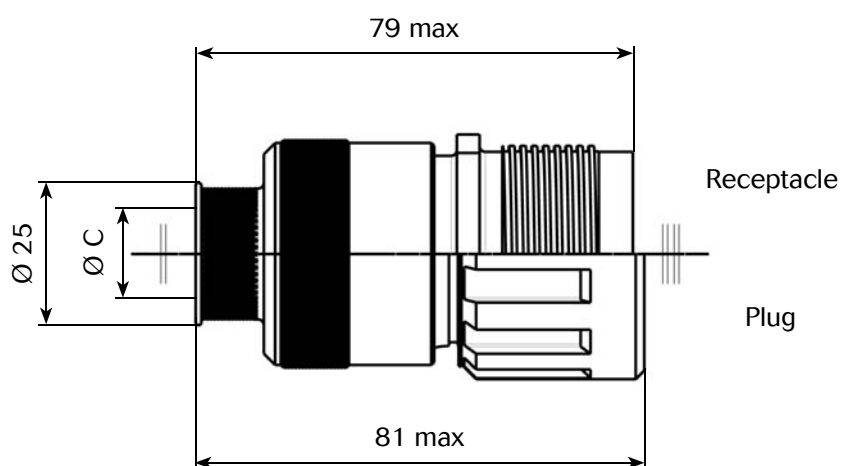
Ø C (Cable)		Contacts part number ⁽¹⁾		Layout	Part number ⁽²⁾	
mini	maxi	Male	Female		Receptacle	Plug
14.5	17	8380-722	8380-725	E-09	-	8380F0E091BW0A
					-	8380F0E095BW0A
		8380-726	-		-	8380F1E091B1W0A
			8380E1E091BW0A		8380F1E091BW0A	
101	13.3	8380-722	8380-725		8380E1E095BW0A	8380F1E095BW0A
					8380E0E091BW1A	8380F0E091BW1A
					8380E0E095BW1A	8380F0E095BW1A
					8380E1E091BW1A	8380F1E091BW1A
					8380E1E095BW1A	8380F1E095BW1A
					8380E0E095BW2A	-
8	11	-	8380-973		8380E1E091BW2A	8380F1E095BW2A
					8380E0E091BW3A	8380F0E095BW3A
6	9	-	8380-973	8380E1E091BW3A	8380F1E091BW3A	
				-	8380F1E095HW0A	

(1): for details see page 60

(2): for a specific backshell consult us

*: for coding see page 14

Z type - Straight backshell for shielding termination



Ø C (Cable)		Contacts part number ⁽¹⁾		Layout	Part number ⁽²⁾	
mini	maxi	Male	Female		Receptacle	Plug
8	11	8380-722	8380-725	E-07	8380E1E071BZ0A	-
				E-09	8380E1E091BZ0A	8380F1E095BZ0A

(1): for details see page 60

(2): for a specific backshell consult us

*: for coding see page 14




Note: all dimensions are in mm

838 Series

Shell size C

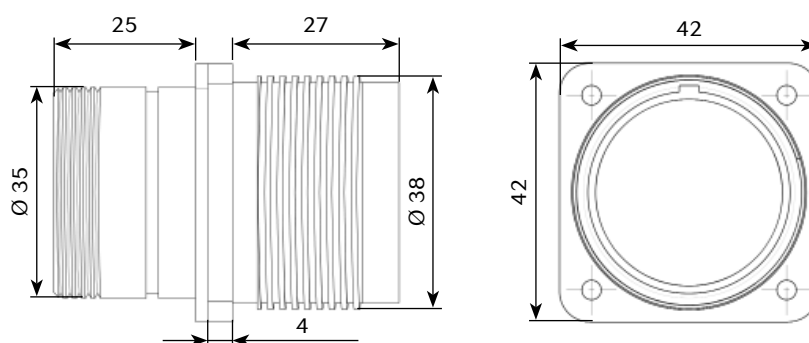


Receptacle

Layout	Connector type	Specification	Contact type	Part number*
 C-02	Receptacle	With panel seal	Male	8380E1C021LM0A
			Female	8380E1C025LM0A
 C-05	Receptacle	With panel seal	Male	8380E1C051LM0A
 C-19	Receptacle	With panel seal	Male	8380E1C191LM0A
			Female	8380E1C195LM0A
		Without panel seal	Male	8380E0C191LM0A
			Female	8380E0C195LM0A

*: Connector delivered without contact

Shell


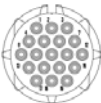


838 Series

Shell size C

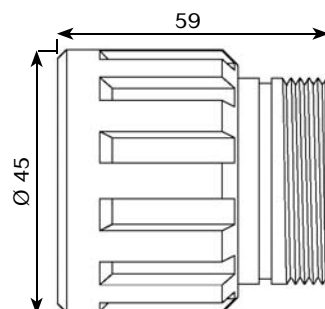


Plug

Layout	Connector type	Specification	Contact type	Part number*
 C-02	Plug	Without clicker locking	Male	8380F0C021LM0A
			Female	8380F0C025LM0A
 C-19	Plug	With clicker locking	Male	8380F1C191LM0A
			Female	8380F1C195LM0A
		Without clicker locking	Male	8380F0C191LM0A
			Female	8380F0C195LM0A

*: Connector delivered without contact

Shell



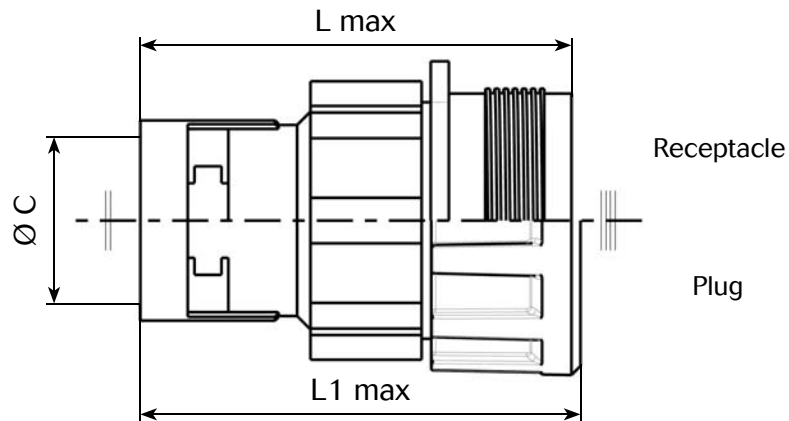
838 Series

Shell size C



Backshells

G type - Straight backshell for PMA



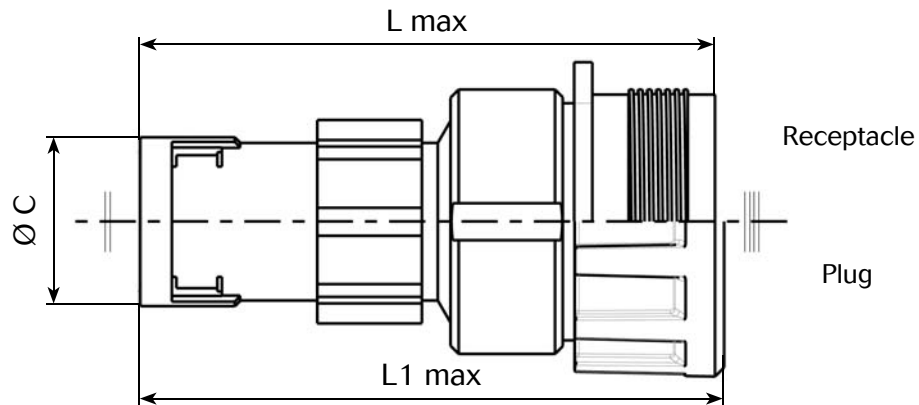
L	L1	Ø C (Cable)		PMA conduit	Contacts part number ⁽¹⁾		Layout	Part number ⁽²⁾	
		mini	maxi		Male	Female		Receptacle	Plug
99	-	-	37	NW29	8380-722 (x3) 8380-728 (x2)	-	C-05	8380E3C051PG9A	-

(1): for details see page 60

(2): for a specific backshell consult us

*: for coding see page 14

With adaptor



L	L1	Ø C (Cable)		PMA conduit	Contacts part number ⁽¹⁾		Layout	Part number ⁽²⁾	
		mini	maxi		Male	Female		Receptacle	Plug
119	120	-	17.7	NW12	8380-722	-	C-19	-	8380F1C191BG2A
131	133	-	30.5	NW23	8380-722	8380-725		8380E1C191BG3A	8380F0C195BG3A
					8380-970	-		8380E1C191HG3A	-
125	127	-	23	NW17	-	8380-725		-	8380F1C191BG7A
					-	-		-	8380F1C195BG7A
99	101	-	37	NW29	8380-722	8380-725		8380E0C191BG9A	8380F0C191BG9A
								-	8380F0C195BG9A
								8380E1C191BG9A	-
								8380E1C195BG9A	8380F1C195BG9A

(1): for details see page 60

(2): for a specific backshell consult us

*: for coding see page 14

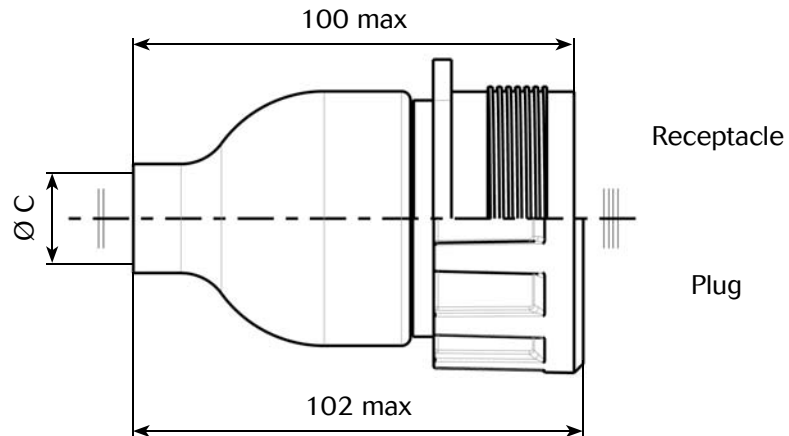
Note: all dimensions are in mm

838 Series

Shell size C



N type - Boot



Ø C (Cable)		Contacts part number ⁽¹⁾		Layout	Part number ⁽²⁾	
mini	maxi	Male	Female		Receptacle	Plug
-	20	8380-722	8380-725	C-19	8380E0C191BN0A	-
					-	8380F0C195BN0A
		8380-726	-		8380E1C191BN0A	-
					8380E1C195BN0A	8380F1C195BN0A
				8380E1C191B1N0A	-	

(1): for details see page 60

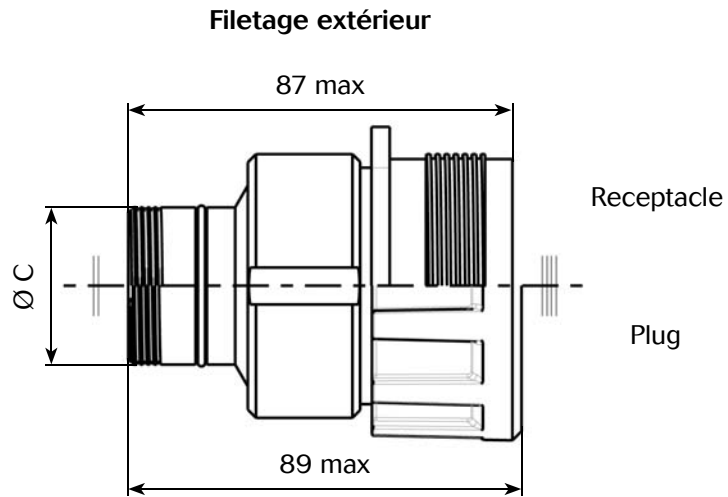
(2): for a specific backshell consult us

*: for coding see page 14



Backshells

P type - Sortie filetage sans raccord

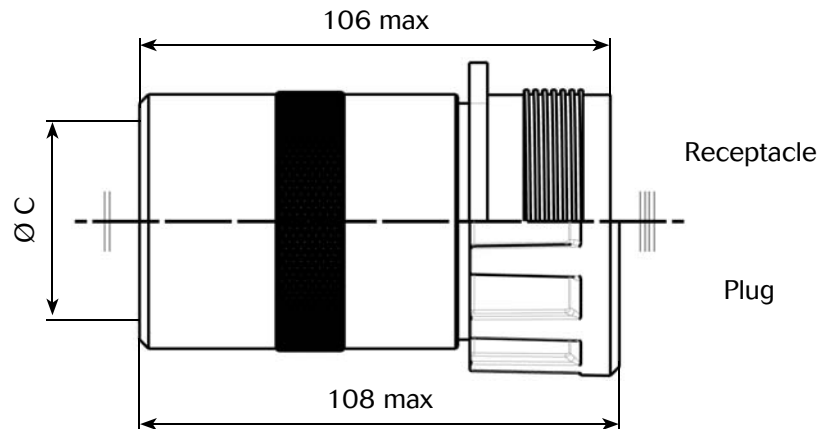


Ø C PMA conduit	Contacts part number ⁽¹⁾		Layout	Part number ⁽²⁾	
	Male	Female		Receptacle	Plug
M35	8380-722	-	C-19	-	8380F0C195BP0A

(1): for details see page 60

(2): for a specific backshell consult us

*: for coding see page 14



Ø C PMA conduit	Contacts part number ⁽¹⁾		Layout	Part number ⁽²⁾	
	Male	Female		Receptacle	Plug
M32	83802035A	-	C-02	8380E1C021R2P1A	-
M20				8380E1C021R2P4A	
PG29	8380-726	8380-727	C-19	8380E0C191B1P13A	8380F0C195B1P13A

(1): for details see page 60

(2): for a specific backshell consult us

*: for coding see page 14

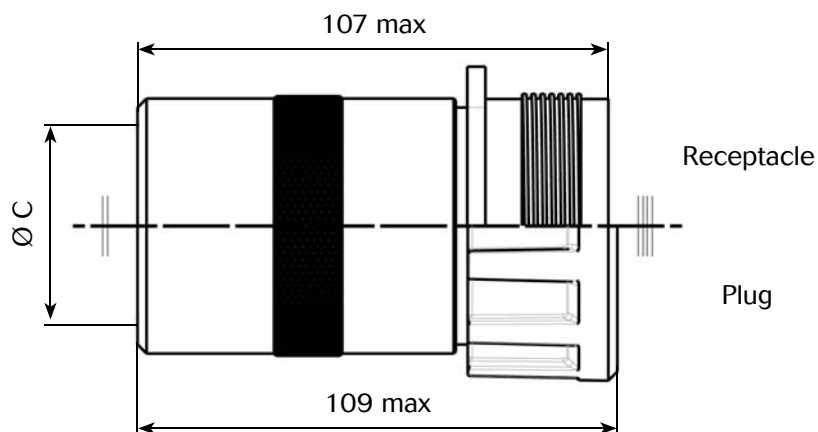
Note: all dimensions are in mm

838 Series

Shell size C



PU type - Sortie filetage sans raccord avec reprise de tresse



Ø C PMA conduit	Contacts part number ⁽¹⁾		Layout	Part number ⁽²⁾	
	Male	Female		Receptacle	Plug
PG29	8380-726	8380-727	C-19	8380E0C191B1PU13A	8380F0C195B1PU13A

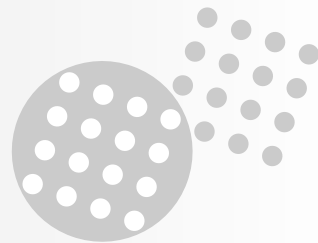
(1): for details see page 60

(2): for a specific backshell consult us

*: for coding see page 14

838 Series

Shell size C



Backshells

R type - Elbow

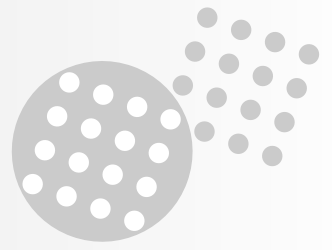
Contacts part number ⁽¹⁾		Layout	Part number ⁽²⁾	
Male	Female		Receptacle	Plug
8380-970	-	C-19	8380E1C191HR0A	-

(1): for details see page 60 (2): for a specific backshell consult us *: for coding see page 14

Note: all dimensions are in mm

838 Series

Shell size C



T type - Sealing gland

Terminaison type	Ø C (Cable)		Contacts part number ⁽¹⁾		Layout	Part number	
	mini	maxi	Male	Female		Receptacle	Plug
Adaptator + sealing gland + shielding 	Ø16		-	8380 2034A	C-02	-	8380F0C025R2TA06A
Adaptator + sealing gland + garniture 851 & collier inox 	Ø16		-	8380 2034A		-	8380F0C025R2TB06A
Adaptator + sealing gland + shielding 	12	19	-	8380 725 (x3) 8380 729 (x2)	C-05	-	8380F0C055PT2A
Adaptator + sealing gland + shielding CM type à amarrage par cone ertalon 	28.8	32	-	8380 973	C-19	-	8380F1C195HT64A
Adaptator + sealing gland + shielding CM type à amarrage par cone ertalon 	23	27	-			-	8380F1C195HT64BA
Adaptator + sealing gland + shielding CM type à amarrage par cone ertalon avec gaine thermo de protection 	28.8	32	-			-	8380F1C195HT74A
Adaptator + sealing gland + shielding CM type à amarrage par cone ertalon avec gaine thermo de protection 	25.5	27	-			-	8380F1C195HT74BA

(1): for details see page 60

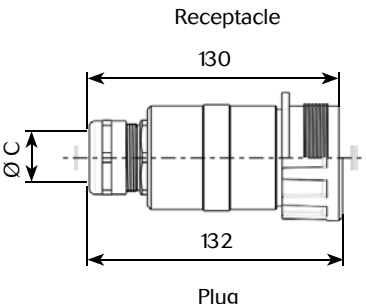
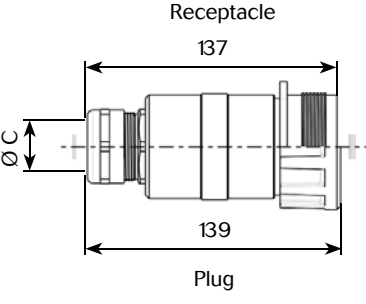
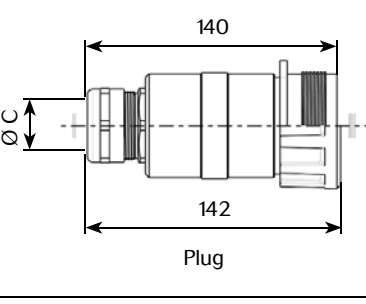
(2): for a specific backshell consult us

*: for coding see page 14

Note: all dimensions are in mm



Backshells

U type - Sealing gland + shielding							
Terminaison type	Ø C (Cable)		Contacts part number ⁽¹⁾		Layout	Part number	
	mini	maxi	Male	Female		Receptacle	Plug
Adaptator + shielding garniture haute 	7	14.5				8380E0C191B1U21A	-
Adaptator + sealing gland + shielding 	16	26	8380 726	-	C-19	-	8380F0C195B1U53A
Adaptator + sealing gland + shielding 	22	34.5				-	8380F0C195B1U54A

(1): for details see page 60

(2): for a specific backshell consult us

*: for coding see page 14

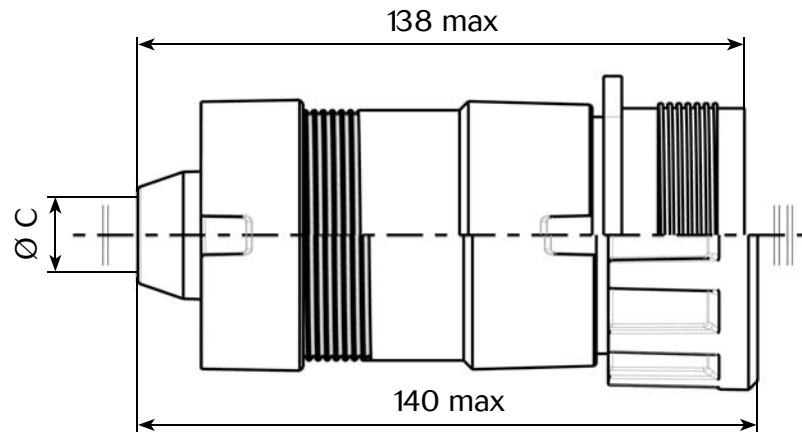
Note: all dimensions are in mm

838 Series

Shell size C



V type - Sealing gland with ZA SIB-ADR "claw" and shielding



Ø C (Cable)		Contacts part number ⁽¹⁾		Layout	Part number ⁽²⁾	
mini	maxi	Male	Female		Receptacle	Plug
17	23	-	8380-729	C-02	-	8380F1C025GV0A
23	30				-	8380F1C025GV1A
23	30	-	8380725 (x3)	C-05	-	8380F0C055PV1A
			8380729 (x2)			
17	23	8380-722	8380-725	C-19	8380E0C191BV0A	8380F0C191BV0A
					8380E0C195BV0A	8380F0C195BV0A
					8380E1C191BV0A	8380F1C191BV0A
					8380E1C195BV0A	8380F1C195BV0A
23	30	-	8380-973	C-19	-	8380F0C195BV1A
					-	8380F1C191BV1A
					8380E1C195BV1A	8380F1C195BV1A
					-	8380F1C195HV1A

(1): for details see page 60

(2): for a specific backshell consult us

*: for coding see page 14

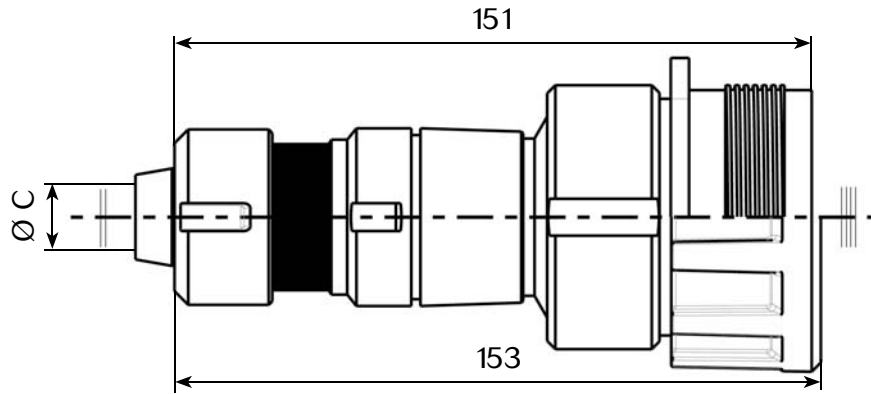
Note: all dimensions are in mm

838 Series

Shell size C



W type - Straight backshell with sealing gland and cable gland



Ø C (Cable)		Contacts part number ⁽¹⁾		Layout	Part number ⁽²⁾	
mini	maxi	Male	Female		Receptacle	Plug
14.5	17	8380-722	8380-725	C-19	8380E0C191BW0A	-
					8380E0C195BW0A	8380F0C195BW0A
					8380E1C191BW0A	8380F1C191BW0A
					8380E1C195BW0A	8380F1C195BW0A
10.1	13.3				8380E0C191BW1A	-
					-	8380F0C195BW1A
					8380E1C191BW1A	8380F1C191BW1A
					-	8380F1C195BW1A
8	9	8380E0C191BW2A	8380F0C191BW2A			
		-	8380F0C195BW2A			
6	9	-	8380F1C195BW2A			
		8380E0C195BW3A	8380F0C195BW3A			

(1): for details see page 60

(2): for a specific backshell consult us

*: for coding see page 14

838 Series

Shell size C



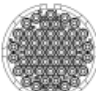


838 Series

Shell size J

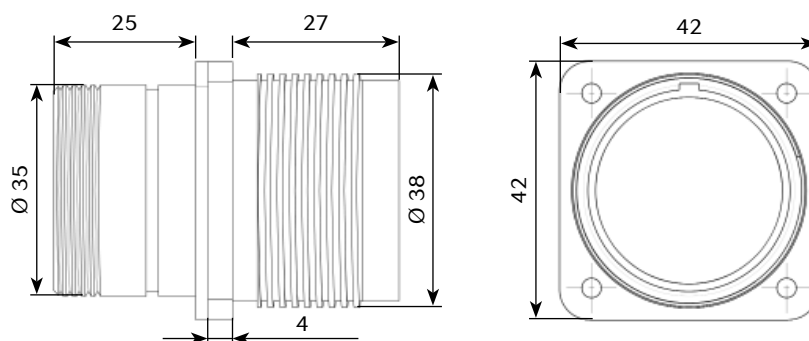


Receptacle

Layout	Contact type	Specification	Contact type	Part number*
 J-04	4 Quadrax Ø1 mm	With panel seal	Male	8380E1J041LM0A
			Female	8380E1J045LM0A
 J-06	3 Contacts Ø3 mm 3 Contacts Ø5 mm	With panel seal	Male	8380E1J061LM0A
			Female	8380E1J065LM0A
		Without panel seal	Male	8380E0J061LM0A
			Female	8380E0J065LM0A
 J-49	49 Contacts Ø1.6 mm	With panel seal	Male	8380E1J491LM0A
			Female	8380E1J495LM0A
		Without panel seal	Male	8380E0J491LM0A
			Female	8380E0J495LM0A

*: Connector delivered without contact

Shell



Note: all dimensions are in mm

838 Series

Shell size J

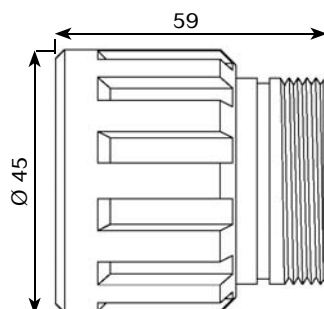


Plug

Layout	Contact type	Specification	Contact type	Part number*
 J-04	4 Quadrax Ø1 mm	Without clicker locking	Male	8380F0J041LM0A
			Female	8380E1J045LM0A
 J-06	3 Contacts Ø3 mm 3 Contacts Ø5 mm	Without clicker locking	Male	8380E1J061LM0A
			Female	8380E1J065LM0A
 J-49	49 Contacts Ø1.6 mm	Without clicker locking	Male	8380F0J491LM0A
			Female	8380F0J495LM0A

*: Connector delivered without contact

Shell



Note: all dimensions are in mm



Backshells

P type - Sortie filetage sans raccord

Contacts part number ⁽¹⁾		Layout	Part number ⁽²⁾	
Male	Female		Receptacle	Plug
83802035A	-	J-04	8380E1J041R4P1A	-

(1): for details see page 60 (2): for a specific backshell consult us *: for coding see page 14

PU type - Sortie filetage sans raccord avec reprise de tresse

PMA conduit	Contacts part number ⁽¹⁾		Layout	Part number ⁽²⁾	
	Male	Female		Receptacle	Plug
M32	RM16M23K	-	J-04	8380E0J491TPU1A	-
PG29	RM16M23K	-	J-49	8380E0J491TPU13A	-
PG36	-	RC16M23K		-	8380F0J495TPU14A

(1): for details see page 60 (2): for a specific backshell consult us *: for coding see page 14

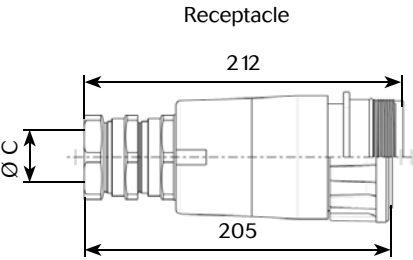
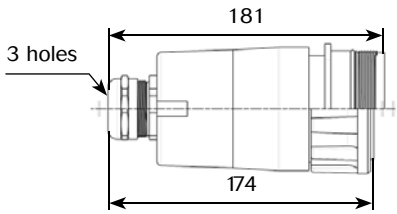
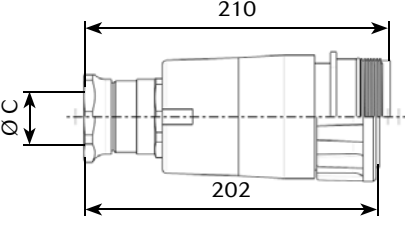
Note: all dimensions are in mm

838 Series

Shell size J



T type - Sealing gland

Terminaison type	Ø C (Cable)		Contacts part number ⁽¹⁾		Layout	Part number	
	mini	maxi	Male	Female		Receptacle	Plug
Adaptator + sealing gland + shielding CM type à amarrage par cone ertalon avec gaine thermo de protection Receptacle  Plug	25.5	30	-	83802034A	J-04	-	8380F0J04 5R3T74A (3 quadrax + 1 dummy contact)
			-	-		8380F0J04 5R4T74A (4 quadrax)	
Adaptator + sealing gland Receptacle  Plug	5.8	9.5	83801365 (x3)	-	J-06	8380E1J06 1PTA01A	-
			-	8380728 (x3)			-
Adaptator + sealing gland + griffe Receptacle  Plug	22	35	-	8380-1366 (x3)	J-06	-	8380F0J06 5PT15A
			-	8380-729 (x3)			-

(1): for details see page 60

(2): for a specific backshell consult us

*: for coding see page 14

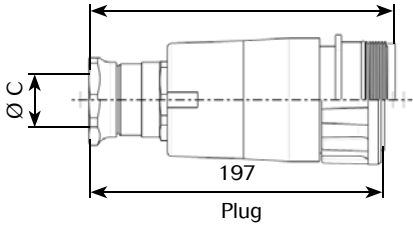
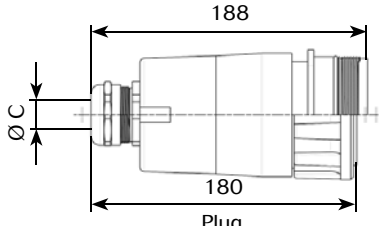
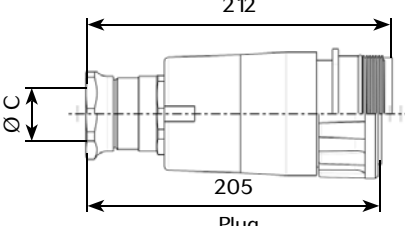
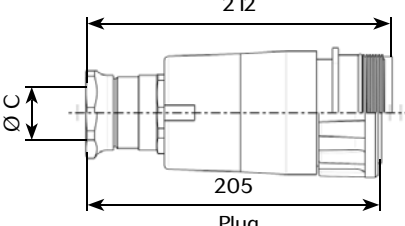
Note: all dimensions are in mm

838 Series

Shell size C



Backshells

T type - Sealing gland (suite)							
Terminaison type	Ø C (Cable)		Contacts part number ⁽¹⁾		Layout	Part number	
	mini	maxi	Male	Female		Receptacle	Plug
Adaptator + sealing gland + griffe Receptacle 204  Plug	22	30	-	RC16M23K	J-49	-	8380F0J49 5TT14A
Adaptator + sealing gland garniture haute Receptacle 188  Plug	14	24	RM16M23K	-		8380E1J49 1TT43A	-
Adaptator + sealing gland + shielding CM type à amarrage par cone ertal Receptacle 212  Plug	23	27	-	RC16M23K		-	8380F0J49 5TT64BA
Adaptator + sealing gland + shielding CM type à amarrage par cone ertalon avec gaine thermo de protection Receptacle 212  Plug	23	28	-	RC16M23K		-	8380F0J49 5TT74BA

(1): for details see page 60

(2): for a specific backshell consult us

*: for coding see page 14

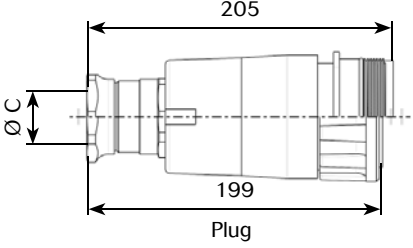
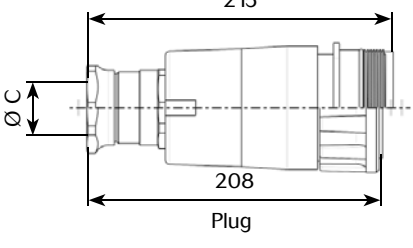
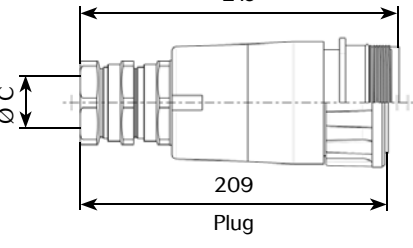
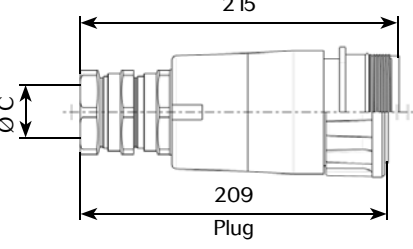
Note: all dimensions are in mm

838 Series

Shell size C



U type - Sealing gland & shielding

Terminaison type	Ø C (Cable)		Contacts part number ⁽¹⁾		Layout	Part number	
	mini	maxi	Male	Female		Receptacle	Plug
Adaptator + sealing gland + griffe Receptacle 205  Plug	22	30	-	RC16M23K	J-49	-	8380F0J49 5TU14A
Adaptator + sealing gland + griffe Receptacle 215  Plug	32	40	RM16M23K	RC16M23K		8380E1J49 5TU16A	8380F0J49 5TU16A
Adaptator + sealing gland + shielding CM type à amarrage par cone ertal Receptacle 215  Plug	30	35	-	RC16M23K		-	8380F0J49 5TU65A
Adaptator + sealing gland + shielding CM type à amarrage par cone ertalon avec gaine thermo de protection Receptacle 215  Plug	29	36	-	RC16M23K		-	8380F0J49 5TU75A

(1): for details see page 60

(2): for a specific backshell consult us

*: for coding see page 14

Note: all dimensions are in mm

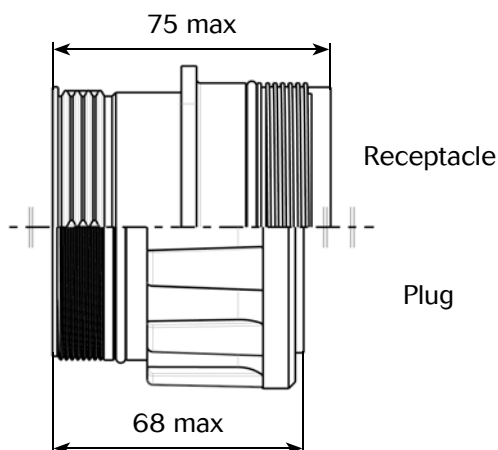
838 Series

Shell size J



Backshells

Z type - Straight backshell for shielding termination



Contacts part number ⁽¹⁾		Layout	Part number ⁽²⁾	
Male	Female		Receptacle	Plug
RM16M23K	-	J-49	8380E1J491TZ0A	-

(1): for details see page 60

(2): for a specific backshell consult us

*: for coding see page 14

Note: all dimensions are in mm

838 Series

Shell size J



838 Series

Shell size B



Receptacle

Layout	Détrompage	Specification	Contact type	Part number*
 B-04	With	With panel seal	Male	8380E1B041LM0A
			Female	8380E1B045LM0A
		Without panel seal	Male	8380E0B041LM0A
			Female	8380E0B045LM0A
	Without	With panel seal	Male	8382E1B041LM0A
			Female	8382E1B045LM0A
Without panel seal		Male	8382E0B041LM0A	
		Female	8382E0B045LM0A	
 B-37	With	With panel seal	Male	8380E1B371LM0A
			Female	8380E1B375LM0A
		Without panel seal	Male	8380E0B371LM0A
			Female	8380E0B375LM0A
	Without	With panel seal	Male	8382E1B371LM0A
			Female	8382E1B375LM0A
		Without panel seal	Male	8382E0B371LM0A
			Female	8382E0B375LM0A
 B-44	With	With panel seal	Male	8380E1B451LM0A
			Female	8380E1B455LM0A
		Without panel seal	Male	8380E0B451LM0A
			Female	8380E0B455LM0A
	Without	With panel seal	Male	8382E1B451LM0A
			Female	8382E1B455LM0A
		Without panel seal	Male	8382E0B451LM0A
			Female	8382E0B455LM0A



*: Connector delivered without contact

838 Series

Shell size B

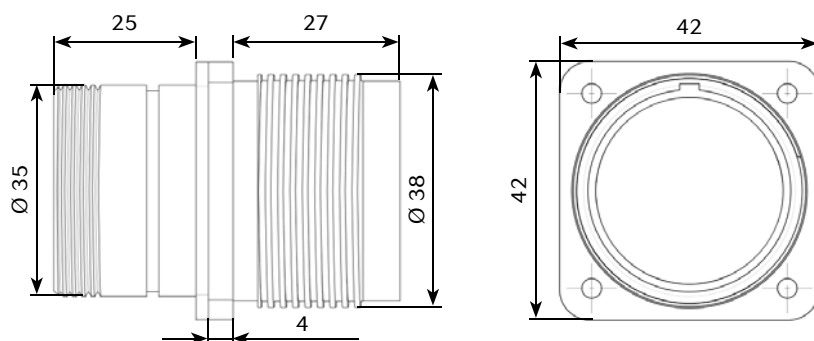


Receptacle

Layout	Détrompage	Specification	Contact type	Part number*
 B-61	With	With panel seal	Male	8380E1B611LM0A
			Female	8380E1B615LM0A
		Without panel seal	Male	8380E0B611LM0A
			Female	8380E0B615LM0A
	Without	With panel seal	Male	8382E1B611LM0A
			Female	8382E1B615LM0A
Without panel seal		Male	8382E0B611LM0A	
		Female	8382E0B615LM0A	
 B-4A8	-	With panel seal	Male	8380E1B4A81LM0A
			Female	8380E1B4A85LM0A

*: Connector delivered without contact

Shell






838 Series

Shell size B



Plug

Layout	Détrompage	Specification	Contact type	Part number*
 B-04	With	Without clicker locking	Male	8380F0B041LM0A
			Female	8380F0B045LM0A
	Without	Without clicker locking	Male	8382F0B041LM0A
			Female	8382F0B045LM0A
 B-37	With	Without clicker locking	Male	8380F0B371LM0A
			Female	8380F0B375LM0A
	Without	Without clicker locking	Male	8382F0B371LM0A
			Female	8382F0B375LM0A
 B-44	With	With panel seal	Male	8380F0B451LM0A
			Female	8380F0B455LM0A
	Without	With panel seal	Male	8382F0B451LM0A
			Female	8382F0B455LM0A



*: Connector delivered without contact

838 Series

Shell size B

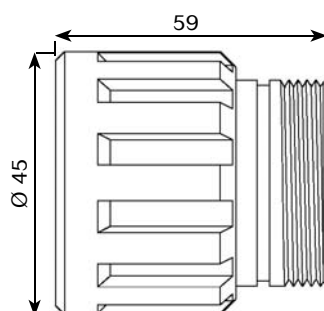


Plug

Layout	Détrompage	Specification	Contact type	Part number*
 B-61	With	Without clicker locking	Male	8380F0B611LM0A
			Female	8380F0B615LM0A
	Without	Without clicker locking	Male	8382F0B611LM0A
			Female	8382F0B615LM0A
 B-4A8	-	Without clicker locking	Male	8380F0B4A81LM0A
			Female	8380F0B4A85LM0A

*: Connector delivered without contact

Shell



838 Series

Shell size B



Backshells

P type - Sortie filetage sans raccord

PMA conduit	Contacts part number ⁽¹⁾		Layout	Part number ⁽²⁾	
	Male	Female		Receptacle	Plug
PG29	8380-726	-	B-61	8380E0B611B1P13A	-
PG36	-	8380-727		-	8380F0B615B1P14A

(1): for details see page 60 (2): for a specific backshell consult us *: for coding see page 14

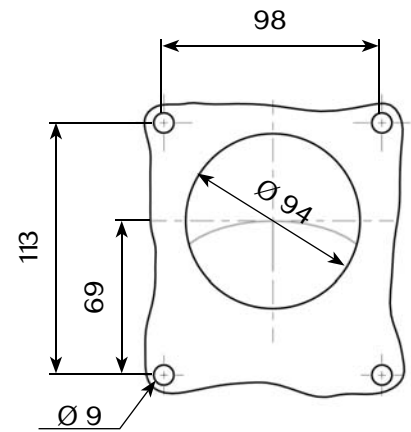
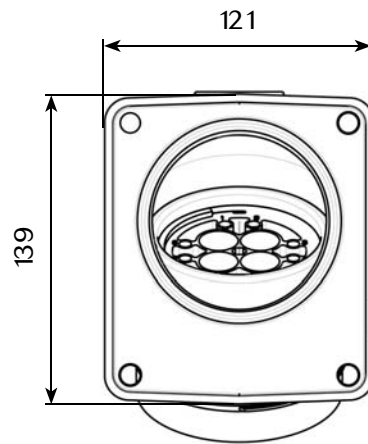
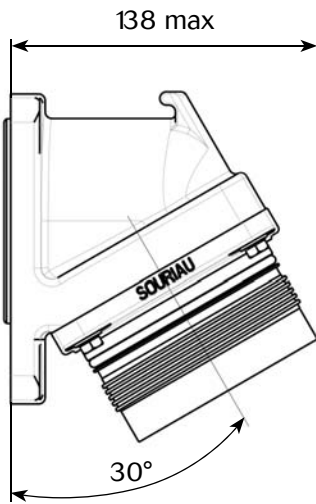
Note: all dimensions are in mm

838 Series

Shell size B



R type - Elbow



Contacts part number ⁽¹⁾		Layout	Part number ⁽²⁾	
Male	Female		Receptacle	Plug
8380-716	-	B-37	8380E1B371FR0A	-
8380-722	-	B-61	8380E0B611BR0A	-
			8380E1B611BR0A	-
83802035A (x4)	-	B-4A8	8380E1B4A81PR0A	-
8380-722 (x8)				

(1): for details see page 60

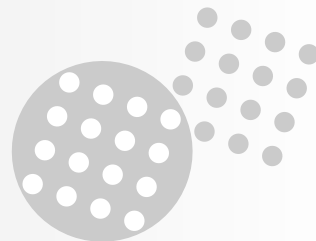
(2): for a specific backshell consult us

*: for coding see page 14

Note: all dimensions are in mm

838 Series

Shell size B



Backshells

T type - Sealing gland								
Terminaison type	PMA conduit	Ø C (Cable)		Contacts part number ⁽¹⁾		Layout	Part number	
		mini	maxi	Male	Female		Receptacle	Plug
Adaptator + sealing gland + shielding 214 	PG36	24	33	-	8380-725	B-61	-	8380F0B61 5BT4A
Adaptator + sealing gland + shielding CM type à amarrage par cone ertalon 229 	PG36	25.5	30	-	8380-727		-	8380F0B61 5B1T64A
Adaptator + sealing gland + shielding CM type à amarrage par cone ertalon avec gaine thermo de protection 229 	PG42	31	36	-	8380-725		-	8380F0B61 5BT65A
	PG36	28.8	32	-	8380-725		-	8380F0B61 5BT74A
					-		8380-973	-
Adaptator + sealing gland + shielding CM type à amarrage par cone ertalon avec gaine thermo de protection 232 	PG42	31	36	-	8380-725	-	8380F0B61 5BT75A	

(1): for details see page 60

(2): for a specific backshell consult us

*: for coding see page 14

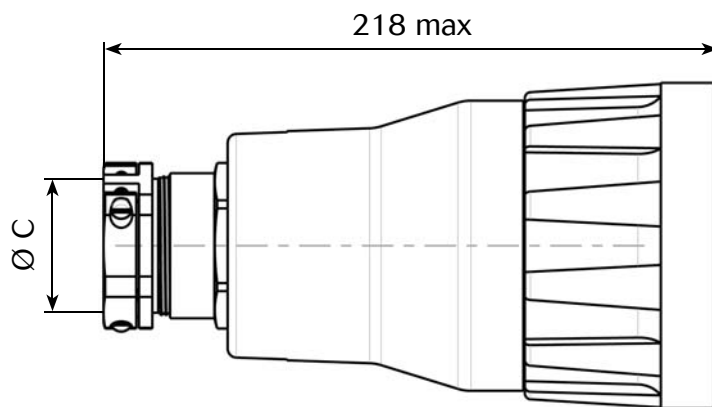
Note: all dimensions are in mm

838 Series

Shell size B



U type - Sealing gland + shielding



Ø C (Cable)		PMA conduit	Contacts part number ⁽¹⁾		Layout	Part number ⁽²⁾	
mini	maxi		Male	Female		Receptacle	Plug
24	33	PG36	-	8380-725	B-61	-	8380F0B615BU4A

(1): for details see page 60

(2): for a specific backshell consult us

*: for coding see page 14

Note: all dimensions are in mm

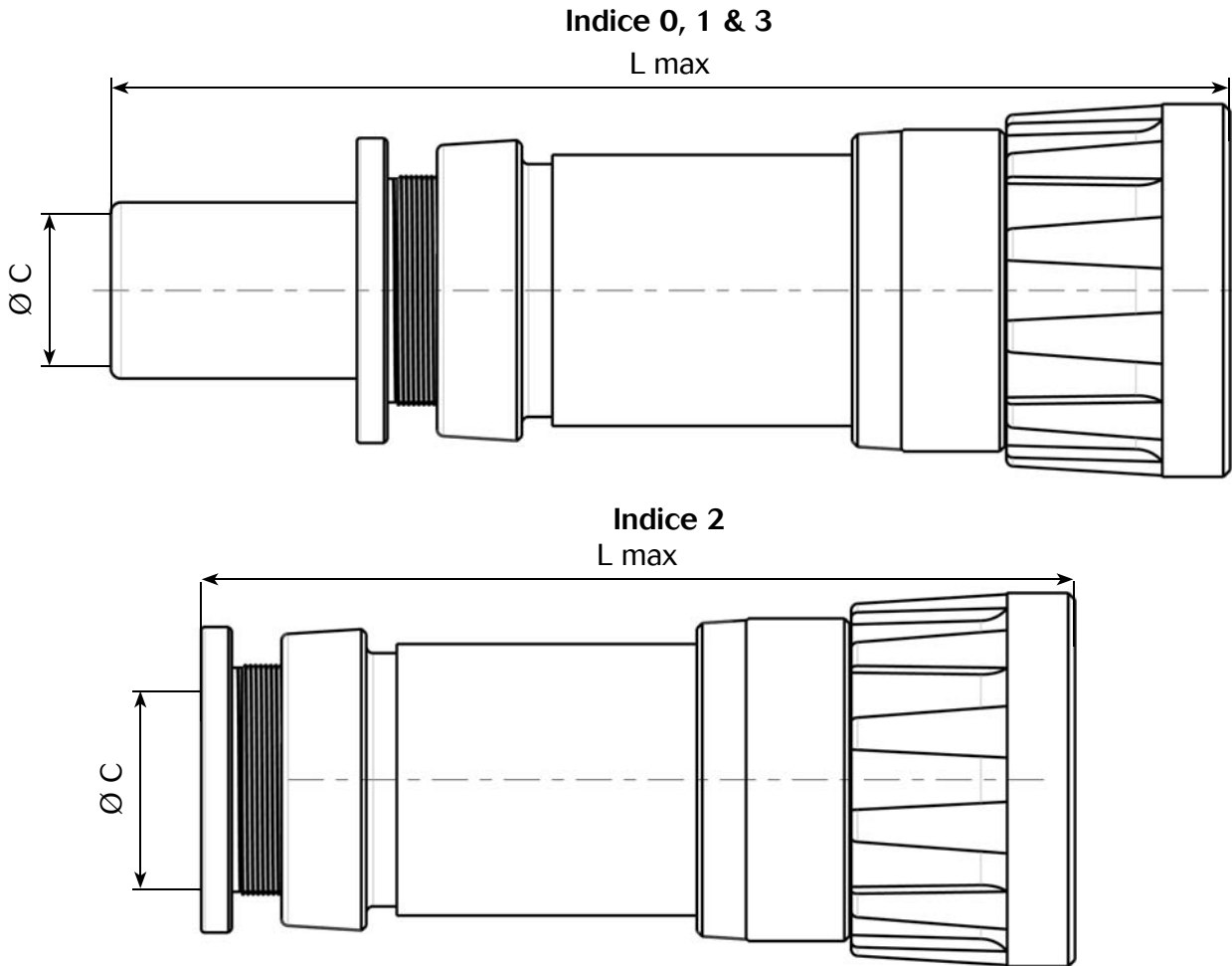
838 Series

Shell size B



Backshells

W type - Straight backshell with sealing gland and cable gland



L	Ø C (Cable)		Contacts part number ⁽¹⁾		Layout	Part number ⁽²⁾	
	mini	maxi	Male	Female		Receptacle	Plug
262	44.8	48.5	-	8380-1021A	B-04	-	8380F0B455PW2A
335	36.6	44.8	-	8380-719	B-37	-	8380F0B375FW0A
335	32	38				-	8380F0B375FW1A
262	44.8	48.5				-	8380F0B375FW2A
335	28	32				-	8380F0B375FW3A
335	36.6	44.8				-	8380F0B615BW0A
335	32	38	-	8380-725	B-61	-	8380F0B611BW1A
335	32	38				-	8380F0B615BW1A
262	44.8	48.5				-	8380F0B615BW2A
335	32	38				-	8380F0B4A85PW1A
335	32	38	-	83802034A (x4)	B-4A8	-	8380F0B4A85PW1A
			-	8380-725 (x8)			

(1): for details see page 60

(2): for a specific backshell consult us

*: for coding see page 14

Note: all dimensions are in mm


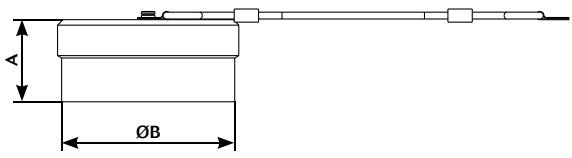
838 Series

Shell size B



Cap for receptacle

Part number & dimensions


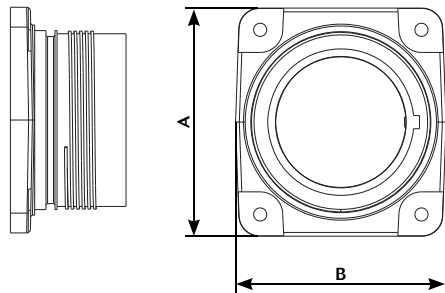



Shell size	A	ØB	Part numbers
E	35	45	8038-0141A
C	33	68	8038-0140
J	*	*	*
B	53	110	8338-777

*: Consult us

Dummy receptacle

Part number & dimensions

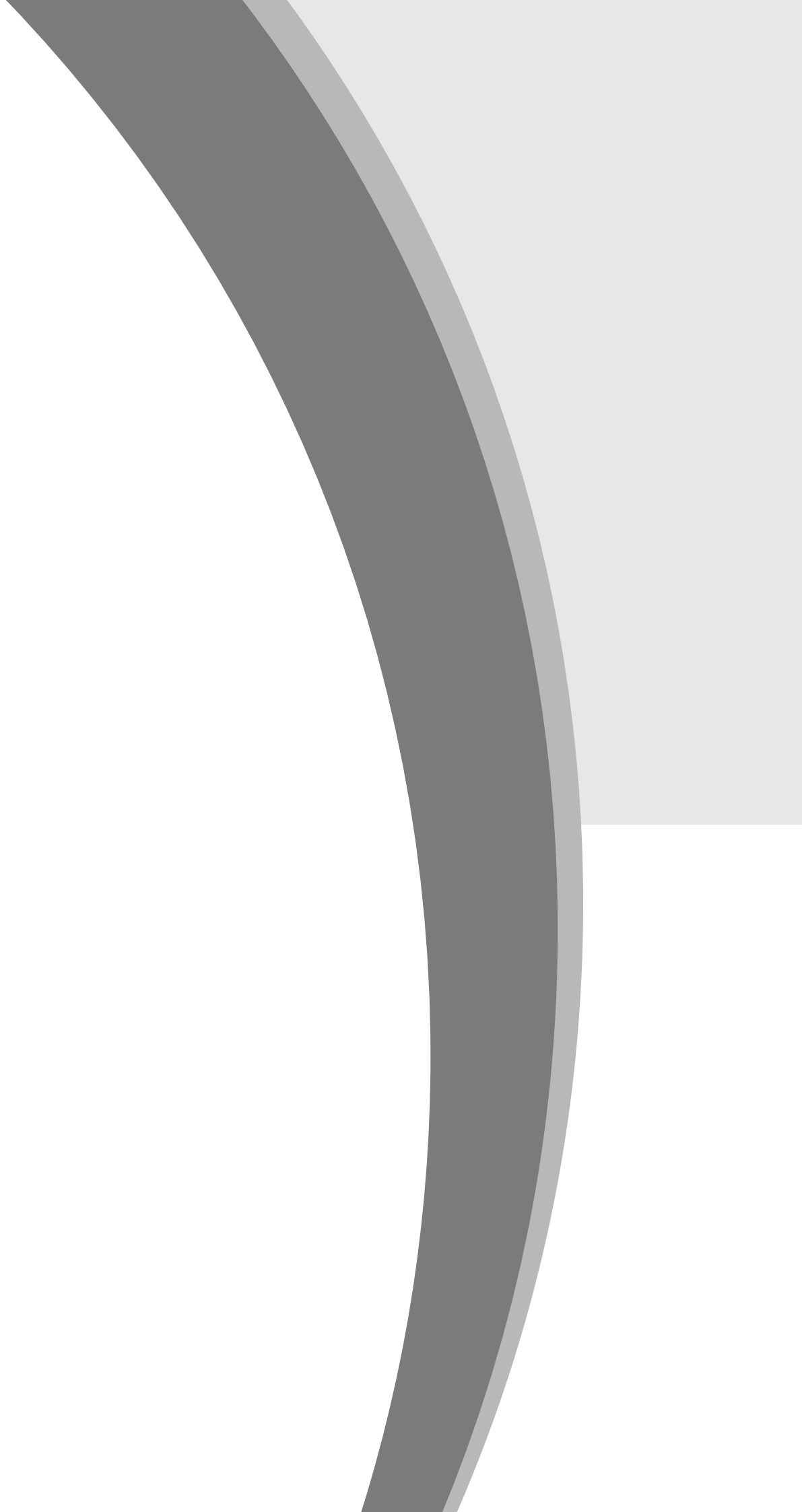



Shell size	A	B	Part numbers
E	42	42	8038-0133
C	70	70	8038-0131
J	*	*	*
B	121	110	8338-983

*: Consult us

Note: all dimensions are in mm

838 series



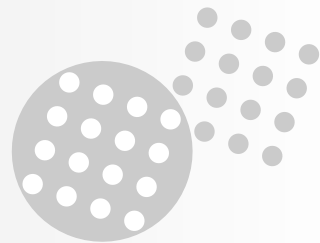
838 Series

Contacts

■ Machined crimp contact	56
■ Twinax contact	57
■ Quafrax contact	58



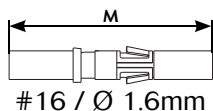
838 Series Contacts



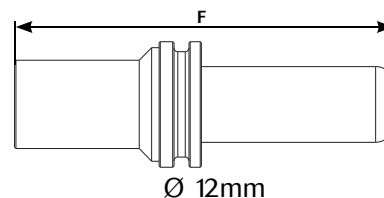
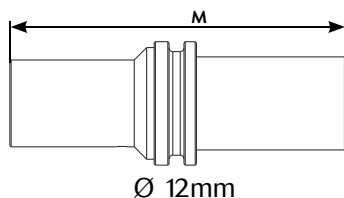
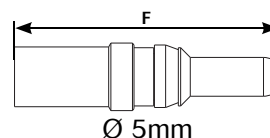
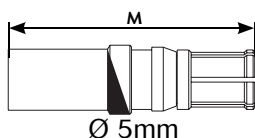
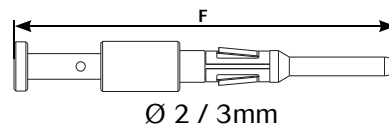
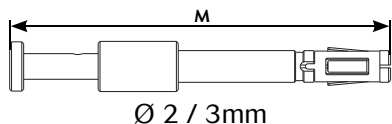
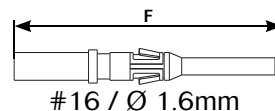
Machined crimp contact

Part number & dimensions

Male contact



Female contact



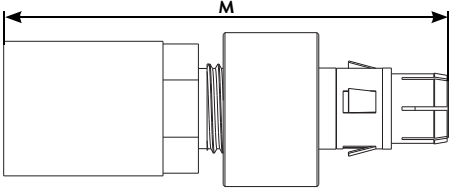
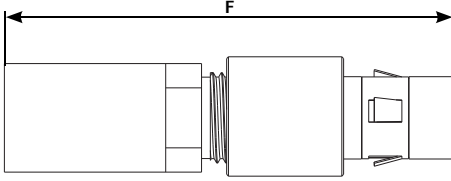
Active part Ø	Contact type	Wire size mm ²	Plating	Part numbers		Insulator Ø	Contact length	
				Male	Female		Male (M)	Female (F)
16	T	0.52 - 1.5	Gold	RM16M23K	RC16M23K	1.2 - 3	26.2	18.2
2	B	-	Silver	8380-722	8380-725	0.6 - 1.5	42	41
2	B1	-	Gold	8380-726	8380-727	0.5 - 1.5	42	41
2	H	-	Silver	8380-970	8380-973	1.34 - 2.61	42	41
3	F	-	Silver	8380-716	8380-719	1.34 - 2.61	45	41
3	F1	-	Gold	8380-717	8380-723	1.34 - 2.61	45	41
3	E	-	Silver	8380-1365	8380-1366	4 - 4.78	45	41
3	E1	-	Gold	8380-730	8380-731	4 - 4.78	45	41
5	G	-	Silver	8380-728	8380-729	10	34.5	31
12	J	-	Silver	8380-1020A	8380-1021A	50	61	54

Note: all dimensions are in mm

838 Series Contacts



Twinax contact


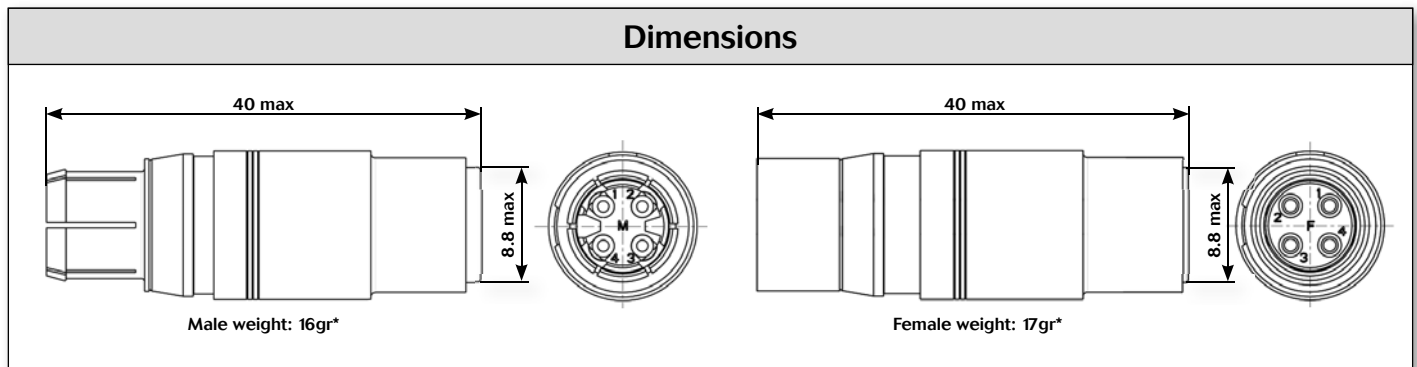
Part number & dimensions								
Male contact				Female contact				
								
Active part Ø	Contact type	Wire size mm ²	Plating	Part numbers		Insulator Ø	Contact length	
				Male	Female		Male (M)	Female (F)
105 Ω Layout 45	-	-	Gold Silver	8380-951	8380-950	0.2 - 0.6 (250BLG)	-	-
120 Ω Layout 45	U	-	Gold Silver	8380-994	8380-995	0.2 - 0.6 Rockbest05 2/C AWG20	50	50
120 Ω Layout 01	S	-	Gold contact Silver body	8380-1009	8380-1010 8380-1012	0.2 - 06	50	50

838 Series Contacts



Quadrax contact

Part number					
Line wire size		Cell plating	Part numbers		Max line wire insulator Ø
AWG	mm ²		Male	Female	
24-18	0.21-0.93	Silver	83802035A	83802034A	1.2-2.11 mm

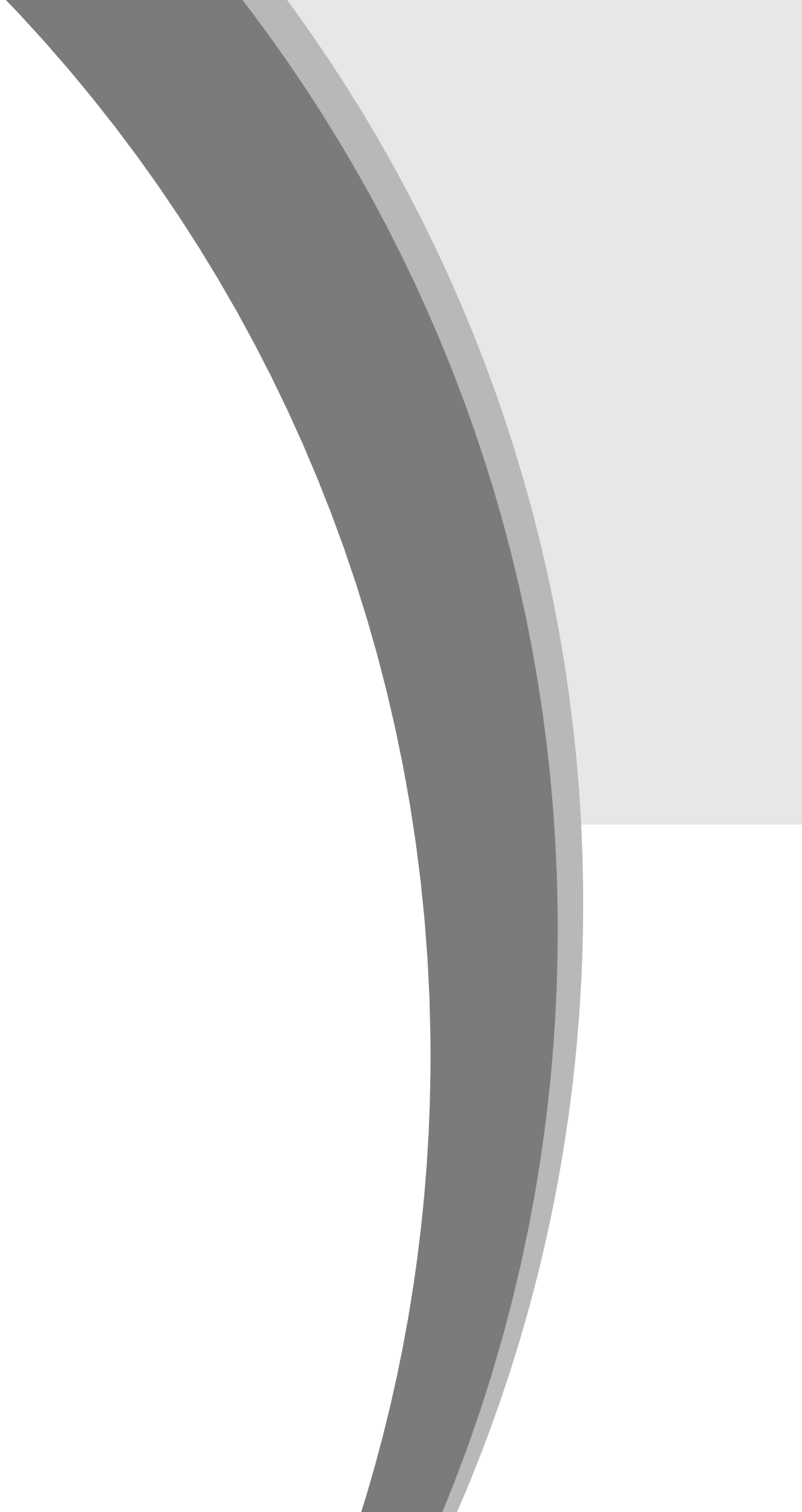
Note: all dimensions are in mm

838 Series

Contacts



838 series



838 Series

Accessories

■ Tooling.....	66
■ Contact crimping instruction.....	68
■	
■	



838 Series Contacts



Contact crimp tooling

Tooling						
Active part Ø	Contact type	Plating	Contacts part numbers		Crimping tool	Locator
			Male	Female		
16	T	Gold	RM16M23K	RC16M23K	MH860 M22520/07-01	MH86164G
2	B	Silver	8380-722	8380-725	8380-15	8380-28
2	B1	Gold	8380-726	8380-727	8380-15	8380-28
2	H	Silver	8380-970	8380-973	8380-15	8380-28
3	F	Silver	8380-716	8380-719	8380-15	8380-27
3	F1	Gold	8380-717	8380-723	8380-15	8380-27
3	E	Silver	8380-1365	8380-1366	M317	8380-27
3	E1	Gold	8380-730	8380-731	M317	8380-27
5	G	Silver	8380-728	8380-729	Mecatraction PMM1	D5HCU 10-50
12	J	Silver	8380-1020A	8380-1021A	Mecatraction TR461R	Mecatraction TN50-460

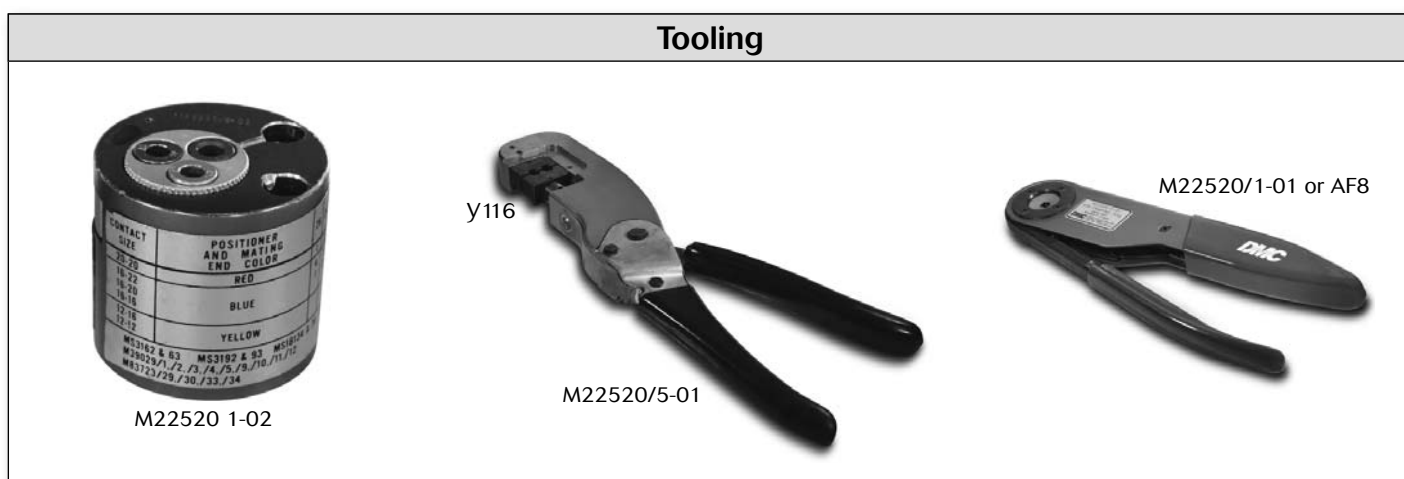
838 Series Contacts



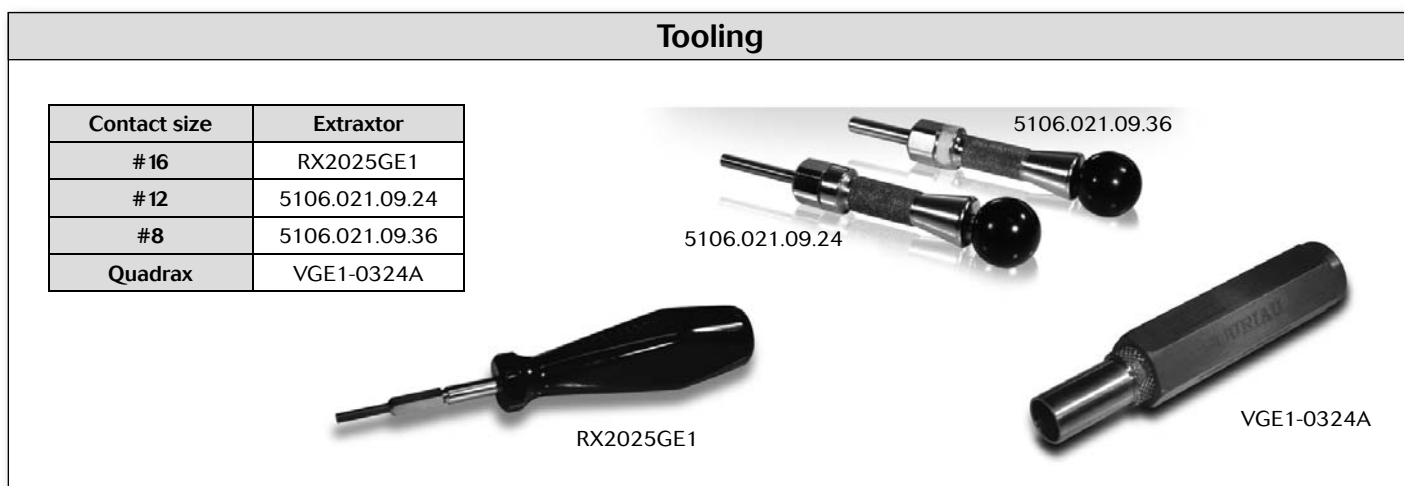
Contact Twinax tooling

Tooling								
Active part Ø	Contact type	Plating	Contacts part numbers		Crimping tool		Locator	
			Male	Female	For contact	For ferrule	For contact	For ferrule
105 Ω Layout 45	-	Gold Silver	8380-951	8380-950	M22520/2.01	M22520/5.01	M22520//2.08	Y116
120 Ω Layout 45	U	Gold Silver	8380-994	8380-995				
120 Ω Layout 01	S	Gold contact Silver body	8380-1009	8380-1010 8380-1012				

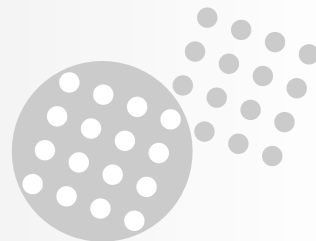
Contact Quadrax tooling




Contact removal



838 Series Contacts

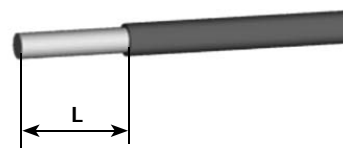


Pin wrench

Tooling				
	Shell	On wrench part numbers	Coupling torque (daN.m)	
			Mini	Maxi
	E	8380-216	0.4	1
	C	8380-216	0.6	1.5
	J	8380-216	0.6	1.5
B	8380-213	0.7	2	

Contact crimping instruction

Wire stripping				
Active part Ø	Contact type	Part numbers		Stripping length (L)
		Male	Female	
Machined				
16	T	RM16M23K	RC16M23K	4.8
2	B	8380-722	8380-725	?
2	B1	8380-726	8380-727	
2	H	8380-970	8380-973	
3	F	8380-716	8380-719	?
3	F1	8380-717	8380-723	
3	E	8380-1365	8380-1366	
3	E1	8380-730	8380-731	
5	G	8380-728	8380-729	?
12	J	8380-1020A	8380-1021A	?
Twinax				
105 Ω Layout 45	-	8380-951	8380-950	?
120 Ω Layout 45	U	8380-994	8380-995	?
120 Ω Layout 01	S	8380-1009	8380-1010 8380-1012	?
Quadrax				
-	-	83802035A	83802034A	?



Note: all dimensions are in mm

SOURIAU
www.railway-connector.com

contactindustry@souriau.com