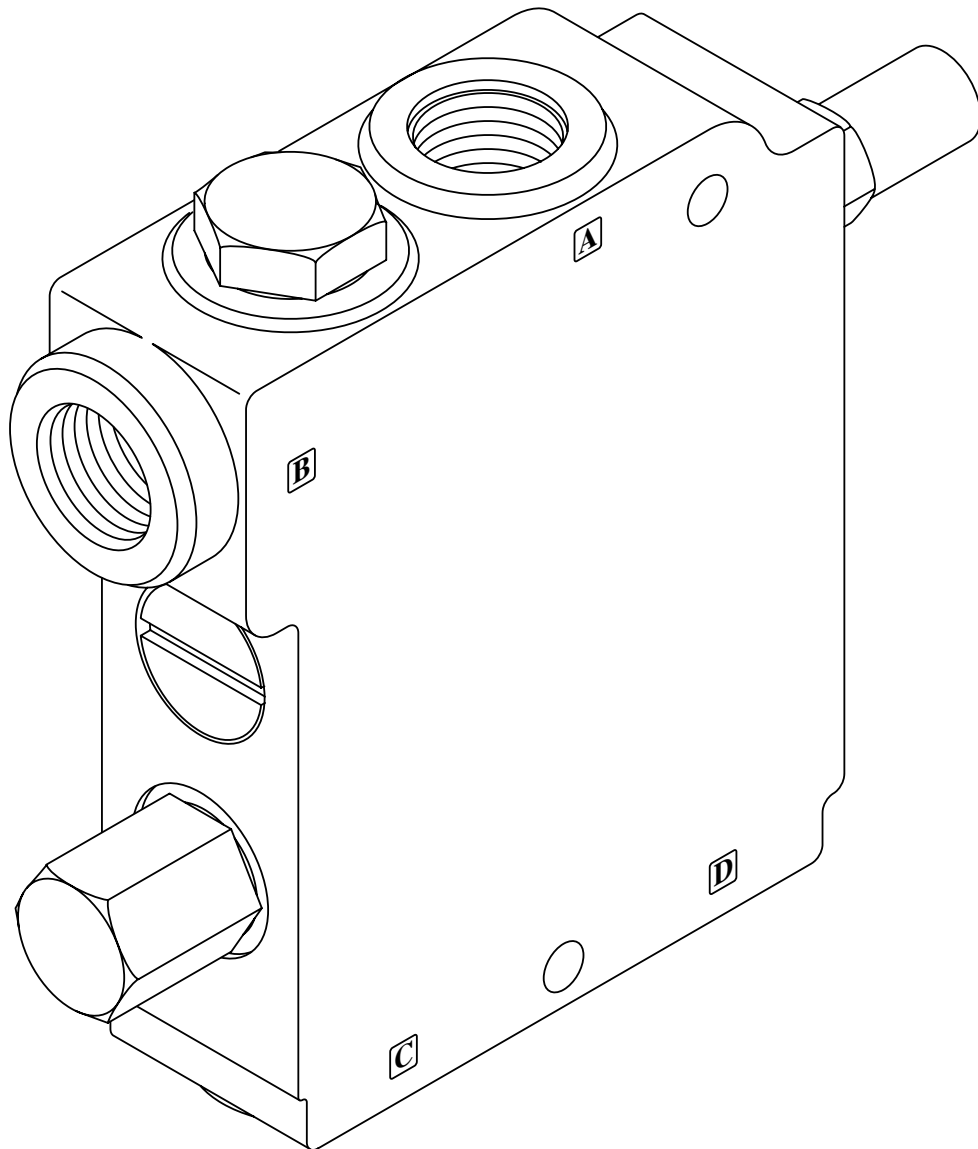


Eaton[®]
Inline Self-Level Valve

January 2000

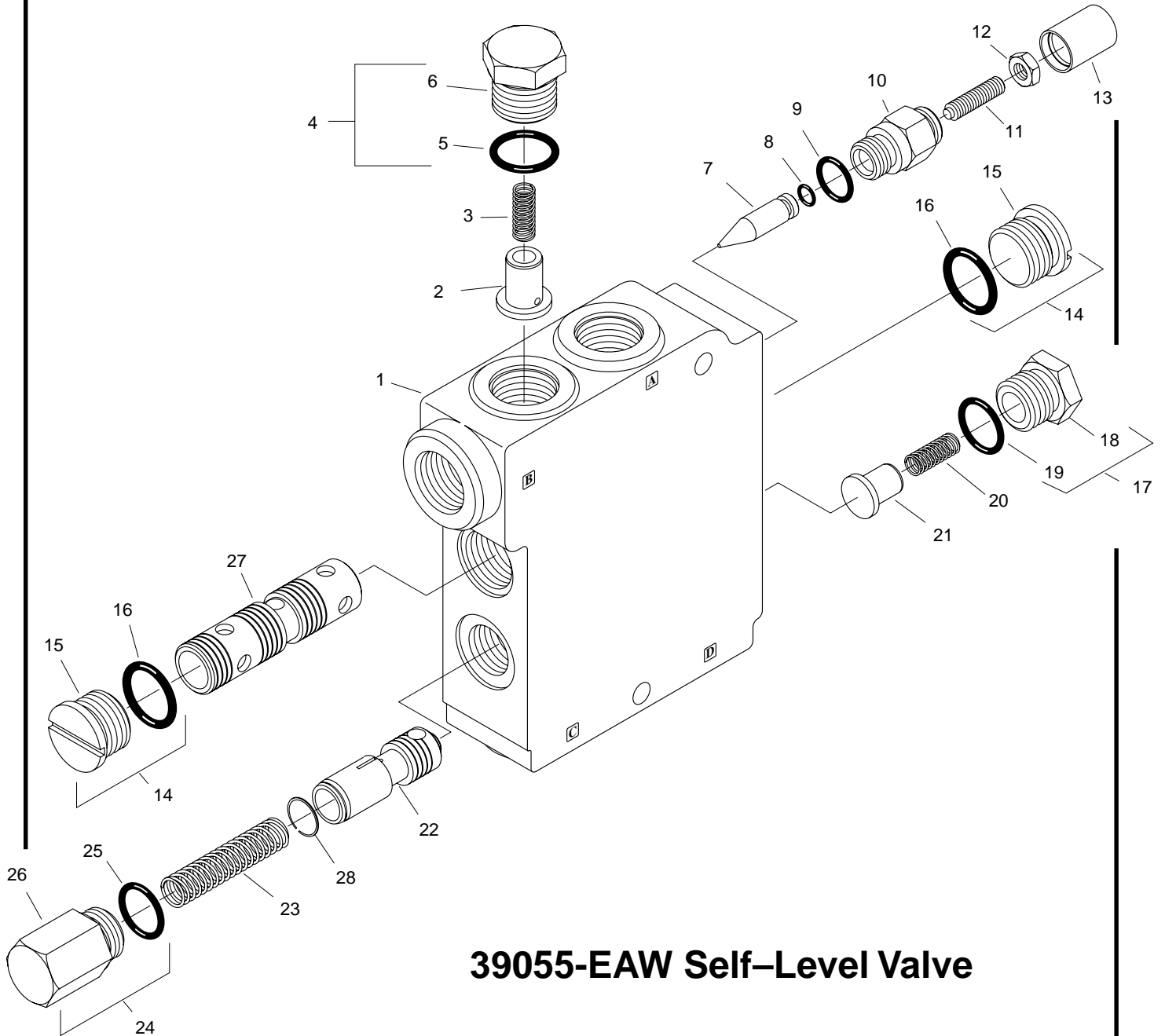


Parts Information



39055-EAW Self-Level Valve

Parts Drawing



39055-EAW Self-Level Valve

Parts List

Ref. No.	Description	Part Number	Quantity
1	Body	NSS	1
2	Load Check	39055-329	1
3	Load Check Spring	17030-17	1
4	Plug Assembly	16224-055	1
~ 5	O-ring	16133-10	1
6	Plug	NSS	1
7	Pin	39055-322	1
~ 8	O-ring	16003-4 - 90	1
~ 9	O-ring	16133-6	1
10	Adjustment Cap	113997-000	1
11	Set Screw	16139-416P	1
12	Jam Nut	16024-4P	1
~ 13	Cover	70422-619	1
14	Plug Assembly	16226-022	2
15	Plug	NSS	2
~ 16	O-ring	16003-14 - 90	2
17	Plug Assembly	16224-055	1
18	Plug	NSS	1
~ 19	O-ring	16133-10	1
20	Spring	17030-17	1
21	Plunger	39055-329	1
22	Unloading Spool	NSS	1
23	Spring	17045-16	1
24	Plug Assembly	39055-337	1
~ 25	O-ring	16133-10	1
26	Plug	NSS	1
27	Flow Divider Spool	NSS	1
28	Retaining Ring	16145-10	1
~	Seal Repair Kit	39055-911	1

NSS Not sold separately

Eaton
Fluid Power Group
Hydraulics Business USA
14615 Lone Oak Road
Eden Prairie, MN 55344
USA
Tel: 952-937-9800
Fax: 952-294-7722
www.eaton.com/hydraulics

Eaton
Fluid Power Group
Hydraulics Business Europe
Route de la Longeraie 7
1110 Morges
Switzerland
Tel: +41 (0) 21 811 4600
Fax: +41 (0) 21 811 4601

Eaton
Fluid Power Group
Hydraulics Business Asia Pacific
11th Floor Hong Kong New World Tower
300 Huaihai Zhong Road
Shanghai 200021
China
Tel: 86-21-6387-9988
Fax: 86-21-6335-3912