

Relief Valves



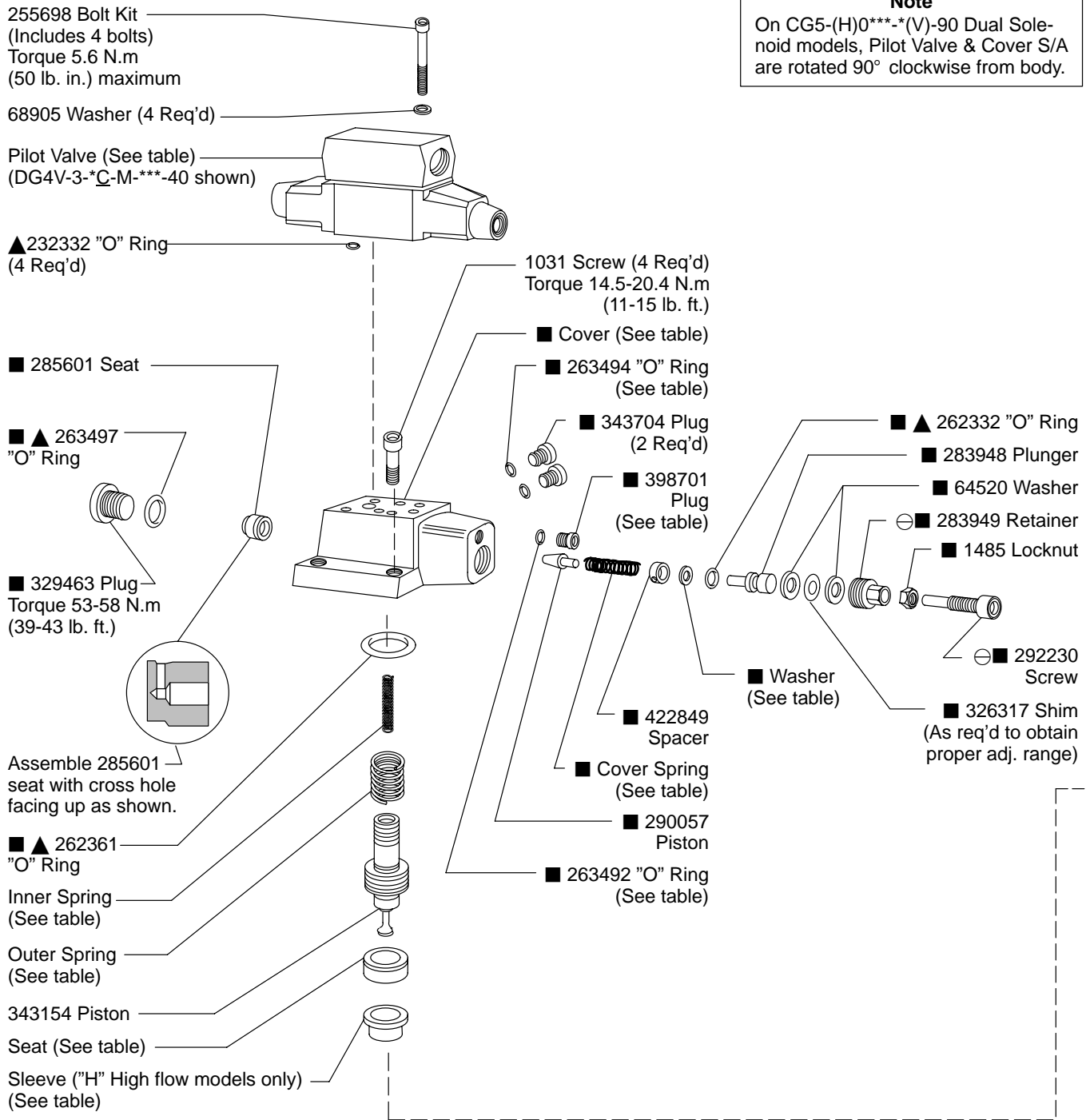
Solenoid Controlled Relief Valves

(F3)-CG5-(H)06**(L)(P)-*(V)-(M)-****-90

(F3)-CS5-(H)03/06**(L)(P)-*(V)-M-****-90

(F3)-CT5-06**(L)(P)-*-M-****-90

Note
 On CG5-(H)0***-(V)-90 Dual Solenoid models, Pilot Valve & Cover S/A are rotated 90° clockwise from body.



Model	Seat	Sleeve
C*5-03/06	343153	—
C*5-H06	589473	589472

Model	■ Washer	Inner Spring	Outer Spring	■ Cover Spring
C*5-0***-B-90	—	2077	—	2280
C*5-H0***-BV-90	—	—	184458	
C*5-0***-C-90	233110	2077	—	583937
C*5-H0***-CV-90		—	184458	
C*5-0***-F-90	—	2077	—	2281
C*5-H0***-FV-90	—	—	184458	

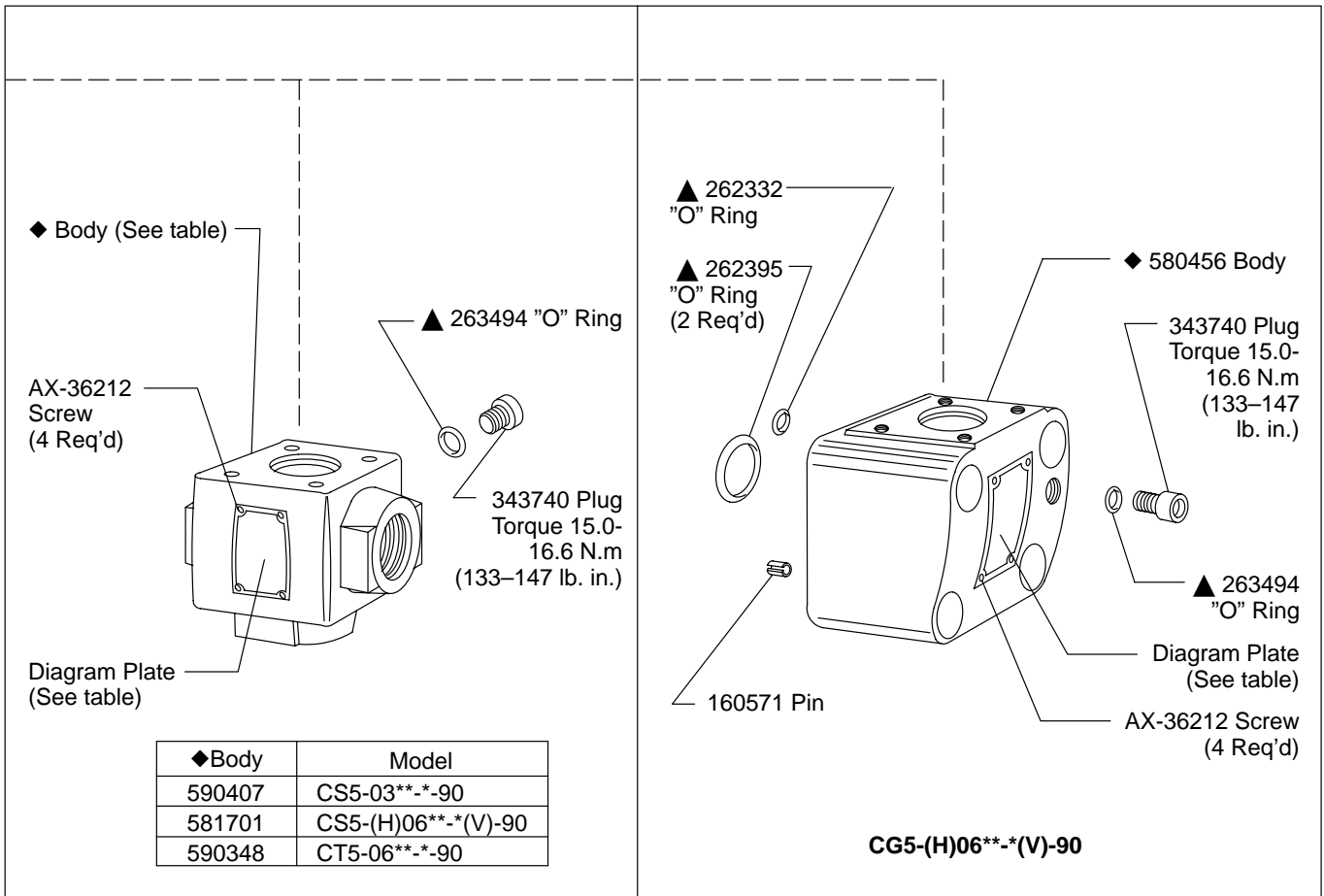
Model	Diagram Plate	Pilot Valve	Pilot Valve Parts Drwg.
C*5-(H)0*0A(P)-(V)-M-***-90	422864	DG4V-3-0BL-M***-40	I-3862-S
C*5-(H)0*1A(P)-(V)-M-***-90	422865	DG4V-3-2AL-M***-40	I-3861-S
C*5-(H)0*2A(P)-(V)-M-***-90	423814	DG4V-3-2BL-M***-40	I-3862-S
C*5-(H)0*0C-(V)-M-***-90	422862	DG4V-3-0C-M***-40	I-3863-S
C*5-(H)0*2C-(V)-M-***-90	422863	DG4V-3-2C-M***-40	I-3863-S
C*5-(H)0*0F(P)-(V)-M-***-90	477211	DG4V-3-0FL-M***-40	I-3864-S

Model	■ Cover S/A
C*5-(H)0*0A/F-B(V)-90	942432
C*5-(H)0*0A/F-C(V)-90	942433
C*5-(H)0*0A/F-F(V)-90	942434
C*5-(H)0*1A-B(V)-90	942435
C*5-(H)0*2A-B(V)-90	
C*5-(H)0**C-B(V)-90	942436
C*5-(H)0*1A-C(V)-90	
C*5-(H)0*2A-C(V)-90	
C*5-(H)0**C-C(V)-90	942437
C*5-(H)0*1A-F(V)-90	
C*5-(H)0*2A-F(V)-90	
C*5-(H)0**C-F(V)-90	

Model	■ Cover S/A	■ Plug/"O" Ring (2 Req'd)	■ Plug/"O" Ring
C*5-(H)0*0A-90	422828	—	—
C*5-(H)0*1A-90	424203	343740/▲263494	398071/▲263492
C*5-(H)0*2A-90			
C*5-(H)0**C-90			

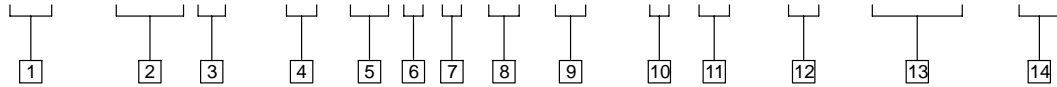
Note
Parts prefixed with a symbol available only in kits.

- Included in Cover S/A
- ▲ Included in F3 Seal Kit 920344 (includes pilot valve seal)
- ⊖ Lubricate with oil before assembly
- ◆ Not available for sale



Model Code

(F3) - C * 5 - (H) * * * * (L) (P) - * (V) - M - * * * * - 90



1 Seal Material

F3 - Seals for mineral oil and fire resistant fluids

2 Model Series

C - Relief valve
G - Subplate mounting,
S - Straight threads
T - NPTF threads

3 Solenoid Controlled

4 High Flow

CG5 or CS5 models only
(Omit if not required)

5 Valve Size

03 - 3/8 inch
06 - 3/4 inch

6 Pilot Valve Spool Type

7 Pilot Valve Function

A - Spring offset (single solenoid)
B - Spring centered (solenoid 'A' removed)
C - Spring centered (dual solenoid)
F - Spring offset (single solenoid) energize to vent

8 Left Hand Built Single Solenoid Pilot Valve

Omit - If not required

9 Manual Operator for Single Solenoid Pilot Valve

Omit - If not required

10 Pressure Range

B - 125-1000 PSI
C - 500-2000 PSI
F - 1500-3000 PSI

11 High Vent

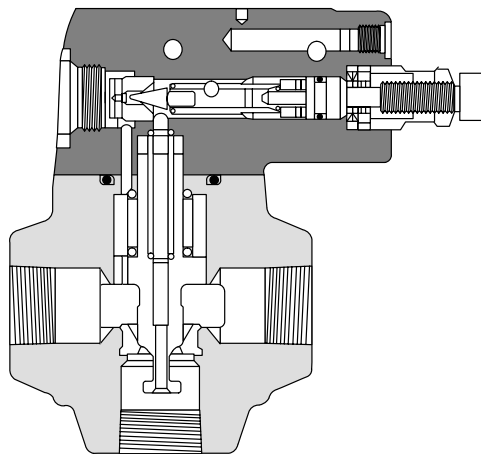
Omit - If not required

12 Flag Symbol Heading for Pilot Valve Electrical Features

13 Pilot Valve Electrical Features

(Refer to Drawing I-3866-S & pilot valve parts drawing)

14 Design



Relief Valve Sectional View without Pilot Valve

For satisfactory service life of these components in industrial applications, use full flow filtration to provide fluid which meets ISO cleanliness code 20/18/15 or cleaner. Selections from Eaton OFP, OFR, and OFRS series are recommended.