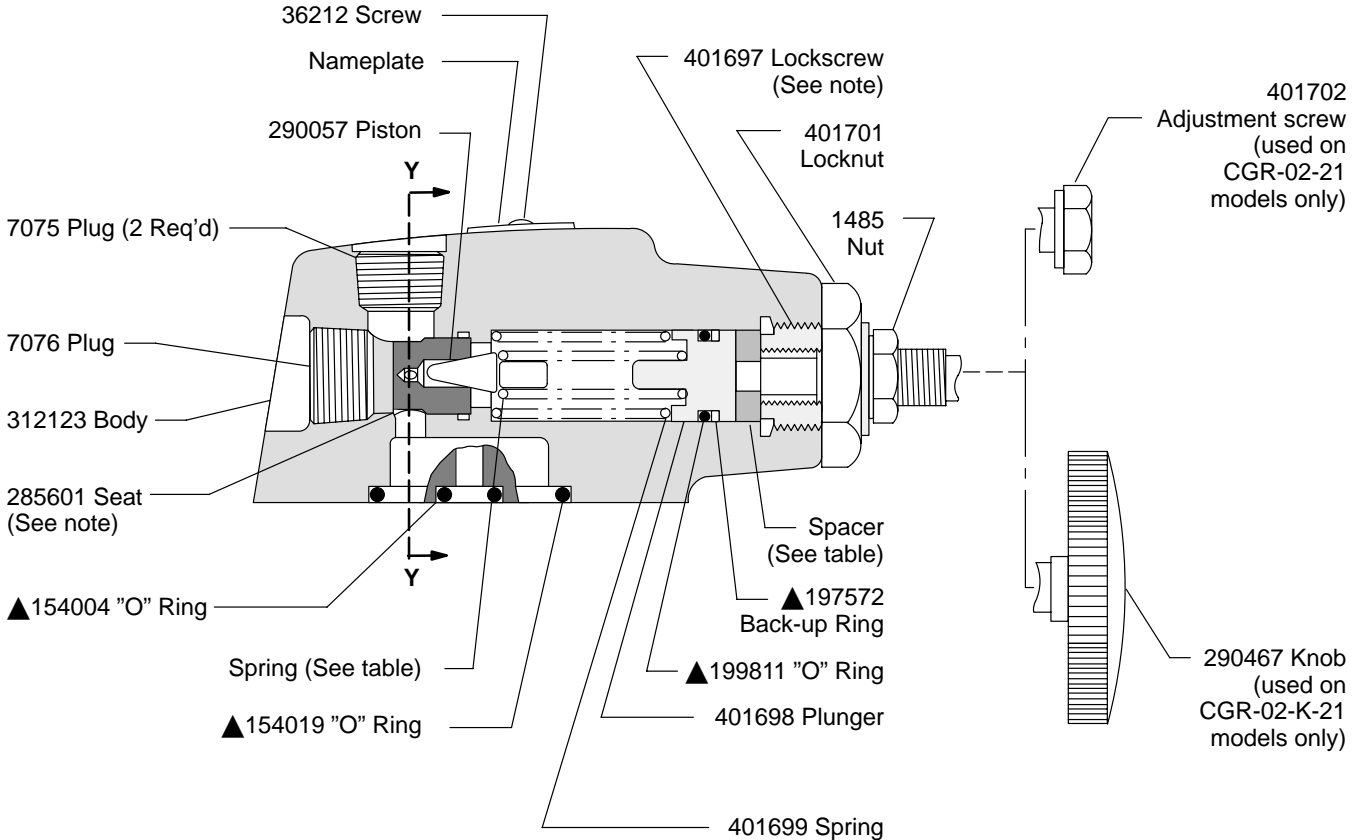


Relief Valves



Remote Control Relief Valve

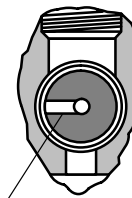
CGR-02-*-**(K)**-21



STD/F3 Seal Kit Cross Reference	
▲ STD 919853	F3 919854
154004	262330
154019	262394
197572	197572
199811	262334

NOTE: Assemble lockscrew with stepped outside diameter end toward spacer.

NOTE: Assemble 285601 seat with cross hole in position shown or 180° from position shown.



Y-Y

Model	Max. Adj. Pressure	Spring	Spacer
CGR-02-B-(K)-21	1000 PSI	2280	—
CGR-02-C-(K)-21	2000 PSI	583937	—
CGR-02-F-(K)-21	3000 PSI	401700	386715



Model Code

CG R - 02 - * - (K) - 21

┌───┐ ┌───┐ ┌───┐ ┌───┐ ┌───┐ ┌───┐
| | | | | | | | | | | |
└───┘ └───┘ └───┘ └───┘ └───┘ └───┘
1 2 3 4 5 6

1 Model Series

CG - 0-3000 PSI Gasket mounted relief valve

2 Type

Remote control

3 Size

1/4 inch

4 Maximum Adjustment Pressure

B - 1000 PSI
C - 2000 PSI
F - 3000 PSI

6 Design

5 Knob

K - Optional
Omit for hex head adjustment screw

For satisfactory service life of these components, use full flow filtration to provide fluid which meets ISO cleanliness code 20/18/15 or cleaner. Selections from Eaton OFP, OFR and OFRS filter series are recommended.

Printed in U.S.A.