

Pressure Relief

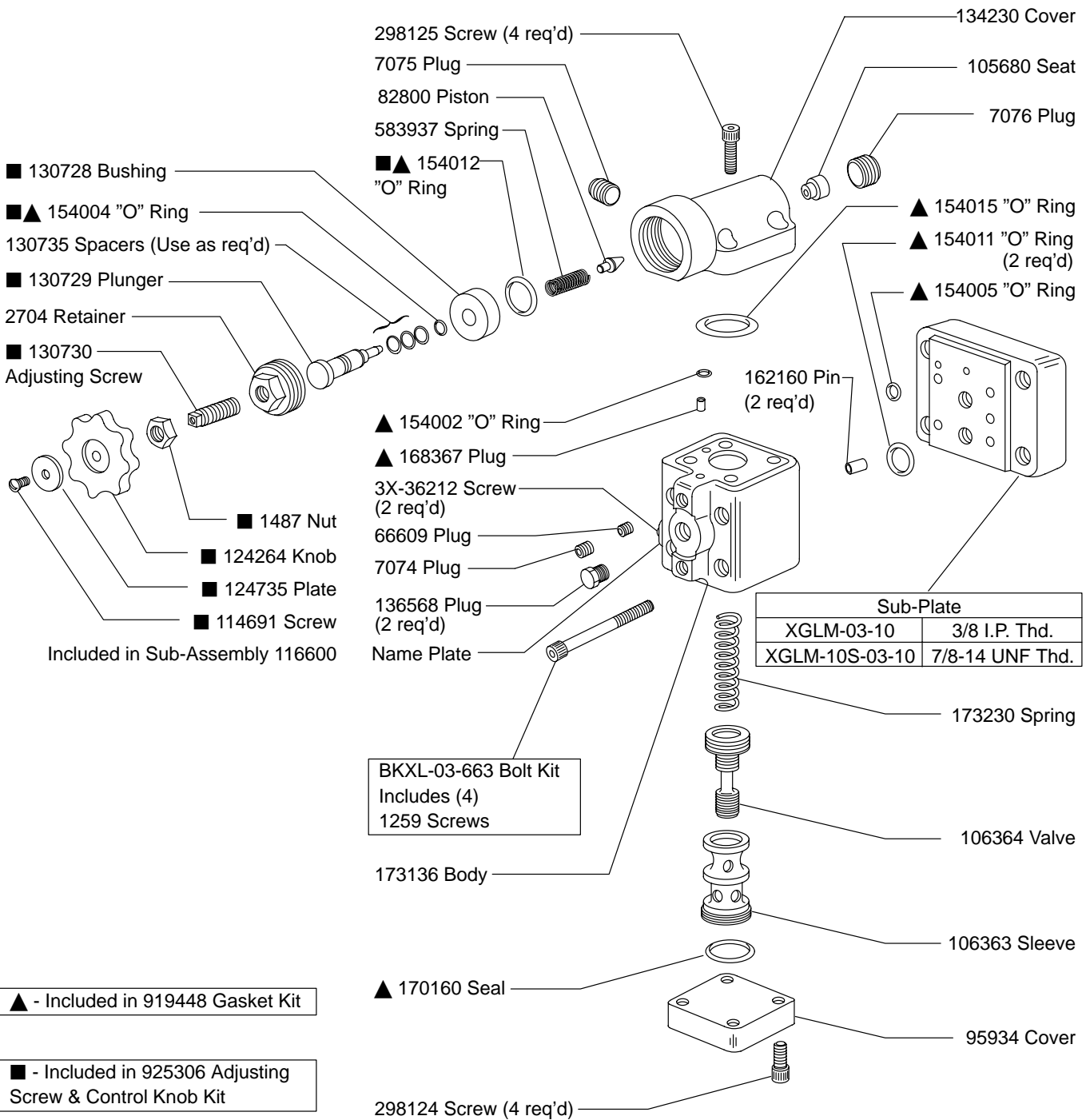


Pressure Reducing Valves

XGL-03-B-10

XSL-03-B-10

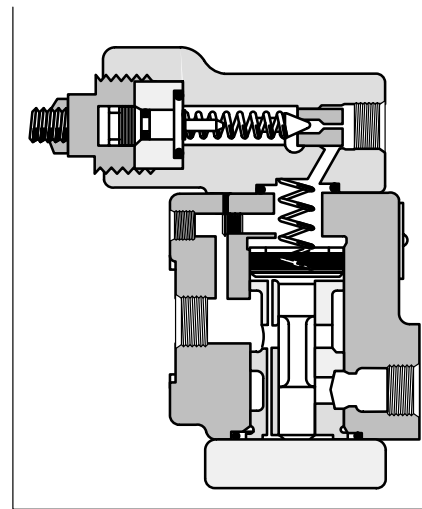
XTL-03-B-10



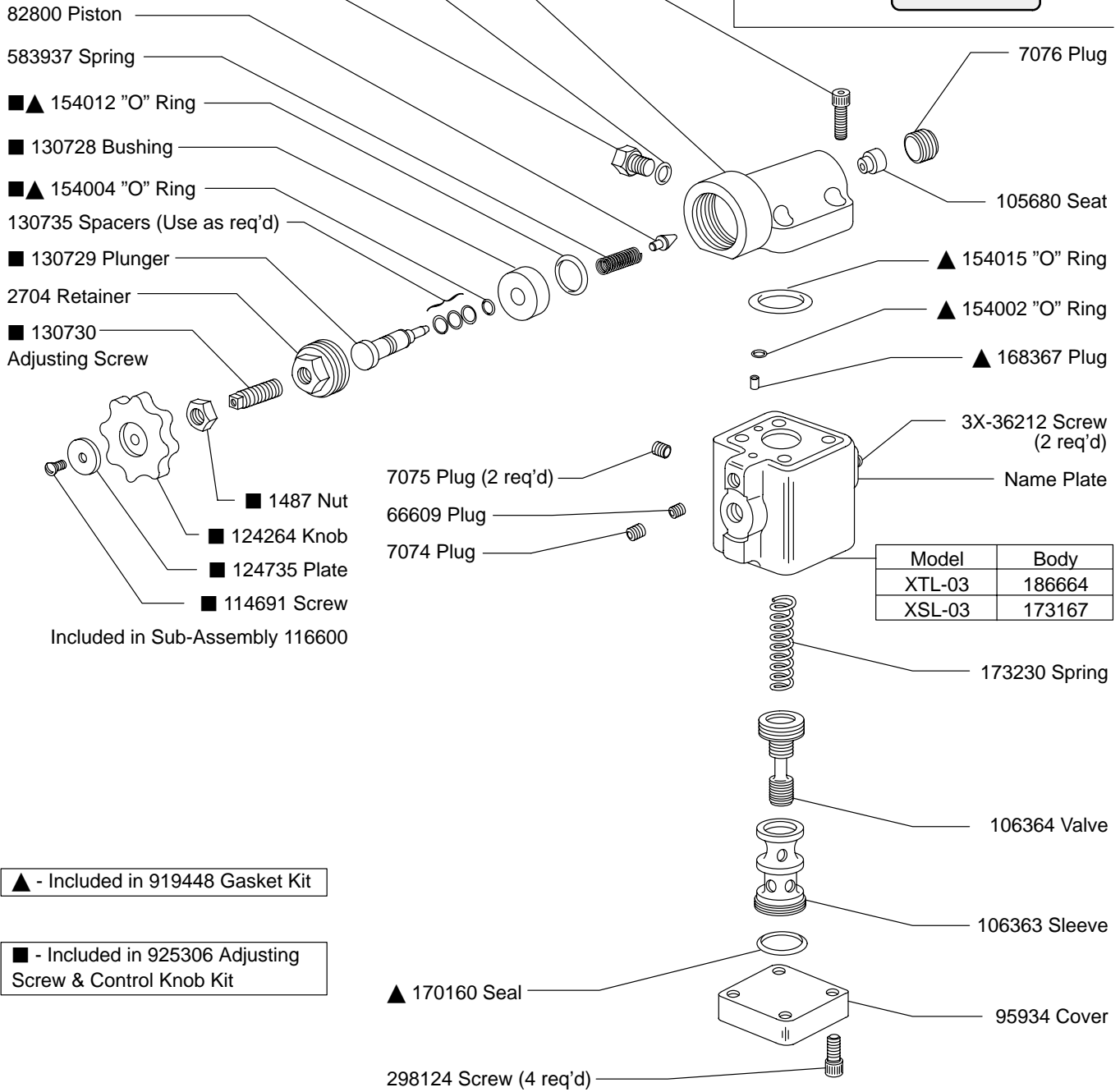
▲ - Included in 919448 Gasket Kit

■ - Included in 925306 Adjusting Screw & Control Knob Kit

XTL-03-B-10 Nominal Pipe Thread – 3/8”
XSL-03-B-10 14 SAE Straight Thread – 7/8”



Model	Plug	Seal	Cover	Screw (4 req'd)
XTL-03	16127	—	134230	298125
XSL-03	191362	▲154128	191363	298125



Model	Body
XTL-03	186664
XSL-03	173167

▲ - Included in 919448 Gasket Kit

■ - Included in 925306 Adjusting Screw & Control Knob Kit

For satisfactory service life of these components, use full flow filtration to provide fluid which meets ISO cleanliness code 18/15 or cleaner. Selections from Eaton OFF, OFR and OFRS filter series are recommended.

Printed in U.S.A.