

Service Data

Vickers®

# Relief Valves

---



## Multi-Pressure Relief Valves

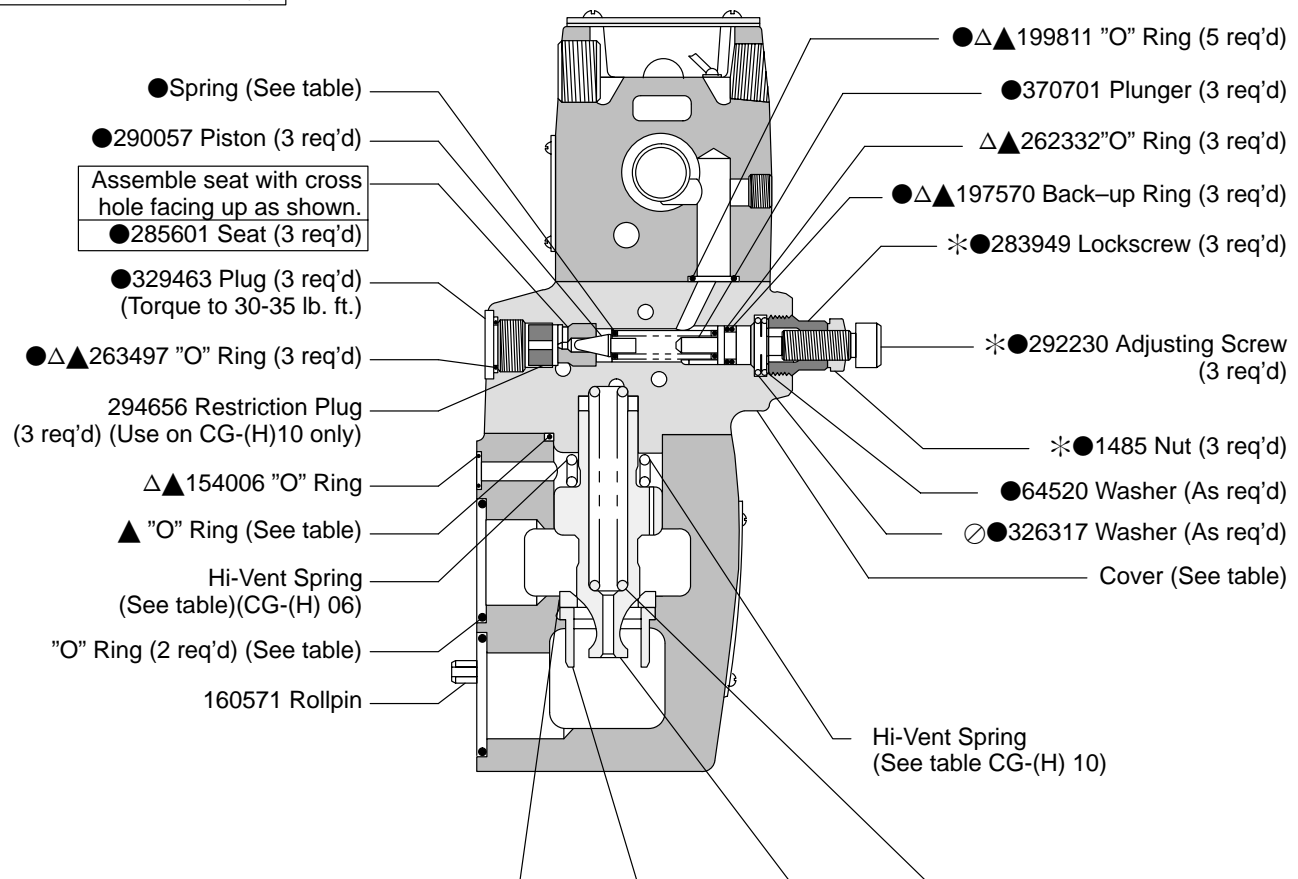
CG-(H)-06-\*(V)-(P)(\*)DG(L)-8C-(H)-(\*)-20

CG-(H)-10-\*(V)-(P)(\*)DG(L)-8C-(H)-(\*)-20



Model	Head #1		Head #2		Head #3		●CG-(H)06 Cover S/A
	● Spring	Pressure Range PSI	● Spring	Pressure Range PSI	● Spring	Pressure Range PSI	
CG-(H)06/(H)10-CBF	583937	500 - 2000	2280	125 - 1000	2281	1500 - 3000	942198
CG-(H)06/(H)10-CEB			VENT	125 - 1000	2280	125 - 1000	—
CG-(H)06/(H)10-CBC			2280	—	583937	500 - 2000	942202
CG-(H)06/(H)10-FFB	2281	1500 - 3000	2281	1500 - 3000	2280	125 - 1000	942326

● Included in cover assembly

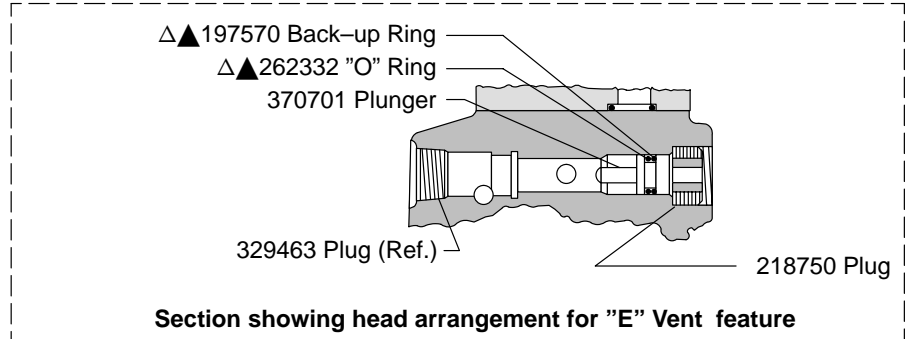


Model	"O" Ring	"O" Ring (2 req'd)	Body	Seat	Sleeve	Hydro Cone	Lo-Vent Spring	Hi-Vent Spring	● Cover
CG-06	● ▲ 262361	▲ 154020	580456	343153	—	343154	2077	184458	370664
CG-H06				589473	589472				
CG-10	● ▲ 262367	▲ 154024	581703	283954	—	283952	291822	291821	370669
CG-H10				587996	400730				

○ This part used at final test to obtain correct pressure range.

Use either a Lo-Vent or Hi-Vent spring as shown. Do not use both.

**\*Note**  
Coat 292330 Adjusting Screw, 283949 Lockscrew, and 1485 Locknut with oil prior to assembly.



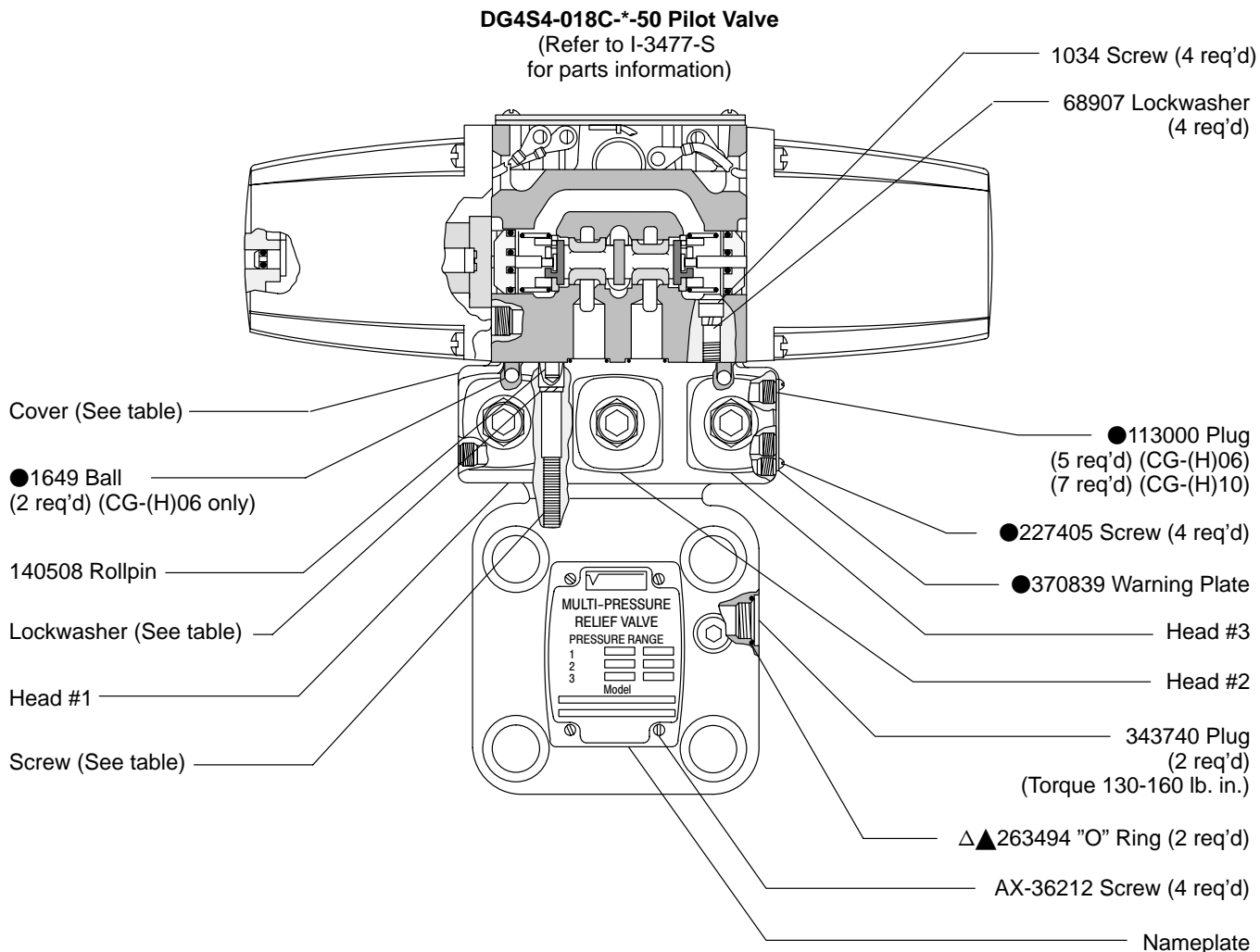
Insta-plug connectors for DG4S4 Pilot Stage are shown on drawing I-3487-S.

Oil immersed solenoid information is shown on drawing I-3498-S.



**WARNING**

Do not use other than a DG4S4-018C-\*50 directional valve as the pilot for this relief valve. Use of a different pilot can block the relief valve causing excessive system pressure.



▲ Included in (F3)CG-(H)06 Seal Kit 919684

△ Included in (F3)CG-(H)10 Seal Kit 919685

All seals, except directional valve & relief valve interface seals, are F3. Use F3 seal kit to service all units.

# Model Code

(F3) - CG - (H) \*\* - \* (V) - (P) (\*) DG(L) - 8 C - (H) - (\*) - 20

1 2 3 4 5 6 7 8 9 10 11 12 13 14 15 16

## 1 Seal Material

**F3** - Seals for mineral oil and fire resistant fluids

## 2 Model Series

**CG** - Relief valve, manifold or subplate mounted

## 3 Flow

**H** - High flow

## 4 Nominal Size

**06** - 3/4"  
**10** - 1 1/4"

## 5 Pressure Range PSI (For head #1, #2 & #3)

**B** - 125 - 1000 PSI  
**C** - 500 - 2000 PSI  
**F** - 1500 - 3000 PSI  
**E** - Vent

## 6 Vent Spring

**V** - High vent spring  
**Omit** - Low vent spring

## 7 Insta Plug

(Omit when not required)

**P** - Insta Plug feature

## 8 Plug

(Omit when not required)

**A** - With plug only  
**B** - With plug and receptacle

## 9 Pilot Stage

**D** - Directional valve

## 10 Mounting

**G** - Manifold or subplate mounted

## 11 Solenoid Indicator Light

**L** - Solenoid indicator lights  
**Omit** - Without lights

## 12 Spool Type

**8** - Tandem open center crossover spool

## 13 Pilot Valve Type

**C** - Spring centered

## 14 Solenoid

**H** - Oil immersed solenoid  
**Omit** - Standard solenoid

## 15 Solenoid Voltage

**Omit** - Standard voltage 115AC 60

## 16 Design

For satisfactory service life of these components in industrial applications, use full flow filtration to provide fluid which meets ISO cleanliness code 18/15 or cleaner. Selections from Eaton OFF, OFR, and OFRS series are recommended.