



Multi-Pressure Relief Valve

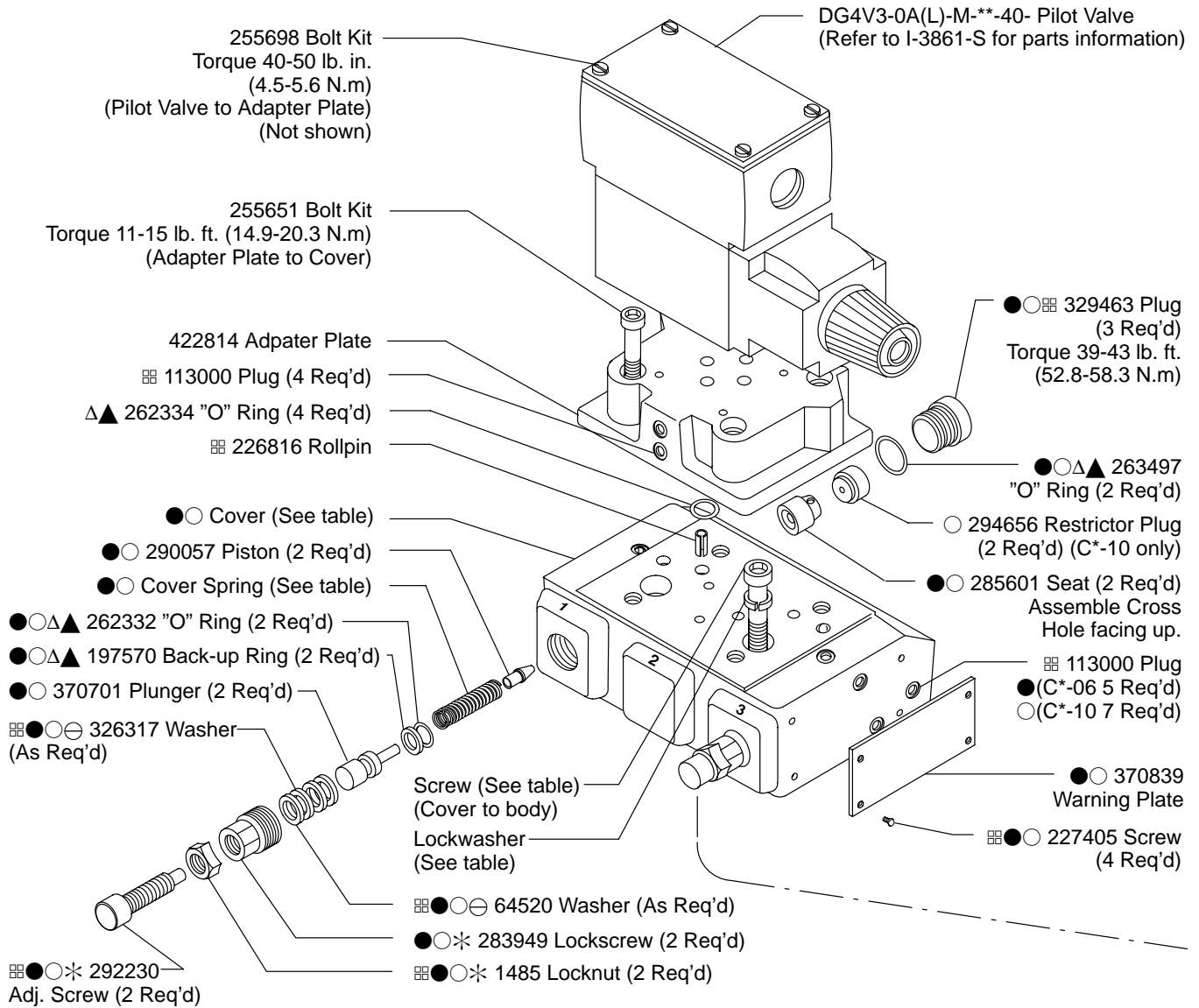
CG/CS/CT-06-**(*)-(V)-DG0A(P)(L)-M(***)-M-**-*-30

CG/CS/CT-10-**(*)-(V)-DG0A(P)(L)-M(***)-M-**-*-30



WARNING

Use only a DG4V-3-0A-M**-40- or DG4V-3-0AL-M**-40 directional valve as a pilot for this relief valve. Use of a different pilot can block relief valve, causing excessive system pressure.



Model	Cover Spring	Pressure Range PSI-(bar)
C*-***-B	2280	125-1000 (8.5-70)
C*-***-C	583937	500-2000 (35-140)
C*-***-F	2281	1500-3000 (105-210)

Model	Screw (4 Req'd)	Torque		L'Washer 4 (Req'd)
		lb.ft.	N.m	
C*-06	1036	11-15	14.9-20.3	68907
C*-10	1076	35-43	47.5-58.3	68909

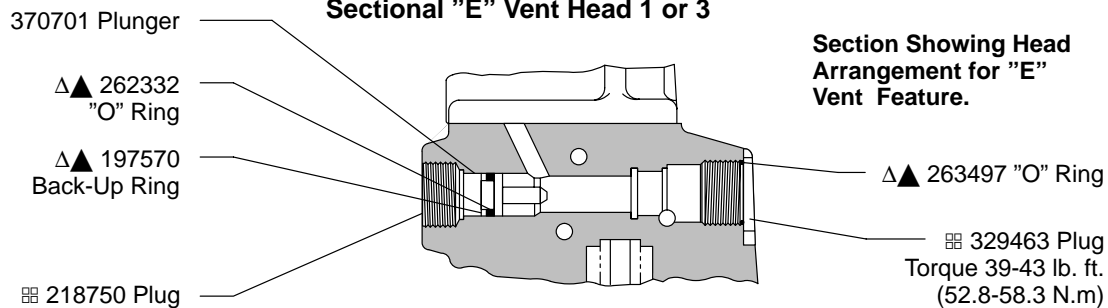
***Note**
Coat 292230 Adj. Screw, 283949 Lockscrew and 1485 Locknut with oil prior to assembly.

⊖ This part used at final test to obtain correct pressure range.

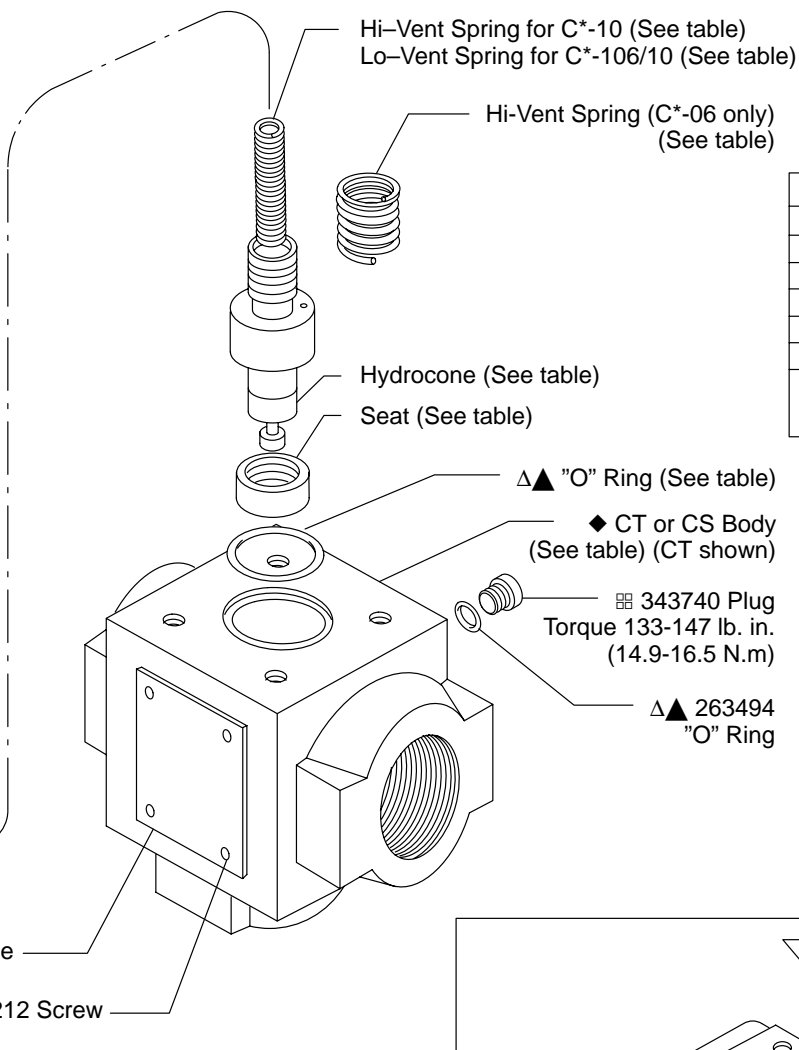
Model	"O" Ring	Seat	Hydro Cone	Lo-Vent Spring	Hi-Vent Spring	Cover
C*-06	262361	343153	343154	2077	184458	370666
C*-10	262367	283954	283952	291822	291821	370671

Note: Use either a Lo-Vent or Hi-Vent Spring.
Do not use both. See Model Code.

Sectional "E" Vent Head 1 or 3



Section Showing Head Arrangement for "E" Vent Feature.

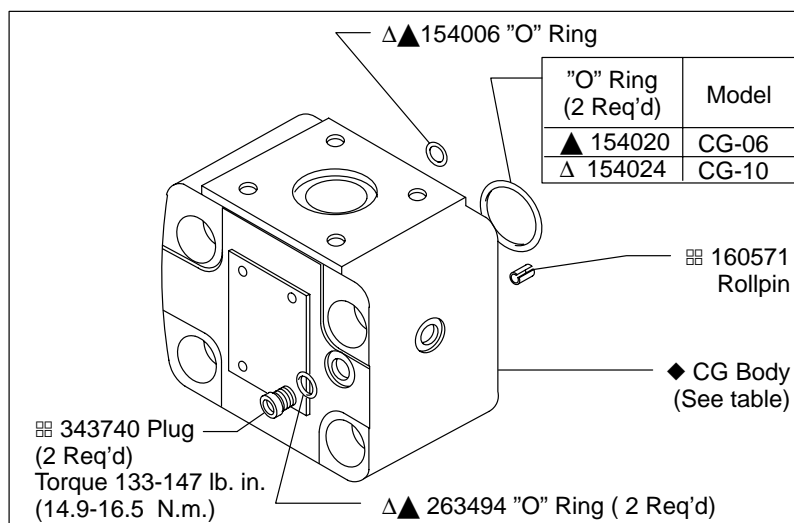


Part	Kit	Part	Kit
1485	944064	226816	944071
AX-36212	944053	227405	944074
64520	944068	292230	944072
113000	944055	326317	944073
160571	944069	329463	944041
218750	944070	343740	944038

Parts with \square available only in kits of 25. Reference kit on parts order.

Model	◆ Body	
	-06	-10
CG-	580456	581703
CS-	581701	580430
CT-	590348	590300

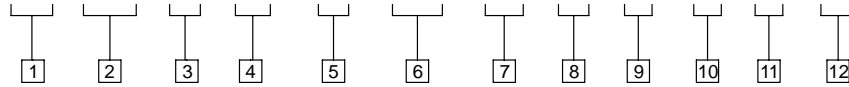
- \square Available only in Kits of 25
- \blacktriangle Included in F3-06 Seal Kit 919684
- \triangle Included in F3-10 Seal Kit 919685
- \bullet Included in CT-06-BC Cover Kit 942155
- \circ Included in CT-10-BC Cover Kit 942156
- \blacklozenge Not available for sale



"O" Ring (2 Req'd)	Model
\blacktriangle 154020	CG-06
\triangle 154024	CG-10

Model Code

F3 - C * - ** - ** - (V) - DG - 0A - M - M - W - B - 30



1 Seal Material

F3 - Seals for mineral oil and fire resistant fluids

2 Model Series

CGST - Relief valve, subplate, straight thread, NPTF thread

3 Nominal Size

06 - 3/4"
10 - 1 1/4"

4 Pressure Range Head 1, 2 or 3

	PSI	Bar
B	125-1000	(8, 5-70)
C	500-2000	(35-140)
F	1500-3000	(105-210)
E	Vent	

5 Spring

V - Hi vent spring
Omitted - Lo vent spring

6 Directional Valve

7 Spool Type & Spring Arrangement

DG4V-3-0A(L)-M-**-*-40
 (Refer to I-3861-S for detailed service information)

8 Flag Symbol Heading

Electrical features and options

9 DG4V-3 Pivot Valve & Adapter Plate

10 Wiring Housing

1/2" NPT thread

11 Coil Identification Letter

(Refer to I-3861-S)

12 Design

For satisfactory service life of these components in industrial applications, use full flow filtration to provide fluid which meets ISO cleanliness code 20/18/15 or cleaner. Selections from Eaton OFF, OFR, and OFRS series are recommended.