

Service Data

Vickers®

Flow Controls



Flow Control & Relief Valves

FM2, FM3 and RM3

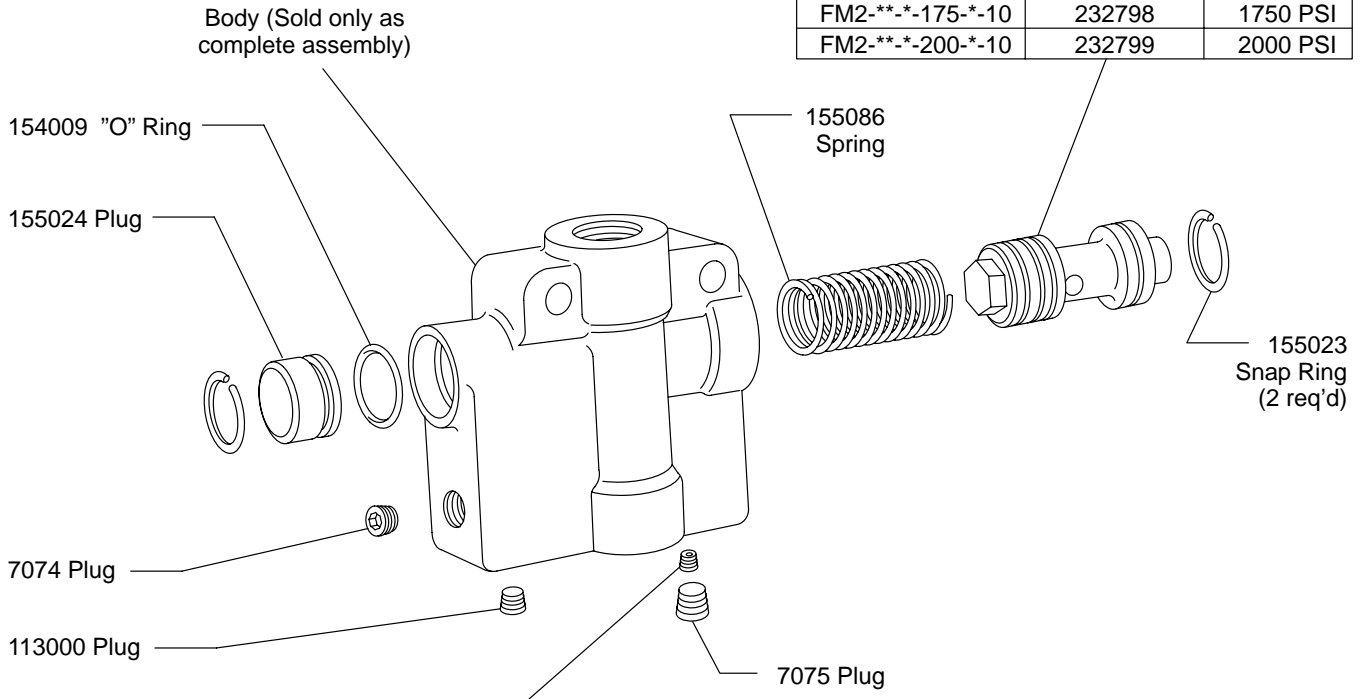


Revised 12/01/87

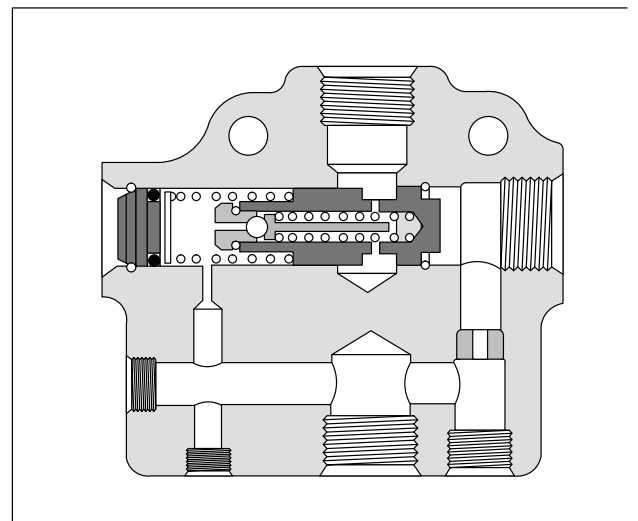
M-2551-S

FM2-0*-1*-*-10-S*

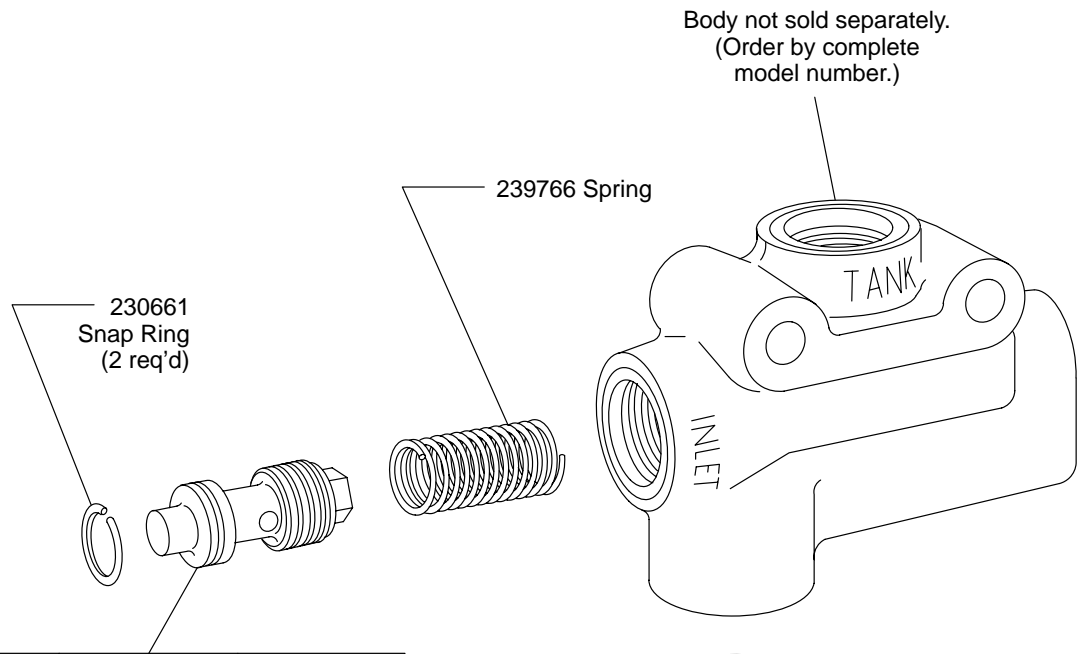
Model	Control Valve S/A	Pressure Setting
FM2-**-*-075*-10	232794	750 PSI
FM2-**-*-100*-10	232795	1000 PSI
FM2-**-*-125*-10	232796	1250 PSI
FM2-**-*-150*-10	232797	1500 PSI
FM2-**-*-175*-10	232798	1750 PSI
FM2-**-*-200*-10	232799	2000 PSI



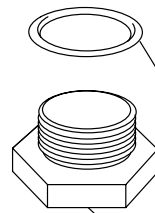
Model	Capacity (GPM)	Restriction Plug
FM2-**-*-2-10	2	167463
FM2-**-*-4-10	4	167464
FM2-**-*-6-10	6	167465
FM2-**-*-7-10	7	165359
FM2-**-*-8-10	8	167466



*M3-**-*-***-10



Model	Control Valve S/A	Relief Pressure
RM3-***-015-10	284219	150 PSI
FM3 & RM3-***-050-10	233018	500 PSI
FM3 & RM3-***-075-10	232794	750 PSI
FM3 & RM3-***-100-10	232795	1000 PSI
FM3-***-***-110-10	265620	1100 PSI
FM3 & RM3-***-125-10	232796	1250 PSI
FM3 & RM3-***-150-10	232797	1500 PSI
FM3 & RM3-***-175-10	232798	1750 PSI
FM3 & RM3-***-200-10	232799	2000 PSI
FM3 & RM3-***-225-10	233019	2250 PSI
FM3 & RM3-***-250-10	233020	2500 PSI
RM3-***-275-10	266200	2750 PSI
FM3-***-***-300-10	■ 266054	3000 PSI
FM3-***-***-350-10	■ 277557	3500 PSI

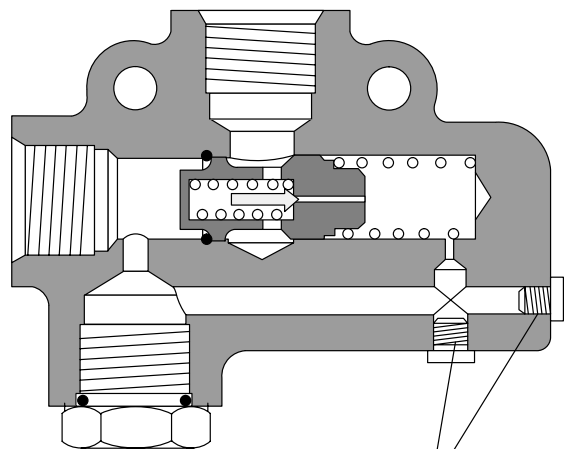


Model	Plug	"O" Ring
RM3-12S-***-10	186580	154129
RM3-14S-***-10	181792	154130
RM3-08P-***-10	7077	—



■ CAUTION

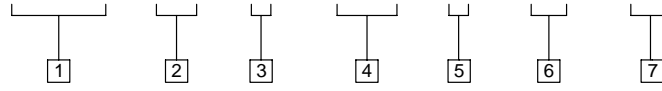
Models with cracking pressures 3000 psi and above require -005 model suffix feature. (NPT 7074 Plug in place of 1650 Ball.)



346344 Plug (2 req'd)
Torque to 7-7.5 lb. ft.

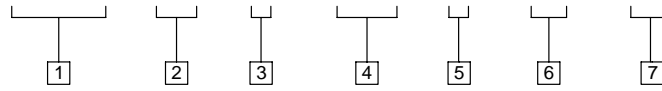
Model Code

FM 2 - ** - 1 - *** - * - 10 - S*



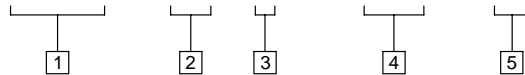
1 Model Series FM2 - Flow control & relief valve	4 Pressure Setting (PSI) 075 - 750 PSI 150 - 1500 PSI 100 - 1000 PSI 175 - 1750 PSI 125 - 1250 PSI 200 - 2000 PSI	6 Design 7 -S1 and -S2 Straight thread
2 Connection Type 00 - Straight thread 04 - Pipe thread	5 Capacity 2 USgpm 7 USgpm 4 USgpm 8 USgpm 6 USgpm	
3 Type Connection 1		

FM 3 - ** * - *** - *** - 10



1 Model Series FM3 - Flow control & relief valve	4 Flow Control Rate 015 - 1.5 USgpm 100 - 10.0 USgpm 020 - 2.0 USgpm 130 - 13.0 USgpm 030 - 3.0 USgpm 150 - 15.0 USgpm 040 - 4.0 USgpm 160 - 16.0 USgpm 050 - 5.0 USgpm 170 - 17.0 USgpm 060 - 6.0 USgpm 200 - 20.0 USgpm 070 - 7.0 USgpm 250 - 25.0 USgpm 080 - 8.0 USgpm	6 Relief Valve Setting (PSI) 050 - 500 PSI 175 - 1750 PSI 075 - 750 PSI 200 - 2000 PSI 100 - 1000 PSI 225 - 2250 PSI 110 - 1100 PSI 250 - 2500 PSI 125 - 1250 PSI 300 - 3000 PSI 150 - 1500 PSI 350 - 3500 PSI
2 Port Connections 08 - .500 inch (NPTF) 12 - .750 inch (NPTF) 14 - .875 inch (NPTF)		7 Design
3 Connection Type S - Straight thread P - Pipe threads		

RM 3 - ** * - *** - 10



1 Model Series RM3 - Relief valve	3 Connection Type S - Straight thread P - Pipe threads	4 Relief Valve Setting (PSI) (con't.) 175 - 1750 PSI 250 - 2500 PSI 200 - 2000 PSI 275 - 2750 PSI 225 - 2250 PSI
2 Port Connections 08 - .500 inch 12 - .750 inch 14 - .875 inch	4 Relief Valve Setting (PSI) 015 - 150 PSI 100 - 1000 PSI 050 - 500 PSI 125 - 1250 PSI 075 - 750 PSI 150 - 1500 PSI	5 Design

For satisfactory service life of these components in industrial applications, use full flow filtration to provide fluid which meets ISO cleanliness code 20/18/15 or cleaner. Selections from Eaton OFP, OFR, and OFRS series are recommended.