

Service Data

**Vickers®**

# Directional Controls

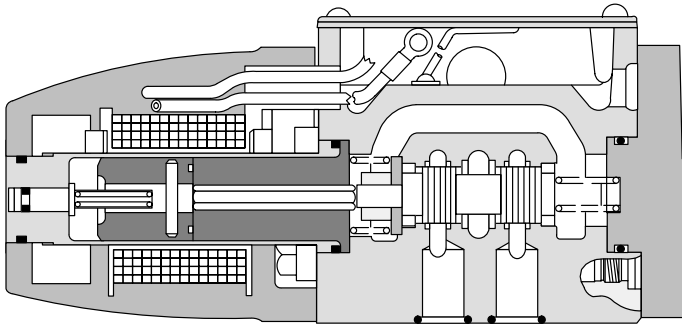
---



## Wet Armature Solenoid Operated Directional Valves

**F6-DG4S4-01\*A-W3-\*-50**





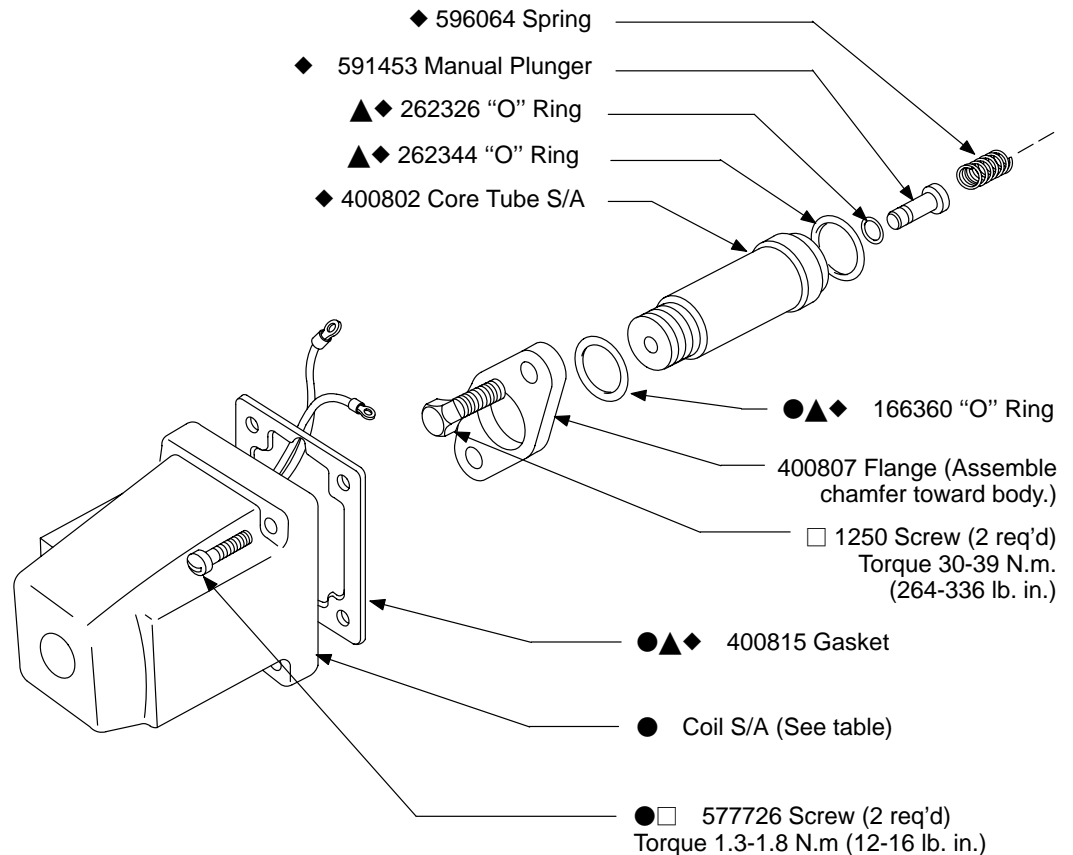
**NOTE**  
Part numbers prefixed with a symbol are available only as service kits.

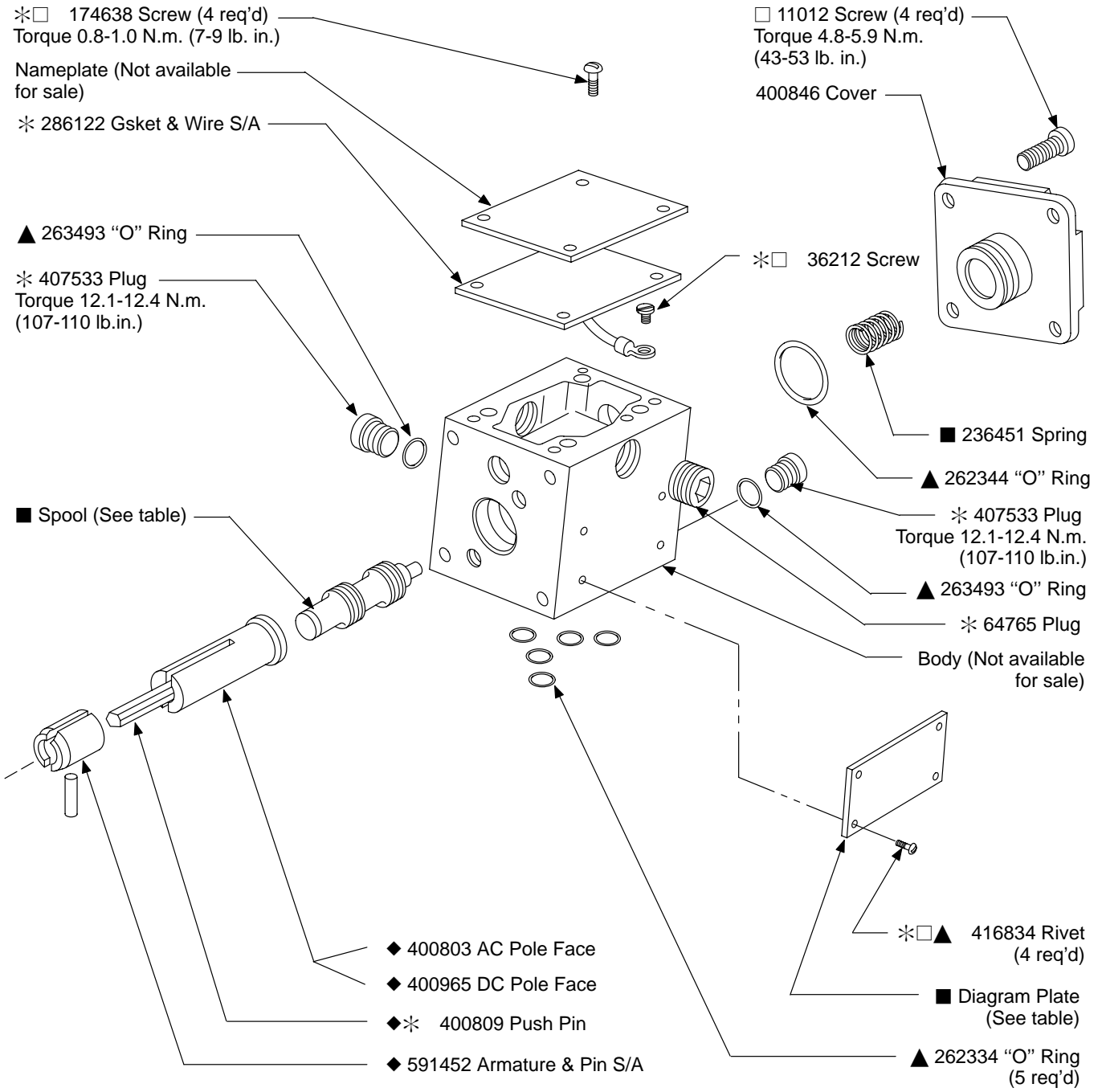
**NOTE**  
Right hand assembly shown. For left hand assembly all parts, except body, are reversed. Example of left hand model: F6-DG4S4-012A-W3-\*-50-LH.

| Model                   | Spool  | Diagram Plate | Spool Kit |
|-------------------------|--------|---------------|-----------|
| F6-DG4S4-010A-W3-*-50   | 572287 | 290348        | 940703    |
| F6-DG4S4-010A-W3-*-50LH |        | 577490        | 941011    |
| F6-DG4S4-012A-W3-*-50   | 463426 | 290348        | 940704    |
| F6-DG4S4-012A-W3-*-50LH |        | 577490        | 941012    |
| F6-DG4S4-016A-W3-*-50   | 572288 | 290348        | 740705    |
| F6-DG4S4-016A-W3-*-50LH |        | 577490        | 941013    |

Spool kit includes spool, diagram plate, seal kit, and part prefixed with a closed square symbol (■).

| ● Included in Coil Kit |          |                        |           |
|------------------------|----------|------------------------|-----------|
| ● Coil S/A             | Coil Kit | Model                  | Coil Code |
| 400823                 | 942466   | 110/50, 115/60, 120/60 | B         |
| 400824                 | 942467   | 220/50, 230/60         | D         |
| 400825                 | 942468   | 440/50, 460/60         | M         |
| 435755                 | 941017   | 127/50                 | EG        |





□ Included in Fastener Kit 942465

▲ Included in F3 Seal Kit 920109

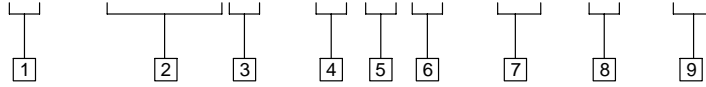
◆ Included in 941493 AC Core Tube Kit

◆ Included in 941416 DC Core Tube kit

| * Lot Kits (25 pcs. only) |        |
|---------------------------|--------|
| Part #                    | Kit#   |
| 174638                    | 944054 |
| 286122                    | 944042 |
| 36212                     | 944053 |
| 407533                    | 944040 |
| 416834                    | 944027 |
| 64765                     | 944042 |
| 400809                    | 926310 |

# Model Code

**F6 - DG4S4 \* - 01 \* A - W3 - \* - 50**



**1 Seals**

**F6** - High water base fluids

**2 Model Series**

**DG4S4** - Directional valve, manifold or subplate mounted, solenoid operated, sliding spool, 4-way flow direction

**3 Solenoid Indicator Lights**

**L** - Light  
(Omit for no lights)

**4 Series**

**5 Spool Type**

**6 Position**

**A** - Offset

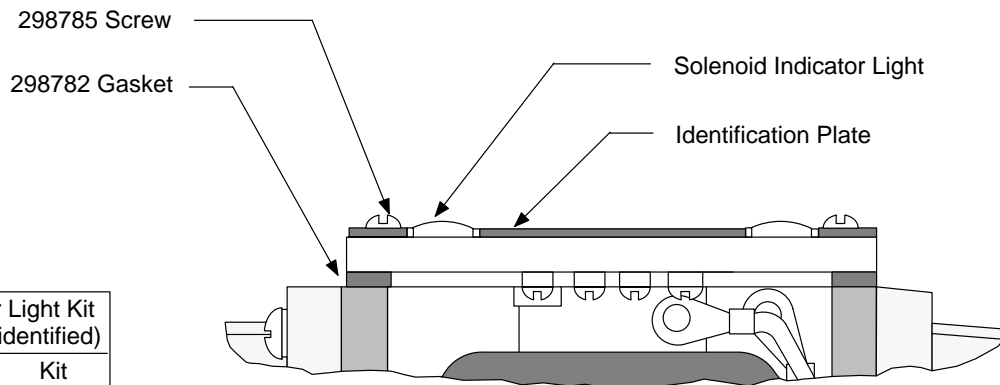
**7 Wet Armature**

**W3** - Serviceable core tube S/A

**8 Coil Identification Letter**

**9 Design**

**For Models with Solenoid Indicator Lights**



| Solenoid Indicator Light Kit<br>(Includes all parts identified) |        |
|---|--------|
| Voltage Range   | Kit    |
| 100 thru 127  | 941615 |
| 192 thru 233  | 941617 |

**NOTE**

Refer to parts drawing I-3487-S for models with plug-in feature.

For satisfactory service life of these components in industrial applications, use full flow filtration to provide fluid which meets ISO cleanliness code 18/15 or cleaner. Selections from Eaton OFF, OFR, and OFRS series are recommended.