

Service Data

Vickers®

Directional Controls



Wet Armature Pilot Operated Directional Valves

DG5S4-10*D-*-*-*-*-*-*-*80

MODEL	SPOOL	ID PLATE
DG5S4-100D-	364037	400967
DG5S4-101D-	*331404	400968
DG5S4-102D-	364038	400969
DG5S4-103D-	*277479	400970
DG5S4-104D-	281193	400971
DG5S4-106D-	364039	400972
DG5S4-108D-	364041	400971
DG5S4-109D-	277563	400967
DG5S4-1033D	364042	400972

* Assemble type 1 & 3 spools with narrow center land towards "A" end of valve. "A" end is defined as being closest to cylinder port "A".

PLUG INSTALLATION TABLE		
MODEL	PLUG "A"	PLUG "B"
-10*D	226987	OUT
-10*D-E	7074	226987
-10*DA	30560	OUT
-10*DA-E	7074	30560
-10*DAX	OUT	OUT
-10*DAX-E	7074	
-10*DB	224026	224026
-10*DB-E	7074	

PLUG TORQUES (OILED)		
PLUG	N.M	lb. in.
7074	8.5-9.6	75-85
30560	8.5-9.6	75-85
224026	8.5-9.6	75-85
226987	8.5-9.6	75-85
343740	10.0-11.8	90-105
363889	16.9-18.0	150-160
407533	3.4-4.0	30-35

NOTE

Parts included in service kits are not sold separately.

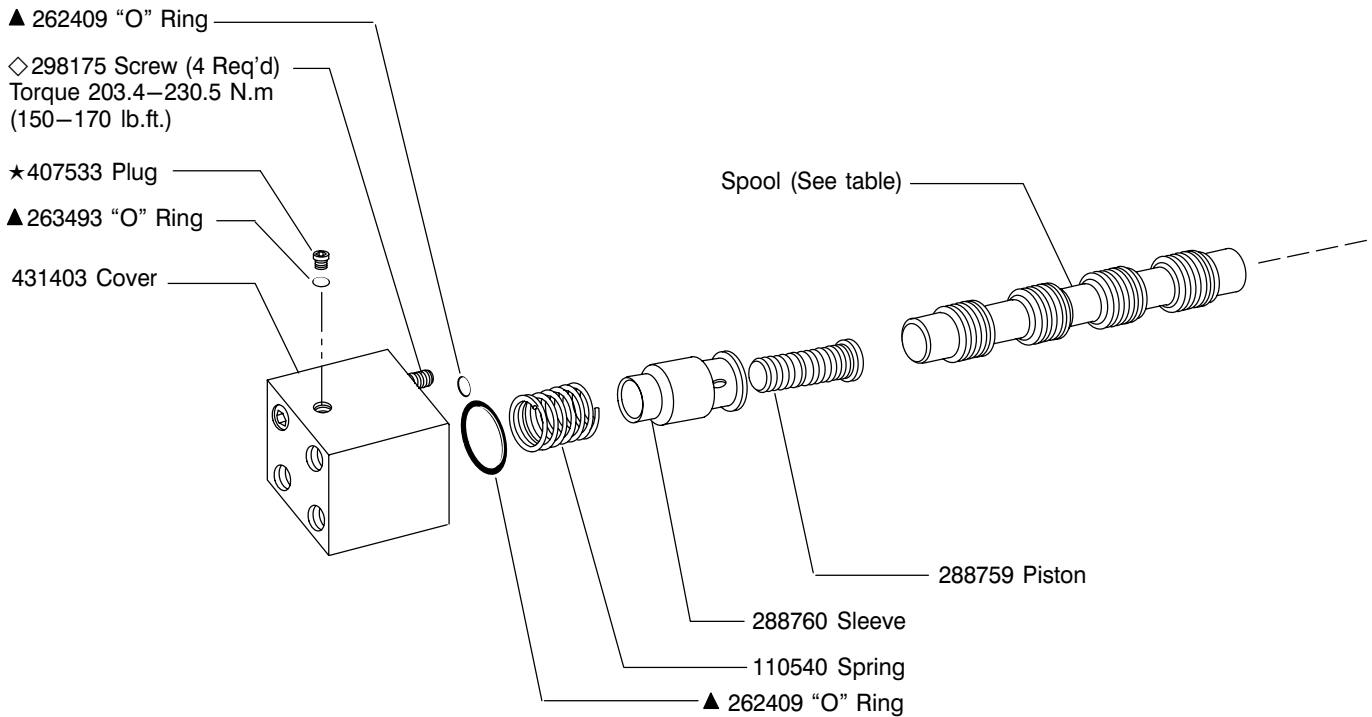
- ▲ Included in F3 Seal Kit 920213
- ◇ Included in Fastener Kit 941262
 - Included in Pilot Bolt Kit 255633
 - Included in Pilot Bolt Kit 255654
- ★ Included in Plug Kit 941263
- ◆ Not available for sale

Seal Kit Note

The -80 design valves are manufactured as shown with F3 seals used internally. Interface seals are standard Nitrile material and are converted to F3 in the seal kit. All seals in the seal kit are F3.

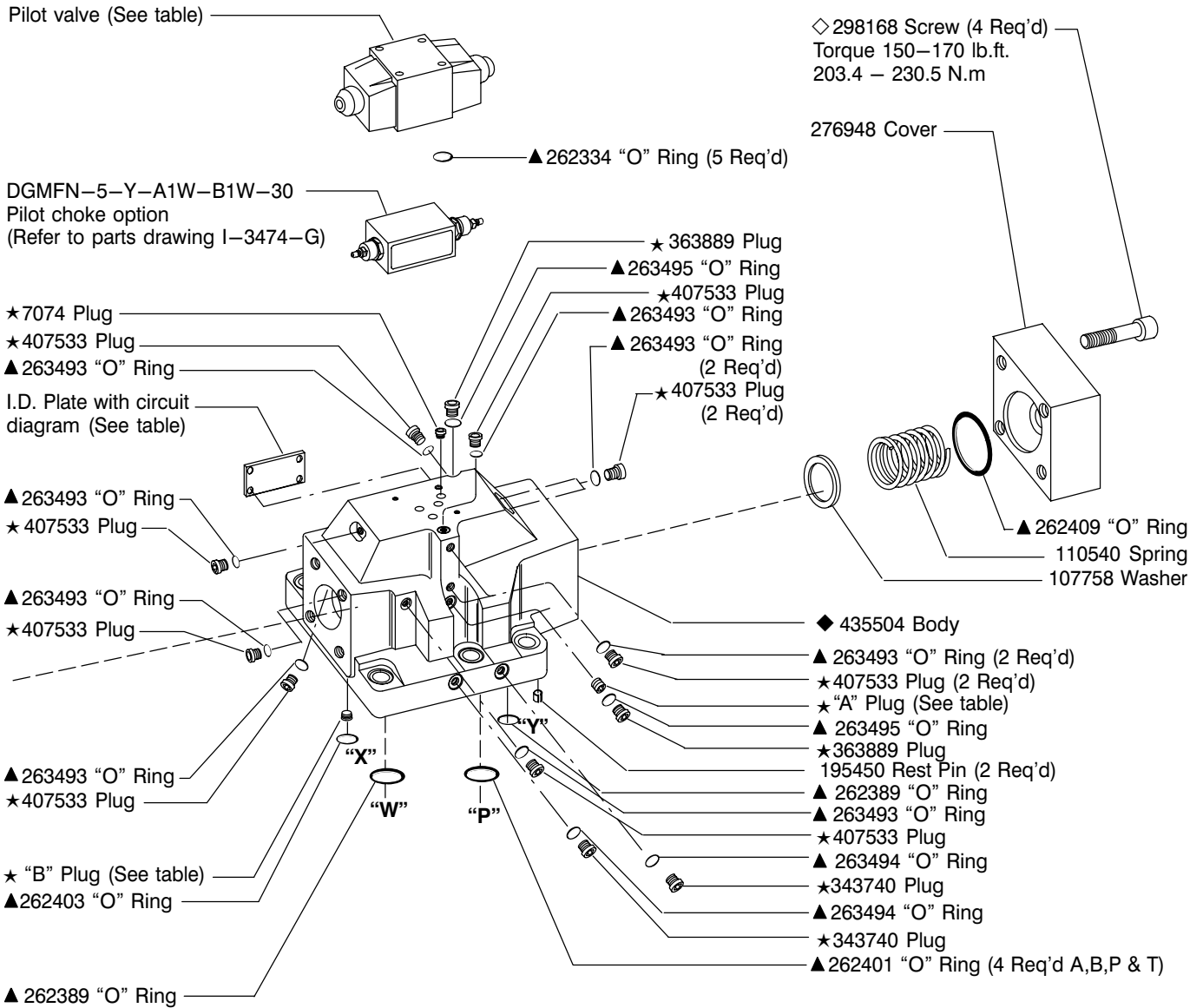
NOTE

For satisfactory service life of these components in industrial applications, use full flow filtration to provide fluid which meets ISO cleanliness code 18/15 or cleaner.

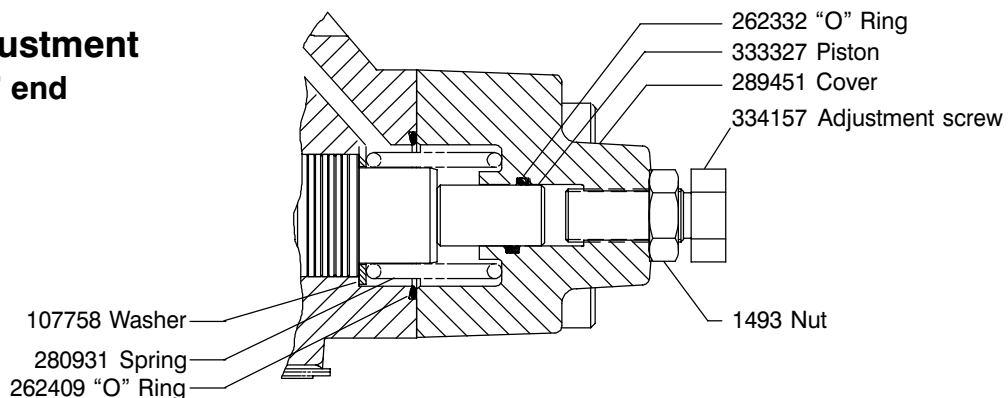


VALVE MODEL	MAIN STAGE SPOOL	PILOT VALVE MODEL	PILOT VALVE DRAWING
DG5S4-10*D-80	0,1,2,3,6,9,33	DG4S4-017C-60	I-3879-S
	4 & 8	DG4S4-0178C-60	

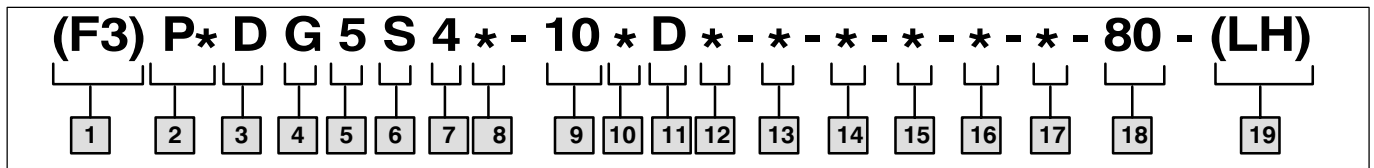
PILOT ATTACHING BOLT KITS	
MODEL	BOLT KIT
Without pilot choke	255633
With pilot choke	255654
Torque 110-112 lb.in. (11.3 - 12.65 N.m)	



Stroke Adjustment Cylinder "B" end only



Model Code



1 Special Seals

2 Electrical Options

(Omit if not required)
 PA – Insta plug valve with plug only
 PB – Insta plug valve with plug & receptacle

3 Directional Control Valve

4 Manifold or Subplate Mounted

5 Solenoid Controlled Pilot Operated

6 Sliding Spool

7 Flow Direction

4 – 4 Way

8 Electrical Accessories

L – Solenoid indicator lights
 Omitted – None

9 Valve Size

10 series – 1 1/4 inch

10 Main Stage Spool Types

0,1,2,3,4,6,8,9,& 3 3

11 Valve Type

D – Pressure centered

12 Pilot Pressure Range

A – 300 to 1000 psi
 (20 – 70 bar)
 B – 1000 to 2000 psi
 (70 – 138 bar)
 Omitted – 2000 to 3000 psi
 (138 to 207 bar)

13 Response

X – Fast response models (Available only for “A” pilot pressure range)
 Omitted – Standard low shock models

14 Spool Control Modifications

(Omit if not required)
 2 – Pilot choke adjustment
 8 – Stroke adjustment “B” end only
 2-2 – Pilot choke with stroke adjustment

15 Pilot Pressure

E – External pilot pressure
 Omitted – Internal pilot pressure

16 Pilot valve type

W – Wet armature

17 Coil identification letter

18 Design

19 Left Hand Assembly

(Omit for right hand assembly)