

Service Data

Vickers®

Directional Controls

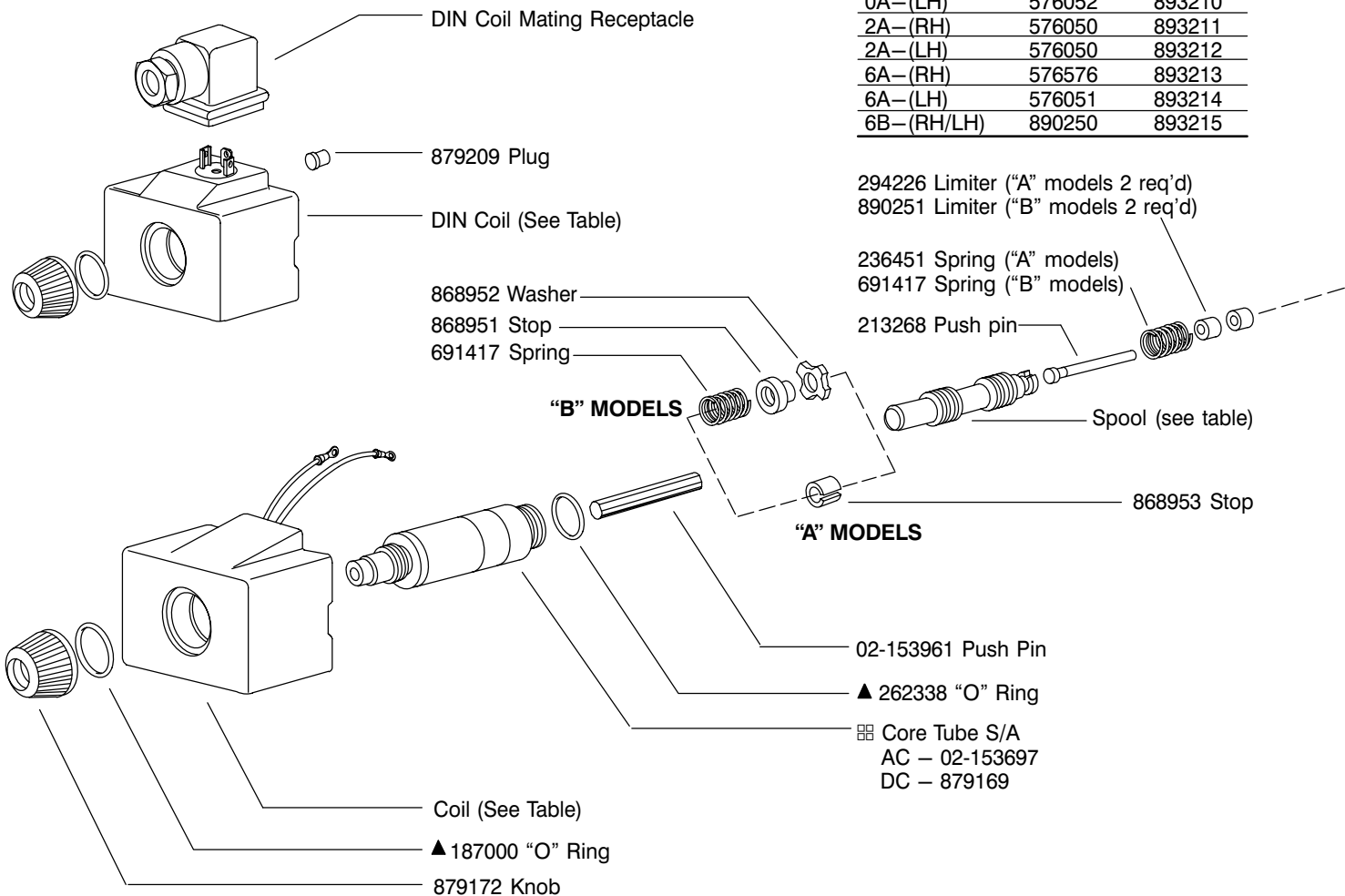


Wet Armature Directional Control Valves

SDG4S4-01*A/B-(U)-*-60

COIL S/A	COIL KIT	VOLTAGE		DC VOLT	COIL CODE	DIN COIL-KIT	
		60 HZ	50 HZ				
868982	892995	120	110		B	893007	879141
868983	892996	240	220		D	893008	879143
868984	892997	460	440		M	893009	879231
868985	892998		127		EG	893010	879232
879211			240		ED		879142
879212			110		A		879144
879213			220		C		879227
879214			24		NN		879228
879215	893003	100	100		T	893015	879229
879216	893004	380	380		DZ	893016	879230
02-101843		24	24		N		02-101845
02-101976		200	200		OV		02-127060
868987	892999			12	G	893011	879146
868988	893000			24	H	893012	879147
868986	893001			48	J	893013	879148
868990				110	P		879226
868991				100	R		879225
868992	893002			250	X	893014	879224
879233				125	DP		879149
02-119664		48	48		K		02-127061
02-119665			48		KK		02-127062
02-119666		24			NV		02-127063
02-300515		220			DN		02-300519
02-300516		115			EK		02-300520
02-300517		110	100		BX		02-300521
02-300518		320	200		DX		02-300522

SPOOL TYPE	PART	SPOOL KIT
0A-(RH)	576052	893209
0A-(LH)	576052	893210
2A-(RH)	576050	893211
2A-(LH)	576050	893212
6A-(RH)	576576	893213
6A-(LH)	576051	893214
6B-(RH/LH)	890250	893215



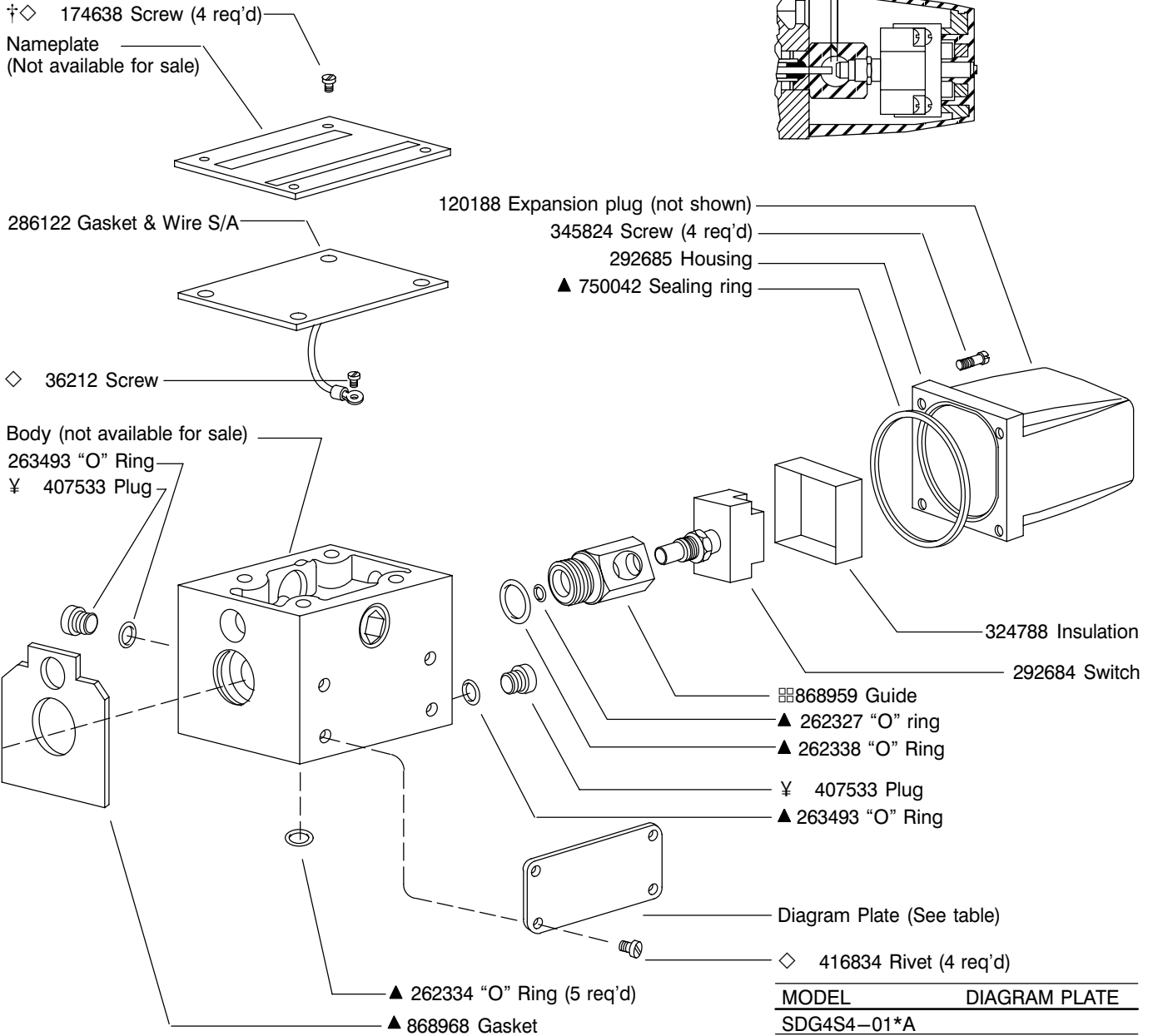
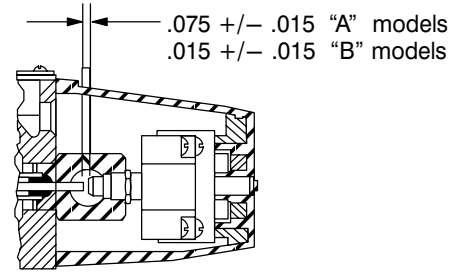
DC Coils with Surge Suppression Device Encapsulated

Coil S/A	DC Voltage	DIN Coil S/A	Coil Code
02-154795	12	02-154798	G
02-154767	24	02-154796	H

Refer to model code for ordering with surge suppression.

Note

Adjust gap, at assembly, per dimensions shown below. Rotate switch to nearest vertical position. Tighten jam nut.



MODEL	DIAGRAM PLATE
SDG4S4-01*A	290348 (R.H.) 577490 (L.H.)
SDG4S4-01*B	290345 (R.H./L.H.)

Note

Right hand assembly shown. For left hand assembly (-LH models), all parts of valve except body are reversed. Use left hand diagram plate. ("B" models use same plate for right and left hand)

Note

Parts numbers prefixed with symbols available only in kits.

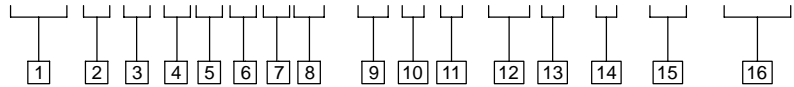
Note

For satisfactory service life of these components in industrial applications, use full flow filtration to provide fluid which meets ISO cleanliness code 18/15 or cleaner.

- ▲ Included in F3 Seal Kit 892976
- ◇ Included in Fastener Kit 893005
- 868959 Torque 24-29 N.m (18-22 lbf. ft.)
- ¥ Torque 12.1-12.4 N.m (107-110 lbf. in.)
- † Torque 0.8-1.01 N.m (7-9 lbf. in.)

Model Code

(F3) S D G 4 S 4 ** - 01 ** - (U) * - * - 60 - (LH)



1 Special Seals

Blank - Standard seals
F3 - Special seals

2 Monitor Switch

3 Directional Control Valve

4 Manifold or Subplate Mounted

5 Solenoid Operated

6 Sliding Spool

7 Flow Direction

4 - Four way

8 Electrical Accessories

L - Solenoid indicator lights
W - Wiring housing
LW - Wiring housing with indicator lights
WT - Wiring housing with terminal strip

9 Interface

01 - ISO-4401-AC-50-4-A NFPA D05
 (1/8 in. nominal size)

10 Spool Types

0, 2, 6

11 Spool/Spring Arrangement

A - Spring offset P to A
B - Spring centered, solenoid
 "A" removed

12 Wet Armature Solenoid

(non-serviceable core tube)

Blank - Flying lead coils

U - DIN 43650 coils w/o electrical plug

13 Coil Type

7 - Coil with surge suppression
 (DC models only 12 & 24V DC)

14 Coil Identification Letters

15 Design

16 Left Hand Assembly

(Omit for right-hand assembly)

Light Kits

Solenoid Indicator Light Kit
 (Includes all parts identified)

Voltage Range	Kit
100 thru 127	941615
192 thru 233	941617

