

Directional Valves



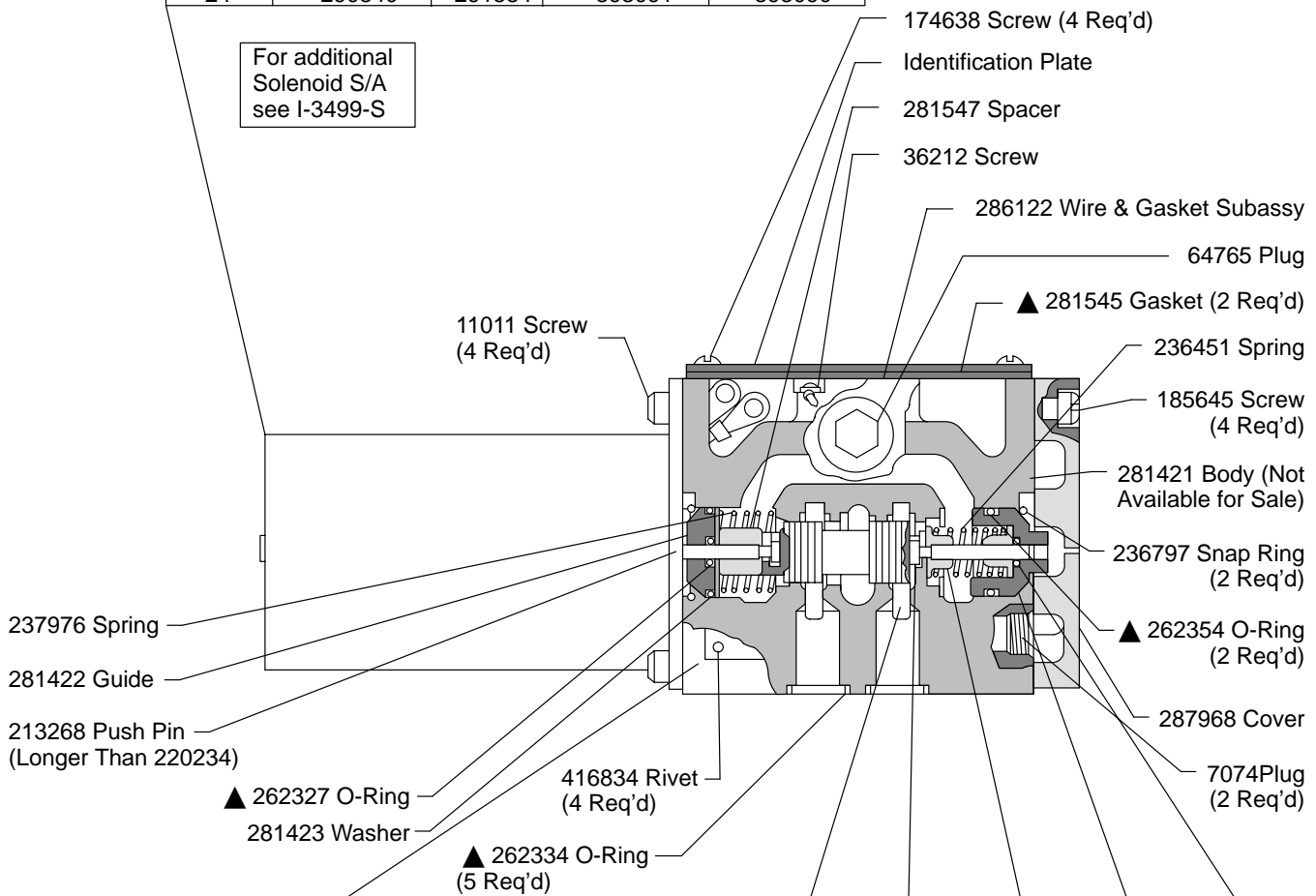
Spring Offset Solenoid Controlled Directional Valves

DG4S2-012A-*DC-50

DG4S4-01*A-*DC-50

| Voltage DC | Solenoid S/A (2 Req'd) | Coil S/A (2 Req'd) | Solenoid S/A F3 (2 Req'd) | Coil S/A F3 (2 Req'd) |
|------------|------------------------|--------------------|---------------------------|-----------------------|
| 12 | 290839 | 291583 | 751283 | 751284 |
| 24 | 290840 | 291584 | 393091 | 393090 |

For additional Solenoid S/A see I-3499-S



| Model | Diagram Plate | |
|-----------|---------------|--------|
| | RH | LH |
| DG4S2(L)- | 290347 | 577488 |
| DG4S4(L)- | 290348 | 577490 |

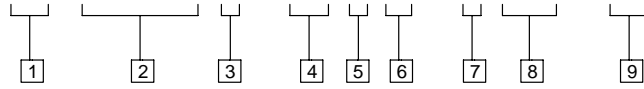
| Model | Spool | Push Pin | Limiter (2 Req'd) | Guide | ▲ O-Ring |
|-------------------|--------|----------|-------------------|--------|----------|
| DG4S2-012A-*DC-50 | 220344 | — | — | 281424 | — |
| DG4S4-010A-*DC-50 | 213230 | — | — | — | — |
| DG4S4-012A-*DC-50 | 213231 | 220234 | 294226 | 284931 | 262327 |
| DG4S4-016A-*DC-50 | 213232 | — | — | — | — |

Right hand assembly shown. In left hand assembly all parts of valve except body are reversed.
Example of L.H. model:
DG4S4-012A-*DC-50-LH

▲ Included in F3 Seal Kit 919359

Model Code

F3 DG4S * - 01 * A - * DC - 50



1 Seal Material

F3 - Viton

4 Series

5 Spool Type

7 Solenoid Voltage

8 DC Solenoid

2 Model Series

DG4S - Directional valve, gasket mounted, solenoid operated, sliding spool

6 Spring Offset

9 Design

3 Flow Directions

2 - 2 way

4 - 4 way

For satisfactory service life of these components, use full flow filtration to provide fluid which meets ISO cleanliness code 20/18/15 or cleaner. Selections from Eaton OFF, OFR, and OFRS series are recommended.