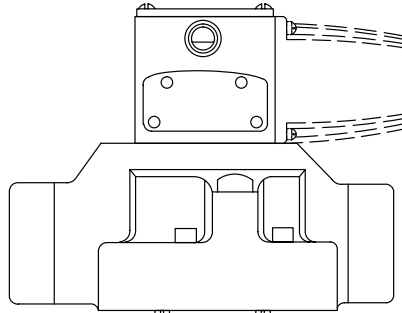
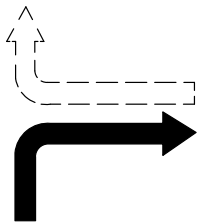
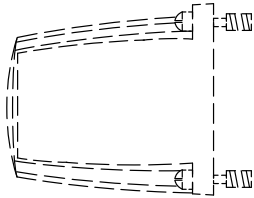




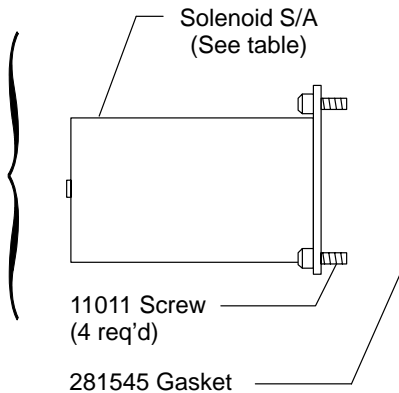
Directional Valves with Direct Current Solenoids

THIS PART
↓
IS REPLACED BY



The same change applies to this end for models with two solenoids

THESE PARTS



Voltage DC	Solenoid S/A	Coil	F3 S/A Solenoid	F3 Coil
6	290838	291582	—	—
12	290839	291583	751283	751284
24	290840	291584	393091	393090
28	320223	320224	—	—
30	320227	320228	—	—
32	323224	323225	—	—
36	326039	326311	—	—
40	392502	392503	—	—
48	324739	324740	585214	585215
50	385683	385684	—	—
60	320641	320642	—	—
72	326043	326315	—	—
90	326038	326310	—	—
110	320218	320219	750463	750464
115	321986	321987	—	—
120	326041	326313	—	—
125	318717	318718	751264	751265
130	326042	326314	—	—
220	326040	326312	751270	751276
230	318392	318393	751266	751267
240	326044	326316	751268	751269
250	306083	306084	751272	751273

On Model	Shown on Drawing			To Make Model
	-50	-51	-53/54	
DF5S4-16*A-50/53	I-3486-S	—	I-3622-S	DF5S4-16*A-*DC-50/53
DF5S4-16*B-53	—	—		DF5S4-16*B-*DC-53
DF5S4-16*C-50/53	I-3482-S	—		DF5S4-16*C-*DC-50/53
DF5S4-16*N-50/51/53		I-3482-S		—
DF5S4-06*A-50/51	I-3492-S	I-3502-S	—	DG5S4-16*A-*DC-50/51
DF5S4-06*C-50/51	I-3490-S	I-3473-S	—	DG5S4-06*C-*DC-50/51
DF5S4-06*D-50/51	I-3493-S	I-3504-S	—	DG5S4-06*D-*DC-50/51
DF5S4-06*N-50/51	I-3491-S	I-3474-S	—	DG5S4-06*N-*DC-50/51
DF5S4-10*A-50/51/53/54	I-3496-S	I-3513-S	I-3624-S	DG5S4-10*A-*DC-50/51/53/54
DF5S4-10*B-53/54	—	—		DG5S4-10*B-*DC-53/54
DF5S4-10*C-50/51/53/54	I-3494-S	I-3509-S		DG5S4-10*C-*DC-50/51/53/54
DF5S4-10*D-50/51/53/54	I-3497-S	I-3514-S	I-3625-S	DG5S4-10*D-*DC-50/51/53/54
DF5S4-10*N-50/51/53/54	I-3495-S	I-3512-S	I-3624-S	DG5S4-10*N-*DC-50/51/53/54

Model Code

D * 5 S 4 (L) - * * * * (X) (*) - (*) - (E) - (T) - (*) - * DC - 5*

1 2 3 4 5 6 7 8 9 10 11 12 13 14 15 16 17 18

1 Model Series

D - Directional valve

2 Mounting

F - Flange connection
G - Subplate or manifold mounted

3 Operation

Solenoid controlled, pilot operated

4 Sliding Spool

5 Flow Directions

4 - 4 way

6 Indicator lights

L - Solenoid
Omitted - None

7 Series

06 - Series 60
10 - Series 100
16 - Series 160

8 Type of Main Stage Spool

9 Spring

A - Spring offset
C - Spring centered
D - Pressure centered
N - No-spring detented

10 Pressure

"X" - Fast response models
(for 100 series pressure centered models, "X" is available in the "A" pilot pressure range only)
Omitted - Low shock model

11 Pilot Pressure Range (100 series pressure)

A - 300 to 1000 PSI
B - 1000 to 2000 PSI

12 Spool Control Modifications (Omit if not required)

1 - Stroke adjustments
2 - Pilot choke
3 - Pilot choke and stroke adjustment
7 - Stroke adjustment "A" end only
8 - Stroke adjustment "B" end only

13 Pilot Pressures

E- External pilot pressure
Omitted - Internal pilot pressure

14 Pilot Drain

T- Internal pilot drain
(not available on open center spools unless external pilot pressure (E) is used)
Omitted - External pilot drain

15 Check Valve

K- 5 PSI cracking pressure
L- 30 PSI cracking pressure
R- 50 PSI cracking pressure
S- 75 PSI cracking pressure

16 DC Solenoid

17 Solenoid Voltage

18 Design

-50/-51/-53/-54

