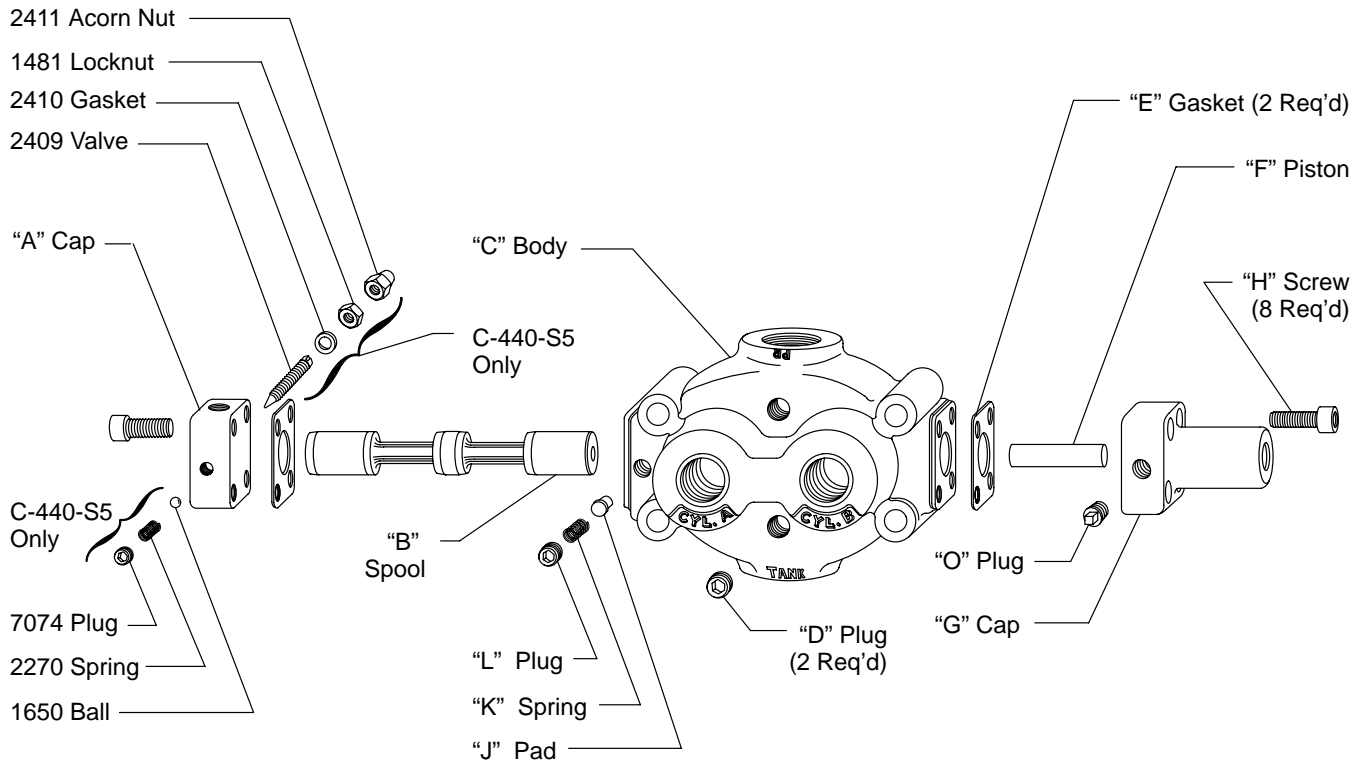


Pilot Operated 4-Way Valves C2-400-S5 & C2-1400-S5



Model Number	A Cap	B Spool	C Body	D Plug	E Gasket	F Piston	G Cap	H Screw	J Pad	K Spring	L Plug	M Name Plate	N Screw	O Plug			
C-440-S5	7291	301-X	298-X	7075	2407		13436	1071									
C-480-S5	3019	3020	3018	-	82518	13437	32296	1072						16127			
C-482-S5			10299	-	2407		13436	1071					17258	5X-15216			
C-1420-S5	13436	6371	6370	7075													
C2-420-S5	30002	301-X	423-X	7075	82518	13437	32296	1072									
C2-440-S5			298-X														
C2-480-S5		3020	3018	-							1072-A						16127
C2-482-S5			10200								1072				17258	3X-36212	
C2-1420-S5		29261	6370	7075													
C2-1440-S5	43387	5756	29171	-	2118	1327-X	43388	1113	2571-X	49143	7075	36688	3X-36212	-			
C2-1460-S5			21568														