

Service Data

Vickers®

Directional Controls

Manual Lever Operated Directional Valve



DG17S4-10*A-53

DG17S4-10*C-53

DG17S4-10*N-53



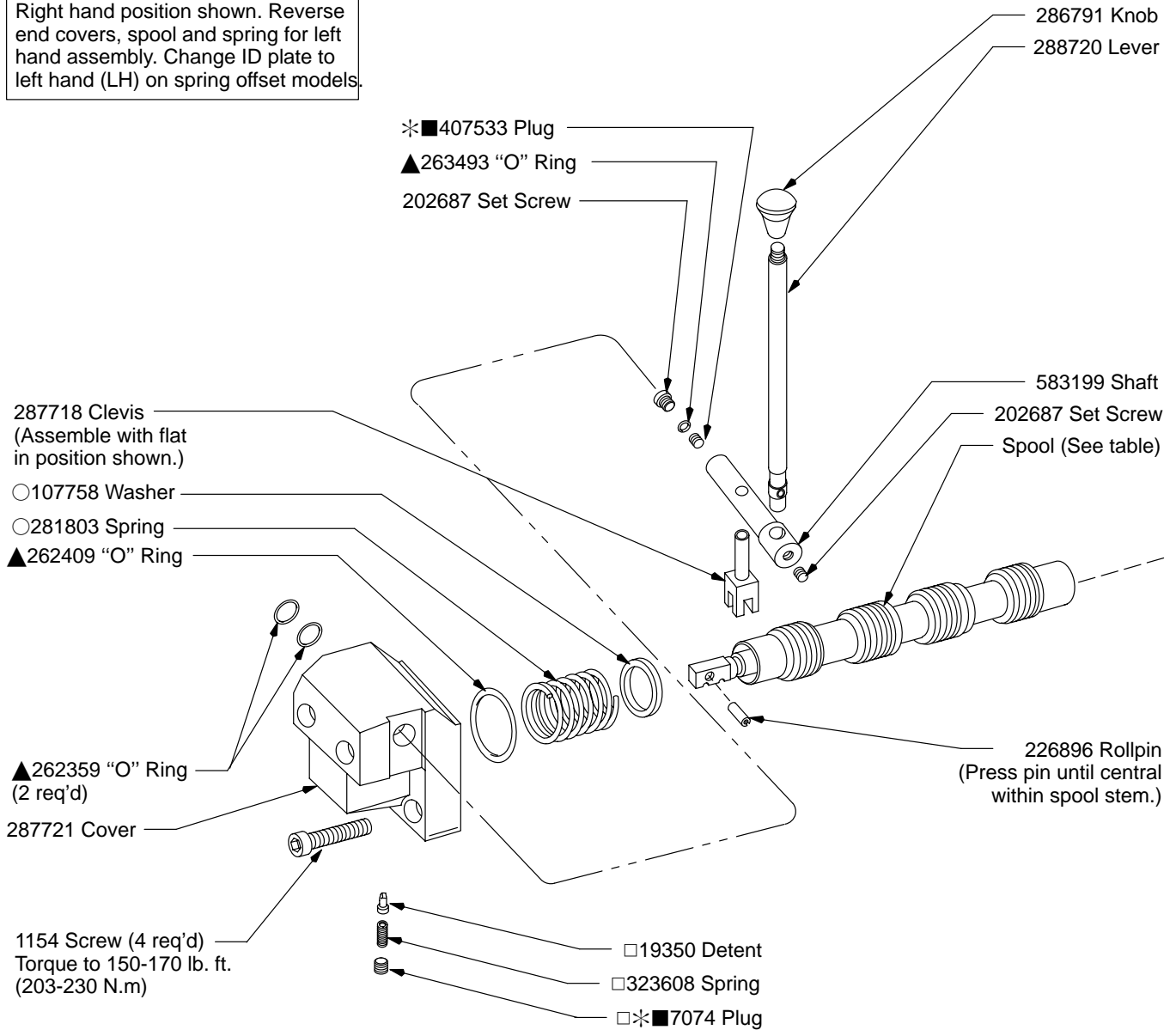
| Model | Spool | ID Plate w/ Circuit Diagram | | | |
|------------------|--------|-----------------------------|--------|-------------------|----------------------|
| | | Offset (A) | | Spring Center (C) | No-Spring Detent (N) |
| | | LH | RH | | |
| DG17S4-100A/C/N | 282281 | | | 431900 | 431903 |
| DG17S4-102A/C/N | 282287 | 434310 | 431539 | 431540 | 431541 |
| DG17S4-104C/N | 282286 | | | 431549 | 431905 |
| DG17S4-106A/C/N | 282283 | 434310 | 431539 | 431902 | 431906 |
| DG17S4-108C/N | 282339 | | | 431549 | 431905 |
| DG17S4-1033A/C/N | 282285 | 434310 | 431539 | 431902 | 431906 |

| ■ Plug Torque | | |
|---------------|-----------|---------|
| Plug | N.m | lb. in. |
| 7074 | 8.47-9.6 | 75-85 |
| 343740 | 10.0-11.8 | 90-105 |
| 407533 | 3.4-4.0 | 30-35 |

| Rod | Model |
|--------|-------|
| 323774 | C/N |
| 324348 | A |

Note
Parts included in service kits not sold separately.

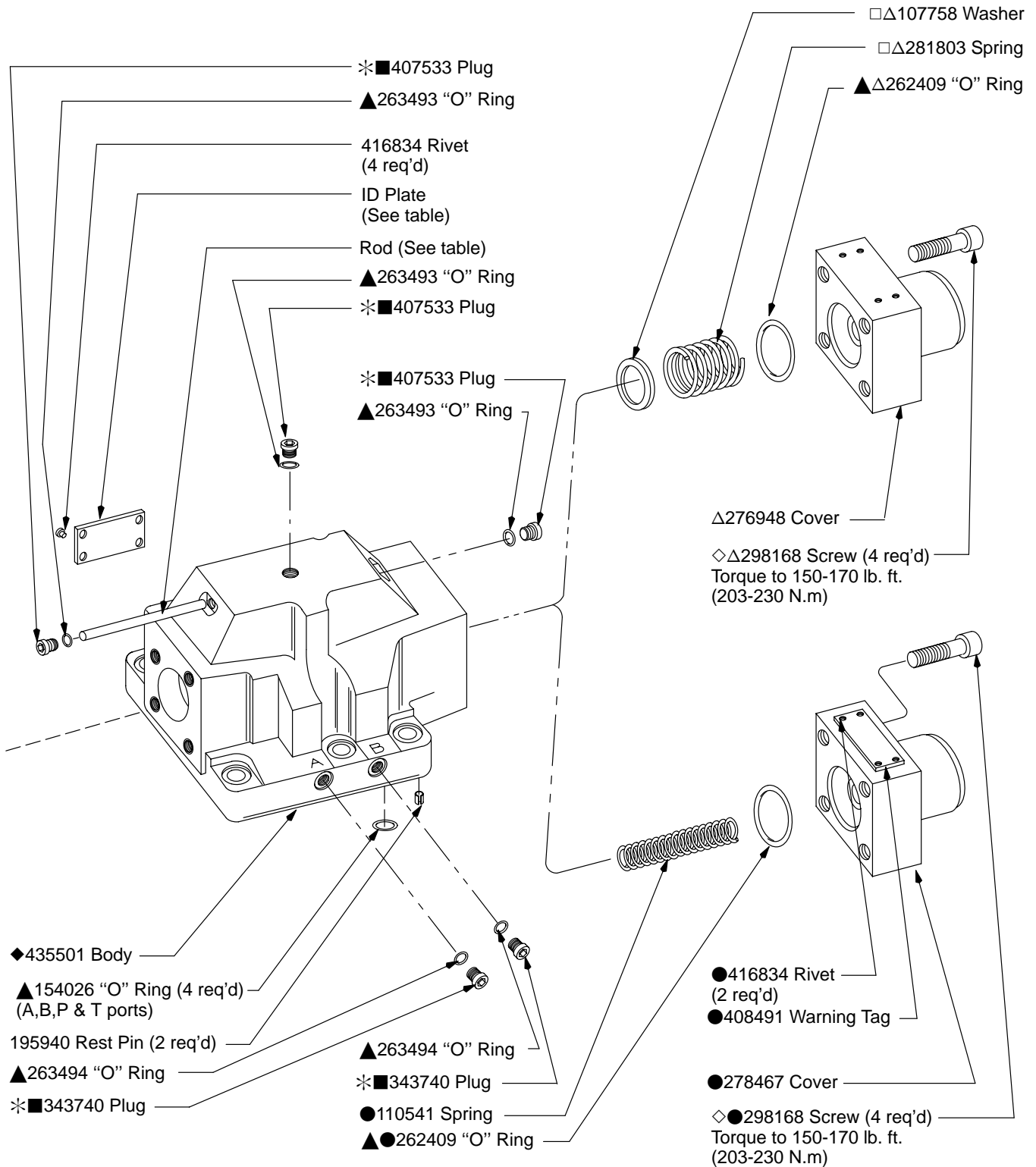
Note
Right hand position shown. Reverse end covers, spool and spring for left hand assembly. Change ID plate to left hand (LH) on spring offset models.



□Use with No-Spring Detented models.
Omit for Offset and Spring Centered.

○Use on Spring Centered (C) models only.

▲Included in F3 seal kit 920153
◇Included in Fastener kit 941293
*Included in Plug kit 941294
■Plug torque (See table)
◆Not available for sale

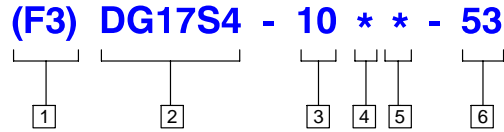


△Use with No-Spring Detented (N) and Spring Centered (C) models only..

●Parts for Spring Offset (A) models only.

Seal Kit Note
 The -53 design valves are manufactured as shown with F3 seals used internally. Interface seals are standard Nitrile material and are converted to F3 in the seal kit. All seals in the kit are F3.

Model Code



1 Seals

F3 - Multi-fluid capability (Viton® seals)
Viton is a registered trademark of E.I. DuPont

3 Valve Size

100 series - 1.250 inch (31,7 mm)

5 Valve Type

- A** - Spring offset
- C** - Spring centered
- N** - No-spring detented

2

Model Series

Directional control valve, manifold or subplate mounted, manual lever operated, sliding spool, 4–4 way flow directions

4 Spool Types

6 Design

For satisfactory service life of these components, use full flow filtration to provide fluid which meets ISO cleanliness code 16/13 or cleaner. Selections from pressure, return, and in-line filter series are recommended.