

Service Data

Vickers®

Directional Controls



Manual Lever Operated Directional Valve

DG17S-8-*A-10

DG17S-8-*C-10

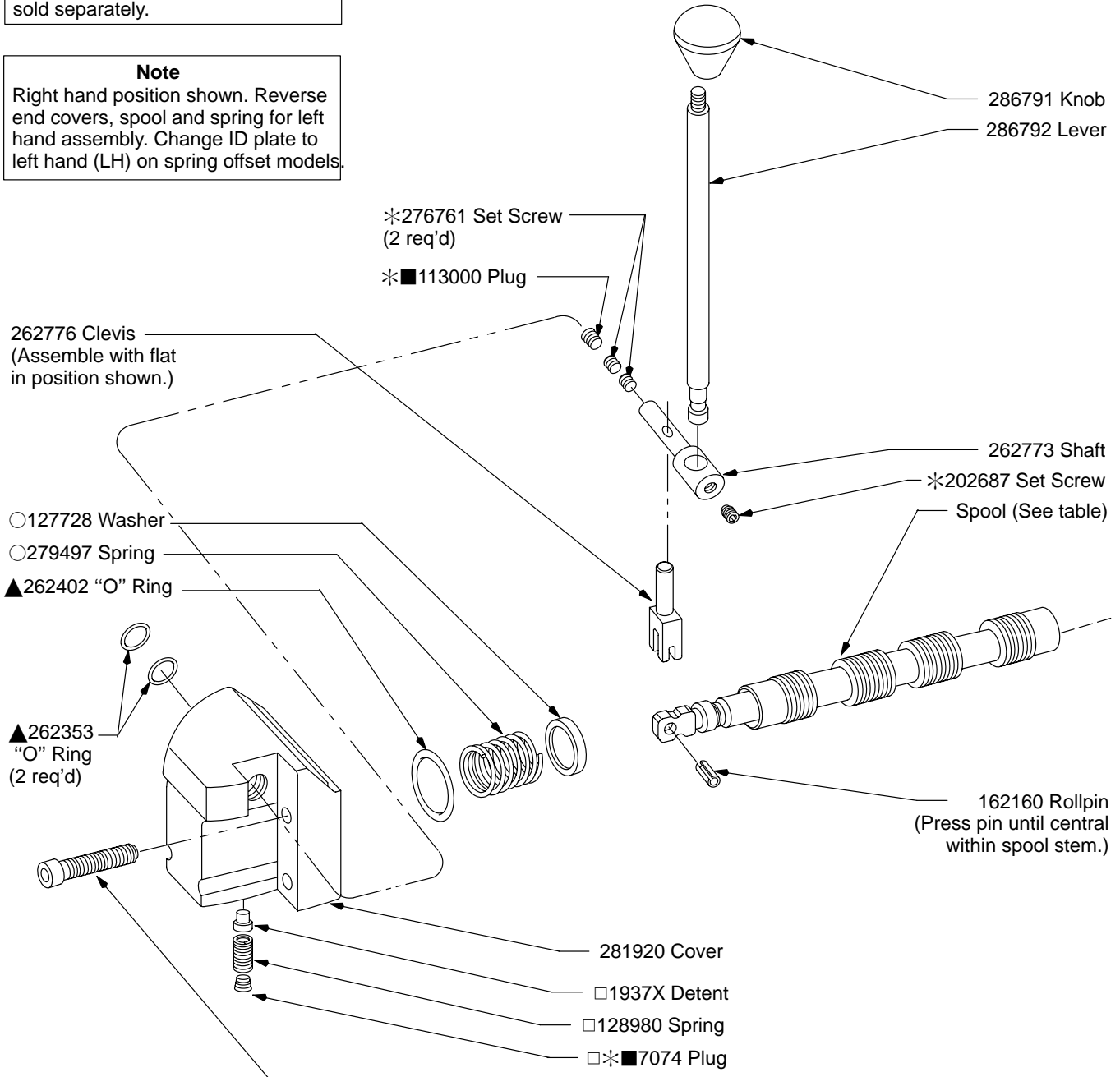
DG17S-8-*N-10

Model	Spool	ID Plate w/ Circuit Diagram			
		Offset (A)		Spring Center (C)	No-Spring Detent (N)
		LH	RH		
DG17S-8-0A/C/N	281922			431900	431903
DG17S-8-2A/C/N	281924	434310	431539	431540	431541
DG17S-8-3C/N	320915	—	—	431901	431904
DG17S-8-4C/N	281926			431549	431905
DG17S-8-6A/C/N	281927	434310	431539	431902	431906
DG17S-8-8C/N	281929	—	—	431549	431905
DG17S-8-33A/C/N	281930	434310	431539	431902	431906

■ Plug Torque		
Plug	N.m	lb. in.
7074	8.5-9.6	75-85
113000	5.0-5.9	45-52
343740	10.0-11.8	90-105
398071	3.4-4.0	30-35
407533	3.4-4.0	30-35

Note
Parts included in service kits not sold separately.

Note
Right hand position shown. Reverse end covers, spool and spring for left hand assembly. Change ID plate to left hand (LH) on spring offset models.

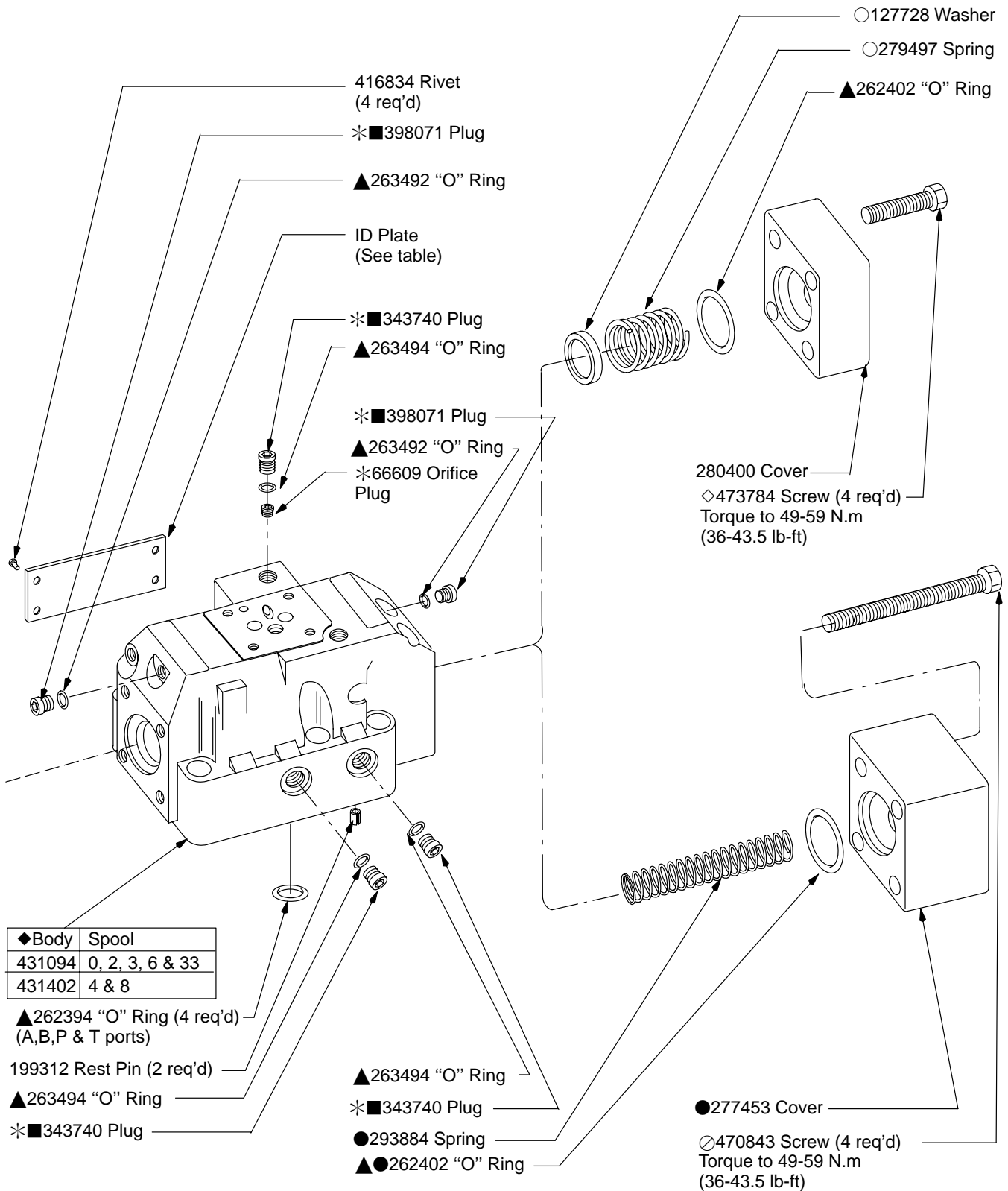


○ Use on Spring Centered (C) models only. Omit on No-Spring Detent (N) and Spring Offset (A) Models.

◇ 473783 Screw (4 req'd)
Torque to 59-73 N.m
(43.5 - 53.8 lb-ft)

□ Use with No-Spring Detented Models. Omit for Offset and Spring Centered Models.

▲ Included in F3 seal kit 920149
◇ Included in Fastener kit 941172
◇ Included in Fastener kit 941173
* Included in Plug kit 941177
◆ Not available for sale

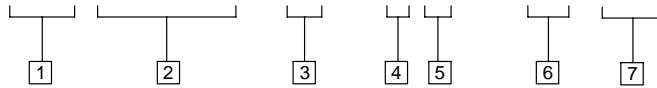


△Use with No-Spring Detented (N) and Spring Centered (C) models only.

●Parts for Spring Offset (A) models only.

Model Code

(F3) DG17S - 8 - * * - 10 (LH)



1 Seals

F3 - Multi-fluid capability (Viton® seals)
Viton is a registered trademark of E.I. DuPont

2

Model Series

Directional control valve, subplate mounted, manual lever operated, rated at 210 bar (3000 psi)

3 Interface

8 - CETOP 8

4 Spool Types

5 Valve Type

- A** - Spring offset
- C** - Spring centered
- N** - No-spring detented

6 Design

7 Spring Offset Models Only

LH - Offset to "B". omit for standard
 Offset to "A" models shown

For satisfactory service life of these components, use full flow filtration to provide fluid which meets ISO cleanliness code 18/16/13 or cleaner. Selections from pressure, return, and in-line filter series are recommended.

Printed in U.S.A.