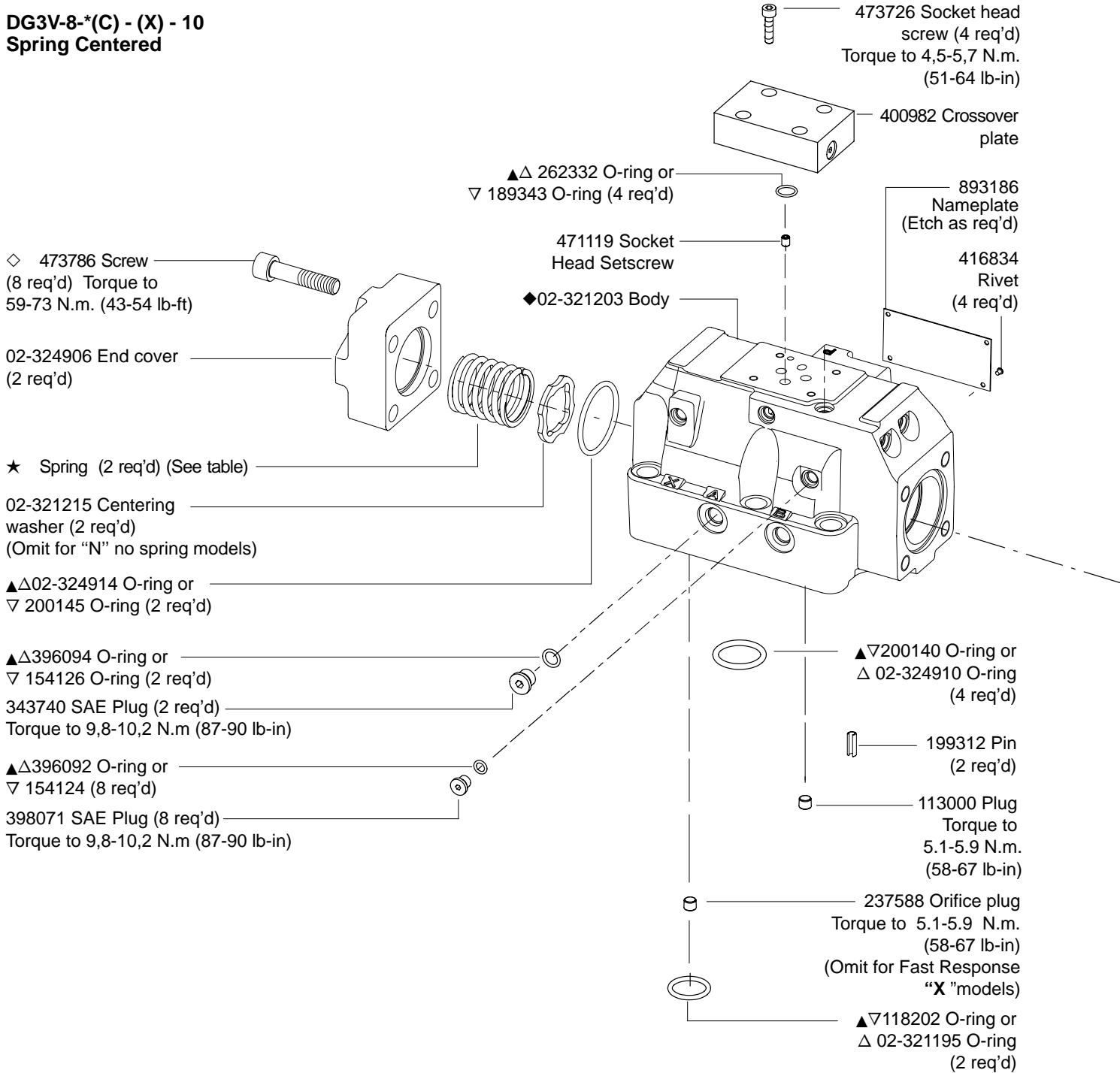




Hydraulic Operated Directional Valves

(F*) – DG3V – 8 (B) – ** – (L) – (X) – (*) – (*) – 10 – (EN**)

DG3V-8-*(C) - (X) - 10
Spring Centered



★ **Centering Spring Options**

Part No.	Description	Spool Types
783665	Centering Spring●	2,3,6,7,31,33,52,521
02-321216		0,1,11,9
926840		4,8

●Omit centering springs for "N" No Spring models

- △ Included in 02-329323 F3 Seal Kit
- ▽ Included in 02-330405 F6 Seal Kit
- ▲ Included in 02-330404 Standard Seal Kit
- Included in 02-329322 Stroke Adj. Kit
- ◇ Included in 02-329325 Fastener Kit
- ◆ Not available for sale

Seal Kit Note:

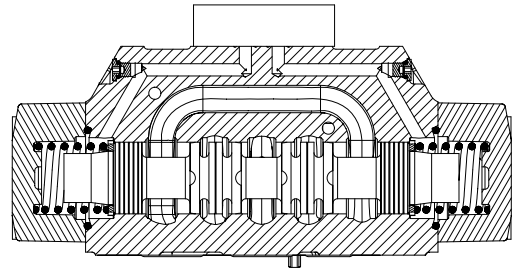
All internal seals of the mainstage are F3 (Viton®). Mounting face seals are standard (Buna-N). F6 seals are special (Nitrile) and are used throughout the valve assembly.

® Viton is a registered trademark of E.I. DuPont

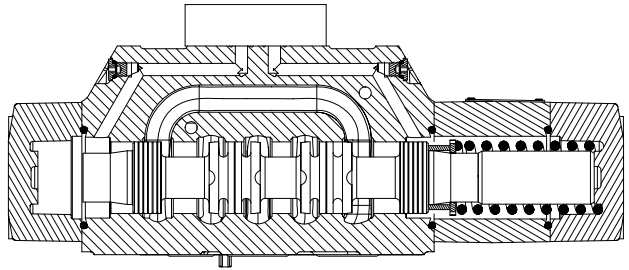
⊗ Spool Type	Part Number
0	02-324575
1	02-324576■
2	02-324577
3	02-324578■
4	02-324579
6	02-324580
7	02-324581
8	02-324582
9	02-324583
11	02-324576■
31	02-324578■
33	02-324584
52	02-324585■
521	02-324585■

■ Assemble with narrow center land towards "A" end of valve.

■ Assemble with narrow center land towards "B" end of valve.

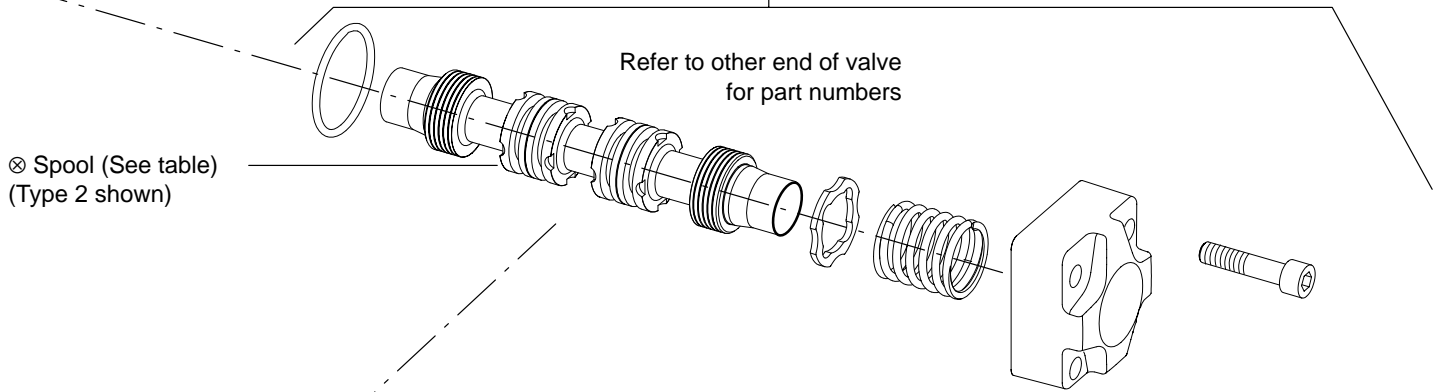


Spring Centered Cross Sectional View
DG3V-8-(C)-(X)-10

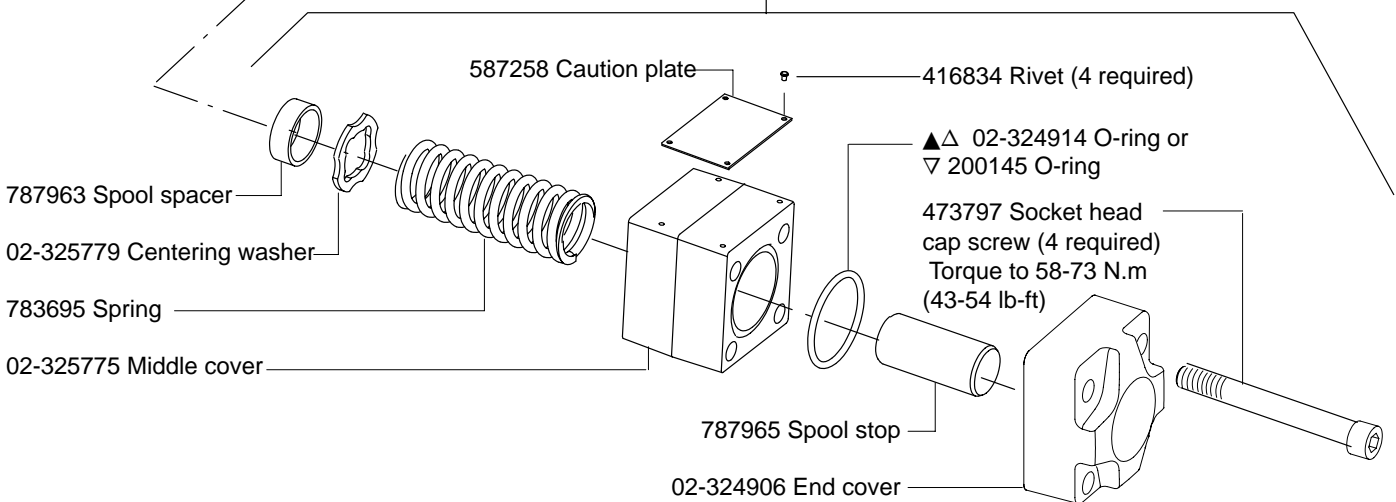


Spring Offset Cross Sectional View
DG3V-8-*A(L)-(X)-10

**DG3V-8-(C) - (X) - 10
Spring Centered**



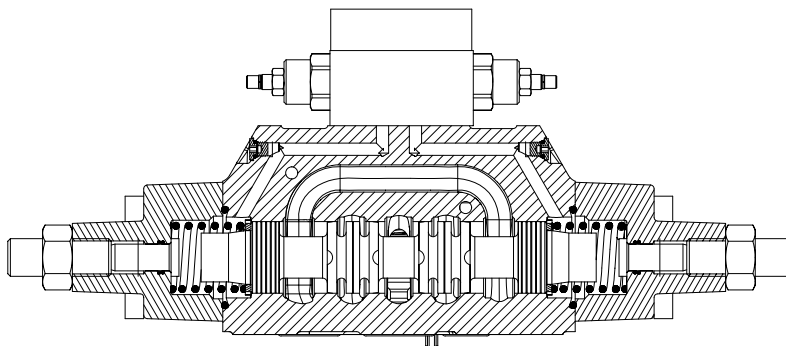
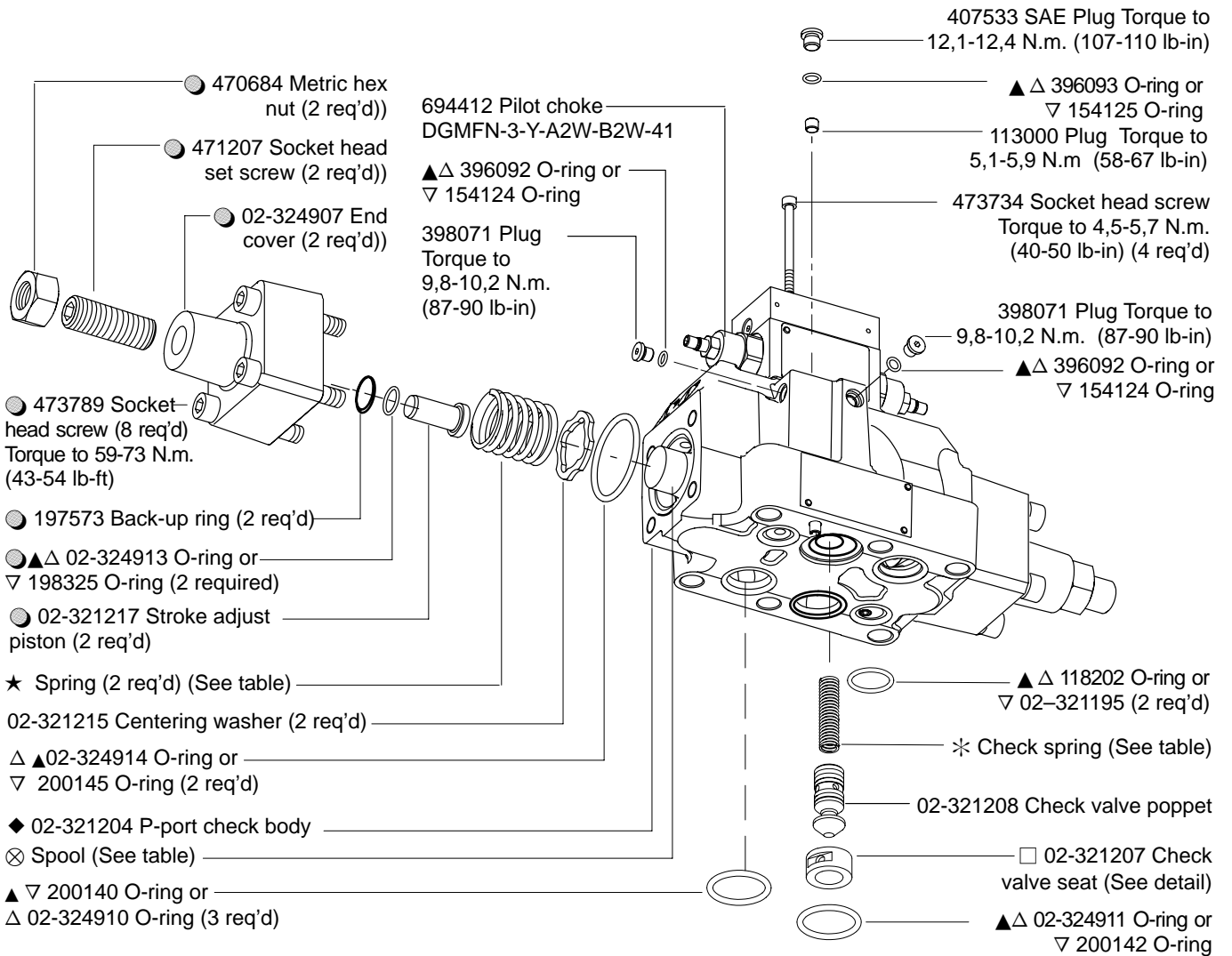
**DG3V-8-*A(L) - (X) - 10
Spring Offset**



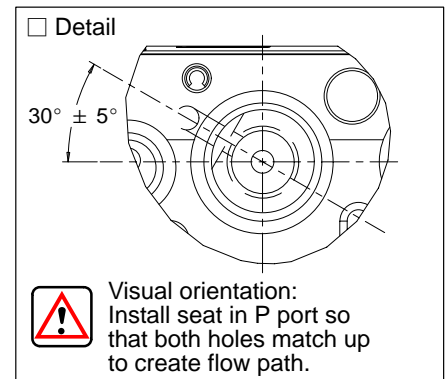
* Check Spring Options

Part No.	Description
02-321211	K -0,3 bar (5 psi) spring
02-321212	Q -2,4 bar (35 psi) spring
02-321213	R -3,4 bar (50 psi) spring
02-321214	S -5,2 bar (75 psi) spring

DG3V-8-(C)-(X) -*-10
Spring Centered with
Check Valve Options &
Stroke Adjustment,
Pilot Choke
(Refer to model code)

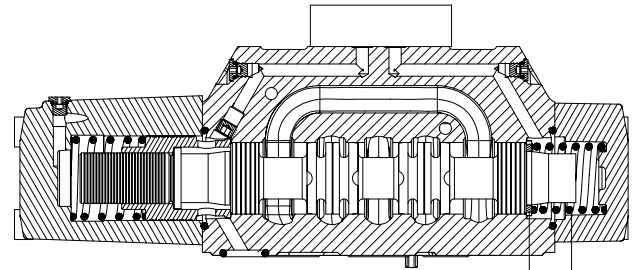


Spring Centered Cross Sectional View
 DG3V-8-(C)-(X)-3-K-10
 (Pilot Choke and Stroke Adjustment Both Ends)



DG3V-8-*(D) (2/8/28)-10
Pressure Centered with
Spool Control
& Check Valve Options
(Refer to model code)

Pressure Centered Cross Sectional View DG3V-8-*D-10



02-321215 Centering washer
 ★Centering spring (See table)

473797 Socket Head Screw (4 req'd)
 Torque to 59-73 N.m (43-54 lb-in)

398071 Plug
 Torque to 9,8-10,2 N.m. (87-90 lb-in)

▲▲ 396092 O-ring
 ▼ 154124 O-ring

▲▲ 02-324919 O-ring
 ▼ 200183 O-ring

▲▲ 02-324914 O-ring or
 ▼ 200145 O-ring (2 req'd)

⊗ Spool (See table)

473786 Socket Head Screw (4 req'd)
 Torque to 59-73 N.m (43-54 lb-in)

02-324916 End Cover

02-325778 Spring

02-324917 Piston sleeve

02-324918 Piston

7074 Plug
 Torque to 8,5-9,6 N.m. (96-108 lb-in)

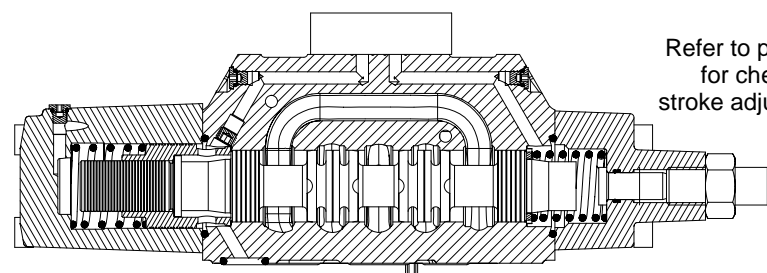
◆ 02-321205 Pressure centered body
 ◆ 02-321206 Pressure centered body with check

▲▲ 02-321195 O-ring or
 ▼ 118202 O-ring

▲▲ 200140 O-ring or
 ▼ 02-324910 O-ring (4 req'd)

▲▲ 118202 O-ring or
 ▼ 02-321195 (2 req'd)

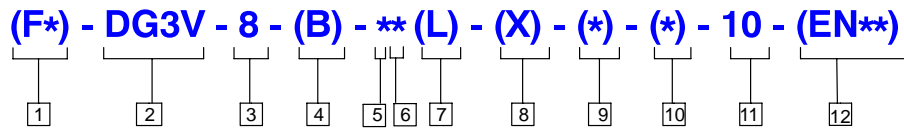
02-324906 End Cover



Refer to previous page
 for check valve and
 stroke adjustment parts

Pressure Centered Cross Sectional View DG3V-8-*D-8-10
 (Stroke Adjustment on Cylinder "B" End Only)

Model Code



1 Special Seals

(Omit if not required)
F3 - Seals for fire resistant fluids.
F6 - Seals for water glycol.

2 Directional Control Valve

DG3V - Subplate mounting; hydraulic operated. Pressure rating 350 bar (5000 psi) for all ports.

3 Valve Size

8 - Valve size CETOP 8, NFPA D08

4 Gauge Ports

Blank - .4375-20 UNF-2B Thread
B - 1/4 BSP Thread

5 Spool Types

- 0** - Open to T all ports
- 1** - Open P&A to T, closed B
- 2** - Closed to T all ports
- 3** - Closed P&B, open A to T
- 4** - Tandem P to T, closed crossover
- 6** - Closed P only, open A&B to T
- 7** - Open P to A&B, closed T
- 8** - Tandem P to T, open crossover
- 9** - Open to T all ports over tapers
- 11** - Open P&B to T, closed A
- 31** - Closed P&A, open B to T
- 33** - Closed P, open A&B to T over tapers
- 52** - Closed center, regen. by sol. 'A'
- 521** - Closed center, regen. by sol. 'B'

6 Spool/Spring Arrangement

Blank - No spring
A - Spring offset to cylinder 'A'
C - Spring centered
D - Pressure centered 140-210 bar (2000 - 3000 psi)

7 Left Hand Build

L - A Models only, omit if not required.

8 Fast Response

(Omit for standard low shock models)
X - Not recommended for pilot pressures above 210 bar (3000 psi).

9 Spool Control Modifications

- (Omit if not required)
- 1** - Stroke adjustment (both ends) (available on C & Blank (no spring) models)
 - 2** - Pilot choke adjustment (available on all models)
 - 3** - Pilot stroke and stroke adjusters (both ends) (available on C & Blank (no spring) models)
 - 7** - Stroke adjusters on cylinder A end only (available on A, C & Blank (no spring) models)
 - 8** - Stroke adjusters on cylinder 'B' end only (available on A, C, & Blank (no spring) models)
 - 27** - If both are required (available on A, C, & Blank (no spring) models)
 - 28** - If both are required (available on AL left hand build, C & Blank (no spring) models)

Note: Single Offset models with stroke adj:
 DG3V-8-***A** with stroke adj available as type **8** or **28** only
 DG3V-8-***AL** with stroke adj available as type **7** or **27** only

Note: Stroke adjustment available as type **8** or **28** option only when used in combination with a Pressure Centered **-D** model.

10 Check Valve in Pressure Port

(Omit if not required)
K - 0,35 bar (5 psi) check
Q - 2,42 bar (35 psi) check
R - 3,45 bar (50 psi) check
S - 5,20 bar (75 psi) check

11 Design Number

Subject to change. Installation dimensions remain as shown for design numbers 10 through 19.

12 Special Modifications

(Omit if not required)