

# Directional Valves



## Service Parts Information

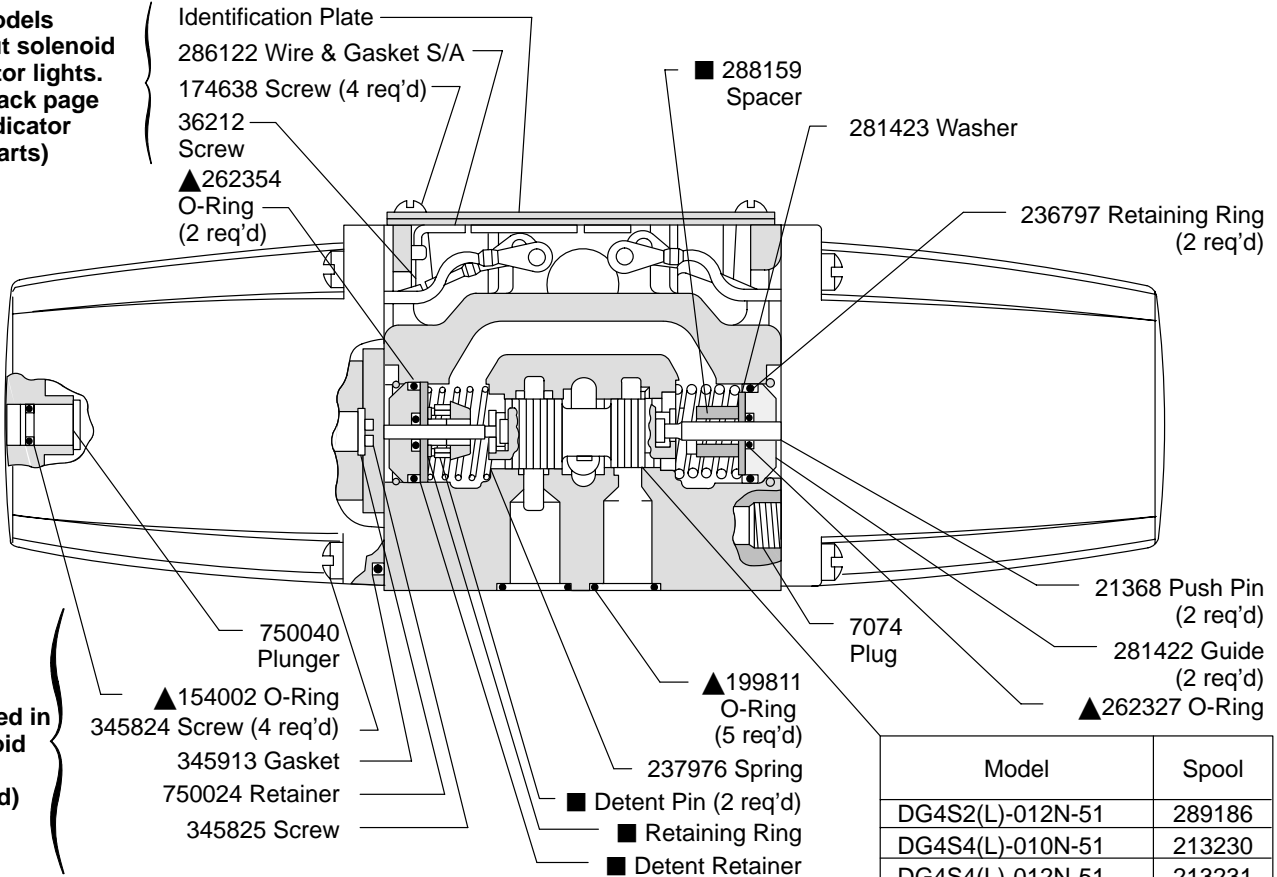
### No-Spring Detented Solenoid Controlled Directional Valves

DG4S\*(L)-01\*N-(\*\*AC)\*-51

Voltage	Solenoid S/A			
	S/A Complete		Coil	
	STD	F3	STD	F3
115AC60	281291	317767	316011	317768
230AC60	281292	317769	298721	317770
460AC60	281293	317771	298722	317772

For additional Solenoid S/A's See I-3544-S.

For models without solenoid indicator lights. (See back page for indicator light parts)

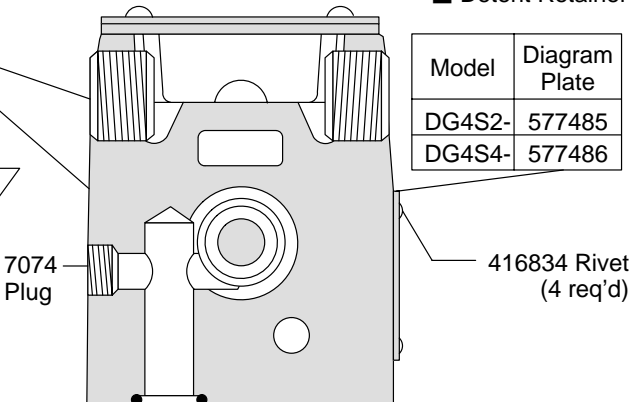
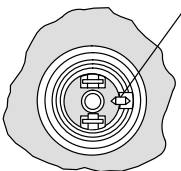


Included in Solenoid S/A (2 req'd)

Model	Spool
DG4S2(L)-012N-51	289186
DG4S4(L)-010N-51	213230
DG4S4(L)-012N-51	213231
DG4S4(L)-016N-51	213232
DG4S4(L)-017N-51	236624
DG4S4(L)-0133N-51	236615

Model	Diagram Plate
DG4S2-	577485
DG4S4-	577486

64765 Plug  
 281421 Body (Not available for sale)  
 ■ 157477 Rollpin



■ Included in 942132, 51 Design Detent S/A

▲ Service all units with F3 Seal Kit 919214

\* Torque to 30-35 lb. in.

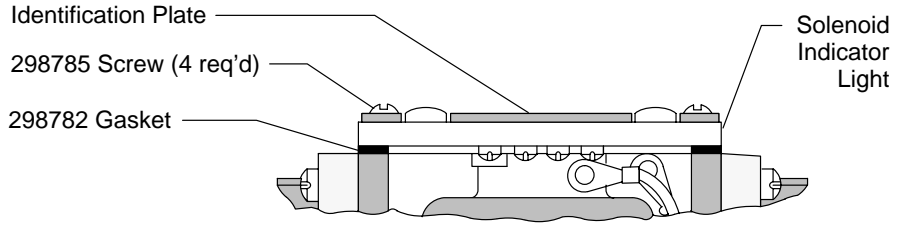
Section X-X

Section Y-Y



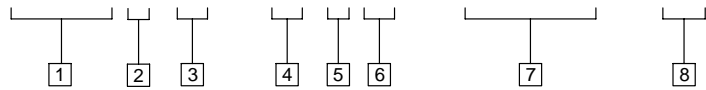
Solenoid Indicator Light Kits (Includes all parts identified)	
Voltage Range	Kit
100 thru 125	941615

**For models with solenoid indicator light**



**Model Code**

**DG4S \* (L) - 01 \* N - (\*\*AC\*\*) - 51**



**1 Model Series**

**DG4S** - Directional valves, subplate or manifold mounted, solenoid operated, sliding spool

**3 Indicator Light**

**L** - Solenoid  
Omitted - None

**7 Solenoid Voltage and Frequency**

**Omitted** - 115VAC60 standard

**2 Flow Directions**

**2** - 2 way  
**4** - 4 way

**4 Series 10**

**8 Design**

**5 Spool Type**

**6 No-Spring Detented**

For satisfactory service life of these components, use full flow filtration to provide fluid which meets ISO cleanliness code 20/18/15 or cleaner. Selections from Eaton OFP, OFR and OFRS filter series are recommended.

Printed in U.S.A.