

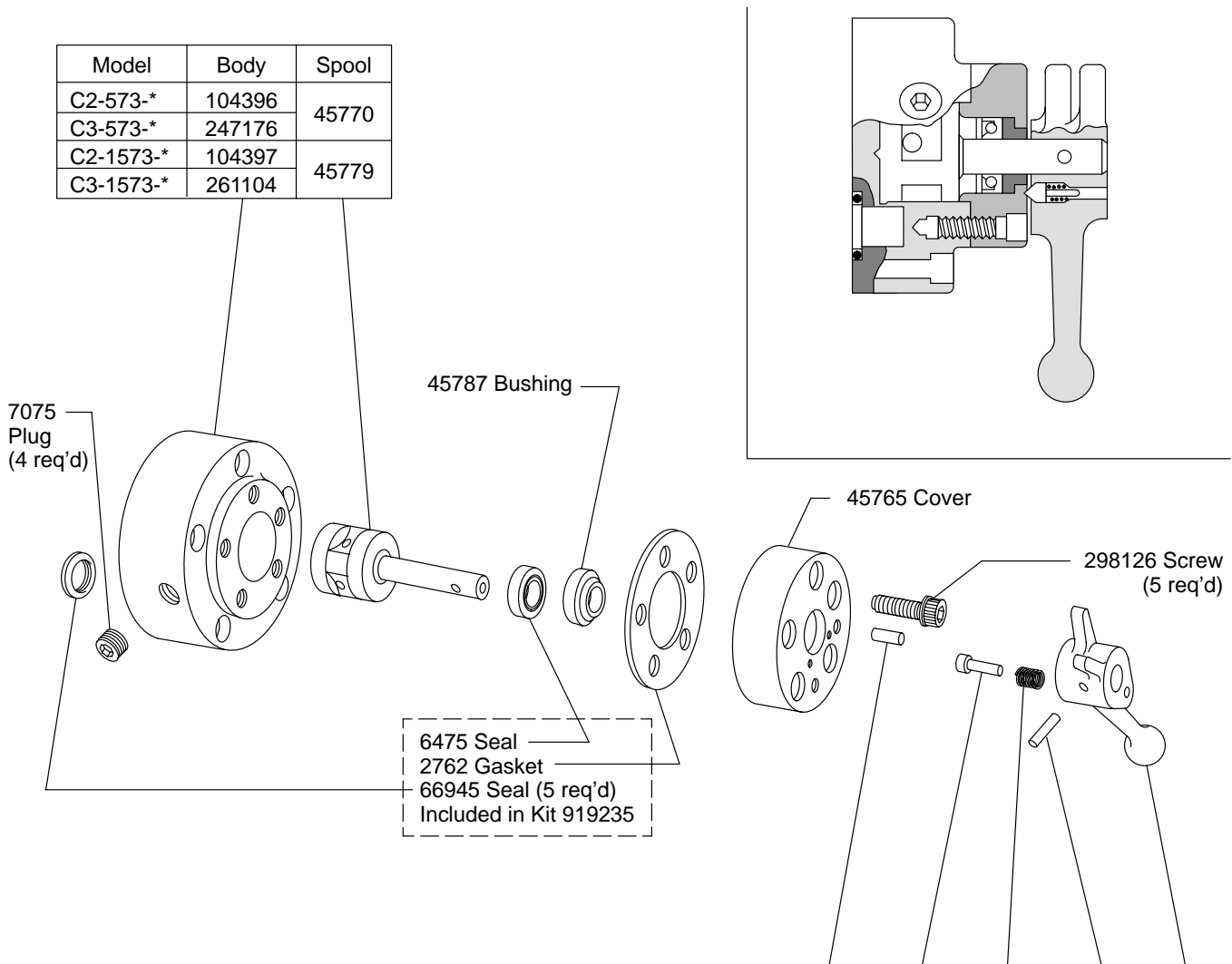
# Directional Controls



## Gasket Mounted Rotary Type Pilot Valves

C2-573 and C2-1573 Series  
C3-573 and C3-1573 Series

Model	Body	Spool
C2-573-*	104396	45770
C3-573-*	247176	
C2-1573-*	104397	45779
C3-1573-*	261104	



Model	Pin	Stop	Spring	Pin	Lever
C2-573/1573	—	—	—	—	—
C3-573/1573	—	—	—	—	—
C2-573/1573-A	—	2221	2212	2214	2765
C3-573/1573-A	—			159289	
C2-573/1573-B	2222 (2 req'd)	2221	2212	2214	24767
C3-573/1573-B				159289	
C2-573/1573-C	2222 (2 req'd)	2221	2212	2214	36327
C3-573/1573-C				159289	

For satisfactory service life of these components, use full flow filtration to provide fluid which meets ISO cleanliness code 20/18/15 or cleaner. Selections from Vickers OFF, OFR and OFRS filter series are recommended.