

# Directional Controls

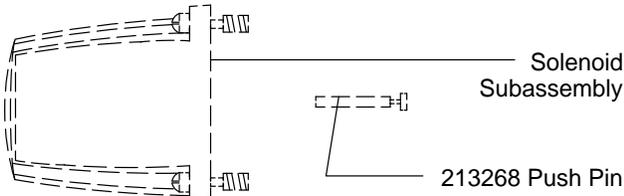


Service Parts Information

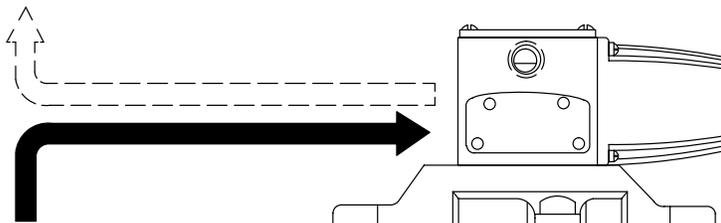
## Directional Valves With Oil Immersed Solenoids

▲ Part included in 941769 Adapter Kit

These Parts

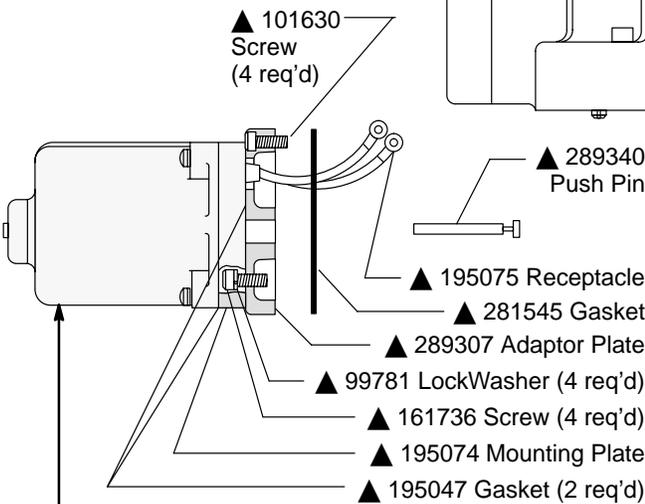


Are Replaced By



The same change applies to this end for models with two solenoids

These Parts



Solenoid S/A	Voltage
251505	24 AC 60
232960	110 AC 60
195053	115 AC 60
240996	120 AC 60
323163	215 AC 60
195054	230 AC 60
205687	115 AC 50
290899	120 AC 50
248640	220 AC 50
205688	230 AC 50
279926	240 AC 50
237544	415 AC 50
205689	460 AC 50
231583	110 AC 25

On Model

Shown on Drawing

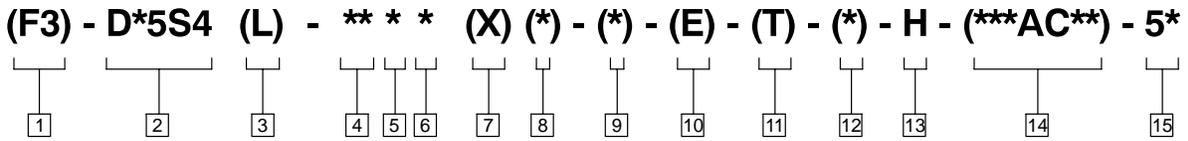
To Make Model

- DF5S4(L)-16\*A-50/53
- DF5S4(L)-16\*B-53
- DF5S4(L)-16\*C-50/51/53
- DF5S4(L)-16\*N-50/51/53
- DG5S4(L)-06\*A-50/51
- DG5S4(L)-06\*C-50/51
- DG5S4(L)-06\*D-50/51
- DG5S4(L)-06\*N-50/51
- DG5S4(L)-10\*A-50/51/53
- DG5S4(L)-10\*B-53
- DG5S4(L)-10\*C-50/51/53
- DG5S4(L)-10\*D-50/51/53
- DG5S4(L)-10\*N-50/51/53

-50 Design	-51 Design	-53 Design
I-3486-S		I-3622-S
I-3482-S		I-3622-S
I-3482-S	I-3482-S	I-3622-S
I-3492-S	I-3502-S	
I-3490-S	I-3473-S	
I-3493-S	I-3504-S	
I-3491-S	I-3474-S	
I-3496-S	I-3513-S	I-3624-S
		I-3624-S
I-3494-S	I-3509-S	I-3624-S
I-3497-S	I-3514-S	I-3625-S
I-3495-S	I-3512-S	I-3624-S

- DF5S4(L)-16\*A-H-50/53
- DF5S4(L)-16\*B-H53
- DF5S4(L)-16\*C-H-50/51/53
- DG5S4(L)-16\*N-H-50/51/53
- DG5S4(L)-06\*A-H-50/51
- DG5S4(L)-06\*C-H-50/51
- DG5S4(L)-06\*D-H-50/51
- DG5S4(L)-06\*N-H-50/51
- DG5S4(L)-10\*A-H-50/51/53
- DG5S4(L)-10\*B-H-53
- DG5S4(L)-10\*C-H-50/51/53
- DG5S4(L)-10\*D-H-50/51/53
- DG5S4(L)-10\*N-H-50/51/53

# Model Code



**1 Seal Material**

**F3** - Seals for mineral oil and fire resistant fluids

**2 Model Series**

**D\*5S4(L)** - Directional valve, flange connection, subplate or manifold mounted, solenoid controlled, pilot operated, sliding spool, 4 way

**3 Solenoid**

**L** - Solenoid indicator Lights  
**Omitted** - None

**4 Series**

**06** - 60  
**10** - 10  
**16** - 160

**5 Type of Main Stage Spool**

**6 Spring**

**A** - Spring offset  
**B** - Spring centered (one solenoid)  
**C** - Spring centered  
**D** - Pressure centered  
**N** - No spring detented

**7 "X" - Fast Response Models**

**(For 100 Series pressure centered models, "X" is available in the "A" pilot pressure range only)**

**Omitted** - Low shock model

**8 Pilot Pressure Range**

**(100 Series "D" pressure centered models only)**

**Omitted** - 2000 to 3000 psi  
**A** - 300 to 1000 psi  
**B** - 1000 to 2000 psi

**9 Spool Control Modifications**

**(Omit if not required)**

**1** - Stroke adjustments  
**2** - Pilot choke  
**3** - Pilot choke & stroke adjust.  
**7** - Stroke adjustments "A" end only  
**8** - Stroke adjustments "B" end only

**10 Pilot Pressure**

**E** - Eternal pilot pressure  
**Omitted** - Internal pilot pressure

**11 Pilot Drain**

**T** - Internal pilot drain (not available on open center spools unless external pilot pressure "E" is used)

**Omitted** - External pilot drain

**12 Check Valve**

**Omitted** - No check valve  
**K** - 5 psi cracking pressure  
**L** - 30 psi cracking pressure  
**R** - 50 psi cracking pressure  
**S** - 75 psi cracking pressure

**13 Oil Immersed Solenoid**

**14 Voltage & Frequency**

**Omitted** - 115AC60 standard

**15 Design**

-50/-51/-53