

VisoVac-CE: Eaton's new compact edition three-phase fault interrupter



Available with 25 kA and 40 kA interrupting ratings perfect for network or underground distribution applications.

Eaton's VisoVac™ fault interrupter uses advanced, proven vacuum technology that provides the highest interrupting ratings in the industry. The compact edition provides automated and SCADA controlled three-phase interruption for applications where space is a concern.

State-of-the-art design

VisoVac is a three-phase, submersible, medium-voltage fault interrupter that utilizes Eaton's proven vacuum interruption technology and is configured to fit in a compact stainless steel enclosure.

Operational cost savings

The VisoVac device yields operation savings such as:

- No regular maintenance
- Gas, oil and regulation free
- Manually and remotely operated
- Available with relay and overcurrent protection
- 10,000 mechanical operations
- Local isolation for networks

Applications

The VisoVac interrupter is ideal for:

- Underground or subsurface switching applications
- Primary network isolation or distribution sectionalizing in single or multi-way configurations
- Areas where dust, water or environmental concerns are an issue

Eaton's configured-to-order services can provide a VisoVac solution to meet almost any need.



Powering Business Worldwide



Multi-way VisoVac-CE with remote pushbutton control, SCADA and HMI ready

Mounting configurations

VisoVac fault interrupters are available with a variety of different mounting options. Equipment can be mounted directly on the floor, mounted to the wall, or supplied with an adjustable elevating stand. Other options include mounting the VisoVac in multi-way configurations or inside an enclosure for pad-mount applications. Enclosures conform to the security requirements of IEEE® Std C57.12.28-2005 standard. Consult factory for details.

Protection and control options

VisoVac fault interrupters are available with a Digitrip™ 1150V controller or Eaton can provide a customized protection and control package configured to meet each user's unique application requirements.

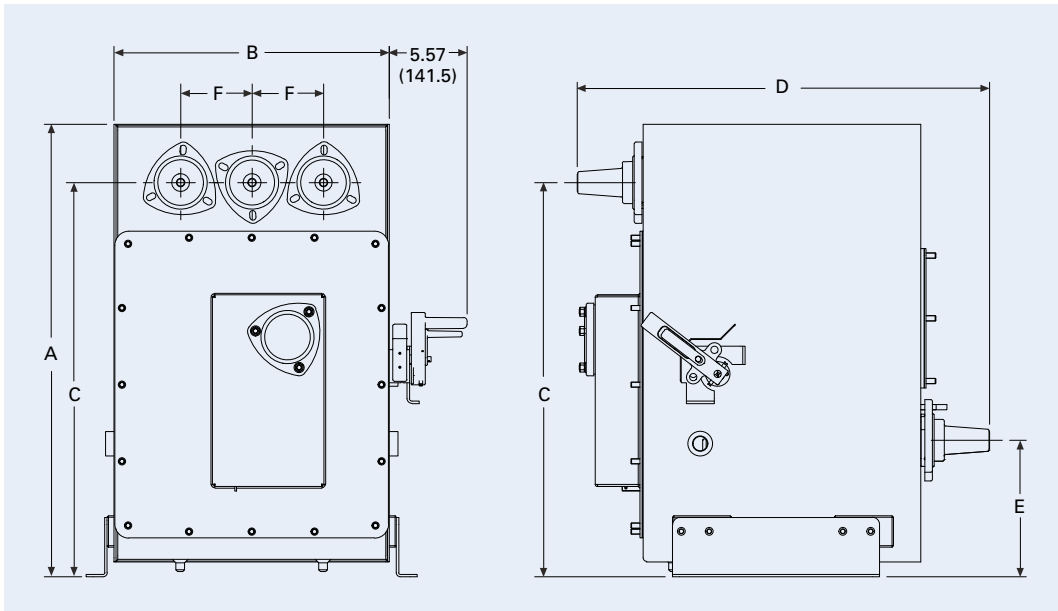
Eaton, Schweitzer, GE and other protective relays can be designed and shipped ready for installation. Please consult your local sales representative for details.

Electrical characteristics

Maximum	BIL	Continuous current	Fault interrupting	Fault interrupting duty	Momentary
15.5 kV ①	95 kV	600 A ②	25 kA symmetrical rms	100 at 12.5 kA 30 at 25 kA	65 kA asymmetrical peak
15.5 kV ①	95 kV	600 A ②	40 kA symmetrical rms	100 at 25 kA 40 at 40 kA	104 kA asymmetrical peak

① Available in 17.5 kV.

② 900 A optional.



VisoVac-CE fault interrupter with Digitrip and internal current sensors

Dimensions in inches (mm)

Dim.	Stainless steel	
	25 kA	40 kA
A	32.50 (825.5)	39.50 (1003.3)
B	19.80 (502.9)	24.50 (622.3)
C	28.30 (718.8)	35.00 (889.0)
D	29.60 (751.8)	29.60 (751.8)
E	9.80 (248.9)	13.50 (342.9)
F	5.13 (130.0)	7.30 (185.4)

Eaton
1000 Eaton Boulevard
Cleveland, OH 44122
United States
Eaton.com

Eaton's Power Systems Division
2300 Badger Drive
Waukesha, WI 53188
United States
Eaton.com/cooperpowerseries

© 2018 Eaton
All Rights Reserved
Printed in USA
Publication No. PA024006EN / Z20369
February 2018



For Eaton product information, call **1-877-277-4636**
or visit **Eaton.com/cooperpowerseries**

Eaton is a registered trademark.
All other trademarks are property of their respective owners.

Follow us on social media to get the latest product and support information.

