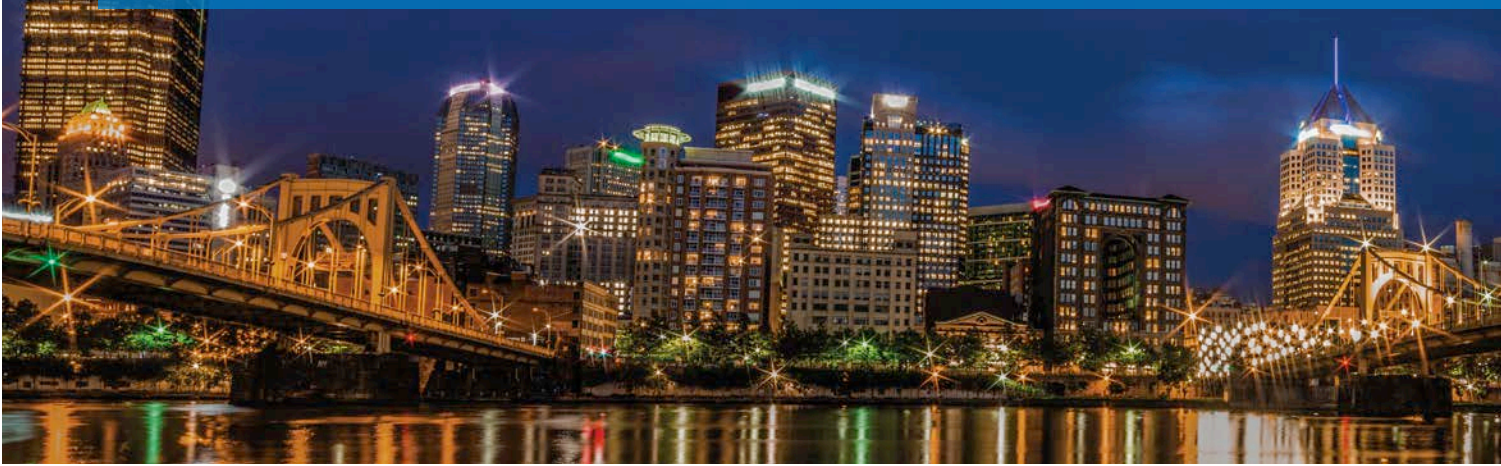


Remote Access Device (RAD)

Network and underground distribution solutions



Eaton's remote access device is compact, easy to use and plug-and-play for native DNP 3.0 communication



Eaton's RAD (Remote Access Device) was designed to provide utilities with easy-to-use DNP communications for their network system. The RAD has output relays and digital inputs to control anything in the vault. The RAD is a key component to provide instant data from the network and system conditions via a local access web browser. The RAD allows field users to access the network relay, gain network status and control devices from outside the vault or electrical room for enhanced safety.

Device highlights

The RAD offers the following features:

- Native DNP 3.0 communications
- Hardwired or optional wireless
- Control and extracts data from network protector and MV switch
- Wireless control replaces network pendant
- Activate NP ARMS
- IP68 submersible housing
- Supports power over local Ethernet
- Operates remote racking for CM52

- Local LED indication for diagnostics and status
- Ability to operate any device in vault through output control relays
- No battery, special software or application required
- Seamless integration to any SCADA back-haul system
- Built-in web page views
- Accessible by any utility owned smart device or laptop

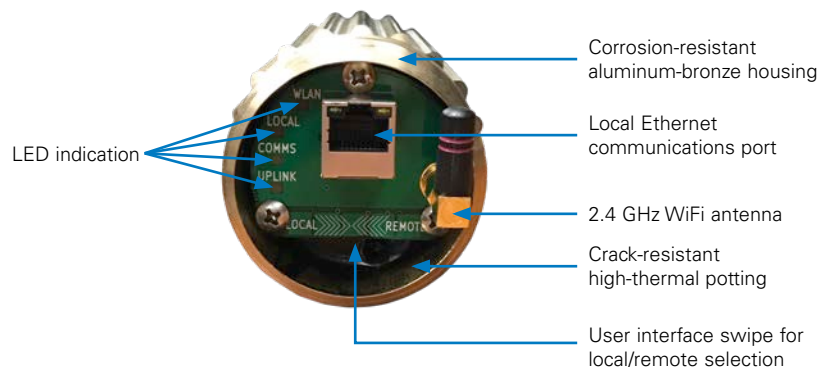
This new smart design eliminates the need for a plug-in pendant. It controls remote racking device, NP ARMS and OPEN/CLOSES equipment through local communication.

Security features

The RAD was designed to provide utilities with advanced secure communications.

The RAD offers the following security features:

- Access control: Configurable access control and privileges
- Sessions: Timed login/logout
- Encryption: IPSec support, HTTPS
- Central authentication and authorization: LDAP/S, ActiveDirectory and RADIUS
- DNP: Secure authentication
- Accounting: RADIUS
- Local and remote control modes



State-of-the-art design

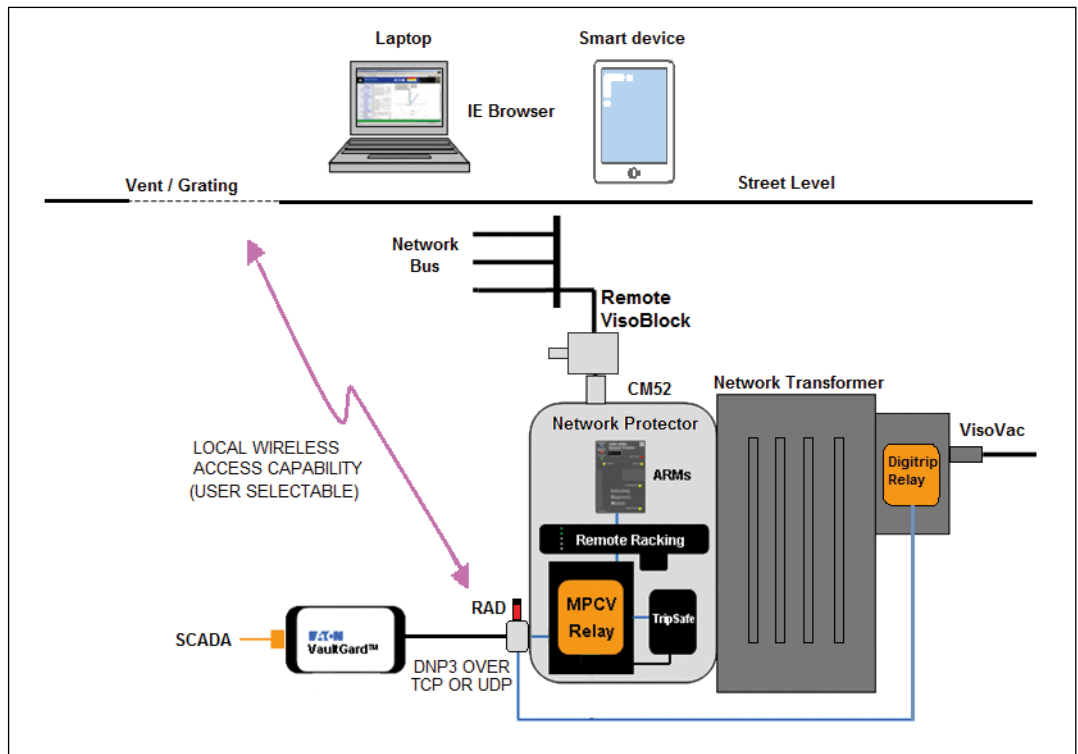
The RAD is ideal for new and existing network installations. The plug-and-play design allows for the device to be easily integrated into any network system.

The device supports configuring relay setpoints through:

- Built-in web pages via network architecture using Ethernet port or wireless interface
- Device is fully compatible with VaultGuard™ or any device using DNP 3.0 protocol

The RAD has native INCOM inputs for:

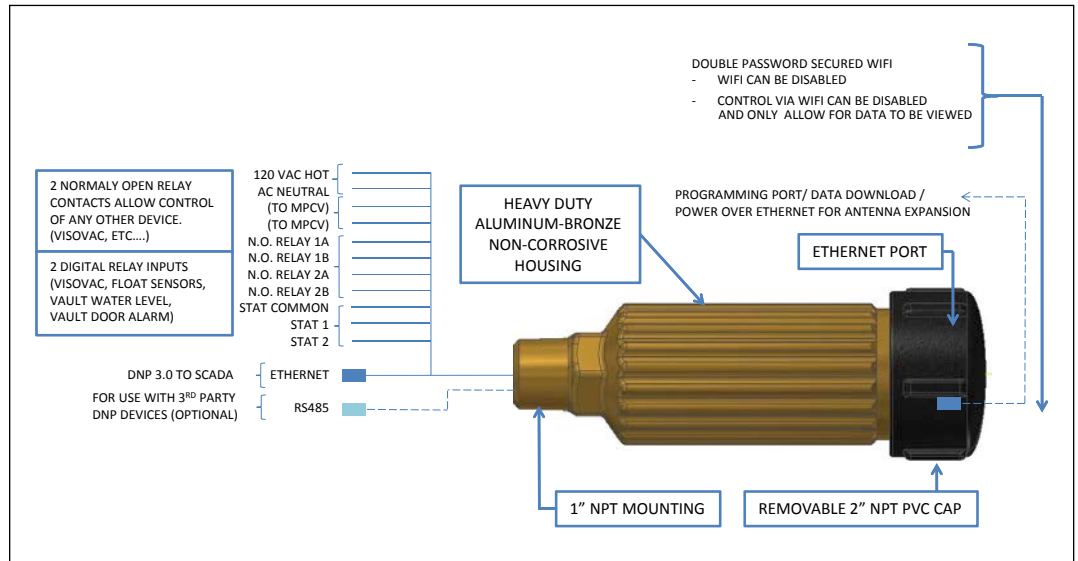
- Network protector MPCV compatibility
- Compatibility with the entire family of legacy Eaton relays such as Digitrip™ used with VisoVac network VFI



Conceptual network communication layout

Mounting requirements

The RAD can come prewired and installed on any new network protectors or can be easily retrofittable to existing network protectors regardless of type or vintage. The RAD mounts to the bulkhead or other external junction box via a standard 1-inch NPT fitting.



Remote Access Device (RAD)

Eaton
1000 Eaton Boulevard
Cleveland, OH 44122
United States
Eaton.com

Eaton's Power Systems Division
2300 Badger Drive
Waukesha, WI 53188
United States
Eaton.com/cooperpowerseries

© 2018 Eaton
All Rights Reserved
Printed in USA
Publication No. PA024008EN / Z21123
July 2018



For Eaton's Cooper Power series product information, visit
Eaton.com/cooperpowerseries

Eaton is a registered trademark.
All other trademarks are property of their respective owners.

Follow us on social media to get the latest product and support information.

