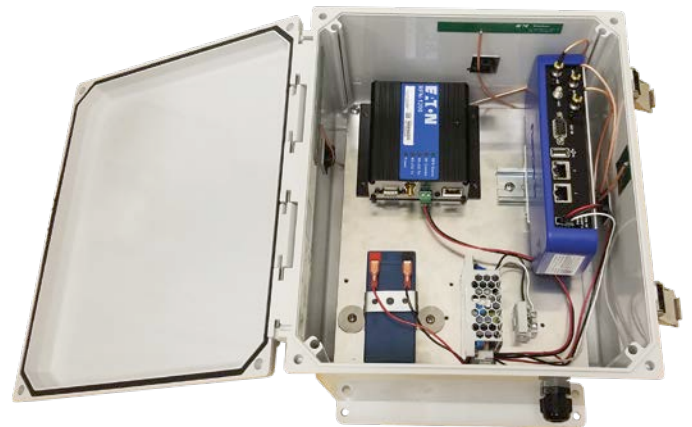




Offering flexible integration over Bluetooth

The MACHGateway solution enables connectivity to existing network assets, reducing maintenance costs. Through the MACHGateway, Eaton's GridAdvisor Series II sensor can be flexibly integrated to any network over Bluetooth. Over an ethernet or serial port, or the embedded LTE cellular radio, the Gateway can concentrate data upstream as single DNP3 instance/channel. Furthermore, the option of an Eaton-provided enclosure includes additional protection and the space for mounting a radio or other network interface.



Eaton-provided enclosure with RFN1200



Ordering options

Eaton part number	Includes embedded LTE radio	Includes external enclosure
P12-U101-00-1010	■	■
P12-U101-01-0011		■
G03-05C100-01	■	
G03-00A100-01		

Note: Include embedded LTE radio for connectivity to Verizon or AT&T LTE networks without requiring an additional modem, or omit the embedded radio if using a different choice of radio/converter. The Gateway can be ordered with an Eaton-provided standard enclosure option (detailed on the next page) or without enclosure when leveraging your own enclosure solution.



Powering Business Worldwide

Integrated products

Package with three GridAdvisor Series II smart sensors



The GridAdvisor smart sensor is one of Eaton's grid automation system solutions. The GridAdvisor Series II smart sensor accommodates all voltages, currents, overhead, padmount and vault applications in a single unit.

Eaton part number:
E0013X41G10

To learn more, visit:
Eaton.com/us/en-us/catalog/utility-and-grid-solutions/gridadvisor-ii.html



Add DA interface device (RFN1200) to integrate to Eaton's RF Smart Grid network



Eaton's RFN1200 wireless interface device is designed for use in distribution automation (DA) applications, facilitating two-way automated communication between Eaton's Yukon™ software platform or a utility SCADA application and a downline control or device.

Eaton part number:
12000X42G71

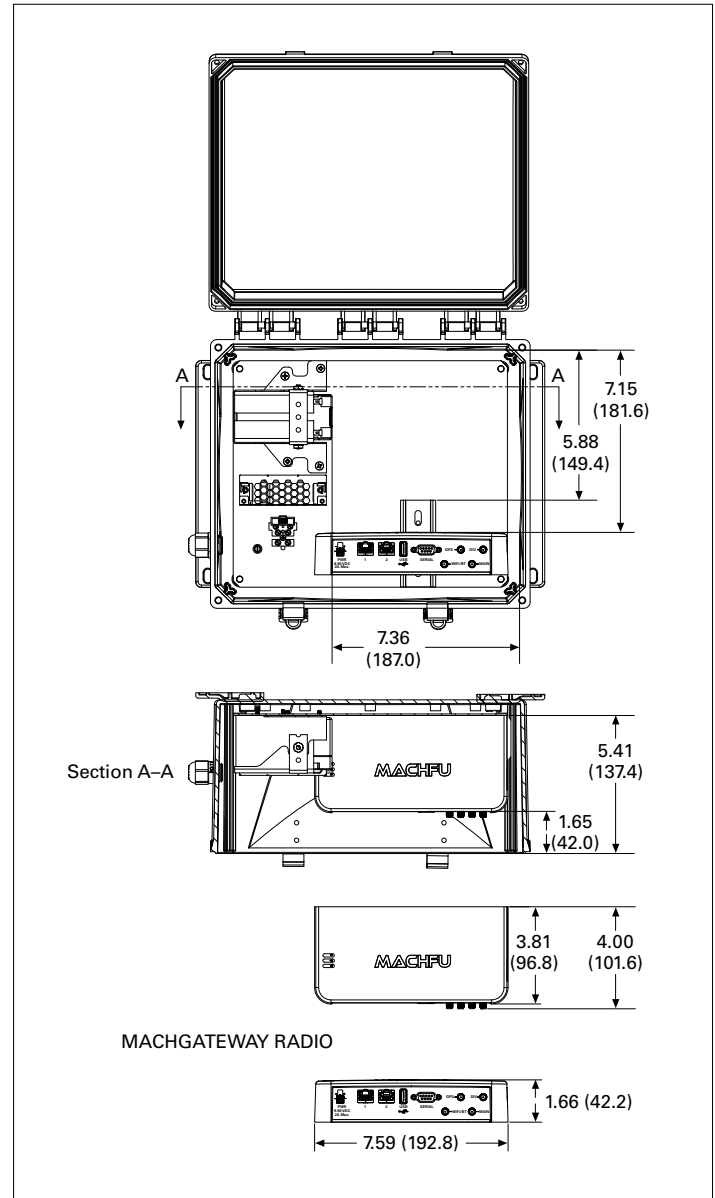
To learn more, visit:
Eaton.com/us/en-us/catalog/utility-and-grid-solutions/dnp3-da-interface-device-rfn-1200.html

RF Smart Grid network

Eaton's RF Smart Grid network combines hardware and software components into a single dynamic platform for electric, water and gas AMI, demand response (DR) and distribution automation (DA). Eaton's RF network solution is an intelligent mesh network offering high bandwidth, minimal latency, ultimate flexibility and end-to-end security.

To learn more, visit:
Eaton.com/us/en-us/catalog/utility-and-grid-solutions/rf-smart-grid-network.html

Technical specifications



Drawing of the Gateway/enclosure assembly for spacing

Power supply with battery charger

- Input
 - Voltage: 90–264 Vac, 47–63 Hz
 - Typical current: 0.75 A / 115 Vac, 0.5 A / 230 Vac
- Output
 - Voltage: 13.8 Vdc
 - Rated current: 1.7 A
 - Current range: 0–2.6 A
 - Rated power: 35.88 W

Battery backup

- Absorbent glass mat (AGM) sealed rechargeable battery
- 1.4 AH

For more information, contact your Eaton representative or contact EAS Internal Sales for a quote:

EASInternalSales@Eaton.com
+1 763-543-7606

Eaton
1000 Eaton Boulevard
Cleveland, OH 44122
United States
Eaton.com

© 2020 Eaton
All Rights Reserved
Printed in USA
Publication No. PA910009EN / Z23727
January 2020

EATON
Powering Business Worldwide

Eaton is a registered trademark.

All other trademarks are property of their respective owners.

Follow us on social media to get the latest product and support information.

