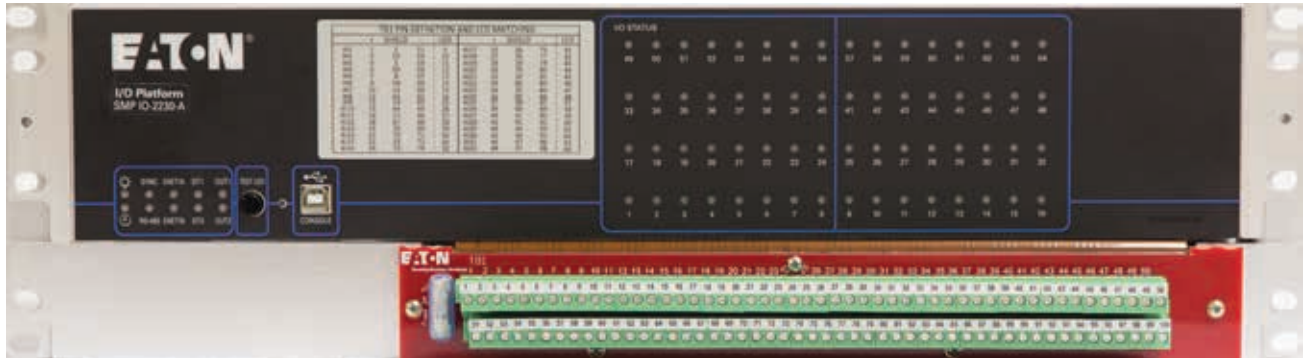


RTU replacement solution

The SMP™ IO-2230-A analog input system



Powering Business Worldwide

SMP IO-2230-A Catalog Data..... 1
Description.....1
General features..... 2
Cybersecurity.....3
Benefits.....3
System architecture and I/O features.....4
 Front panel.....5
 Rear panel..... 7
Specifications..... 9
Certifications and compliancy notes..... 14
Temperature derating.....14
Dimension drawings.....16
Ordering information..... 17
Accessories and cables..... 18

Description

This document describes the hardware layout and functionality of the SMP IO-2230-A system, which is based on the SMP IO-2230 distributed I/O platform.

RTU replacement solution

Eaton's RTU replacement solution provides utilities with a cost-effective answer to upgrading legacy RTUs with cybersecurity as a priority. Based on the utility hardened and proven Eaton's SMP family of substation automation products, the SMP SG-42xx automation platform and the new SMP IO-2230 distributed I/O unit, the basic hardware agnostic replacement solution, supports most legacy RTU configurations. Eaton's RTU replacement solution is easily adaptable to any specific RTU deployment scenario (e.g. GE D20) and allows for great cost savings on field installation man-hours and service interruptions because it keeps the existing field wiring.

SMP Gateway automation platform

Both of Eaton's SMP Gateway automation platform models are substation-grade gateways with a proven history in data acquisition and distribution automation applications, as protocol conversion device and integration solution for secure IED remote access. They are recognized as one of the most efficient and reliable automation platforms on the market and are perfect for distributed automation.

SMP IO-2230 distributed I/O platform

The SMP IO-2230 is Eaton's new generation of substation-grade distributed I/O platforms; it is specially designed to meet modern industry and utility requirements and is fully integrated with the SMP Manager and Tools application for device configuration and maintenance. It integrates seamlessly with the SMP Gateway automation platforms—simplifying both system setup and commissioning.

The SMP IO-2230 distributed I/O platform uses a template-driven configuration tool, SMP Config, and includes numerous cybersecurity features to help utilities meet their compliance requirements, including NERC CIP (certified under UL 2900-2-2).

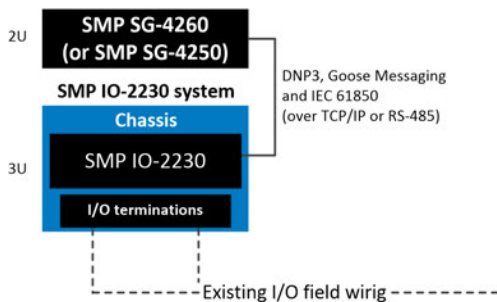


Figure 1. Eaton's RTU replacement solution

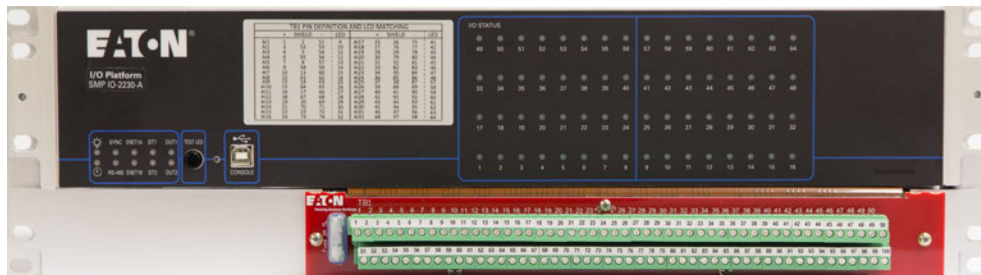


Figure 2. The SMP IO-2230-A unit

General features



Hardware

- Form factor: 3U rackmount
- SMP IO-2230 is servicable without removing the chassis from the rack
- Individual LEDs for each I/O
- No moving part
- Two built-in Form C relays for system alarm (configurable)
- System status LEDs
- Multi-function button
- Front USB 2.0 maintenance port (Type B)
- Custom length cables available
- Supported polarity reversal for power supply and Inputs/Outputs

Protocols

- DNP3, IEC 61850, GOOSE Serial or TCP/IP links
- DNP3 event queue (up to 1000 events/slave)
- Up to 5 slave instances

Communication and Web interface

- RS-485 serial interface
- 2 x 10/100 Mb/s Ethernet ports or 2 x 100 Mb/s optical Ethernet ports
- Daisy chain Ethernet capabilities
- Web interface for I/O commissioning
- Secured remote maintenance using transparent connection (SMP Gateway and IMS passthrough)

Software

- Linux®-based operating system
- Seamless integration with the SMP Gateway
- Access to SMP Manager's Tools
- Remote management (firmware upgrade, setting changes, license update)
- Configuration with SMP Config (also for standalone units), multi protocols/instances, configurable point mapping
- Offline and template-driven configuration
- Use of SMP Stats, SMP Log and SMP Trace
- Micro PLC for local programmable logic (fast and complete PLC functions)
- Ready for remote management via Enterprise Management Software (IMS)
- System alarms

Mapping

- Predefined mappings
- Configurable mappings
- Serial number, version, internal status, current time, last reset time and more are available in the protocol mapping
- Exportable DNP3 protocol device XML profile

System

- Integrated self-diagnostics
- Integrated watchdog timer
- Real-time clock (with battery backup)
- Internal clock synchronization using IRIG-B, NTP or via protocols
- Local/Remote state (logical points)
- Logs support (Security, System)

Cybersecurity

- UL2900-2-2 compliant: Standard for Software Cybersecurity for Network-Connectable Devices
- IEEE 1686-2013 compliant
- Integrated Ethernet firewall
- Ability to disable any unused port (report enabled-disabled ports)
- Secure maintenance connection (TLS) via SMP Gateway Passthrough or via direct SMP Manager connection
- AES-128/256 encryption
- Secure USB maintenance port
- Secure command shell
- Access management (log, lockup, etc.)
- Account management:
 - Strong passwords
 - Single Admin account
 - User accounts and user groups
 - Detailed group permissions
- All system components digitally signed
- Settings integrity validation
- Factory reset in case of Admin password loss

Benefits

With its robust and scalable design Eaton's RTU replacement solution is flexible and adapts to evolving automation requirements.

Reliability

- Designed to evolve through regular software and firmware updates, ensuring a future-proof automation system
- Helps meet NERC CIP requirements by securing IED remote access and enhancing SCADA communication links

Scalability

- Universal power supply (wide input ac and dc voltage range), for connection flexibility
- Software configurable voltage ranges on binary inputs
- Use of open industry protocols (standard DNP3, GOOSE messaging or IEC 61850 over a TCP/IP or RS-485 link) with over 80 protocols to integrate other IEDs in the substation via the automation platform

Easy integration

- Complete support for the SMP Tools
- Easy configuration using SMP Manager's SMP Config
- Simplified pre-loading operation of existing configuration into the SMP Gateway prior to installation

Productivity

- 70% labor cost reduction compared to a traditional RTU replacement solution due to the use of existing wiring
- Offline configuration tools
- Web interface for I/O commissioning
- Uses the same management applications as the SMP Gateway automation platform (SMP Manager)
- Seamless I/O integration between the SMP Gateway and distributed I/O unit
- Enhanced automation capabilities using the IEC 61131-3 Soft PLC of the SMP Gateway automation platform and/or the micro PLC of the SMP IO-2230 distributed I/O unit

System architecture and I/O features

The following I/O features are available for the RTU replacement systems, I/Os types availability depends on the specific model.

Analog inputs

- High/Low warning support
- Deadband, scaling and units
- User calibration at fixed ambient temperature

Binary outputs

- Output protection against single component failure
- Trip/close pair, latch, pulse, pulse pair support
- Persisted operation counter/operation time
- Binary points software polarity reversal
- Control queuing allows up to 10 parallel requests, sequentially processed when the same point is targeted

Binary inputs

- AC and DC inputs
- Tolerance/Intolerance filtering
- Chatter protection
- Fail safe circuit (active level in normal state)
- Binary points software polarity reversal
- Timetag at the beginning or end of the filtering (setting)
- Persisted counters (total transitions, up/down direction), with deadband, scaling and roll over detection.
- Freeze, clear, freeze and clear counters support

Table 1. RTU replacement system, available models

Type	Model	Available I/Os
Rackmount (3U)	SMP IO-2230-A	32 analog inputs: disconnect terminations
Rackmount (3U)	SMP IO-2230-K	32 control outputs: disconnect terminations (K) or DB25 connectors (KR)
Rackmount (3U)	SMP IO-2230-S	64 status and alarm inputs: disconnect terminations

The SMP IO-2230-A configuration is fixed at 32 analog inputs, the following features apply to this SMP IO-2230 system:

- 32 analog inputs: 1 mA, 2 mA, 20 mA at 10 V
Note: Other input ranges will be available upon request.
- Available mode for analog inputs: Current, Voltage and Loop supply
- Shipped pre-configured according to the selected configuration modes when ordered

Front panel

This section shows the SMP IO-2230 system front panel and identifies its main components.

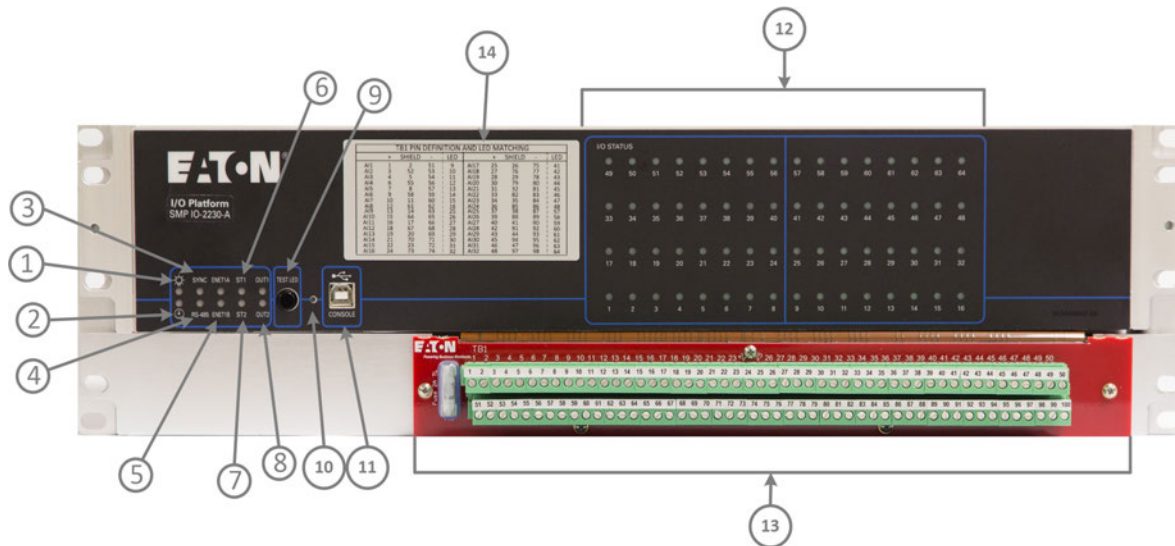




Figure 3. The front panel of the SMP IO-2230-A unit

The following table describes the front panel components related to the previous figure:

Table 2. Front panel components of the SMP IO-2230-A unit

ID	Name	Description
1		Power LED. This LED indicates the status of the SMP IO-2230 system internal power supply.
2		Watchdog timer status LED.
3	SYNC	Clock synchronization LED. This LED indicates the synchronization status of the SMP IO-2230 system connected to an IRIG-B synchronization source.
4	RS-485	Built-in RS-485 serial port activity LED.
5	ENET1A, ENET1B	Built-in ENET1A and ENET1B2 port activity LEDs. The two Ethernet ports are used as Ethernet switches for daisy-chain connections. Each LED indicates the speed and activity level of the corresponding Ethernet port (switch).
6	ST1	Status LED 1. This LED indicates the various steps the SMP IO-2230 system goes through during the startup sequence.
7	ST2	Reserved for future use.

ID	Name	Description						
8	OUT1, OUT2	<p>On board relay 1 and relay 2 Each LED indicates the relay status.</p> <p>Table 3. On board relays LED, color description</p> <table border="1" data-bbox="527 445 1380 592"> <thead> <tr> <th data-bbox="527 445 685 491">Color</th> <th data-bbox="685 445 1380 491">Meaning</th> </tr> </thead> <tbody> <tr> <td data-bbox="527 491 685 541">Off</td> <td data-bbox="685 491 1380 541">The relay is not energized</td> </tr> <tr> <td data-bbox="527 541 685 592">Green</td> <td data-bbox="685 541 1380 592">The relay is energized</td> </tr> </tbody> </table>	Color	Meaning	Off	The relay is not energized	Green	The relay is energized
Color	Meaning							
Off	The relay is not energized							
Green	The relay is energized							
9	TEST LED	<p>Multi-function button used:</p> <ul style="list-style-type: none"> To test the SMP IO-2230 system front panel LEDs. When pressed, all LEDs should light. To force the system to boot into rescue mode. To do so, press and hold the button during the first five (5) seconds of the boot-up sequence, until the LEDs light up. The SMP IO-2230-A will then boot in rescue mode. 						
10	Reset Button (pinhole)	<p>This reset button requires the use of a pin to activate the reset of the SMP IO-2230 system. This is necessary in order to prevent accidental use to the button.</p>						
11	CONSOLE	<p>Type-B USB 2.0 port.</p> <p>This port is used for maintenance and configuration of the SMP IO-2230 system; it is always enabled. This port is also used to access the SMP IO-2230 system's web interface to monitor and control I/Os for commissioning.</p>						
12	I/O Status LEDs	<p>I/O activity/state for analog inputs 1 to 32. LEDs 9 to 16, 25 to 32, 41 to 48 and 57 to 64 are used (the other LEDs on the device are not used).</p> <p>Each LED indicates the input status of the point.</p>						
13	Terminal blocks	<p>Terminal blocks for connecting up to 32 analog inputs (quick disconnect type). The connectors are used to connect the existing field wiring to the SMP IO-2230-A. Three (3) different modes available for each input, configurable at the rear panel using specific configuration modules for current, voltage and loop supply modes.</p>						
14	Label for terminations versus LED identification	<p>Label for Terminal Block 1 (TB1) pin matching according to LED IDs for SMP IO-2230-A. The 32 analog inputs are organized in eight groups of eight electrically isolated inputs with a common return for each group. Each input is photo-coupled.</p>						

Rear panel

This section shows the SMP IO-2230 system rear panel and identifies its main components.

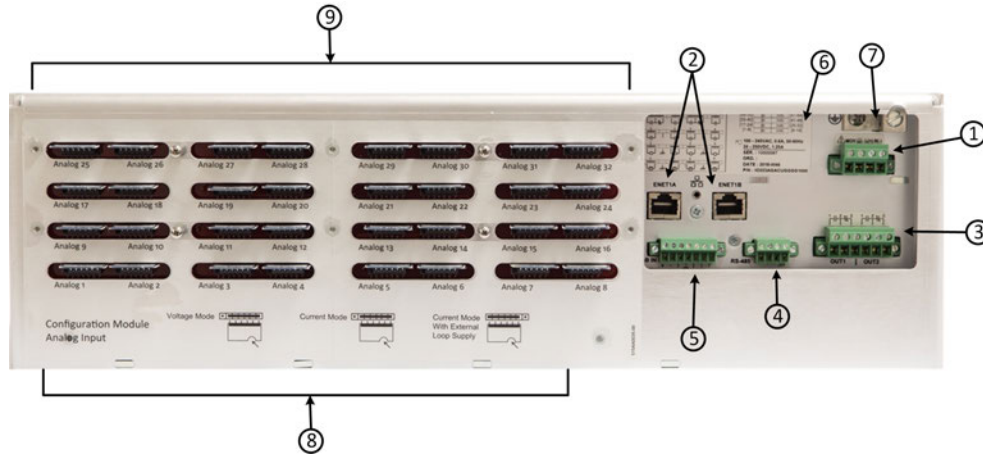


Figure 4. The rear panel of the SMP IO-2230-A unit

The following table describes the rear panel components related to the previous figure.

Table 4. Rear panel components of the SMP IO-2230-A unit

ID	Name	Description
1	Power supply terminal block	<p>Wiring terminals for power supply. Eaton recommends the use of a shielded cable with twisted 18 to 12 AWG wires for the SMP IO-2230 system power supply terminal block.</p> <p>Note: If the SMP IO-2230 system is intended for use at ambient temperatures greater than 140°F (60°C), use a cable with a suitable temperature rating. Recommended torque for this terminal block is 0.49 N*m (4.3 lbf*in).</p>
2	ENET1A, ENET1B	<p>Built-in Ethernet connectors (switch).</p> <p>The following connector types are available for these built-in ports (both connectors are of the same type):</p> <ul style="list-style-type: none"> • Shielded metallic RJ45 (standard) • Fiber-optic LC (option)
3	OUT1, OUT2	<p>2 NO/NC (normally open / normally closed) Form C relays: The OUT1 relay's NC contact is pre-configured for system health monitoring (application). Both relays are available for system applications and can be activated through a system data output point, if configured. When configured for system health monitoring, the OUT1 relay's NC contact operates as follows:</p> <p>The relay's NC contact remains closed until the SMP IO-2230 system is started. Thereafter, the contact is opened if the SMP IO-2230 system is working properly. In case of failure, the watchdog timer resets the SMP IO-2230 system and the NC contact closes during the restart.</p> <p>Eaton recommends the use of a shielded cable with twisted 28-14 AWG wires for this terminal block. Recommended torque for this terminal block is 0.25 N*m (2.2 lbf*in).</p>

ID	Name	Description
4	RS-485 serial port	Terminal block reserved for the serial RS-485 communication (COM1) <ul style="list-style-type: none"> • 2-wire RS-485 support (multidrop) • Up to 1200 m (4000 ft.) • Up to 32 devices (multidrop) Baud rates supported on this port: 300, 600, 1200, 1800, 2400, 4800, 9600, 19200, 38400, 57600, 115200 bps
5	IRIG-B IN	Terminal block reserved for the reception of a demodulated IRIG-B signal. Eaton recommends the use of a shielded cable with twisted 22-16 AWG wires for the IRIG-B terminal block. Recommended torque for this terminal block is 0.25 N*m (2.2 lbf*in).
6	System configuration	When Eaton delivers an SMP IO-2230 system, an I/O configuration sticker is placed on the rear panel.
7	Grounding screw	Screw-in protective earth ground connection terminal. Eaton recommends the use of 14-2 AWG wires for the protective earth ground screw.
8	Configuration module	Identification for the configuration module installation into the Analog x input ports. The three possible configuration modes for analog inputs are : <ul style="list-style-type: none"> • Voltage mode • Current mode • Current mode with external loop supply The modules are the following: <div style="text-align: center;"> </div> <p>Note: The same module is used for current and current with external loop supply modes, it must simply be installed in a different position.</p>
9	Analog x ports x = 1 to 32	Analog input ports used for inserting the configuration module in order to operate in voltage, current or current with external loop supply mode. Note: A protective plexiglass is normally covering the entire Analog x ports area. The plexiglass was removed for the picture in order to clearly show the configuration modules inserted into the ports.

Note: Conformal coating is available upon request.

Specifications

Table 5. General specifications

General specifications		
	Details	Additional information
Dimensions	Height: 5.52 in. (140 mm) Width: 19 in. (482 mm) Length: 9.75 in. (248 mm) 15 lb max (6.8 kg)	
Warranty	10-year limited	
Operating temperature	-40°F to +185°F* (-40°C to 85°C) Typical use	* Safety marking is based on temperature derating table
Storage temperature	-40°F to +185°F (-40°C to 85°C)	
Humidity	5 to 95%, non-condensing	
Degrees of protection provided by enclosure	IP30 (applicable on the SMP IO-2230 device only)	IEC60529: 2013
MTBF	Real MTBF (practical): > 100 years	The MTBF value is obtained from the ratio of the number of devices in operation over the actual number of failures observed on devices of the same SMP family.
Maximum altitude	Up to 6561.7 feet (2000 meters)	
Status LED display	Power Watchdog Clock synchronization (SYNC) Build-in serial port (RS-485) Build-in Ethernet ports (ENET1A, ENET1B) Status (ST1, ST2) Relay state (OUT1, OUT2) I/Os activity/state (1-64)	
Internal Battery	Lifetime: > 20 years (Rechargeable lithium battery)	Not serviceable Battery autonomy > 20 days Battery charging time < 24 hrs

Table 6. Power supply specifications

Universal Power Supply		
Specifications		
Rated supply voltage	100 – 240 VAC / 24 – 250 VDC	100 – 240 VAC, 0.6A 24 – 250 VDC, 1.25A
Input voltage range	88 – 264 VAC / 19.2 – 287.5 VDC	
Frequency range	50 / 60 Hz	
Inrush current	40A at 28 VDC (t<1 ms) 110A at 125 VDC (t<1 ms) 160A at 120 VAC (t<1 ms)	
Power consumption	30W (max)	
Dielectric	2000 Vrms	
Terminal block power	4-pin	
Wire size	12 – 30 AWG solid wire 12 – 30 AWG stranded wire	Jumper MOV are installed at the factory on power supply's terminal block connectors (pin 1-2)
Wire screw	max torque 4 lbf-in (0.44 N-m)	
Internal fuses	2 x 3.15A TL fuses	Not serviceable
Ground lug	External ground lug on rear panel	
Wire size	14 – 2 AWG	
Protection	300 VAC/385 VDC, 60J Differential MOV Protection 300 VAC/385 VDC, 60J Common MOV Protection by external jumper placed on terminal block connectors (pin 1-2)	The SMP IO-2230 system requires the MOV protection to be installed to be compliant with product standards. The SMP IO-2230 system is shipped with the MOV already installed on the power supply terminal block (pin 1-2).

Table 7. Communication ports

Communication ports		
Ethernet		
Note: Both connectors of the built-in Ethernet ports are of the same type.		
2 ports	Rear access	
Metallic connectors (standard)	2 x 10/100/BASE-T/TX	RJ-45 connectors
Fiber-optic (option)	2 x 100BASE-FX, up to 2 km	LC connectors Multimode 1300 nm

Communication ports		
Serial		
2-wire RS-485 support (multidrop) Protection	Up to 1200m (4000 ft.) 32 devices and 115200 b/s	40A 8.3 ms
Protection	Common mode TVS	
Wire size	16 – 28 AWG	
Wire screw	max torque 2.2 lbf-in (0.25 N-m)	

Table 8. Auxiliary port

Auxiliary port		
USB		
USB 2.0 client (CONSOLE)	Type B connector (front panel)	

Table 9. Time synchronization

Time Synchronization		
Demodulated IRIG-B		
Input	Via terminal block (rear panel) 2V high-level detection Vin max up to 12 VDC, Opto-isolated IEEE 1344, C37.118, B002, B003, B004, B006, B007 Accuracy: ± 100 µs	Isolated Current sink at 5V IRIG-B 5 mA Current sink at 10V IRIG-B; 11 mA Input impedance = 1000Ω ± 10%
Protection	Differential mode TVS	
Terminal block IRIG-B		
Wire size	16 - 28 AWG	
Wire screw	Max torque 2.2 lbf-in (0.25 N-m)	
Real-time clock (with battery backup)	Drift: < 3 sec/day on all temperature ranges when unit is running. Drift: ± 10 sec/day on normal operating temperature range and ± 20 sec/day outside the operating temperature range, when unit is powered off.	

Table 10. Auxiliary relays (alarm relays)

Auxiliary relays (alarm relays)		
2 Form C relays	Normally open and normally closed relays contacts (NO/NC) 1st relay is pre-configured for system health monitoring. Both relays are available for system applications and can be activated through a system data point.	8 A 250 VAC / 24 VDC resistive 0.2A at 250 VDC resistive 2500 Vrms dielectric 300 VAC / 385 VDC, 60J MOV Protection across contacts
Terminal block Auxiliary relays	6-pin connector	2 Form C contacts
Wire size	12 – 30 AWG solid wire 12 – 30 AWG stranded wire	
Wire screw	max torque 4 lbf-in (0.44 N-m)	

Table 11. CPU

CPU	
Processor architecture	ARM
Operating system	LINUX
Processor	ARM [®] Cortex [®] - A8 600 MHz
Memory	2 GBit NAND Flash 256 MB DDR3 RAM

Table 12. Analog inputs

Analog inputs		
Input range		
Operation mode	Voltage or current modes	
Voltage mode	± 10V	
Current mode	± 20 mA	Current mode requires an external resistor. The configuration module for current mode must be connected into the Analog x port at the rear of the device. See section Accessories and cables (page 18) for the part number.
	± 2 mA	
	± 1 mA	
Input impedance		
Voltage mode	> 100 kΩ	± 10V
Current mode	499Ω	± 20 mA
	5 kΩ	± 2 mA
	10 kΩ	± 1 mA
Resolution	16 Bits + sign	
Accuracy		
Voltage mode	± 0.02% of full scale @ 25°C	Factory calibrated (25°C)
Current mode	± 0.05% of full scale @ 25°C	With 0.01% external resistor
Accuracy variation	± 0.015 % / °C of full scale @ 25°C	Customer calibration possible (zero offset)
Isolation		
Protection	1000 Vrms dielectric	All AI to earth Note: Design to meet 1000 Vrms channel to channel
Common Mode Rejection DC (CMR)	> 90 dB	
Sampling rate	200 ms	
Terminal Block Analog Inputs		
Wire size	12 – 30 AWG solid wire	
Wire screw	maximum torque 4 lbf-in (0.44 N-m)	
External fuse for loop supply	1 x 2A TL fuse	Serviceable (accessible on the front of the device)

Certifications and compliancy notes

The SMP IO-2230 platform, which is inserted into the chassis, is substation-grade and comply to several standards, refer to the SMP IO-2230 platform Catalog Data (CA912004EN) for details. The chassis itself did not undergo tests for substation-grade compliancy.

Temperature derating

Several configurations are possible, so Eaton provides a Microsoft Excel™ calculator tool in order to enable our customers to easily calculate the total power in the device as well as the operational maximum temperature allowed, according to a specific SMP IO-2230-A configuration. The tool also allows to calculate and resolve the resistor value according to the current range for the analog inputs. The calculator tool can be downloaded from Eaton's Web site, (**Resources** page of the SMP IO-2230 distributed I/O platform).

Following are some captures taken from the tool for a typical SMP IO-2230-A configuration. The blue fields correspond to values entered or selected by the customer and the grey fields on the right side of the table contain the calculated results.

To be compliant with the IEC 61010-1 certification, the SMP IO-2230-A can be used within the temperature range that is function of the total power dissipated in the unit, as per the result of the table or in the Microsoft Excel™ calculator tool. According to the standard, the SMP IO-2230-A can support operating temperatures between -40 °C and +70 °C.

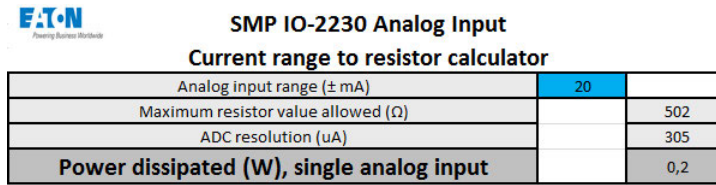


SMP IO-2230 temperature derating calculator

Description	Configuration	Power dissipation (W)
Main Supply Voltage SMPIO	48V	1.15
Ethernet	Copper	0.65
IO Row [1-8] [9-16]	8BI 8HAI	1.33
IO Row [17-24] [25-32]	8BI 8HAI	1.33
IO Row [33-40] [41-48]	8BI 8HAI	1.33
IO Row [49-56] [57-64]	8BI 8HAI	1.33
SMP IO-2230 power (Watt)		7.12
Wetting voltage for input	48V	
Maximum number of Binary Inputs available	32	
Binary Input steady ON in same time	0	0
Maximum number of outputs available	0	
Output steady ON in same time	0	
Average Current per Output stay ON	0.00	0
Total power in device (Watt)		8.9
Operational maximum ambient temperature		70°C
Power Supply efficiency		1.25

Figure 5. Temperature derating and power for a typical SMP IO-2230-A application

Analog input current range and resistance calculator

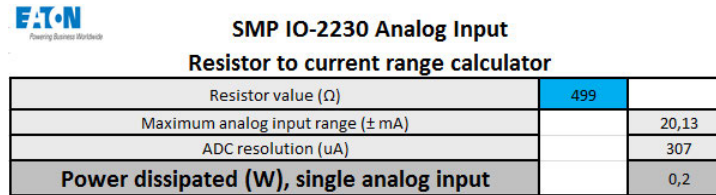


The screenshot shows the Eaton logo and the title "SMP IO-2230 Analog Input Current range to resistor calculator". Below the title is a table with three columns. The first column contains labels for input and output parameters. The second column contains numerical values, and the third column contains calculated results.

SMP IO-2230 Analog Input Current range to resistor calculator		
Analog input range (\pm mA)	20	
Maximum resistor value allowed (Ω)		502
ADC resolution (μ A)		305
Power dissipated (W), single analog input		0,2

Figure 6. Resistor calculation for a typical application

Analog input current range and resistance calculator



The screenshot shows the Eaton logo and the title "SMP IO-2230 Analog Input Resistor to current range calculator". Below the title is a table with three columns. The first column contains labels for input and output parameters. The second column contains numerical values, and the third column contains calculated results.

SMP IO-2230 Analog Input Resistor to current range calculator		
Resistor value (Ω)	499	
Maximum analog input range (\pm mA)		20,13
ADC resolution (μ A)		307
Power dissipated (W), single analog input		0,2

Figure 7. Resistor calculation for a typical application

Dimension drawings

Following are the top and side views for the SMP IO-2230-A.

Note: The dimension is the same for all SMP IO-2230 system (SMP IO-2230-K is shown)

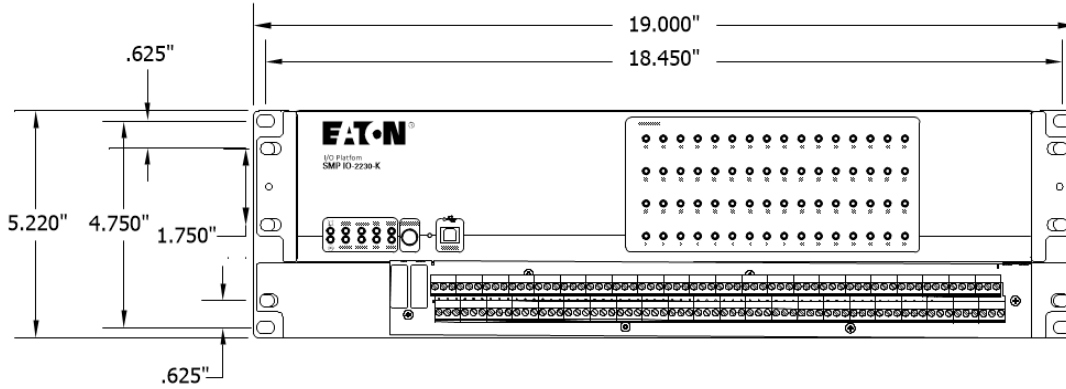


Figure 8. Front view

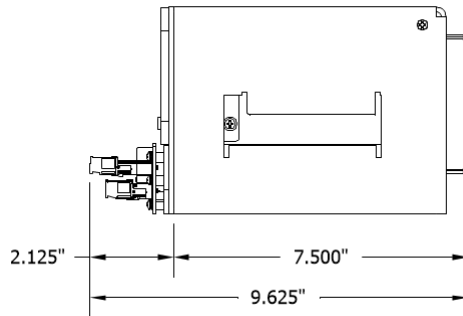


Figure 9. Side view

Ordering information

The packing slip you received with the device refers to an SMP IO-2230-A system number which is based on a configuration chart.

The configuration chart table for the SMP IO-2230-A provides information to verify that the received product corresponds to your requirements.

The following table details all characteristics to match the expected features of the SMP IO-2230-A unit.

Table 13. SMP IO-2230-A configuration chart

Description	123	4	5	6	7	8	9	10	11	12	13	14	15	16	17	18	
Family																	
[IO2] Substation IO	IO2																
Format																	
[1] Rackmount		2															
Model / Application																	
[3] Basic - I/O Acquisition (Monitoring & Control)			3														
Special / Customer Custom Configuration #1																	
[A] D20A - Analog Input Module				A													
Special / Customer Custom Configuration #2																	
[G] Compression disconnect termination (w plug)					G												
[H] Compression disconnect termination (w/o plug)					H												
Internal Flash Memory																	
[A] 2 Gb NAND Flash						A											
Basic Ethernet Option																	
[C] 2 Ethernet 10/100 Base-T							C										
[L] 2 Ethernet 100 Optical, LC connectors							L										
Power Supply																	
[U] 100-240 Vac, 24-250 Vdc								U									
I/O 1 to 16																	
[G] 8 Binary Input ; 8 Analog Input High Isolation Note: The 8 binary inputs are not available to customers.										G							
I/O 17 to 32																	
[G] 8 Binary Input ; 8 Analog Input High Isolation Note: The 8 binary inputs are not available to customers.											G						
I/O 33 to 48																	

Description	123	4	5	6	7	8	9	10	11	12	13	14	15	16	17	18
[G] 8 Binary Input ; 8 Analog Input High Isolation Note: The 8 binary inputs are not available to customers.											G					
I/O 49 to 64																
[G] 8 Binary Input ; 8 Analog Input High Isolation Note: The 8 binary inputs are not available to customers.												G				
Internal - Analog Input Mode																
[1] Voltage Input Adaptor (Set of 32)													1			
[3] Current Input Adaptor 1mA / 10V (Set of 32)													3			
[5] Current Input Adaptor 2mA / 10V (Set of 32)													5			
[7] Current Input Adaptor 20mA / 10V (Set of 32)													7			
Internal - Wetting																
[0] None / External Wetting Only														0		
Internal - BI configuration																
[0] None															0	
I/O Software package options																
[0] SMP IO-2200 Basic profile / NONE																0
[A] SMP IO-2200 61850 profile																A
[B] SMP IO-2200 Controller profile*																B
[C] SMP IO-2200 61850 Controller profile*																C

*: Coming soon option

Accessories and cables

Table 14. Accessories

Part number	Description
SMP-AIM-V001 (Set of 32)	Analog Input Module: Voltage Input Adaptor
SMP-AIM-V001 (Set of 16)	Analog Input Module: Voltage Input Adaptor
SMP-AIM-C001 (Set of 32)	Analog Input Module: Current Input Adaptor - 1mA / 10V
SMP-AIM-C001 (Set of 16)	Analog Input Module: Current Input Adaptor - 1mA / 10V

Part number	Description
SMP-AIM-C002 (Set of 32)	Analog Input Module: Current Input Adaptor - 2mA / 10V
SMP-AIM-C002 (Set of 16)	Analog Input Module: Current Input Adaptor - 2mA / 10V
SMP-AIM-C003 (Set of 32)	Analog Input Module: Current Input Adaptor - 20mA / 10V
SMP-AIM-C003 (Set of 16)	Analog Input Module: Current Input Adaptor - 20mA / 10V
SMP-PSU-2001	External Wetting Power supply: IN: 48VDC; OUT: 24 VDC
SMP-PSU-2002	External Wetting Power supply: IN: Univ. 125V; OUT: 24 VDC

Table 15. Cables

Part number	Description
Shielded Power Cable	
P-CABC-0303-00	AC Power Cable Shielded Nema 5-15-Wire Important: Must be used for Demo or laboratory only
P-CABC-0306-00	Power Cable Shielded Wire-Wire 1.8m
P-CABC-0318-10	Power Cable Shielded Wire-Wire 10m
P-CABC-0318-03	Power Cable Shielded Wire-Wire 3m
P-CABC-0318-01	Power Cable Shielded Wire-Wire 1m
P-CABC-0318-xx	Power Cable Shielded Wire-Wire xm
USB cable	
600AB0008R	Replacement USB Cable, Shielded Note: For USB Console Port
Ethernet Multimode Fiber	
-LC-LC	
P-CABC-0315-0050	Multimode Fiber OM1 62.5/125um LC-LC 50m
P-CABC-0315-0025	Multimode Fiber OM1 62.5/125um LC-LC 25m
P-CABC-0315-0010	Multimode Fiber OM1 62.5/125um LC-LC 10m
P-CABC-0315-0003	Multimode Fiber OM1 62.5/125um LC-LC 3m
P-CABC-0315-0001	Multimode Fiber OM1 62.5/125um LC-LC 1m
P-CABC-0315-xxxx	Multimode Fiber OM1 62.5/125um LC-LC xm
-ST-LC	
P-CABC-0316-0050	Multimode Fiber OM1 62.5/125um LC-LC 50m
P-CABC-0316-0025	Multimode Fiber OM1 62.5/125um LC-LC 25m
P-CABC-0316-0010	Multimode Fiber OM1 62.5/125um LC-LC 10m
P-CABC-0316-0003	Multimode Fiber OM1 62.5/125um LC-LC 3m
P-CABC-0316-0001	Multimode Fiber OM1 62.5/125um LC-LC 1m
P-CABC-0316-xxxx	Multimode Fiber OM1 62.5/125um LC-LC xm
Ethernet RJ45 Shielded cable	
P-CABC-0310-025	Copper Ethernet Cable RJ45 CAT6 25m
P-CABC-0310-010	Copper Ethernet Cable RJ45 CAT6 10m

Part number	Description
P-CABC-0310-03	Copper Ethernet Cable RJ45 CAT6 3m
P-CABC-0310-01	Copper Ethernet Cable RJ45 CAT6 1m
P-CABC-0310-xxx	Copper Ethernet Cable RJ45 CAT6 xm
DB9 Serial Shielded Cable	
RS-485 2-wires + IRIG-B, shielded cable, DB9 to Wires	
P-CABC-0309-0010	RS485 2-wires Serial Cable DB9M to Wire 10m
P-CABC-0309-0003	RS485 2-wires Serial Cable DB9M to Wire 3m
P-CABC-0309-0001	RS485 2-wires Serial Cable DB9M to Wire 1m
P-CABC-0309-xxxx	RS485 2-wires Serial Cable DB9M to Wire xm
Time Synchronization Shielded Cable	
4 Twisted Pairs Shielded cable: Irig-B; RS-485 4-Wires/2-Wires Wire-Wire	
P-CABC-0320-25	4 Twisted Pairs Cable Wire-Wire 25 m
P-CABC-0320-10	4 Twisted Pairs Cable Wire-Wire 10 m
P-CABC-0320-03	4 Twisted Pairs Cable Wire-Wire 3 m
P-CABC-0320-01	4 Twisted Pairs Cable Wire-Wire 1 m
P-CABC-0320-xx	4 Twisted Pairs Cable Wire-Wire xm

Some cables can be provided with custom lengths, according to customer request. For a custom length-cable, use the required length to create your own cable code.

Contact your Eaton representative to validate the maximum length for your application. Example: a cable P-CABC-0310-xxx with 2 meters length will be P-CABC-0310-002 (always use length in meters). Contact Eaton for other cable requirements.



Eaton
1000 Eaton Boulevard
Cleveland, OH 44122
United States
Eaton.com

Eaton's Power Systems Division
2300 Badger Drive
Waukesha, WI 53188
United States
Eaton.com/smartgrid

© 2019 Eaton
All Rights Reserved
Printed in USA
Publication No. CA912006EN

To learn more, visit
Eaton.com/smartgrid

Eaton is a registered trademark.
All other trademarks are property
of their respective owners.

Follow us on social media to get the
latest product and support information.

