



Subject: Aux-Drive Gear Bearing Change / 13-Speed MHP Models

Document Number: TAIB0867 EN-US

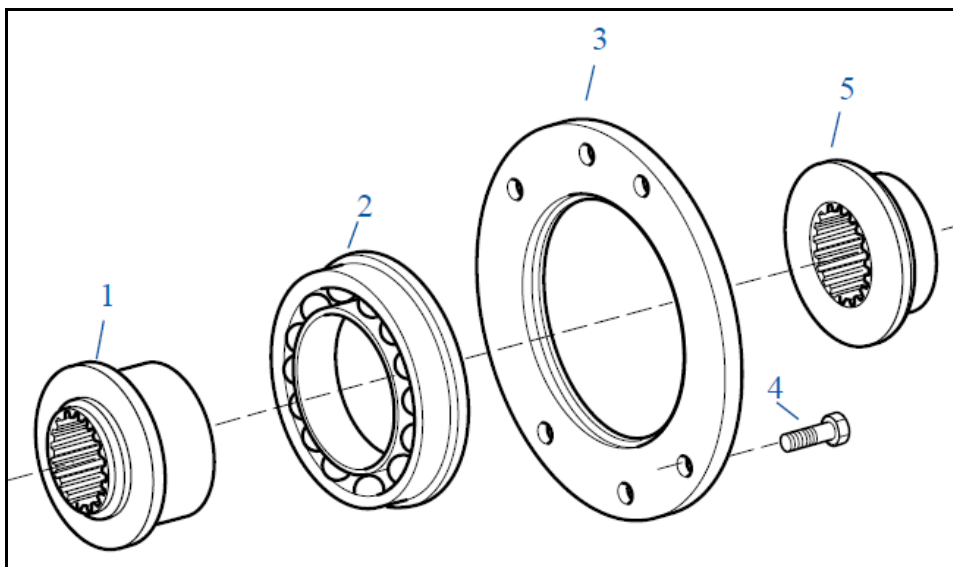
Date: January 22, 2018

Issue Description: 13-speed MHP models built after 3/20/17 now use a 5566508 aux-drive gear bearing in place of the 5566510. Due to the dimensional differences of these two bearings, the following parts were also used to accommodate this change.

- Main Case – 4308734
- Bearing Spacer – 4308953
- Bearing - 5566508
- Retainer – 4304605
- Drive Gear Spacer – 4300911

The following parts will be needed if an S-3121 (4306036) service case is used on a transmission originally built with a 4308734 case.

- Bearing spacer – 4306314 (item 1)
- Bearing – 5566510 (item 2)
- Retainer – 4304497 (item 3)
- Drive gear spacer – 4304500 (item 5)
- Cooler port adapter kit – K-4292



Affected Models: 13-speed MHP models built after 3/20/2017.

- FO-14E313A-MHP
- FO-16E313A-MHP
- FO-18E313A-MHP

Warranty Information:

Warranty Parts:

- Varies by failure

Warranty Labor:

- Per OEM SRT

Warranty Coverage: Standard and extended coverage remains the same, reference Eaton Warranty Guide TCWY0900 for more details.

The material contained in this bulletin is product improvement information. Eaton is not committed to, or liable for, canvassing existing products.

FSUD: 2018-FSUD-2559