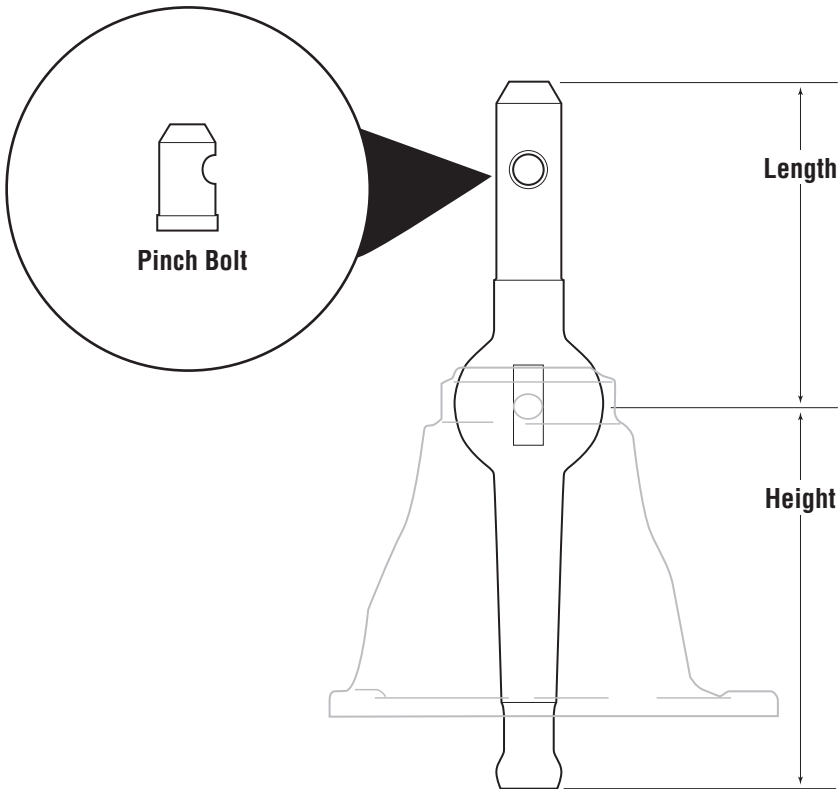


Shift Levers - Medium Duty

Levers



Length for Standard Levers:
Mid: 3.23" or 4.14"

Height for Standard Levers:
Low: 3.14"
Mid: 3.39"
High: 3.76"

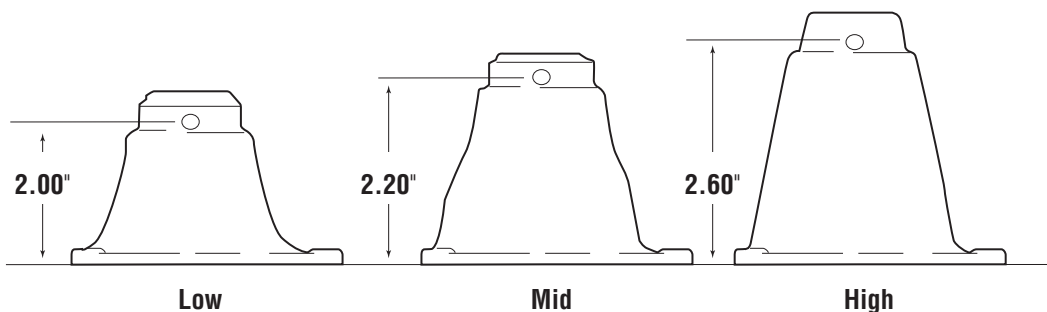
Height for 550/5005 Levers:
Mid: 3.34"
High: 3.72"

	Stub Lever	Stub Lever w/Isolator	Full Lever
Standard Lever			
Low	4301937	K-7059	4302823 (33" Lever)
Mid	22383 (4.14" Lever) 4301564* (3.23" Lever)	K-7058 (4.14" Lever) --	241076 (27.5" Lever)
High	22384	K-7057	21722 (27.5" Lever)
Pinch Bolt Lever	4305034	--	--
550/5005 Lever			
Mid	4301170	--	--
High	22385	K-7060	228648 (32.8" Lever)

* 4301564 has an offset hole for the Isolator Assembly for Mercedes Benz Mexico products.

Shift Levers

Towers

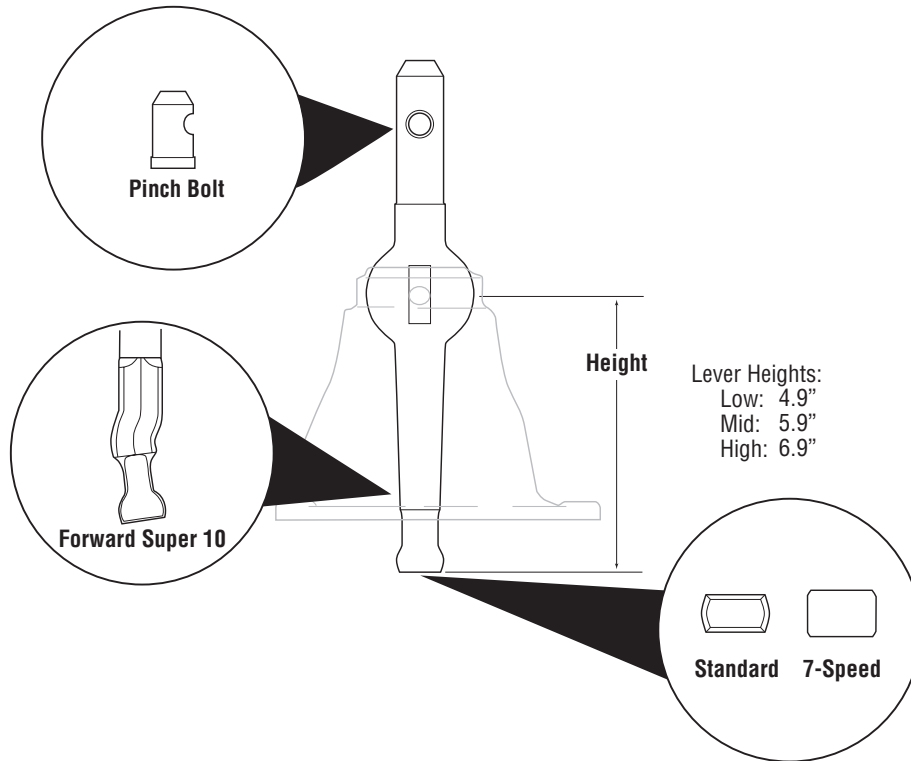


		Tower Only		Tower Assy	Tower Kit	
		w/o Rev Stop	w/Rev Stop	w/Rev Stop	w/o Rev Stop	w/Rev Stop
Standard Lever						
Low	Aluminum	4302704	--	--	K-7065	--
	Cast Iron	4302654	--	--	K-7056	--
Mid	Aluminum	241075	--	--	K-7061	--
	Cast Iron	23178	4301118	S-1859	K-7014	K-2363
High	Aluminum	233080	--	--	K-7062	--
	Cast Iron	23179	4301119	S-1860	K-7015	K-2364
Pinch Bolt Lever		Cast Iron	23179	--	K-7015	--
550/5005 Lever						
Mid	Aluminum	241075	--	--	K-7061	--
High	Aluminum	233080	--	--	K-7062	--

Lever & Tower Assemblies

		Stub Lever & Tower Assy	Stub & Tower Assy w/Isolator	Full Lever & Tower Assy	
Standard Lever					
Low	Aluminum	S-7015	S-7064	S-7045	
Mid	Aluminum	S-1821	S-7063	S-1827	
	Cast Iron	A-6164	--	--	
High	Aluminum	S-1697	S-7065	S-1578	
	Cast Iron	--	S-2938	--	
550/5005 Lever		Aluminum	S-1698	S-7066	S-1643

Shift Levers - Heavy Duty

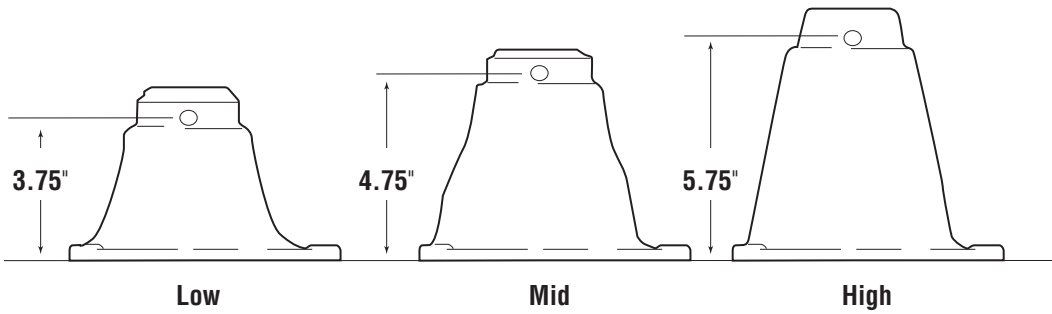


Levers

	Stub Lever	Stub Lever w/Isolator	Full Lever w/Isolator
Standard Lever			
Low	21235	K-2428	K-3147
Mid	4301168	K-2978	K-3148
High	21236	K-2429	K-3149
Forward Super 10 Lever			
Low	4302532	--	--
Mid	4302700	--	--
High	4303556 4303600 (Pinch Bolt Style)	--	--
Pinch Bolt Lever			
Low	23008	--	--
High	4301160	--	--
7-Speed Lever			
Low	4303996	--	--
Mid	4303995	--	--
High	4303994	--	--

Shift Levers

Towers



	Tower Only	Tower Assy	Tower Kit
Standard Lever			
Low	4304905	A-4437	K-1476
Mid	4304907	A-6040	K-2977
High	4304910	A-6578	K-2973
Forward Super 10 Lever			
Low	4304904	A-6388	K-3636
Mid	4304908	A-6402	K-3635
High	4304911	A-6579	K-2927
Pinch Bolt Lever*			
Low	4304905	A-4437	K-1476
High	4304910	A-6578	K-2973
7-Speed Lever			
Low	4304905	A-4437	K-1476
Mid	4304907	A-6040	K-2977
High	4304910	A-6578	K-2973
* Pinch bolt style stub levers used with 4302315 bracket.			

Lever & Tower Assemblies

	Stub Lever & Tower Assy	Stub Lever & Tower Assy w/Isolator	Full Lever & Tower Assy
Standard Lever			
Low	S-1677	S-2129	S-2525
Mid	S-1967	S-2519	S-2526
High	S-1579	S-2130	S-2527
Forward Super 10 Lever			
Low	S-2281	--	--
Mid	S-2282	--	--
High	S-2283 S-2530 (Pinch bolt style)	--	--
Pinch Bolt Lever			
Low	S-2124	--	--
High	S-2093	--	--
7-Speed Lever			
Low	S-2727	--	--
Mid	S-2728	--	--
High	S-2729	--	--