



*Powering Business Worldwide*

# Illustrated Parts List

---

**Y08147**

**November 2015**

# Contents

How To Use The Illustrated Parts List .....	3
FRONT BEARING COVER ASSY. ....	4
FRONT CASE ASSY.....	5
INPUT SHAFT ASSY.....	7
INTERMEDIATE CASE ASSY. ....	8
LAYSHAFT ASSY. ....	10
LRC ASSEMBLY .....	12
MAINSHAFT ASSY.....	14
PLANET GEAR SPINDLE ASSY. ....	17
RANGE ASSY.....	18
RANGE CONTROL ASSY.....	20
REAR CASE ASSY. ....	22
REVERSE IDLER ASSY.....	25
SELECTOR ASSY. ....	26

## How To Use The Illustrated Parts List

The information contained in this document is subject to frequent updates. Therefore, for the latest information available, please visit the interactive Electronic Parts Catalog at <http://www.eaton.com/EatonCom/TruckEurope/TruckEurope/index.htm>

### Model Designation and Nomenclature

- For information regarding Model Designation and Nomenclature, visit <http://www.eaton.com/EatonCom/TruckEurope/TruckEurope/index.htm>

### Kits and Assemblies (K/A's)

- Kits or Assemblies contain groups of individual or assembled parts specially developed for optimal replacement during repair.
- Kits and Assemblies are shown with applicable parts groupings in the parts listings.

### Identifying Kits and Assemblies

A- Part numbers beginning with the letter 'A' are pre-assembled Production Assemblies

K- Part numbers beginning with the letter 'K' are kits that are not assembled

T - Part numbers beginning with the letter 'T' are kits that are not assembled

S- Part numbers beginning with the letter 'S' are pre-assembled Service Assemblies

- Note: Some Production Assemblies do not begin with a letter prefix (Midrange only).

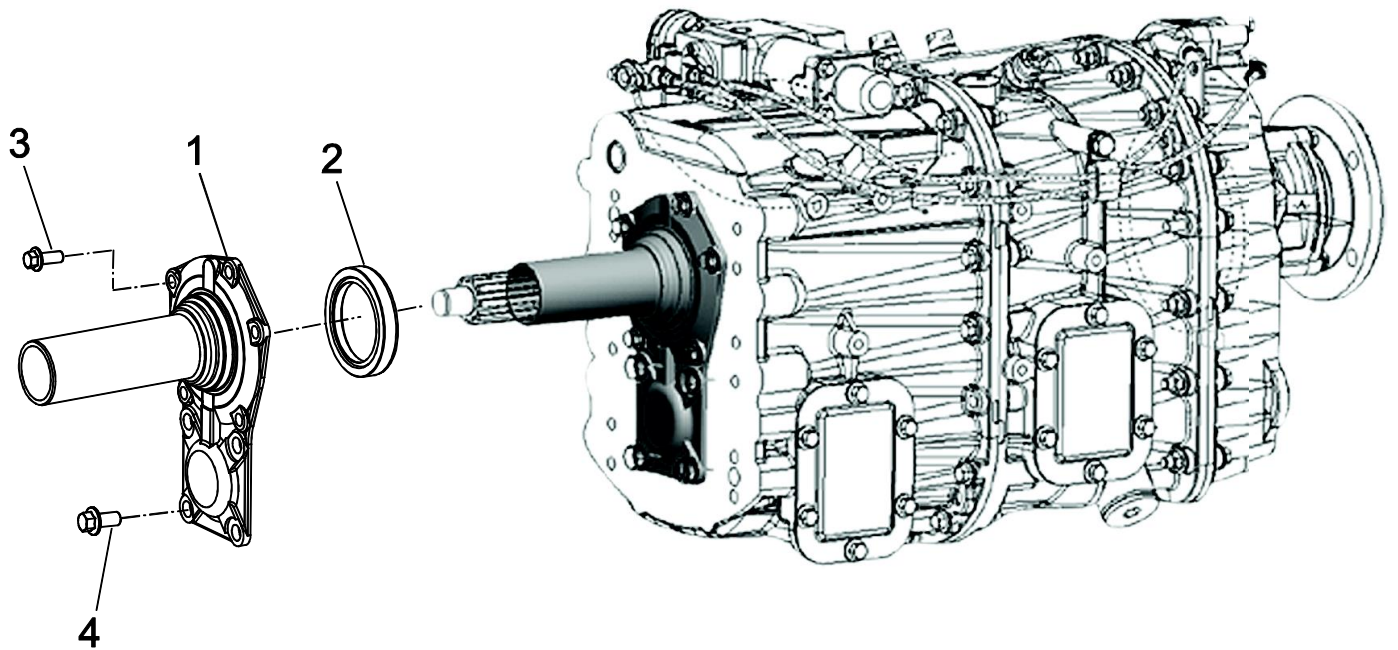
### Illustrations

- Illustrations show parts in assembly groups.
- Item numbers on illustrations correspond with parts listings adjacent to the illustration.(on the same or adjacent page)
- Notes are included on illustrations where additional information is needed.

### Parts Listing

Parts listings are defined by parts groupings and are broken down by service assemblies. Parts listings identify a part for servicing with the following categories

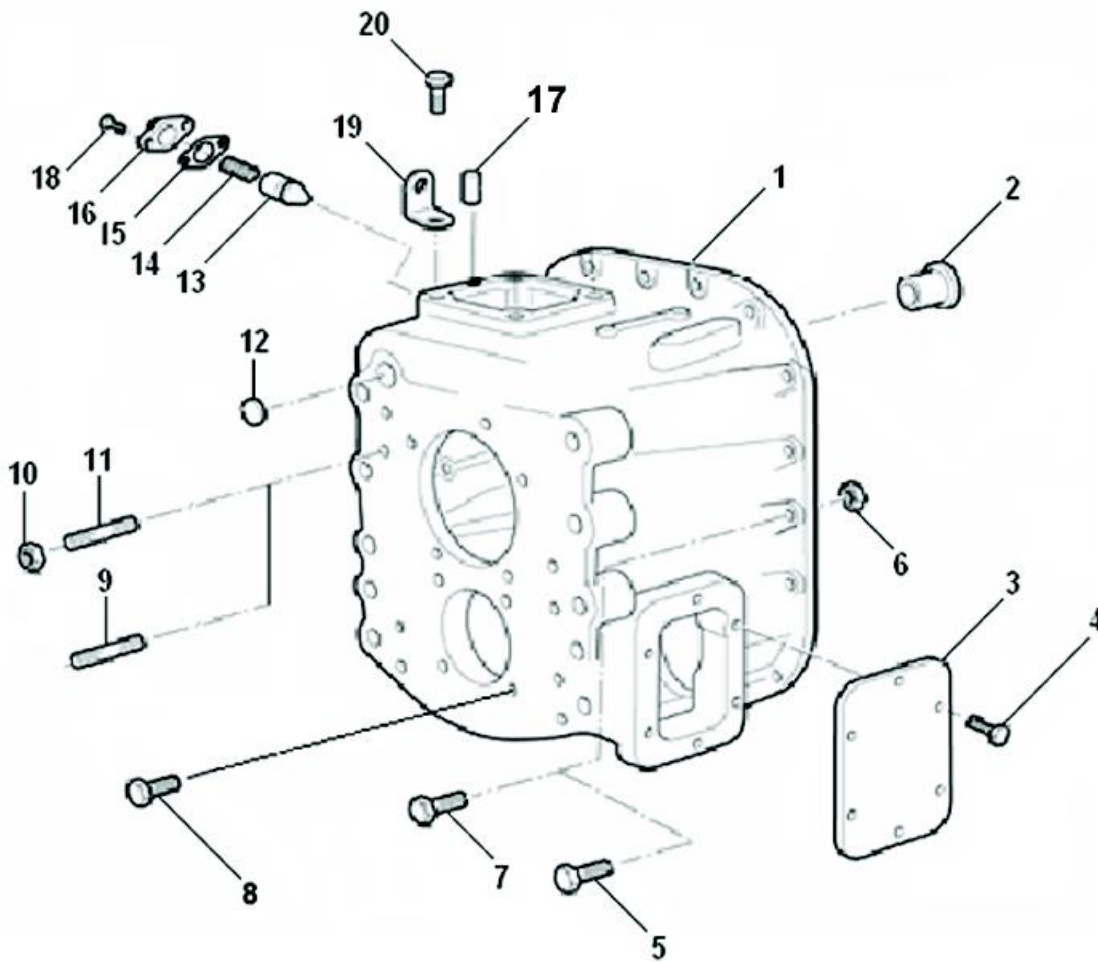
- **ITEM** - Number corresponds to number on illustration for part identification.
- **CURRENT PART** - part number of the part available for service.
- **DESCRIPTION** - part name or description.
- **REPLACED PART** - number of replaced part.
- **QTY** - Quantity required for assembly.
- **NOTES** - unique characteristics or requirements.
- **KITS / ASSYS WHERE NEEDED** - kits or assemblies that contain the part.



PU0144

**FRONT BEARING COVER ASSY.**

Item	Current Part	Description	Replaced Part	Qty.	Notes	Kits/Assys Where Needed
0	U8877623	FRONT BEARING COVER ASSY.		1		
1	8877622	FRONT BEARING COVER		1		
2	X8870760	OIL SEAL		1		
3	GMX-8-1089	SCREW		5	M10X25 HEX FLG HD	
4	GMX-8-1240	SCREW		4	M12X25 HEX FLG HD	

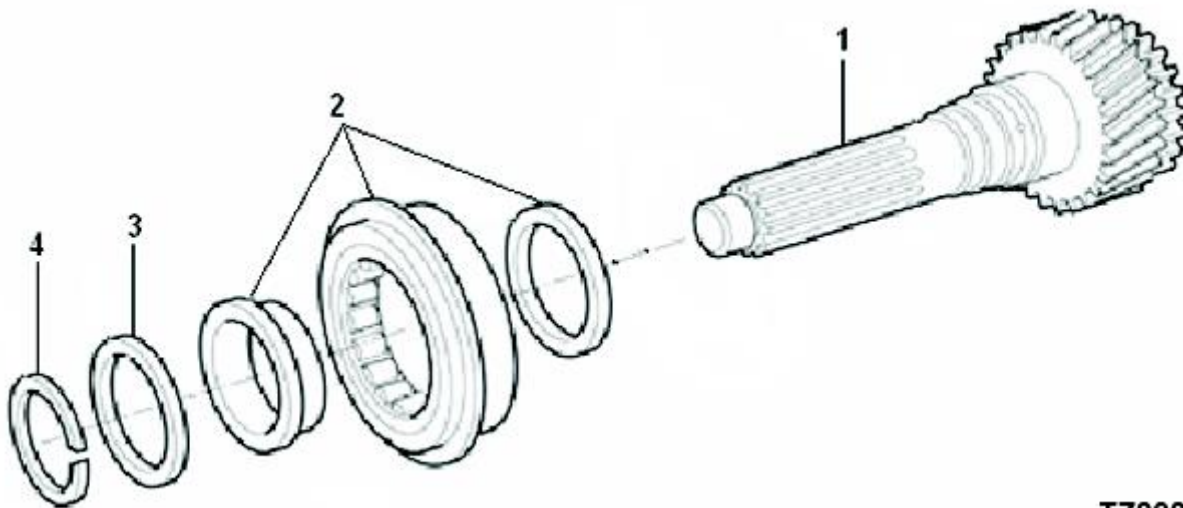


**TZ0726**

**FRONT CASE ASSY.**

Item	Current Part	Description	Replaced Part	Qty.	Notes	Kits/Assys Where Needed
0	U8882043	FRONT CASE ASSY.		1		
1	8881835	FRONT CASING		1		
2	8883756	BUSH	8882415	1	FOR MAIN SELECTOR SHAFT	
3	8881616	PTO PROVISION COVER		1		
4	GMX-8-1088	SCREW		6	M12X25 HEX FLG HD	
5	GMX-8-1079	BOLT		4	M10X40	
6	GMX-9-1005	NUT		14	M10X1.5	
7	GMX-8-10110	BOLT		1		

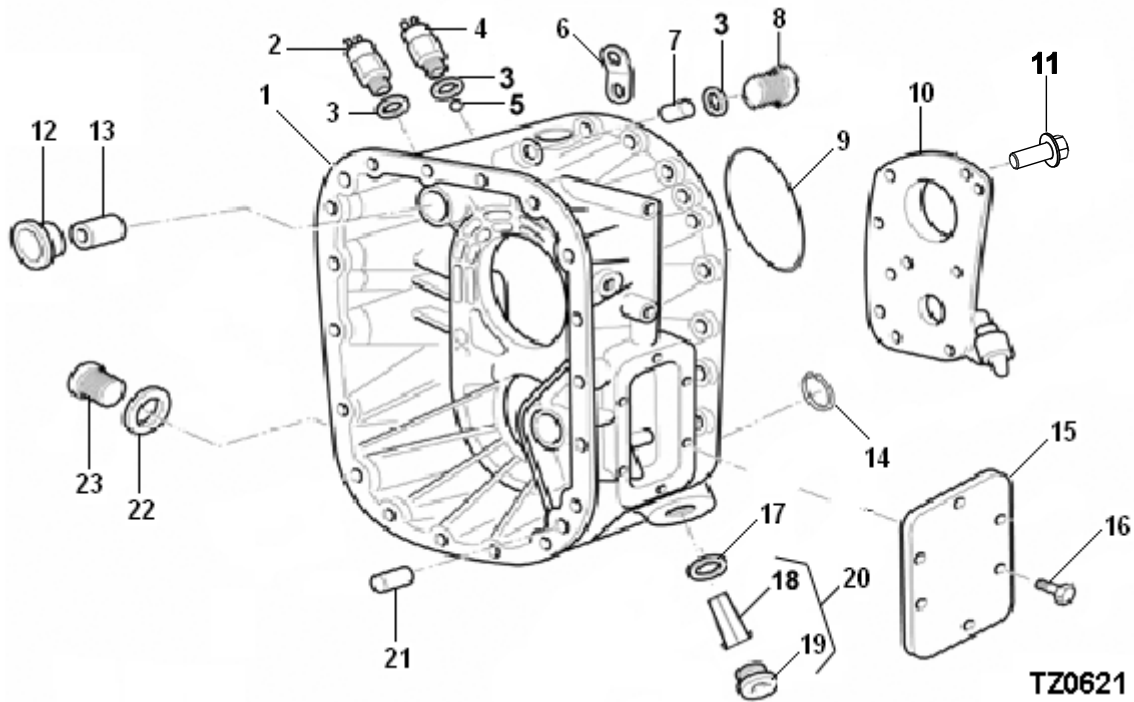
Item	Current Part	Description	Replaced Part	Qty.	Notes	Kits/Assys Where Needed
7	GMX-8-1080	BOLT		13	M10X58	
8	GMX-8-1240	SCREW		4	M12X25 HEX FLG HD	
9	GX8874699	STUD		2	M12X65 LONG	
10	GMX-9-1204	NUT		12	M12	
11	GX8873931	STUD		10	M12X45 LONG	
12	GX8870278	CUP PLUG		1		
13	8873654	PLUNGER-NEUTRAL		1		
14	8871098	SPRING COMPRESSION		1		
15	8870590	GASKET		1		
16	GX8870259	DETENT COVER		1		
17	X8870542	DOWEL		2	8,0 DIA X 16	
18	GMX-8-0819	SCREW	GMX-8-0801	2	M8 X 16	
19	GX8879212	LIFTING EYE		1	15 MM	
20	GMX-8-1091	SCREW		4	M10X30 HEX FLG HD	



**TZ0003**

**INPUT SHAFT ASSY.**

Item	Current Part	Description	Replaced Part	Qty.	Notes	Kits/Assys Where Needed
0	U8877161	INPUT SHAFT ASSEMBLY		1		
1	8877839	INPUT SHAFT		1		
2	X8872593	INPUT SHAFT BEARING		1		
3	8877692	SPACER - GRADED 3.10		1	PACK: U8877691	
3	8877693	SPACER - GRADED 3.15		1	PACK: U8877691	
3	8877694	SPACER - GRADED 3.20		1	PACK: U8877691	
3	8877695	SPACER - GRADED 3.25		1	PACK: U8877691	
3	8877696	SPACER - GRADED 3.30		1	PACK: U8877691	
3	8877697	SPACER - GRADED 3.35		1	PACK: U8877691	
3	8877698	SPACER - GRADED 3.40		1	PACK: U8877691	
3	8877699	SPACER - GRADED 3.45		1	PACK: U8877691	
3	8877700	SPACER - GRADED 3.50		1	PACK: U8877691	
3	U8877691	SPACER - GRADED PACK		1		
4	X8877706	CIRCLIP		1		

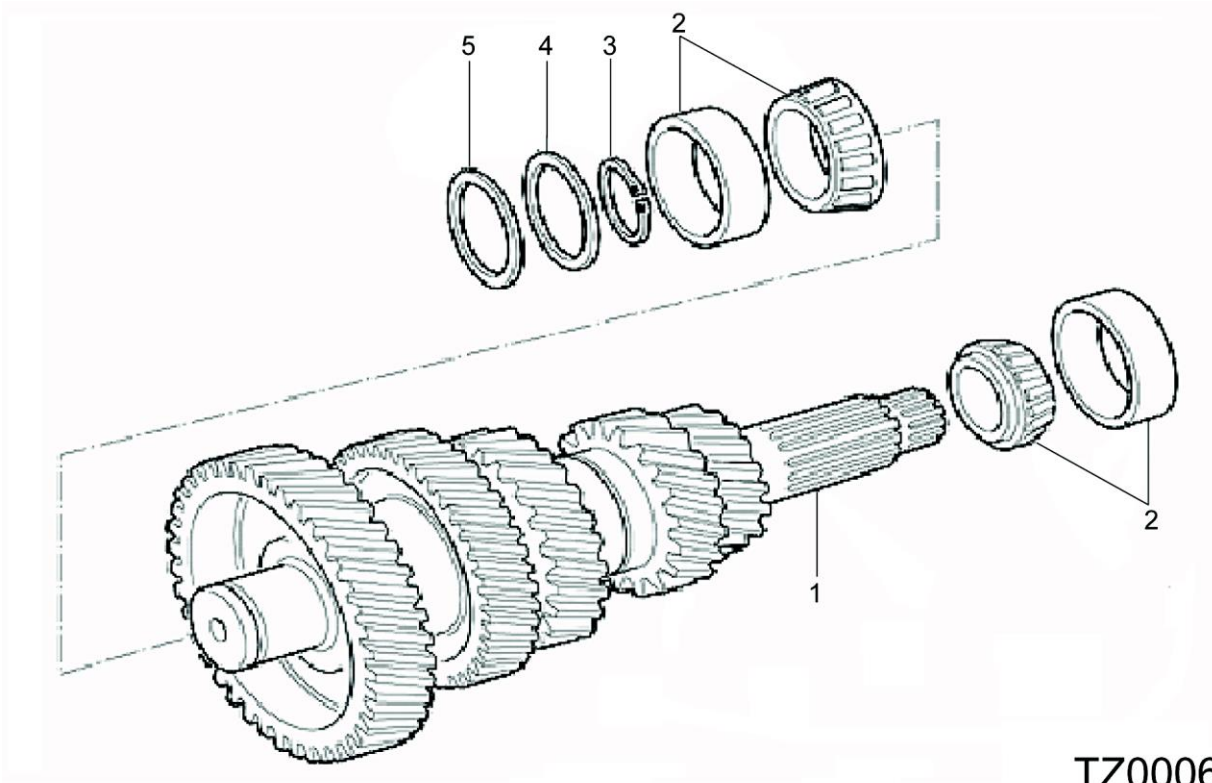


## INTERMEDIATE CASE ASSY.

Item	Current Part	Description	Replaced Part	Qty.	Notes	Kits/Assys Where Needed
0	T21228	SERVICE KIT OIL STRAINER/ WASHER		1	INCLUDES 8876351, GX8876352 & X8880469	
0	U8876645	INTERMEDIATE CASE ASSY		1		
1	8876644	INTERMEDIATE CASE		1		
2	GX2771532	SWITCH REVERSE / RANGE		1		
3	5568510	O-RING		3		
4	8880315	NEUTRAL SWITCH		1		
5	X8870711	BALL		1	DIA.14	
6	GX8879211	LIFTING EYE		1		
7	8875267	PIN INTERLOCK		1		
8	GX8871502	PLUG		1	M16	
9	X8881475	O-RING		1	(109,5X3,0)	
10	U8883824	OIL PUMP	GU8875469	1		
11	GMX-8-1089	SCREW		8	M10X25 HEX FLG HD	
12	8883756	BUSH	8882415	1	FOR MAIN SELECTOR SHAFT	



Item	Current Part	Description	Replaced Part	Qty.	Notes	Kits/Assys Where Needed
13	X8871377	BUSH		1		
14	X8881424	CIRCLIP		1		
15	8881616	PTO PROVISION COVER		1		
16	GMX-8-1088	SCREW		6	M12X25 HEX FLG HD	
17	X8880469	WASHER-OIL STRAINER / DRAIN		1		T21228
18	8876351	STRAINER-OIL		1		
19	GX8876352	PLUG OIL STRAINER		1		
20	U8876353	OIL STRAINER ASSY.		1		T21228
21	X8870543	DOWEL		2	16,0 DI X 30,5	
22	X8880519	WASHER-FILL/DRAIN FL		1		
23	GX8874941	MAGNETIC PLUG		1	M24	

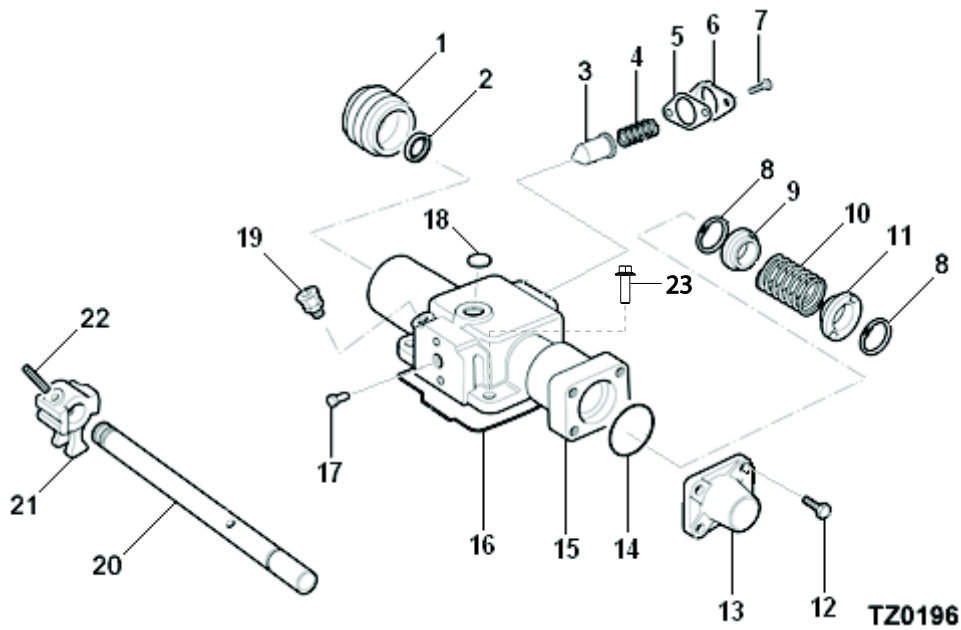


TZ0006

**LAYSHAFT ASSY.**

Item	Current Part	Description	Replaced Part	Qty.	Notes	Kits/Assys Where Needed
1	U8880745	LAYSHAFT ASSY.		1		
2	X8875587	BEARING ASSEMBLY		2		
3	U8877534	CIRCLIP GRADED PACK		1		
3	X8870370	GR.C/CLIP 40 DIA. X 2.12 MM		1		
3	X8870371	GR.C/CLIP 40 DIA. X 2.07 MM		1		
3	X8870372	GR.C/CLIP 40 DIA X 2.02 MM		1		
3	X8871536	GR.C/CLIP 40 DIA. X 1.97 MM		1		
3	X8871537	GR.C/CLIP 40 DIA. X 1.92 MM		1		
3	X8871538	GR.C/CLIP 40 DIA. X 1.87 MM		1		
3	X8871539	GR.C/CLIP 40 DIA. X 1.82 MM		1		
3	X8871540	GR.C/CLIP 40 DIA. X 1.77 MM		1		

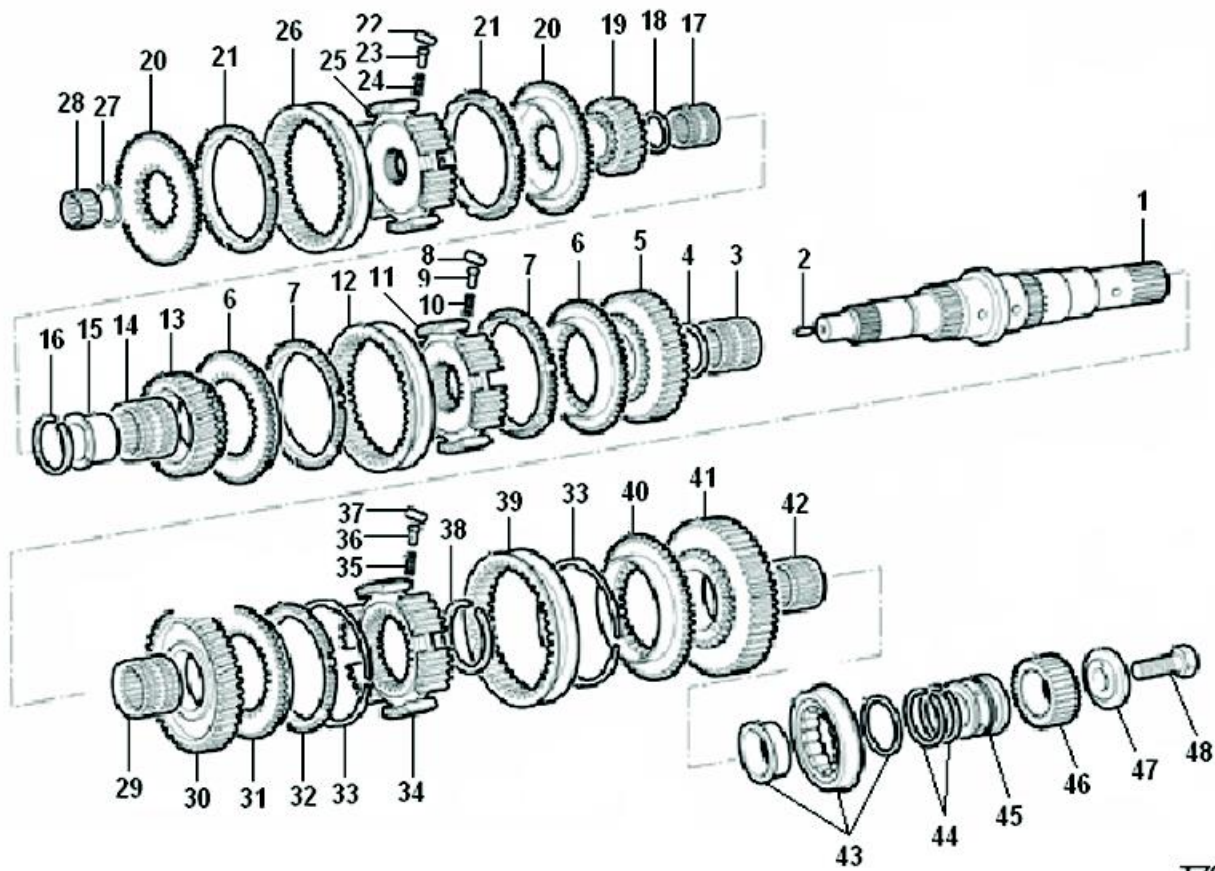
Item	Current Part	Description	Replaced Part	Qty.	Notes	Kits/Assys Where Needed
4	F88891	SHIM		1	S=0,051	
4	F88892	SHIM		1	S=0,127	
4	F88893	SHIM		1	S=0,254	
4	F88894	SHIM		1	S=0,508	
4	U8877535	SHIM PACK		1		
4	X8882272	SHIM		1	S=1,200	
5	8875879	SPACER		1		



## LRC ASSEMBLY

Item	Current Part	Description	Replaced Part	Qty.	Notes	Kits/Assys Where Needed
0	U8881057	LRC ASSY RHV		1		
1	X8875259	BOOT		1		
2	X8881481	OIL SEAL		1		
3	8875415	PLUNGER - DETENT		1		
4	8871098	SPRING COMPRESSION		1		
5	8870590	GASKET		1		
6	GX8870259	DETENT COVER		1		
7	GMX-8-0848	SCREW		2		
8	X8874450	CIRCLIP		2	25.DIA	
9	8876566	SPRING RETAINER-BOOSTER		1		
10	8871395	SPRING COMPRESSION		1		
11	8876567	SPRING RETAINER-BIAS		1		
12	GMX-8-0847	SCREW		4		
13	8880477	END CAP		1		
14	X8880639	O-RING		1		
15	U8880694	LRC SUB ASSY		1		

Item	Current Part	Description	Replaced Part	Qty.	Notes	Kits/Assys Where Needed
16	8880638	SEAL		1		
17	8871375	SWITCH ACTIVATOR PIN		1		
18	GX8871486	EXPANSION PLUG		1		
19	X2014210	BREATHER		1		
20	8876410	SHIFT ROD		1		
21	8877656	LEVER INNER STRIKING		1		
22	X8871378	DOWEL		1	10,0 DIA X 44	
23	GMX-8-1091	SCREW		4	M10X30 HEX FLG HD	



TZ0005

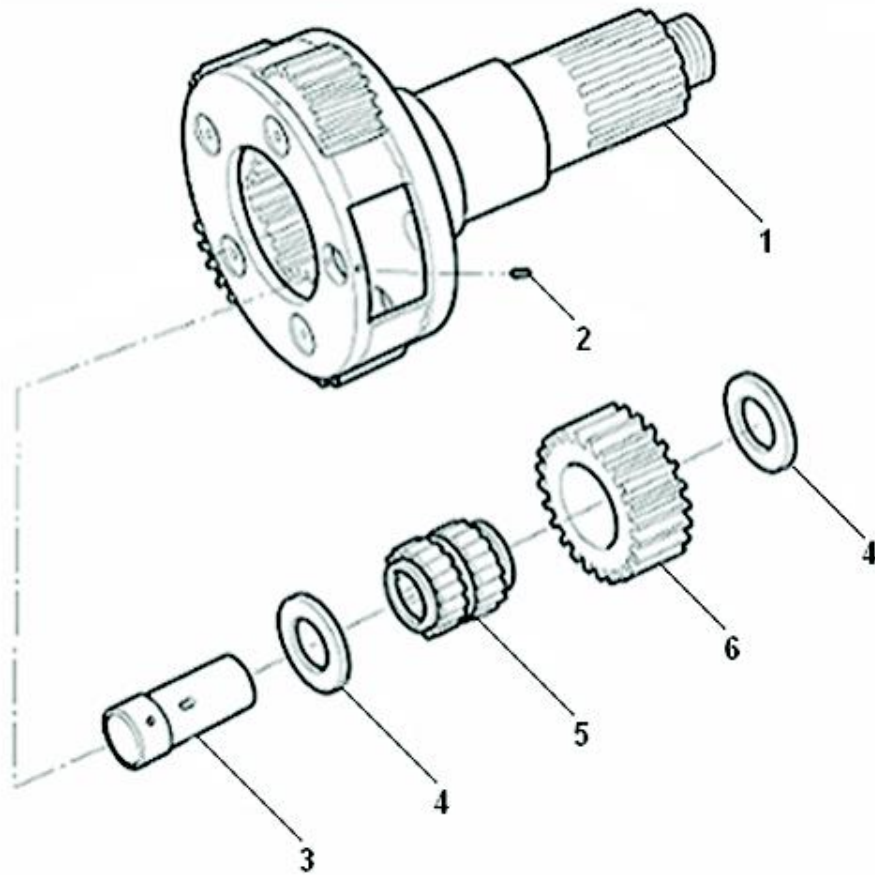
## MAINSHAFT ASSY.

Item	Current Part	Description	Replaced Part	Qty.	Notes	Kits/Assys Where Needed
0	U8882920	MAINSHAFT ASSY.		1		
1	U8877186V	MAINSHAFT SUB ASSY.	U8877186	1		
2	X14851	DOWEL		1	5/16 DI X 1.50	
3	X8870177	NEEDLE ROLLER BRG. ASSY		1		
4	8872589	GEAR SPACER 1ST		1		
5	8876948	GEAR MAINSHAFT 1ST		1		
6	8877321	SYNCHRO FLANGE 1/2/3/4		2		
7	8883044	RING SYNCHRO 1ST/2ND	8882682	2		
8	X8870356	ROLLER		3		
9	8870352	PLUNGER		3		
10	8870444	SPRING COMPRESSION		3		
11	8875571	HUB-FIXED, 1ST/2ND		1		

Item	Current Part	Description	Replaced Part	Qty.	Notes	Kits/Assys Where Needed
12	8880460	SLIDING SLEEVE		1		
13	8876949	GEAR MAINSHAFT 2ND		1		
14	X8870177	NEEDLE ROLLER BRG. ASSY		1		
15	8882868	SLEEVE MAINSHAFT BEARING		1		
16	U8882558	GRADED CIRCLIP PACK		1		
16	X8870534	GR.CIRCLIP 46 DIA. X 2.10 MM		1	PACK: U8882558	
16	X8870535	GR.CIRCLIP 46 DIA. X 2.05 MM		1	PACK: U8882558	
16	X8870536	GR.CIRCLIP 46 DIA. X 2.00 MM		1	PACK: U8882558	
16	X8883040	CIRCLIP GRADED 46 DIA X2.15 MM		1	PACK: U8882558	
16	X8883041	CIRCLIP GRADED 46 DIA X 2.20 MM		1	PACK: U8882558	
17	X8875276	NEEDLE BEARING		1		
18	8872588	GEAR SPACER 4TH		1		
19	8880740	GEAR MAINSHAFT 3RD		1		
20	8877321	SYNCHRO FLANGE 1/2/3/4		2		
21	8883044	RING SYNCHRO 1ST/2ND	8882682	2		
22	X8870356	ROLLER		3		
23	8870352	PLUNGER		3		
24	8870444	SPRING COMPRESSION		3		
25	8875554	FIXED HUB 3RD/4TH		1		
26	8880460	SLIDING SLEEVE		1		
27	U8877531	GRADED CIRCLIP PACK		1		
27	X8870370	GR.C/CLIP 40 DIA. X 2.12 MM		1		
27	X8870371	GR.C/CLIP 40 DIA. X 2.07 MM		1		
27	X8870372	GR.C/CLIP 40 DIA X 2.02 MM		1		
28	X8870305	NEEDLE BRG.ROLLER ASSY		1		
29	X8870177	NEEDLE ROLLER BRG. ASSY		1		

Item	Current Part	Description	Replaced Part	Qty.	Notes	Kits/Assys Where Needed
30	8876477	GEAR MAINSHAFT CRAWLER		1		
31	8880059	SYNCHRO FLANGE CRAWLER		1		
33	X8873994	CIRCLIP SYNCHRO. ASSY.		1		
34	8875604	FIXED HUB REVERSE/CRAWLER		1		
35	8870444	SPRING COMPRESSION		3		
36	8870352	PLUNGER		3		
37	X8870356	ROLLER		3		
38	U8877532	GRADED CIRCLIP PACK		1		
38	X8870378	CIRCLIP-GR.DIA.60 X 2.10 MM		1		
38	X8870379	CIRCLIP-GR.DIA.60 X 2.05 MM		1		
38	X8870380	CIRCLIP-GR.DIA.60 X 2.00 MM		1		
39	8880461	SLIDING SLEEVE		1		
40	8870415	SYNCHRO FLANGE REVERSE		1		
41	8876478	GEAR MAINSHAFT REVERSE		1		
42	X8870178	NEEDLE ROLLER BRG. ASSY		1		
43	X8877164	BEARING REAR MAINSHAFT		1		
44	X8875532	SEALING RING		2		
45	8877115	OIL MUFF		1		
46	8877116	SUN GEAR		1		
47	8880594	RETAINER		1		
48	GX8870699	SCREW		1	M16X45 HEX HD	

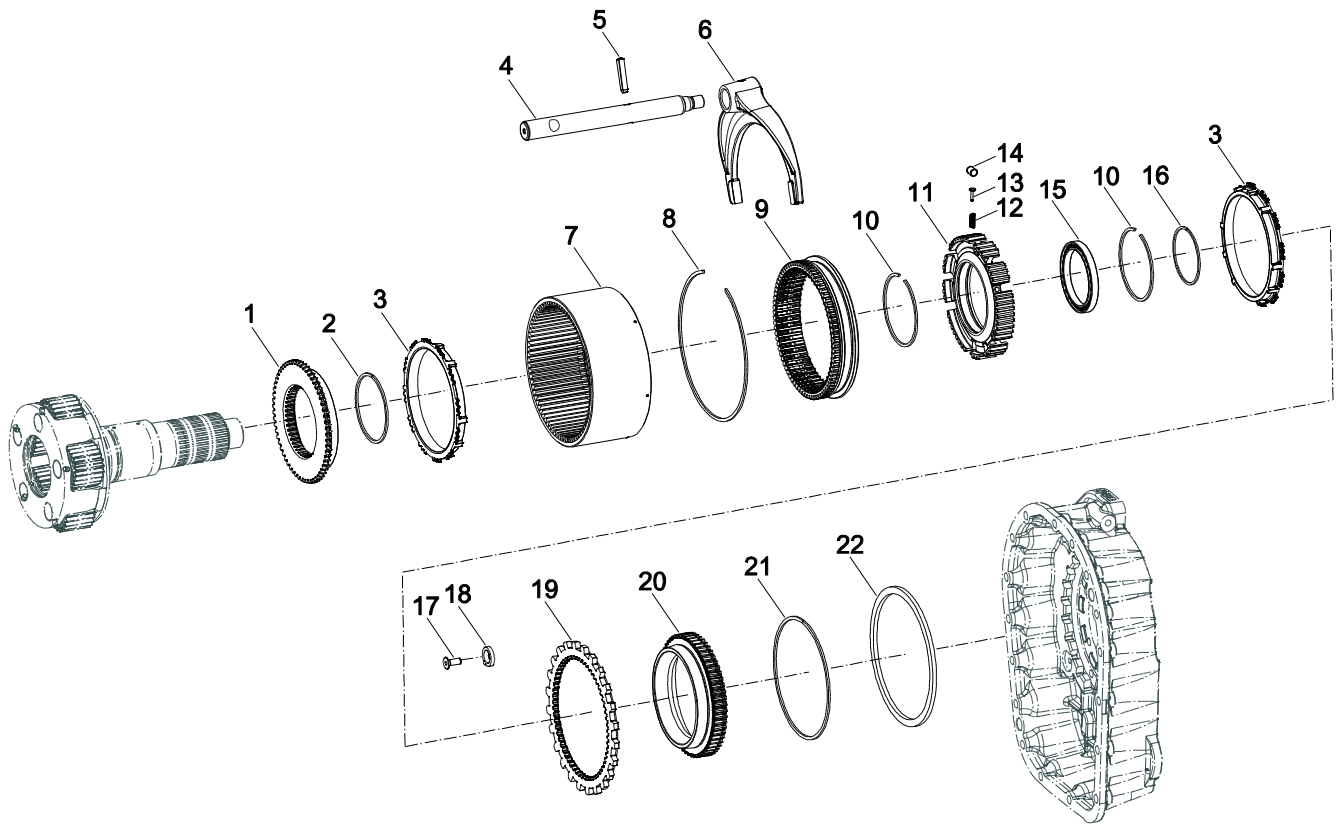




**TZ0008**

**PLANET GEAR SPINDLE ASSY.**

Item	Current Part	Description	Replaced Part	Qty.	Notes	Kits/Assys Where Needed
0	U8877295	PLANET GEAR SPINDLE ASSY.		1		
1	U8882528	OUTPUT SHAFT ASSY.		1		
2	MX-11-0601	SCREW		5	M6 X 10 SKT HD SET	
3	8876972	SPINDLE PLANET GEAR		5		
4	8876893	WASHER		10		
5	U8876969	NEEDLE ROLL BRG. ASSY. PCK.		5		
6	8876970	GEAR PLANET		5		

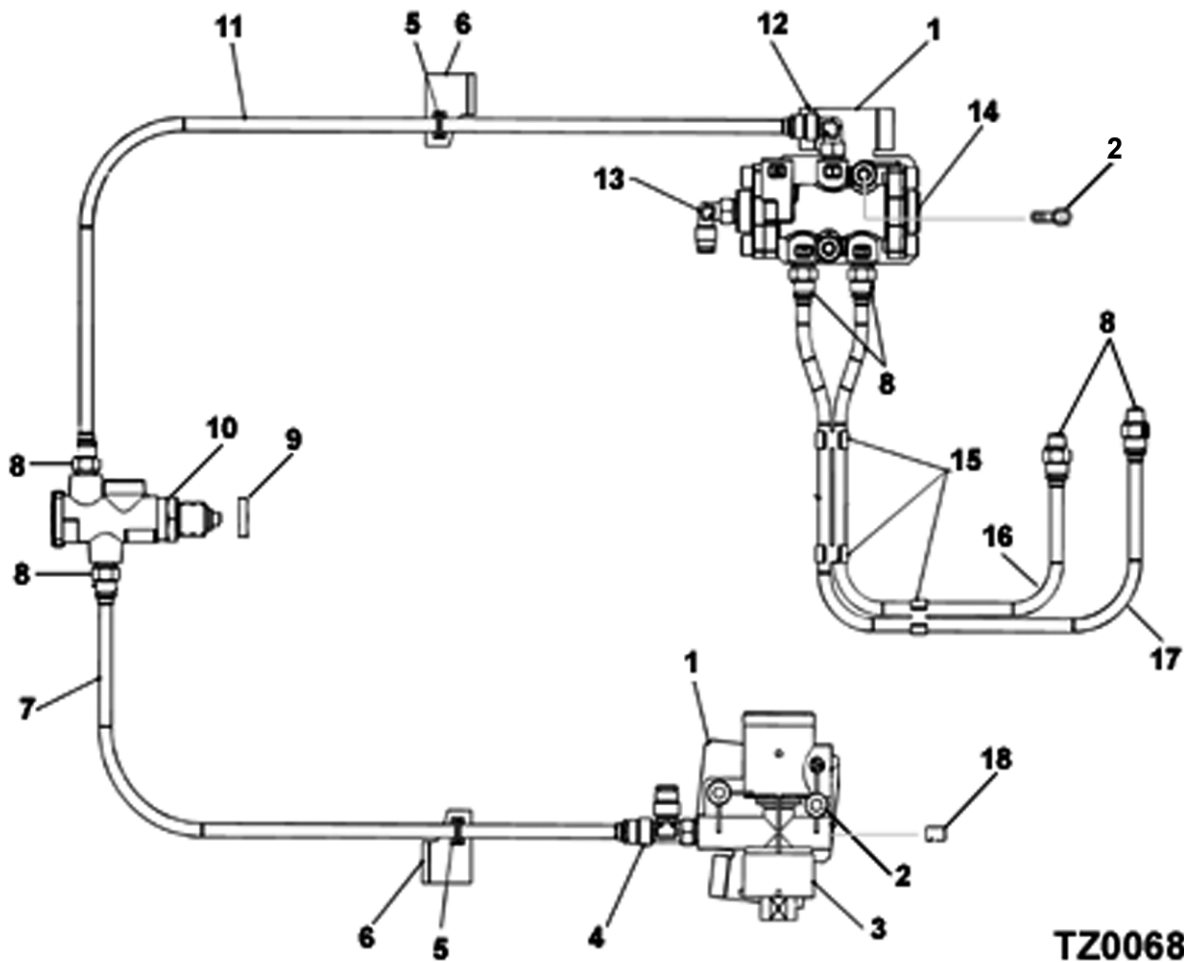


PU0146

**RANGE ASSY.**

Item	Current Part	Description	Replaced Part	Qty.	Notes	Kits/Assys Where Needed
1	8877323	SYNCHRO FLANGE		1		
2	X8870342	CIRCLIP		1		
3	8877442	SYNCHRO RING - RANGE		2		
4	8872626	HI-LO SHIFT ROD		1		
5	X8878665	DOWEL	X8870726	1		
6	8872737	HIGH/LOW SHIFT FORK	8872737,8883677	1		
7	8872680	ANNULUS		1		
8	X8875296	CIRCLIP		1		
9	8880522	SLIDING SLEEVE		1		
10	X8870341	CIRCLIP		1		

Item	Current Part	Description	Replaced Part	Qty.	Notes	Kits/Assys Where Needed
11	8875881	FIXED HUB		1		
12	8870444	SPRING COMPRESSION		9		
13	8870352	PLUNGER		9		
14	X8870355	ROLLER		9		
15	X8870844	BEARING		1		
16	X8870344	CIRCLIP		1		
17	GMX-8-0806	SCREW		3	M8X20	
18	8870848	RETAINER		3		
19	8875646	REACTION PLATE		1		
20	8877322	SYNCHRO FLANGE		1		
21	X8873993	CIRCLIP		1		
22	8870808	SPACER		1		

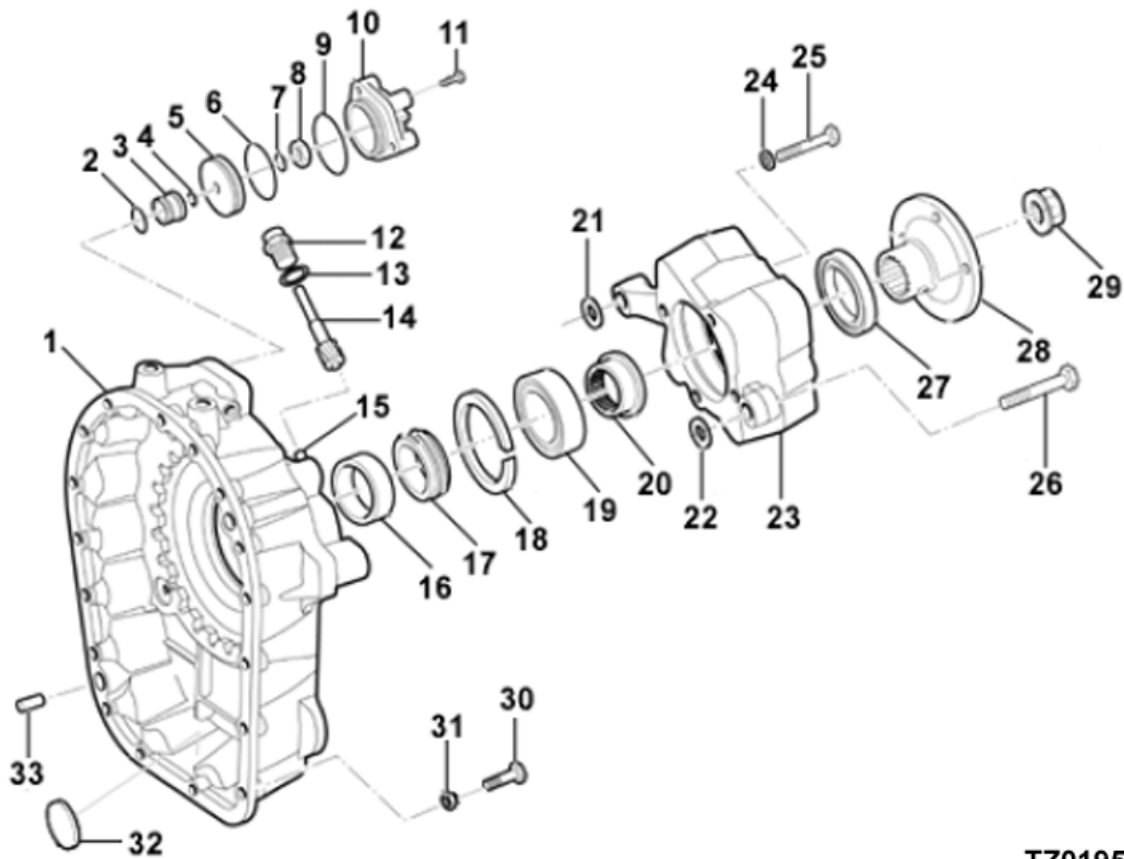


**TZ0068**

**RANGE CONTROL ASSY.**

Item	Current Part	Description	Replaced Part	Qty.	Notes	Kits/Assys Where Needed
0	U8881822	RANGE CONTROL ASSY.		1		
1	8880659	MOUNTING BRACKET		2		
2	X8880151	SCREW SPIRAL	GX8880151	4		
3	X8880109	FILTER REGULATOR		1		
4	U8881542	SWIVEL TEE ADAPTOR(BSP TO 6MM TUBE)		1		
5	X8882634	PIPE CLIP		2		
6	8882665	AIR PIPES		2		
7	U8880728	MOULDED PIPE ASSY.		1	REGULATOR TO POPPET VALVE	
8	X8881538	STRAIGHT ADAPTOR		6	6MM	

Item	Current Part	Description	Replaced Part	Qty.	Notes	Kits/Assys Where Needed
9	5568510	O-RING		1		
10	X8880054	3/2 POPPET VALVE		1		
11	X8881555	MOULDED PIPE		1	POPPET VALVE TO RANGE VALVE	
12	X8880846	ELBOW ARTICULATED		1		
13	X8881802	FIXED ELBOW ADAPTOR		1	90 DEG	
14	X8880843	4/2 AIR ACTUATING VALVE		1		
15	X8880545	PIPE CLIP - TWIN PIPE		3		
16	X8881557	MOULDED PIPE ASSY.		1	RANGE VALVE TO REAR CASE	
17	X8881556	MOULDED PIPE ASSY.		1	RANGE VALVE TO CYLINDER	
18	GX2013517	PIPE PLUG		1	1/8	



TZ0195

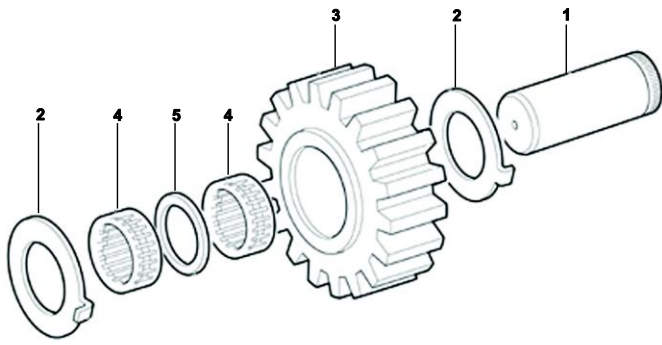
## REAR CASE ASSY.

Item	Current Part	Description	Replaced Part	Qty.	Notes	Kits/Assys Where Needed
0	U8880542	REAR CASE ASSY.		1		
1	8876071	REAR CASING		1		
2	X8875292	O-RING		1		
3	8878240	BUSH	8875293	1		
4	X8871258	O-RING		1	DIA.24,5	
5	8875179	PISTON RANGE CYLINDER		1		
6	14344	PISTON O RING		1		
7	14345	PISTON O RING		1		
8	GMX-9-1602	NUT		1	M16	
9	X8873008	O-RING		1		
10	8875430	CYLINDER-RANGE		1		
11	GMX-8-	BOLT		3	M10X55 HEX FLG HD	

Item	Current Part	Description	Replaced Part	Qty.	Notes	Kits/Assys Where Needed
	1094					
12	8873787	ADAPTOR		1		
13	X8880471	WASHER		1		
14	8874006	SPEEDO PINION		1		
15	7992	BUSH		1		
16	8877524	SPACER TACH0		1		
17	8877121	GEAR SPEEDO DRIVE 6TH		1		
18	U8877588	CIRCLIP PACK		1		
18	X8876632	CIRCLIP - 3.70 MM		1	PACK: U8877588	
18	X8876633	CIRCLIP-3.77 MM		1	PACK: U8877588	
18	X8876634	CIRCLIP-3.83 MM		1	PACK: U8877588	
18	X8876635	CIRCLIP-3.89 MM		1	PACK: U8877588	
18	X8876636	CIRCLIP-3.95 MM		1	PACK: U8877588	
19	X8872721	BEARING		1		
20	8877123	RING ABUTMENT		1		
21	F96497	SHIM-0.005		1		
22	F96498	SHIM-0.010		1		
23	8877426	MOUNTING BRACKET		1		
24	GMX-3-1202	WASHER SPRING		4		
25	GMX-8-1234	SCREW		4	M12 X 60 HEX HD	
26	GMX-8-1605	BOLT		2	M16 X 65 HEX FLG HD	
27	X8872722	OIL SEAL		1		
28	8880858	TRANSIT SLEEVE COUPLING FLANGE		1		
29	GX8870553	NUT		1		
30	GMX-8-10111	BOLT		3	M10X65 HEX FLG HD	
30	GMX-8-1080	BOLT		14	M10X58	
30	GMX-8-1094	BOLT		1	M10X55 HEX FLG HD	

Item	Current Part	Description	Replaced Part	Qty.	Notes	Kits/Assys Where Needed
31	GMX-9-1005	NUT		17	M10X1.5	
32	14373	DISC MAGNET		1		
33	X8870543	DOWEL		2	16,0 DI X 30,5	

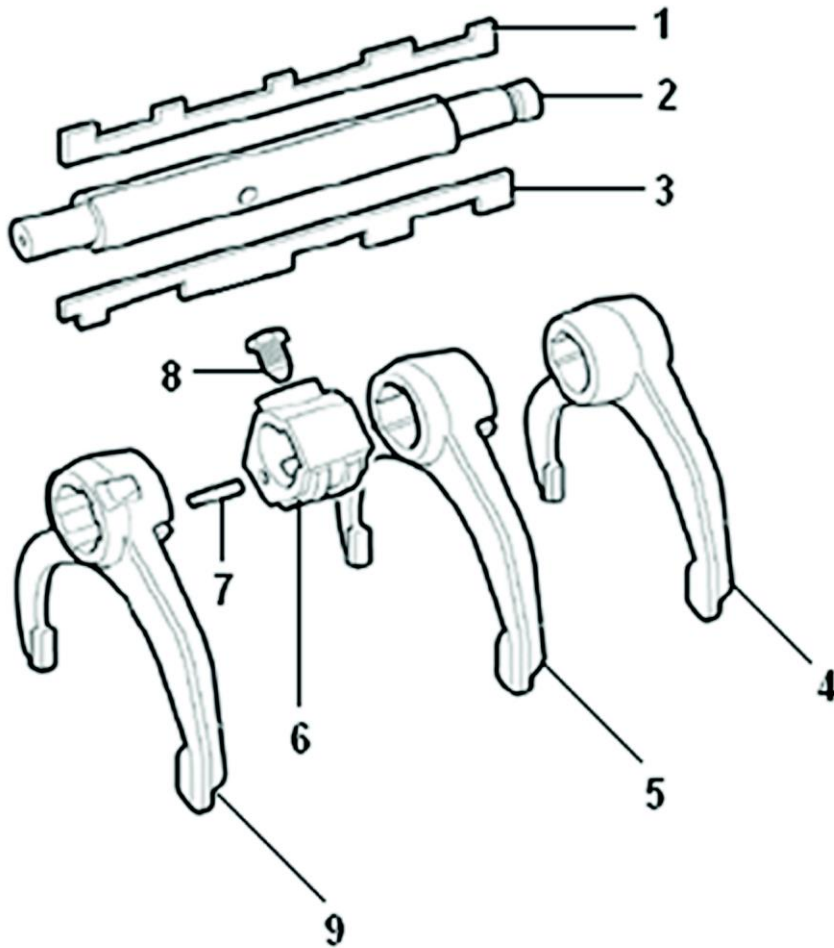




TZ0007

### REVERSE IDLER ASSY.

Item	Current Part	Description	Replaced Part	Qty.	Notes	Kits/Assys Where Needed
1	8883246	REVERSE IDLER SHAFT		1		
2	8870343	THRUST WASHER		2		
3	8876457	REVERSE IDLER GEAR		1		
4	X8872478	NEEDLE ROLLER BRG		2		
5	8872479	SPACER		1		



**PU0009**

**SELECTOR ASSY.**

Item	Current Part	Description	Replaced Part	Qty.	Notes	Kits/Assys Where Needed
0	U8875914	SELECTOR BLOCK		1	INCLUDES 8874754 & X8870277	
0	U8875941	SELECTOR ASSY.		1	COMPRISES ITEMS 1-9	
1	8872328	SELECTOR KEY		1		
2	8882443	SELECTOR SHAFT	8875827	1		
3	8880759	INTERLOCK KEY	8872327	1		
4	8875499	FORK CRAWLER/REVERSE		1		
5	8880760	FORK 1ST/2ND		1		
6	8874754	SELECTOR BLOCK		1		
7	X8870277	DOWEL		1		
8	8873691	SCREW		1	M10X23 HEX HD	
9	8875494	FORK 3RD/4TH		1		



Copyright Eaton Corporation, 2009.  
Eaton hereby grants their customers,  
vendors, or distributors permission to  
freely copy, reproduce and/or distribute  
this document in printed format. It may  
be copied only in its entirety without  
any changes or modifications. THIS  
INFORMATION IS NOT INTENDED FOR  
SALE OR RESALE, AND THIS NOTICE  
MUST REMAIN ON ALL COPIES.

