



Powering Business Worldwide

Illustrated Parts List

Y06383

November 2015

Contents

| | |
|---|----|
| How To Use The Illustrated Parts List | 3 |
| FRONT BEARING COVER ASSY. | 4 |
| FRONT CASE ASSY..... | 5 |
| INPUT SHAFT ASSEMBLY..... | 7 |
| INTEGRATED RANGE CONTROL ASSY. | 8 |
| INTEMEDIANTE CASE ASSY..... | 10 |
| LAYSHAFT ASSY. | 12 |
| LRC ASSEMBLY | 14 |
| MAINSHAFT ASSY..... | 16 |
| PLANET GEAR SPINDLE ASSY | 19 |
| RANGE ASSY..... | 20 |
| REAR CASE ASSY. | 22 |
| REVERSE IDLER SHAFT..... | 24 |
| SELECTOR ASSY. O/D | 25 |

How To Use The Illustrated Parts List

The information contained in this document is subject to frequent updates. Therefore, for the latest information available, please visit the interactive Electronic Parts Catalog at <http://www.eaton.com/EatonCom/TruckEurope/TruckEurope/index.htm>

Model Designation and Nomenclature

- For information regarding Model Designation and Nomenclature, visit <http://www.eaton.com/EatonCom/TruckEurope/TruckEurope/index.htm>

Kits and Assemblies (K/A's)

- Kits or Assemblies contain groups of individual or assembled parts specially developed for optimal replacement during repair.
- Kits and Assemblies are shown with applicable parts groupings in the parts listings.

Identifying Kits and Assemblies

A- Part numbers beginning with the letter 'A' are pre-assembled Production Assemblies

K- Part numbers beginning with the letter 'K' are kits that are not assembled

T - Part numbers beginning with the letter 'T' are kits that are not assembled

S- Part numbers beginning with the letter 'S' are pre-assembled Service Assemblies

- Note: Some Production Assemblies do not begin with a letter prefix (Midrange only).

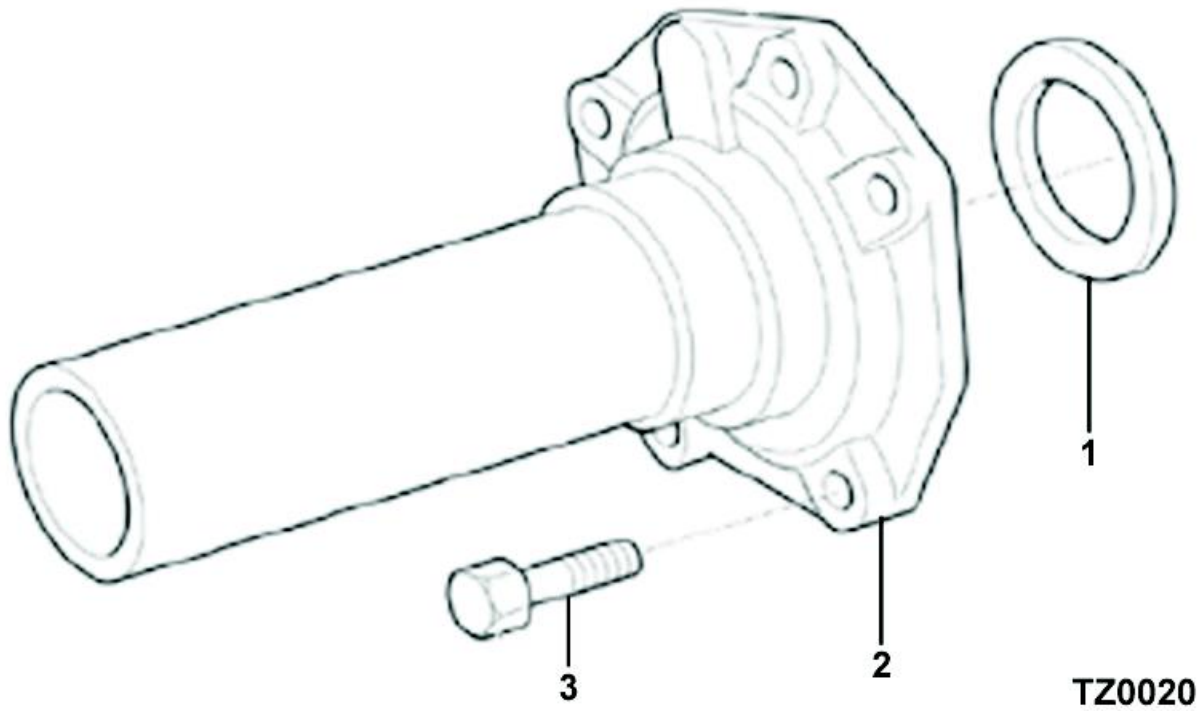
Illustrations

- Illustrations show parts in assembly groups.
- Item numbers on illustrations correspond with parts listings adjacent to the illustration.(on the same or adjacent page)
- Notes are included on illustrations where additional information is needed.

Parts Listing

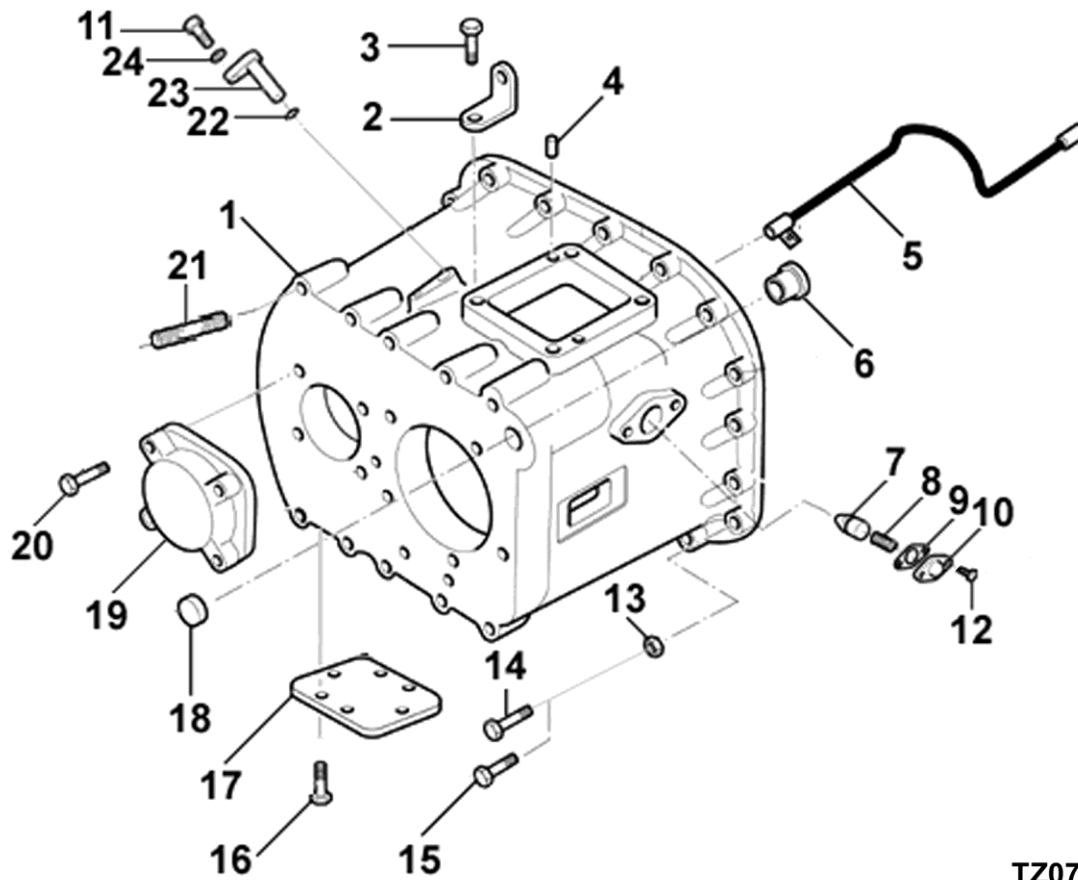
Parts listings are defined by parts groupings and are broken down by service assemblies. Parts listings identify a part for servicing with the following categories

- **ITEM** - Number corresponds to number on illustration for part identification.
- **CURRENT PART** - part number of the part available for service.
- **DESCRIPTION** - part name or description.
- **REPLACED PART** - number of replaced part.
- **QTY** - Quantity required for assembly.
- **NOTES** - unique characteristics or requirements.
- **KITS / ASSYS WHERE NEEDED** - kits or assemblies that contain the part.



FRONT BEARING COVER ASSY.

| Item | Current Part | Description | Replaced Part | Qty. | Notes | Kits/Assys Where Needed |
|------|--------------|---------------------------|---------------|------|-------------------|-------------------------|
| 0 | U8877990 | FRONT BEARING COVER ASSY. | | 1 | 58 X 190 | |
| 1 | X8870760 | OIL SEAL | | 1 | | |
| 2 | 8877989 | FRONT BEARING COVER | | 1 | 57 X 190 | |
| 3 | GMX-8-1089 | SCREW | | 5 | M10X25 HEX FLG HD | |

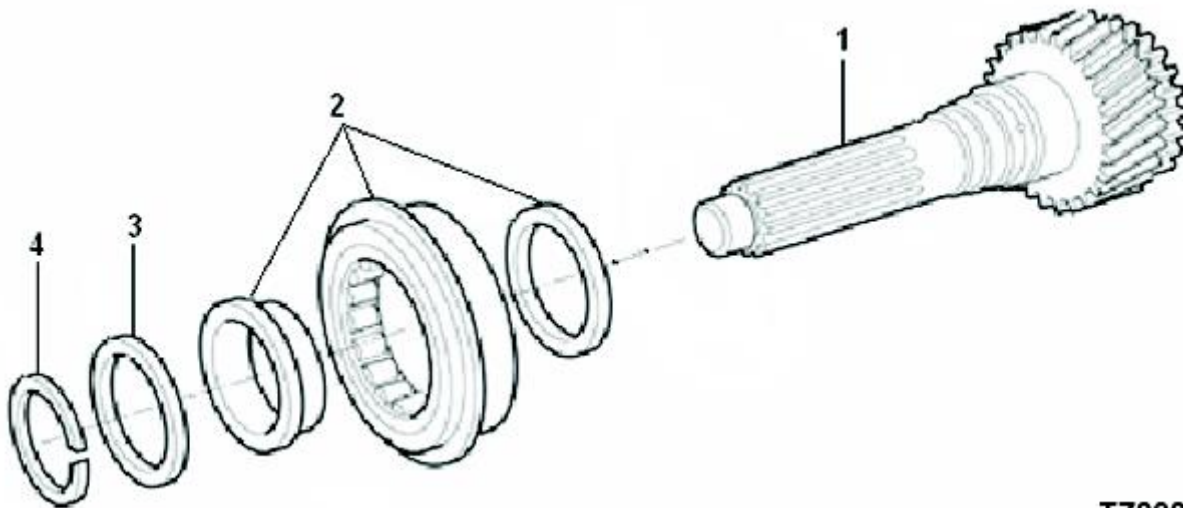


TZ0774

FRONT CASE ASSY.

| Item | Current Part | Description | Replaced Part | Qty. | Notes | Kits/Assys Where Needed |
|------|--------------|---------------------|---------------|------|-------------------------|-------------------------|
| 0 | U8882407 | FRONT CASE ASSY. | | 1 | | |
| 1 | 8882410 | FRONT CASE | | 1 | | |
| 2 | GX8879212 | LIFTING EYE | | 1 | 15 MM | |
| 3 | GMX-8-1091 | SCREW | | 4 | M10X30 HEX FLG HD | |
| 4 | X8870542 | DOWEL | | 2 | 8,0 DIA X 16 | |
| 5 | U8880098 | OIL SPRAY BAR ASSY. | | 1 | | |
| 6 | 8883756 | BUSH | 8882415 | 1 | FOR MAIN SELECTOR SHAFT | |
| 7 | 8873654 | PLUNGER-NEUTRAL | | 1 | | |
| 8 | 8874819 | DETENT SPRING | | 1 | | |
| 9 | 8870590 | GASKET | | 1 | | |
| 10 | GX8870259 | DETENT COVER | | 1 | | |
| 11 | GMX-8-0811 | SCREW | | 2 | M8X20 | |

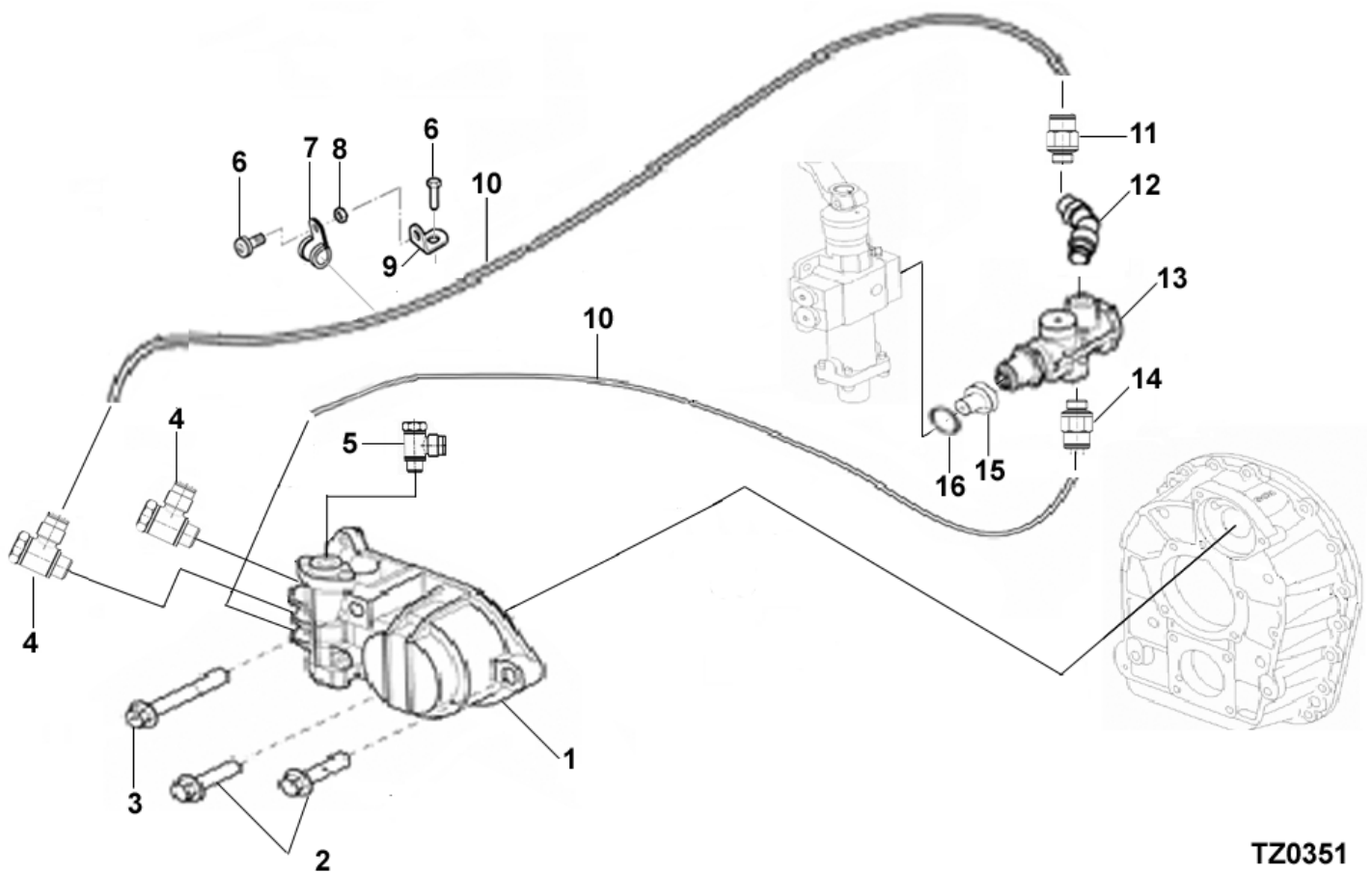
| Item | Current Part | Description | Replaced Part | Qty. | Notes | Kits/Assys Where Needed |
|------|--------------|---------------------------|---------------|------|--------------------|-------------------------|
| 12 | GMX-8-0819 | SCREW | GMX-8-0801 | 2 | M8 X 16 | |
| 13 | GMX-9-1005 | NUT | | 13 | M10X1.5 | |
| 14 | GMX-8-1080 | BOLT | | 13 | M10X58 | |
| 15 | GMX-8-1079 | BOLT | | 5 | M10X40 | |
| 16 | GMX-8-1088 | SCREW | | 6 | M12X25 HEX FLG HD | |
| 17 | 8881616 | PTO PROVISION COVER | | 1 | | |
| 18 | GX8870278 | CUP PLUG | | 1 | | |
| 19 | GX8880554 | BEARING COVER LAYSHAFT | | 1 | | |
| 20 | GMX-8-1240 | SCREW | | 4 | M12X25 HEX FLG HD | |
| 21 | GX8882510 | STUD | | 10 | M12 X 80 LONG | |
| 21 | GX8882511 | STUD | | 2 | M12 X 70.5 LONG | |
| 22 | X8877743 | O-RING | | 2 | 11.1 1D X 1 .6 DIA | |
| 23 | GX8872917 | ROTATION PIN O/D FORK | | 2 | | |
| 24 | GMX-3-0801 | WASHER SPRING | | 2 | M8 | |



TZ0003

INPUT SHAFT ASSEMBLY

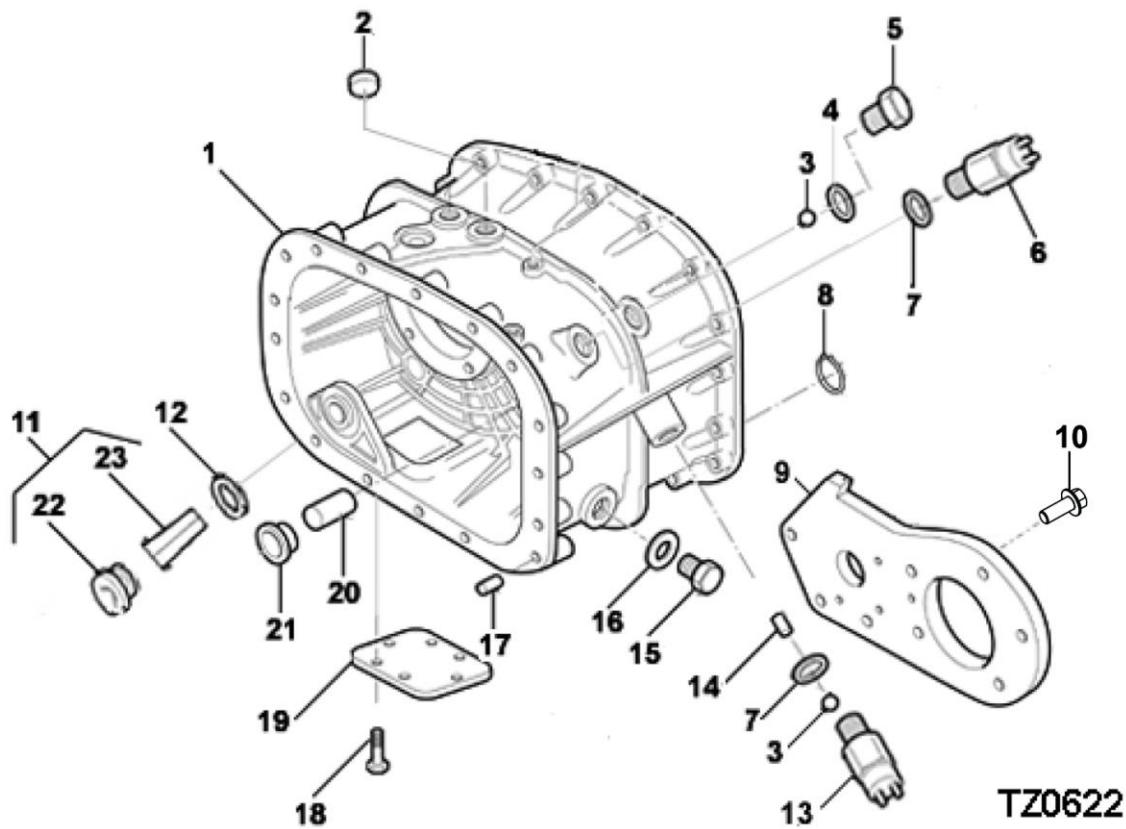
| Item | Current Part | Description | Replaced Part | Qty. | Notes | Kits/Assys Where Needed |
|------|--------------|----------------------|---------------|------|----------------|-------------------------|
| 0 | U8882056 | INPUT SHAFT ASSEMBLY | | 1 | | |
| 1 | 8882055 | INPUT SHAFT | | 1 | | |
| 2 | X8872593 | INPUT SHAFT BEARING | | 1 | | |
| 3 | 8877692 | SPACER - GRADED 3.10 | | 1 | PACK: U8877691 | |
| 3 | 8877693 | SPACER - GRADED 3.15 | | 1 | PACK: U8877691 | |
| 3 | 8877694 | SPACER - GRADED 3.20 | | 1 | PACK: U8877691 | |
| 3 | 8877695 | SPACER - GRADED 3.25 | | 1 | PACK: U8877691 | |
| 3 | 8877696 | SPACER - GRADED 3.30 | | 1 | PACK: U8877691 | |
| 3 | 8877697 | SPACER - GRADED 3.35 | | 1 | PACK: U8877691 | |
| 3 | 8877698 | SPACER - GRADED 3.40 | | 1 | PACK: U8877691 | |
| 3 | 8877699 | SPACER - GRADED 3.45 | | 1 | PACK: U8877691 | |
| 3 | 8877700 | SPACER - GRADED 3.50 | | 1 | PACK: U8877691 | |
| 3 | U8877691 | SPACER - GRADED PACK | | 1 | | |
| 4 | X8877706 | CIRCLIP | | 1 | | |



INTEGRATED RANGE CONTROL ASSY.

| Item | Current Part | Description | Replaced Part | Qty. | Notes | Kits/Assys Where Needed |
|------|--------------|--------------------------------|---------------|------|---------------------|-------------------------|
| 0 | U8882399 | INTEGRATED RANGE CONTROL ASSY. | | 1 | | |
| 1 | X8882281 | INTEGRATED AIR VALVE PNEUMATIC | | 1 | | |
| 2 | GMX-8-1047 | SCREW | | 2 | M10 X 35 HEX.FLG.HD | |
| 3 | GMX-8-1087 | BOLT | | 1 | M10 X 70 | |
| 4 | U8883024 | BANJO ADAPTOR | | 2 | G1/8 TO 4MM TUBE | |
| 5 | U8883020 | BANJO ADAPTOR | | 1 | G1/4 TO 8MM TUBE | |
| 6 | GMX-8-1088 | SCREW | | 5 | M12X25 HEX FLG HD | |
| 7 | 8876407 | CLAMP HOSE | | 3 | | |
| 8 | GMX-9-1005 | NUT | | 3 | M10X1.5 | |
| 9 | GX8879212 | LIFTING EYE | | 3 | 15 MM | |

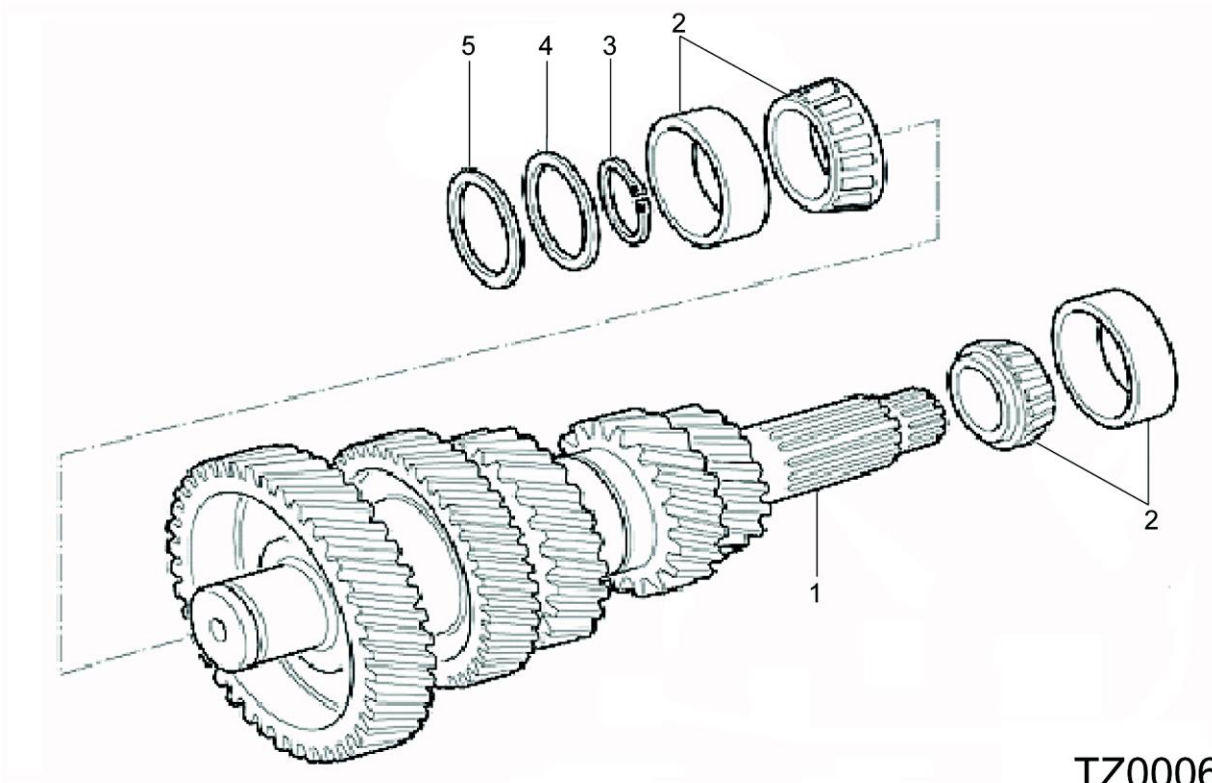
| Item | Current Part | Description | Replaced Part | Qty. | Notes | Kits/Assys Where Needed |
|------|--------------|--------------------------------------|---------------|------|-------------------|-------------------------|
| 10 | X8881590 | NYLON TUBE | | 2 | 4MM | |
| 11 | X8881541 | STRAIGHT ADAPTOR | | 1 | 6 MM TO 4 MM TUBE | |
| 12 | X8881544 | SWIVEL ELBOW ADAPTOR 45 DEG | | 1 | | |
| 13 | X8880054 | 3/2 POPPET VALVE | | 1 | | |
| 14 | X8881551 | STRAIGHT ADAPTOR(BSP TO 4MM TUBE) | | 1 | | |
| 15 | 8882784 | BUSH ADAPTOR | | 1 | | |
| 16 | 5568510 | O-RING | | 1 | | |



INTEMEDIATE CASE ASSY.

| Item | Current Part | Description | Replaced Part | Qty. | Notes | Kits/Assys Where Needed |
|------|--------------|----------------------------------|---------------|------|--|-------------------------|
| 0 | T21228 | SERVICE KIT OIL STRAINER/ WASHER | | 1 | INCLUDES 8876351, GX8876352 & X8880469 | |
| 0 | U8877495 | INTERMEDIATE CASE ASSY. | | 1 | | |
| 1 | 8877486 | INTERMEDIATE CASE | | 1 | | |
| 2 | 8876744 | CORE PLUG OIL RESTRICTOR | | 1 | | |
| 3 | X8870711 | BALL | | 1 | DIA.14 | |
| 4 | 5568510 | O-RING | | 1 | | |
| 5 | GX8871502 | PLUG | | 1 | M16 | |
| 6 | GX2771532 | SWITCH REVERSE / RANGE | | 1 | | |
| 7 | 5568510 | O-RING | | 2 | | |
| 8 | X8881424 | CIRCLIP | | 1 | | |
| 9 | U8883824 | OIL PUMP ASSY. | GU8875469 | 1 | | |
| 10 | GMX-8-1089 | SCREW | | 8 | M10X25 HEX FLG HD | |

| Item | Current Part | Description | Replaced Part | Qty. | Notes | Kits/Assys Where Needed |
|------|--------------|-----------------------------|---------------|------|-------------------------|-------------------------|
| 11 | U8876353 | OIL STRAINER ASSY. | | 1 | | T21228 |
| 12 | X8880469 | WASHER-OIL STRAINER / DRAIN | | 1 | | T21228 |
| 13 | GX2771532 | SWITCH REVERSE / RANGE | | 1 | | |
| 14 | 8875267 | PIN INTERLOCK | | 1 | | |
| 15 | GX8874942 | OIL FILLER PLUG | | 1 | | |
| 16 | X8880519 | WASHER-FILL/DRAIN FL | | 1 | | |
| 17 | X8870543 | DOWEL | | 2 | 16,0 DI X 30,5 | |
| 18 | GMX-8-1088 | SCREW | | 6 | M12X25 HEX FLG HD | |
| 19 | 8881616 | PTO PROVISION COVER | | 1 | | |
| 20 | X8871377 | BUSH | | 1 | | |
| 21 | 8883756 | BUSH | 8882415 | 1 | FOR MAIN SELECTOR SHAFT | |
| 22 | GX8876352 | PLUG OIL STRAINER | | 1 | | |
| 23 | 8876351 | STRAINER-OIL | | 1 | | |

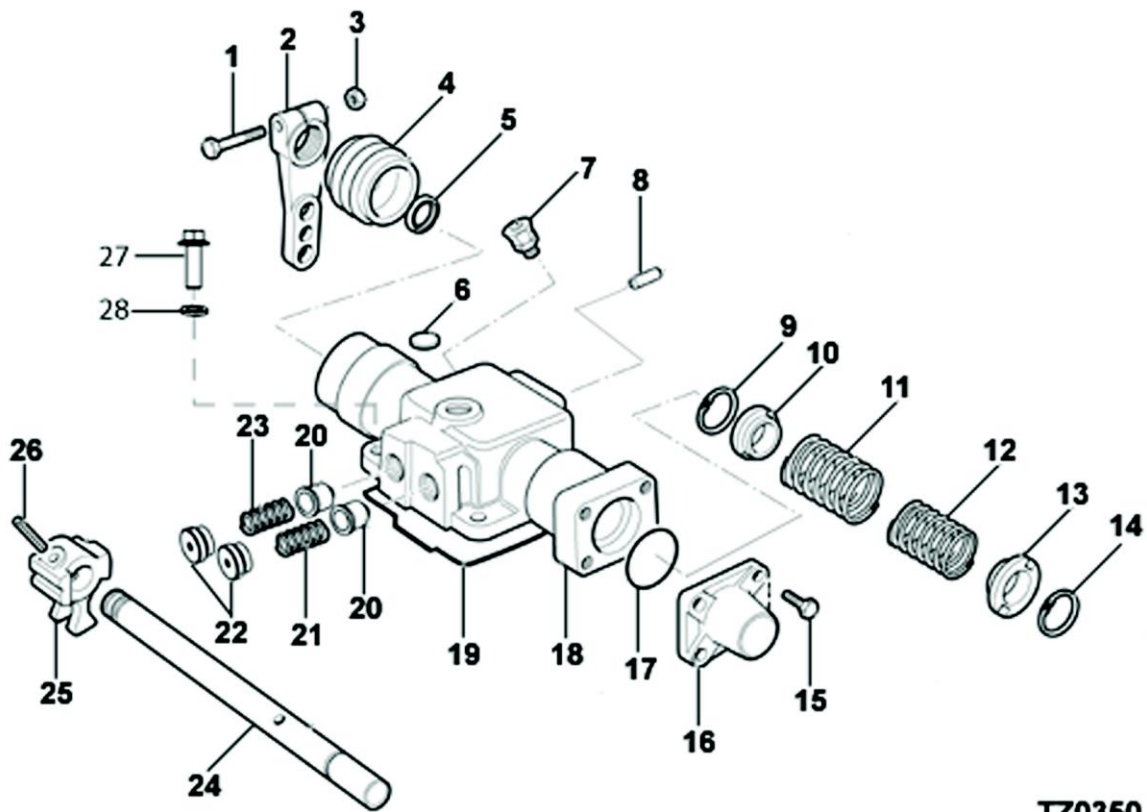


TZ0006

LAYSHAFT ASSY.

| Item | Current Part | Description | Replaced Part | Qty. | Notes | Kits/Assys Where Needed |
|------|--------------|-----------------------------|---------------|------|-------|-------------------------|
| 1 | U8881653 | LAYSHAFT ASSY. O/D | | 1 | | |
| 2 | X8875587 | BEARING ASSEMBLY | | 2 | | |
| 3 | U8877534 | CIRCLIP GRADED PACK | | 1 | | |
| 3 | X8870370 | GR.C/CLIP 40 DIA. X 2.12 MM | | 1 | | |
| 3 | X8870371 | GR.C/CLIP 40 DIA. X 2.07 MM | | 1 | | |
| 3 | X8870372 | GR.C/CLIP 40 DIA X 2.02 MM | | 1 | | |
| 3 | X8871536 | GR.C/CLIP 40 DIA. X 1.97 MM | | 1 | | |
| 3 | X8871537 | GR.C/CLIP 40 DIA. X 1.92 MM | | 1 | | |
| 3 | X8871538 | GR.C/CLIP 40 DIA. X 1.87 MM | | 1 | | |
| 3 | X8871539 | GR.C/CLIP 40 DIA. X 1.82 MM | | 1 | | |
| 3 | X8871540 | GR.C/CLIP 40 DIA. X 1.77 MM | | 1 | | |

| Item | Current Part | Description | Replaced Part | Qty. | Notes | Kits/Assys Where Needed |
|------|--------------|-------------|---------------|------|---------|-------------------------|
| 4 | F88891 | SHIM | | 1 | S=0,051 | |
| 4 | F88892 | SHIM | | 1 | S=0,127 | |
| 4 | F88893 | SHIM | | 1 | S=0,254 | |
| 4 | F88894 | SHIM | | 1 | S=0,508 | |
| 4 | U8877535 | SHIM PACK | | 1 | | |
| 4 | X8882272 | SHIM | | 1 | S=1,200 | |
| 5 | 8875879 | SPACER | | 1 | | |

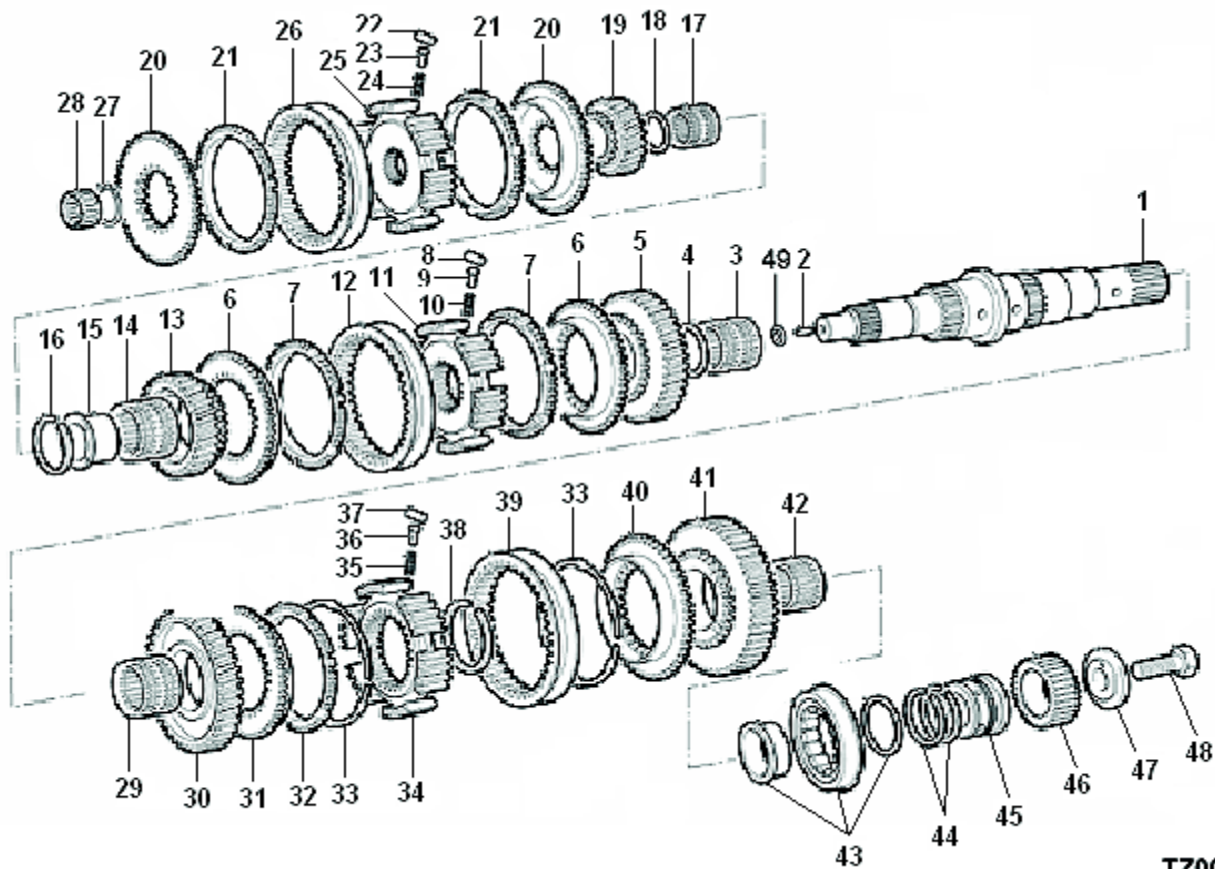


TZ0350

LRC ASSEMBLY

| Item | Current Part | Description | Replaced Part | Qty. | Notes | Kits/Assys Where Needed |
|------|--------------|-------------------------|---------------|------|---------|-------------------------|
| 0 | U8880983 | LRC ASSY. LH HH | | 1 | | |
| 1 | GMX-8-1007 | BOLT | | 1 | M10X50 | |
| 2 | GX8882499 | OUTER LEVER | | 1 | | |
| 3 | GMX-9-1005 | NUT | | 1 | M10X1.5 | |
| 4 | X8875259 | BOOT | | 1 | | |
| 5 | X8881481 | OIL SEAL | | 1 | | |
| 6 | X2014210 | BREATHER | | 1 | | |
| 7 | GX8871486 | EXPANSION PLUG | | 1 | | |
| 8 | 8880944 | PIN REVERSE GATE SWITCH | | 1 | | |
| 9 | X8874450 | CIRCLIP | | 1 | 25.DIA | |
| 10 | 8876566 | SPRING RETAINER-BOOSTER | | 1 | | |
| 11 | 8876344 | SPRING COMPRESSION | | 1 | | |

| Item | Current Part | Description | Replaced Part | Qty. | Notes | Kits/Assys Where Needed |
|------|--------------|--------------------------|---------------|------|-------------------|-------------------------|
| 12 | 8873735 | SPRING COMPRESSION | | 1 | | |
| 13 | 8876567 | SPRING RETAINER-BIAS | | 1 | | |
| 14 | X8874450 | CIRCLIP | | 1 | 25.DIA | |
| 15 | GMX-8-0847 | SCREW | | 4 | | |
| 16 | 8880477 | END CAP | | 1 | | |
| 17 | X8880639 | O-RING | | 1 | | |
| 18 | U8880247 | LRC SUB ASSY. LH | | 1 | | |
| 19 | 8880638 | SEAL | | 1 | | |
| 19 | 8882474 | SPACER | | 1 | | |
| 20 | 8880986 | DETENT PLUNGER | | 2 | | |
| 21 | 8881592 | SPRING-REVERSE DETENT | | 1 | | |
| 22 | GX8880301 | PLUG DETENT | | 2 | | |
| 23 | 8881594 | SPRING RANGE DETENT | | 1 | | |
| 24 | 8880285 | SHIFT ROD LH SELECTOR | | 1 | | |
| 25 | 8880298 | INNER STRIKING LEVER | | 1 | | |
| 26 | X8871378 | DOWEL | | 1 | 10,0 DIA X 44 | |
| 27 | GMX-8-1091 | SCREW | | 4 | M10X30 HEX FLG HD | |
| 28 | GMX-3-1001 | SPRING WASHER | | 4 | M10 | |



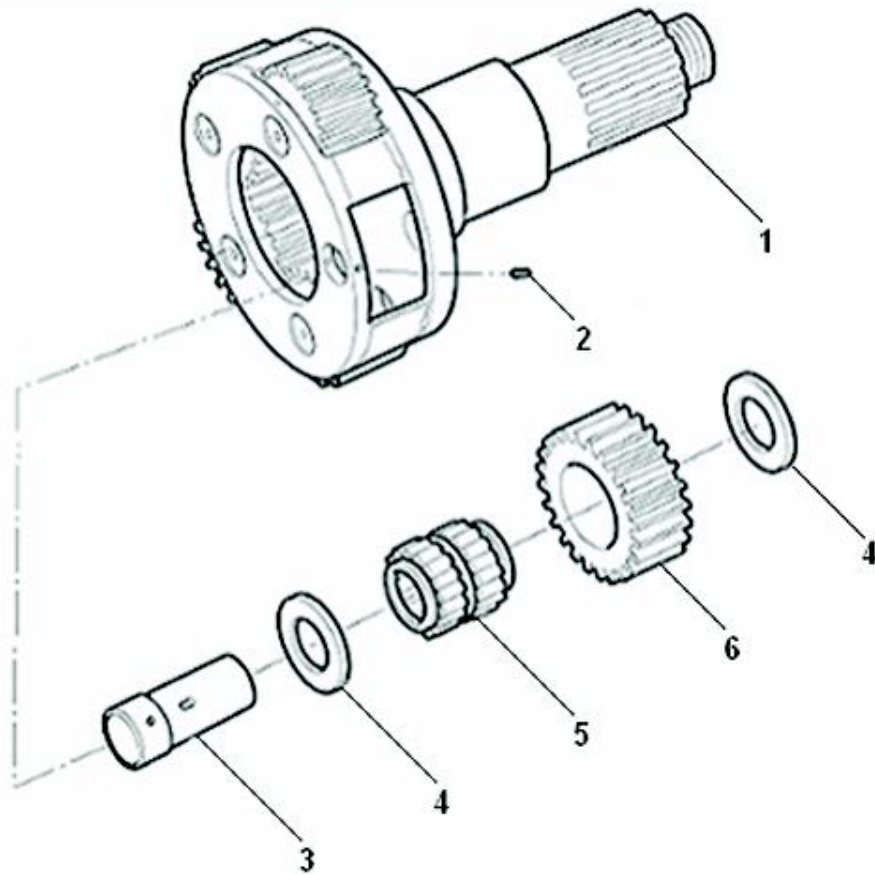
TZ0044

MAINSHAFT ASSY.

| Item | Current Part | Description | Replaced Part | Qty. | Notes | Kits/Assys Where Needed |
|------|--------------|-------------------------|---------------|------|----------------|-------------------------|
| 0 | U8883002 | MAINSHAFT ASSY. | | 1 | | |
| 1 | U8877186V | MAINSHAFT SUB ASSY. | U8877186 | 1 | | |
| 2 | X14851 | DOWEL | | 1 | 5/16 DI X 1.50 | |
| 3 | X8870177 | NEEDLE ROLLER BRG. ASSY | | 1 | | |
| 4 | 8872589 | GEAR SPACER 1ST | | 1 | | |
| 5 | 8876948 | GEAR MAINSHAFT 1ST | | 1 | | |
| 6 | 8877321 | SYNCHRO FLANGE 1/2/3/4 | | 2 | | |
| 7 | 8883044 | RING SYNCHRO 1ST/2ND | 8882682 | 2 | | |
| 8 | X8870356 | ROLLER | | 3 | | |
| 9 | 8870352 | PLUNGER | | 3 | | |
| 10 | 8870444 | SPRING COMPRESSION | | 3 | | |
| 11 | 8875571 | HUB-FIXED, 1ST/2ND | | 1 | | |

| Item | Current Part | Description | Replaced Part | Qty. | Notes | Kits/Assys Where Needed |
|------|--------------|------------------------------------|---------------|------|----------------|-------------------------|
| 12 | 8880460 | SLIDING SLEEVE | | 1 | | |
| 13 | 8872582 | GEAR MAINSHAFT 2ND | | 1 | | |
| 14 | X8870177 | NEEDLE ROLLER BRG. ASSY | | 1 | | |
| 15 | 8882868 | SLEEVE MAINSHAFT BEARING | | 1 | | |
| 16 | U8882558 | GRADED CIRCLIP PACK | | 1 | | |
| 16 | X8870534 | GR.CIRCLIP 46 DIA. X 2.10 MM | | 1 | PACK: U8882558 | |
| 16 | X8870535 | GR.CIRCLIP 46 DIA. X 2.05 MM | | 1 | PACK: U8882558 | |
| 16 | X8870536 | GR.CIRCLIP 46 DIA. X 2.00 MM | | 1 | PACK: U8882558 | |
| 16 | X8883040 | CIRCLIP GRADED 46 DIA X2.15 MM | | 1 | PACK: U8882558 | |
| 16 | X8883041 | CIRCLIP GRADED 46 DIA X 2.20 MM | | 1 | PACK: U8882558 | |
| 17 | X8870180 | NEEDLE BEARING | | 1 | | |
| 18 | 8872588 | GEAR SPACER 4TH | | 1 | | |
| 19 | 8882507 | GEAR MAINSHAFT 3RD | | 1 | | |
| 20 | 8877321 | SYNCHRO FLANGE 1/2/3/4 | | 2 | | |
| 21 | 8883044 | RING SYNCHRO 1ST/2ND | 8882682 | 2 | | |
| 22 | X8870356 | ROLLER | | 3 | | |
| 23 | 8870352 | PLUNGER | | 3 | | |
| 24 | 8870444 | SPRING COMPRESSION | | 3 | | |
| 25 | 8875554 | FIXED HUB 3RD/4TH | | 1 | | |
| 26 | 8880460 | SLIDING SLEEVE | | 1 | | |
| 27 | U8877531 | GRADED CIRCLIP PACK | | 1 | | |
| 27 | X8870370 | GR.C/CLIP 40 DIA. X 2.12 MM | | 1 | | |
| 27 | X8870371 | GR.C/CLIP 40 DIA. X 2.07 MM | | 1 | | |
| 27 | X8870372 | GR.C/CLIP 40 DIA X 2.02 MM | | 1 | | |
| 28 | X8870305 | NEEDLE BRG.ROLLER ASSY | | 1 | | |
| 29 | X8870177 | NEEDLE ROLLER BRG. ASSY | | 1 | | |

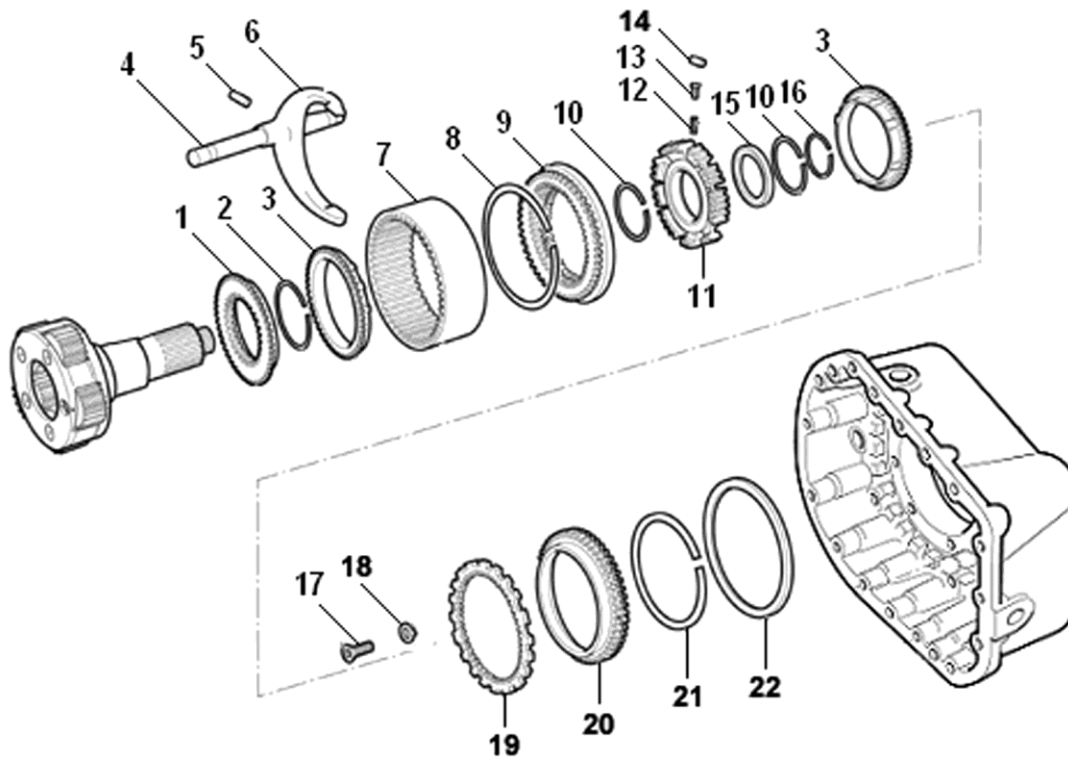
| Item | Current Part | Description | Replaced Part | Qty. | Notes | Kits/Assys Where Needed |
|------|--------------|--------------------------------|---------------|------|---------------|-------------------------|
| 30 | 8876477 | GEAR MAINSHAFT CRAWLER | 8873894 | 1 | | |
| 31 | 8877316 | SYNCHRO FLANGE | | 1 | | |
| 32 | 8877313 | SYNCHRO RING | | 1 | | |
| 33 | X8873994 | CIRCLIP SYNCHRO. ASSY. | | 1 | | |
| 34 | 8875604 | FIXED HUB REVERSE/CRAWLER | | 1 | | |
| 35 | 8870444 | SPRING COMPRESSION | | 3 | | |
| 36 | 8870352 | PLUNGER | | 3 | | |
| 37 | X8870356 | ROLLER | | 3 | | |
| 38 | U8877532 | GRADED CIRCLIP PACK | | 1 | | |
| 38 | X8870378 | CIRCLIP-GR.DIA.60 X 2.10 MM | | 1 | | |
| 38 | X8870379 | CIRCLIP-GR.DIA.60 X 2.05 MM | | 1 | | |
| 38 | X8870380 | CIRCLIP-GR.DIA.60 X 2.00 MM | | 1 | | |
| 39 | 8880461 | SLIDING SLEEVE | | 1 | | |
| 40 | 8870415 | SYNCHRO FLANGE REVERSE | | 1 | | |
| 41 | 8872585 | GEAR MAINSHAFT REVERSE | | 1 | | |
| 42 | X8870178 | NEEDLE ROLLER BRG. ASSY | | 1 | | |
| 43 | X8877164 | BEARING REAR MAINSHAFT | | 1 | | |
| 44 | X8875532 | SEALING RING | | 2 | | |
| 45 | 8877115 | OIL MUFF | | 1 | | |
| 46 | 8881203 | SUN GEAR | | 1 | | |
| 47 | 8880594 | RETAINER | | 1 | | |
| 48 | GX8870699 | SCREW | | 1 | M16X45 HEX HD | |
| 49 | 8876298 | RESTRICTOR | | 1 | | |



TZ0008

PLANET GEAR SPINDLE ASSY

| Item | Current Part | Description | Replaced Part | Qty. | Notes | Kits/Assys Where Needed |
|------|--------------|-----------------------------|---------------|------|--------------------|-------------------------|
| 0 | U8880229 | PLANET GEAR SPINDLE ASSY | | 1 | | |
| 1 | U8882529 | OUTPUT SHAFT ASSY. | | 1 | | |
| 2 | MX-11-0601 | SCREW | | 5 | M6 X 10 SKT HD SET | |
| 3 | 8876972 | SPINDLE PLANET GEAR | | 5 | | |
| 4 | 8876893 | WASHER | | 10 | | |
| 5 | U8876969 | NEEDLE ROLL BRG. ASSY. PCK. | | 5 | | |
| 6 | 8881523 | GEAR PLANET | | 5 | | |

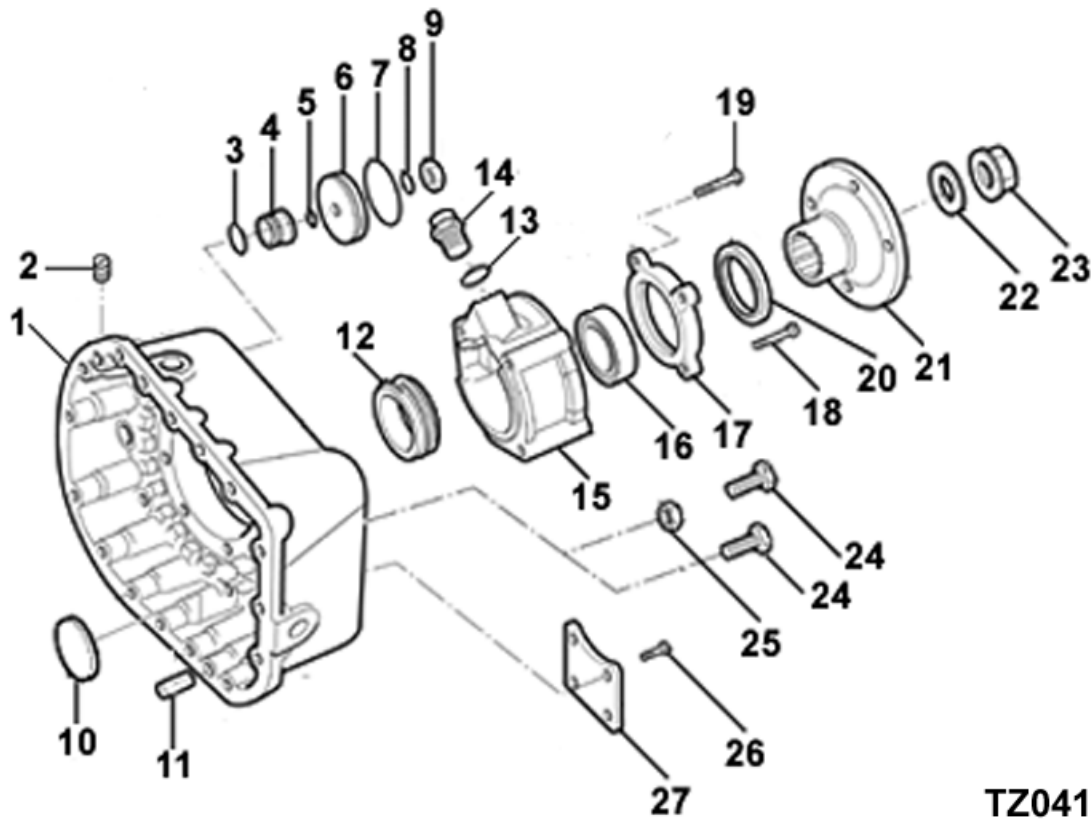


TZ0033

RANGE ASSY.

| Item | Current Part | Description | Replaced Part | Qty. | Notes | Kits/Assys Where Needed |
|------|--------------|----------------------|-----------------|------|-------------|-------------------------|
| 0 | U8883422 | RANGE ASSY. | | 1 | | |
| 1 | 8877323 | SYNCHRO FLANGE | | 1 | | |
| 2 | X8870342 | CIRCLIP | | 1 | | |
| 3 | 8877442 | SYNCHRO RING - RANGE | | 2 | | |
| 4 | 8872626 | HI-LO SHIFT ROD | | 1 | | |
| 5 | X8878665 | DOWEL | X8870726 | 1 | ECO-0015293 | |
| 6 | 8872737 | HIGH/LOW SHIFT FORK | 8872737,8883677 | 1 | | |
| 7 | 8880231 | ANNULUS | | 1 | | |
| 8 | X8875296 | CIRCLIP | | 1 | | |
| 9 | 8883372 | SLIDING SLEEVE | | 1 | | |
| 10 | X8870341 | CIRCLIP | | 1 | | |
| 11 | 8875881 | FIXED HUB | | 1 | | |
| 12 | 8870444 | SPRING COMPRESSION | | 9 | | |
| 13 | 8870352 | PLUNGER | | 9 | | |
| 14 | X8870355 | ROLLER | | 9 | | |

| Item | Current Part | Description | Replaced Part | Qty. | Notes | Kits/Assys Where Needed |
|------|--------------|----------------|---------------|------|-------|-------------------------|
| 15 | X8870844 | BEARING | | 1 | | |
| 16 | X8870344 | CIRCLIP | | 1 | | |
| 17 | GMX-8-0806 | SCREW | | 3 | M8X20 | |
| 18 | 8870848 | RETAINER | | 3 | | |
| 19 | 8875646 | REACTION PLATE | | 1 | | |
| 20 | 8877322 | SYNCHRO FLANGE | | 1 | | |
| 21 | X8873993 | CIRCLIP | | 1 | | |
| 22 | 8870808 | SPACER | | 1 | | |

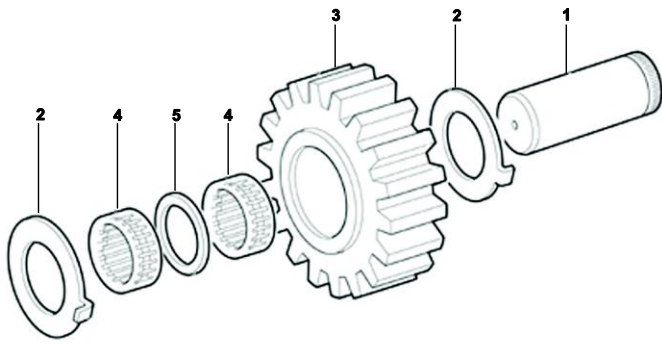


TZ0415

REAR CASE ASSY.

| Item | Current Part | Description | Replaced Part | Qty. | Notes | Kits/Assys Where Needed |
|------|--------------|-----------------------|---------------|------|----------------|-------------------------|
| 0 | ZU8882288 | REAR CASE ASSY. | | 1 | | |
| 1 | 8874367 | REAR CASING | | 1 | | |
| 2 | GMX-8-0857 | PLUG | | 1 | M8 X 1.25 | |
| 3 | X8875292 | O-RING | | 1 | | |
| 4 | 8878240 | BUSH | 8875293 | 1 | | |
| 5 | X8871258 | O-RING | | 1 | DIA.24,5 | |
| 6 | 8875179 | PISTON RANGE CYLINDER | | 1 | | |
| 7 | 14344 | PISTON O RING | | 1 | | |
| 8 | 14345 | PISTON O RING | | 1 | | |
| 9 | GMX-9-1602 | NUT | | 1 | M16 | |
| 10 | 14373 | DISC MAGNET | | 1 | | |
| 11 | X8870543 | DOWEL | | 2 | 16,0 DI X 30,5 | |

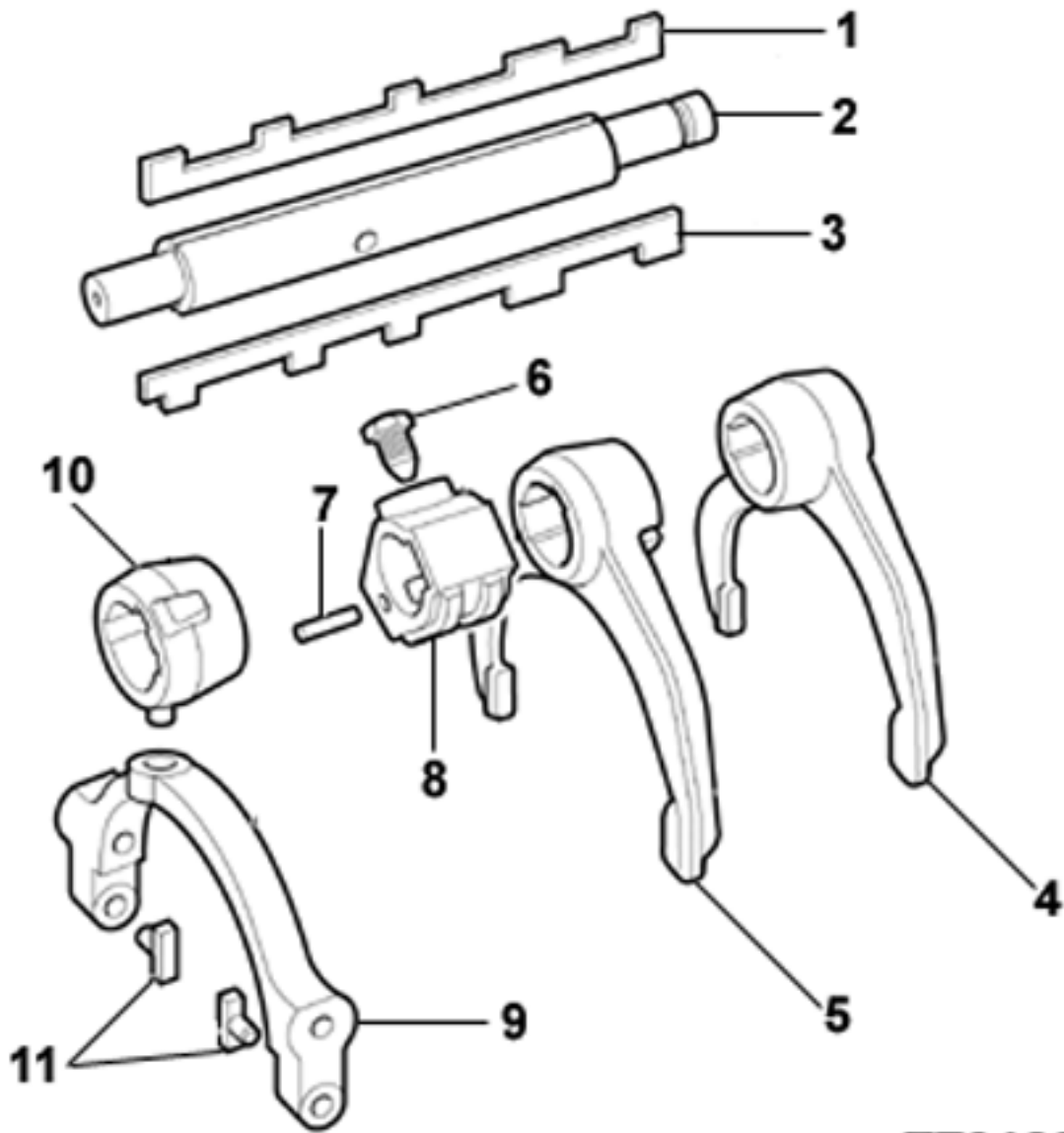
| Item | Current Part | Description | Replaced Part | Qty. | Notes | Kits/Assys Where Needed |
|------|--------------|------------------------|---------------|------|-------------------|-------------------------|
| 12 | 8882428 | TACHOGRAPH ROTOR | | 1 | | |
| 13 | 8883522 | WASHER | F96063 | 1 | | |
| 14 | GX8882027 | PLUG | | 1 | M18 X 1.5 X 12 | |
| 15 | 8874013 | ELECTR. SPEEDO HOUSING | | 1 | | |
| 16 | X8872721 | BEARING | | 1 | | |
| 17 | 8871992 | REAR COVER | | 1 | | |
| 18 | GMX-8-1095 | BOLT | | 3 | M10X95 HEX FLG HD | |
| 19 | GMX-8-1096 | BOLT | | 1 | M10X95 HEX FLG HD | |
| 20 | X8872722 | OIL SEAL | | 1 | | |
| 21 | GX8877225 | COUPLING FLANGE | | 1 | | |
| 22 | 8877209 | SPACER | | 1 | 77 X 61 X 6 | |
| 23 | GX8870553 | NUT | | 1 | | |
| 24 | GMX-8-1080 | BOLT | | 17 | M10X58 | |
| 25 | GMX-9-1005 | NUT | | 17 | M10X1.5 | |
| 26 | GMX-8-1240 | SCREW | | 4 | M12X25 HEX FLG HD | |
| 27 | GX8873917 | LAYSHAFT REAR COVER | | 1 | | |



TZ0007

REVERSE IDLER SHAFT

| Item | Current Part | Description | Replaced Part | Qty. | Notes | Kits/Assys Where Needed |
|------|--------------|---------------------|---------------|------|-------|-------------------------|
| 1 | 8883246 | REVERSE IDLER SHAFT | | 1 | | |
| 2 | 8870343 | THRUST WASHER | | 2 | | |
| 3 | 8872173 | GEAR IDLER REVERSE | | 1 | | |
| 4 | X8872478 | NEEDLE ROLLER BRG | | 2 | | |
| 5 | 8872479 | SPACER | | 1 | | |



TZ0126

SELECTOR ASSY. O/D

| Item | Current Part | Description | Replaced Part | Qty. | Notes | Kits/Assys Where Needed |
|------|--------------|-------------------------|---------------|------|-------------|-------------------------|
| 0 | U8882014 | SELECTOR ASSY. O/D | | 1 | | |
| 1 | 8872328 | SELECTOR KEY | | 1 | | |
| 2 | 8883498 | SELECTOR SHAFT H | 8875829 | 1 | ECO-0014959 | |
| 3 | 8880759 | INTERLOCK KEY | | 1 | | |
| 4 | 8875499 | FORK CRAWLER/REVERSE | | 1 | | |
| 5 | 8880760 | FORK 1ST/2ND | | 1 | | |

| Item | Current Part | Description | Replaced Part | Qty. | Notes | Kits/Assys Where Needed |
|------|--------------|--------------------|---------------|------|---------------|-------------------------|
| 6 | 8873691 | SCREW | | 1 | M10X23 HEX HD | |
| 7 | X8870277 | DOWEL | | 1 | | |
| 8 | 8874755 | SELECTOR BLOCK | | 1 | | |
| 9 | 8876856 | FORK OVERDRIVE | | 1 | | |
| 10 | 8882009 | OVERDRIVE SELECTOR | | 1 | | |
| 11 | 8872042 | PAD SHIFT FORK | | 2 | | |

Copyright Eaton Corporation, 2009.
Eaton hereby grants their customers,
vendors, or distributors permission to
freely copy, reproduce and/or distribute
this document in printed format. It may
be copied only in its entirety without
any changes or modifications. THIS
INFORMATION IS NOT INTENDED FOR
SALE OR RESALE, AND THIS NOTICE
MUST REMAIN ON ALL COPIES.

