



Powering Business Worldwide

Illustrated Parts List

Y08098

November 2015

Contents

How To Use The Illustrated Parts List	3
FRONT BEARING COVER ASSY.	4
FRONT CASE ASSY.....	5
INPUT SHAFT ASSY.....	7
INTERMEDIATE CASE ASSY.....	8
LAYSHAFT ASSY.	10
LRC ASSY.....	12
MAINSHAFT ASSY.....	15
PLANET GEAR SPINDLE ASSY	18
RANGE ASSY.....	19
RANGE CONTROL ASSY.....	21
REAR CASE ASSY.	23
REVERSE IDLER SHAFT.....	25
SELECTOR ASSY.	26

How To Use The Illustrated Parts List

The information contained in this document is subject to frequent updates. Therefore, for the latest information available, please visit the interactive Electronic Parts Catalog at <http://www.eaton.com/EatonCom/TruckEurope/TruckEurope/index.htm>

Model Designation and Nomenclature

- For information regarding Model Designation and Nomenclature, visit <http://www.eaton.com/EatonCom/TruckEurope/TruckEurope/index.htm>

Kits and Assemblies (K/A's)

- Kits or Assemblies contain groups of individual or assembled parts specially developed for optimal replacement during repair.
- Kits and Assemblies are shown with applicable parts groupings in the parts listings.

Identifying Kits and Assemblies

A- Part numbers beginning with the letter 'A' are pre-assembled Production Assemblies

K- Part numbers beginning with the letter 'K' are kits that are not assembled

T - Part numbers beginning with the letter 'T' are kits that are not assembled

S- Part numbers beginning with the letter 'S' are pre-assembled Service Assemblies

- Note: Some Production Assemblies do not begin with a letter prefix (Midrange only).

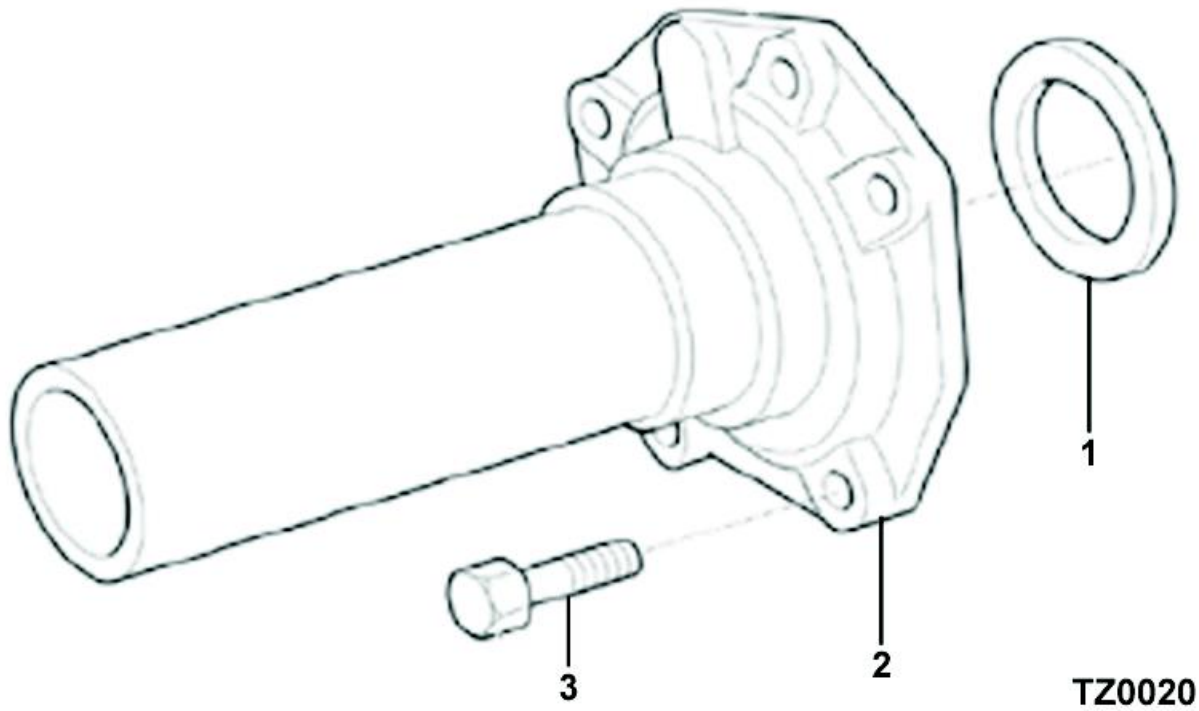
Illustrations

- Illustrations show parts in assembly groups.
- Item numbers on illustrations correspond with parts listings adjacent to the illustration.(on the same or adjacent page)
- Notes are included on illustrations where additional information is needed.

Parts Listing

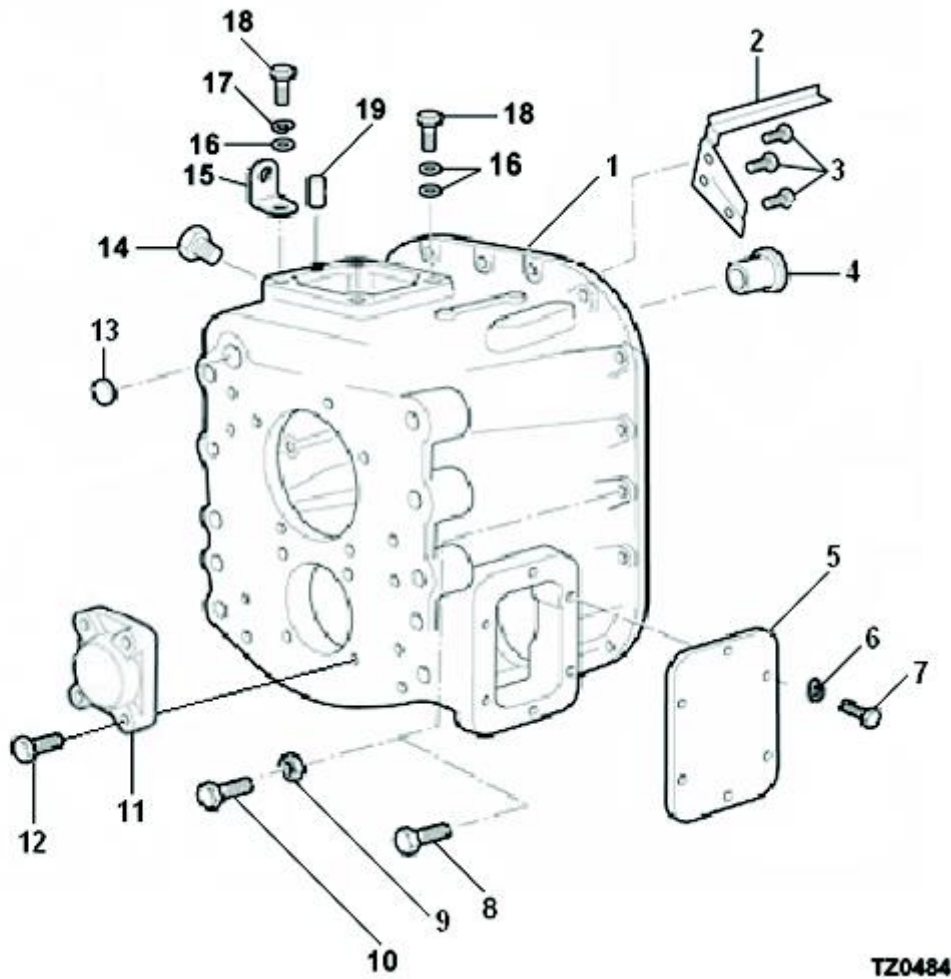
Parts listings are defined by parts groupings and are broken down by service assemblies. Parts listings identify a part for servicing with the following categories

- **ITEM** - Number corresponds to number on illustration for part identification.
- **CURRENT PART** - part number of the part available for service.
- **DESCRIPTION** - part name or description.
- **REPLACED PART** - number of replaced part.
- **QTY** - Quantity required for assembly.
- **NOTES** - unique characteristics or requirements.
- **KITS / ASSYS WHERE NEEDED** - kits or assemblies that contain the part.



FRONT BEARING COVER ASSY.

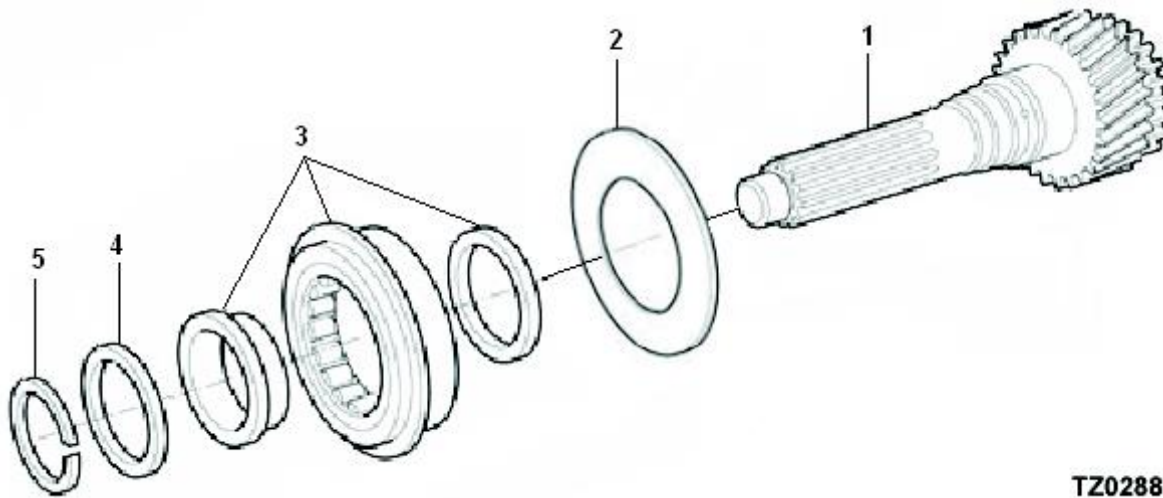
Item	Current Part	Description	Replaced Part	Qty.	Notes	Kits/Assys Where Needed
0	U8877544	FRONT BEARING COVER ASSY.		1		
1	X8870760	OIL SEAL		1		
2	8877543	FRONT BEARING COVER		1	66 X 158	
3	GMX-8-1089	SCREW		5	M10X25 HEX FLG HD	



FRONT CASE ASSY.

Item	Current Part	Description	Replaced Part	Qty.	Notes	Kits/Assys Where Needed
0	U8882263	FRONT CASE ASSY.		1		
1	8881838	FRONT CASE		1		
2	8877758	OIL TROUGH		1		
3	X2014206	POP RIVET		3		
4	8883756	BUSH	8882415	1	FOR MAIN SELECTOR SHAFT	
5	8881616	PTO PROVISION COVER		1		
6	GMX-3-1001	SPRING WASHER		6	M10	
7	GMX-8-1001	SCREW		6		
8	GMX-8-1079	BOLT		4	M10X40	
9	GMX-9-	NUT		14	M10X1.5	

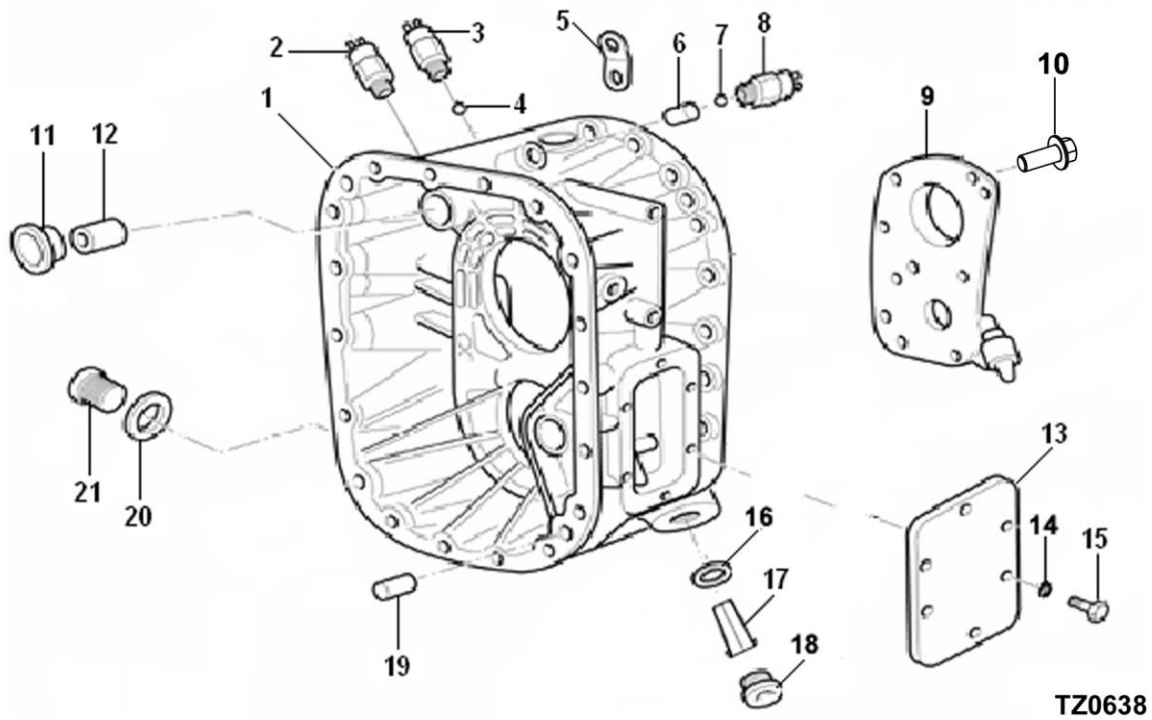
Item	Current Part	Description	Replaced Part	Qty.	Notes	Kits/Assys Where Needed
	1005					
10	GMX-8-1080	BOLT		14	M10X58	
11	8880554	BEARING COVER LAYSHAFT		1		
12	GMX-8-1240	SCREW		4	M12X25 HEX FLG HD	
13	GX8870278	CUP PLUG		1		
14	X8876793	DETENT ASSY.		1		
15	GX20815	LIFTING EYE		1		
16	GX11245	WASHER PLAIN		7	M10	
17	GMX-3-1001	SPRING WASHER		1	M10	
18	GMX-8-1091	SCREW		4	M10X30 HEX FLG HD	
19	X8870542	DOWEL		2	8,0 DIA X 16	



TZ0288

INPUT SHAFT ASSY.

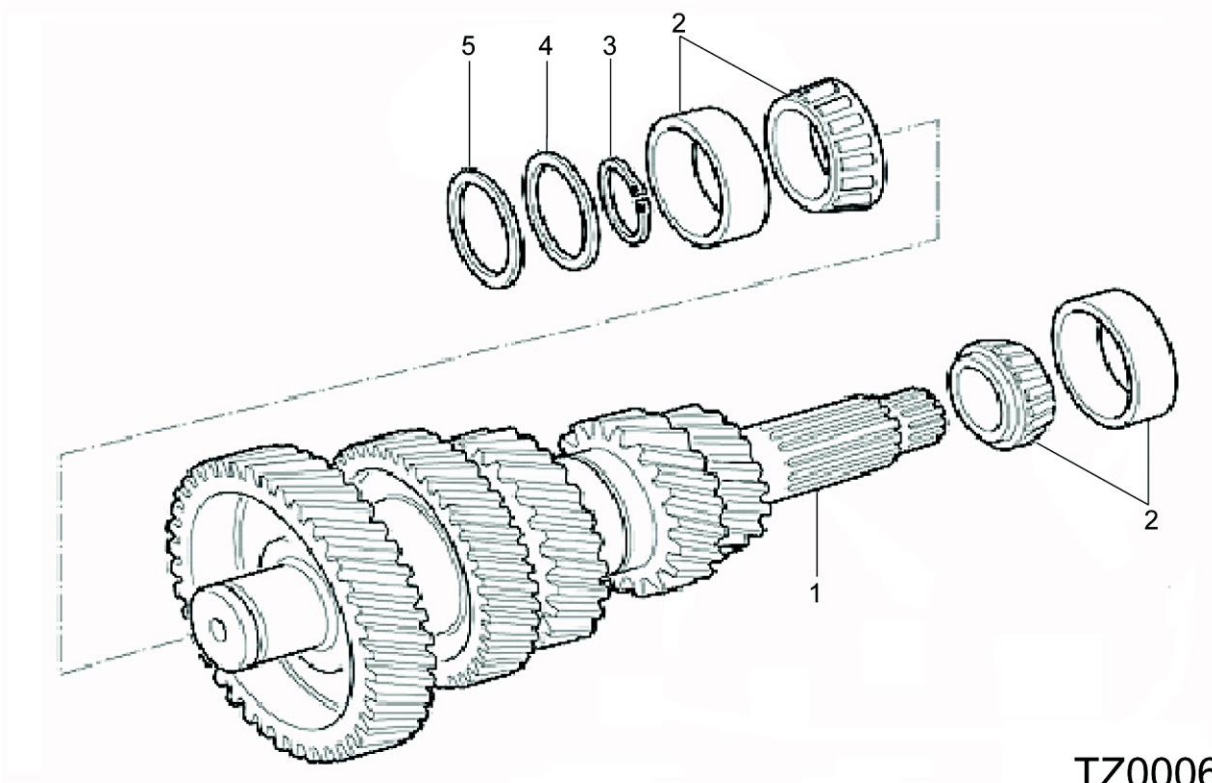
Item	Current Part	Description	Replaced Part	Qty.	Notes	Kits/Assys Where Needed
0	U8880147	INPUT SHAFT ASSEMBLY		1		
1	8877837	INPUT SHAFT		1		
2	8877429	SPACER BEARING SHIELD		1		
3	X8872593	INPUT SHAFT BEARING		1		
4	8877692	SPACER - GRADED 3.10		1	PACK: U8877691	
4	8877693	SPACER - GRADED 3.15		1	PACK: U8877691	
4	8877694	SPACER - GRADED 3.20		1	PACK: U8877691	
4	8877695	SPACER - GRADED 3.25		1	PACK: U8877691	
4	8877696	SPACER - GRADED 3.30		1	PACK: U8877691	
4	8877697	SPACER - GRADED 3.35		1	PACK: U8877691	
4	8877698	SPACER - GRADED 3.40		1	PACK: U8877691	
4	8877699	SPACER - GRADED 3.45		1	PACK: U8877691	
4	8877700	SPACER - GRADED 3.50		1	PACK: U8877691	
4	U8877691	SPACER - GRADED PACK		1		
5	X8877706	CIRCLIP		1		



INTERMEDIATE CASE ASSY.

Item	Current Part	Description	Replaced Part	Qty.	Notes	Kits/Assys Where Needed
0	U8877355	INTERMEDIATE CASE ASSY.		1		
1	8877354	INTERMEDIATE CASE		1		
2	GX2771532	SWITCH REVERSE / RANGE		1		
3	8880315	NEUTRAL SWITCH		1		
4	X8870711	BALL		1	DIA.14	
5	GX8879211	LIFTING EYE		1		
6	8875267	PIN INTERLOCK		1		
7	X8870711	BALL		1	DIA.14	
8	GX2771532	SWITCH REVERSE / RANGE		1		
9	U8883827	OIL PUMP ASSY.	U8877604	1		
10	GMX-8-1089	SCREW		8	M10X25 HEX FLG HD	
11	8883756	BUSH	8882415	1	FOR MAIN SELECTOR SHAFT	
12	X8871377	BUSH		1		
13	8881616	PTO PROVISION COVER		1		

Item	Current Part	Description	Replaced Part	Qty.	Notes	Kits/Assys Where Needed
14	GMX-3-1001	SPRING WASHER		6	M10	
15	GMX-8-1001	SCREW		6		
16	X8880469	WASHER-OIL STRAINER / DRAIN		1		
17	U8877597	OIL STRAINER & SUCTION TUBE		1		
18	GX8876352	PLUG OIL STRAINER		1		
19	X8870543	DOWEL		2	16,0 DI X 30,5	
20	X8880519	WASHER-FILL/DRAIN FL		1		
21	GX8874942	OIL FILLER PLUG		1		

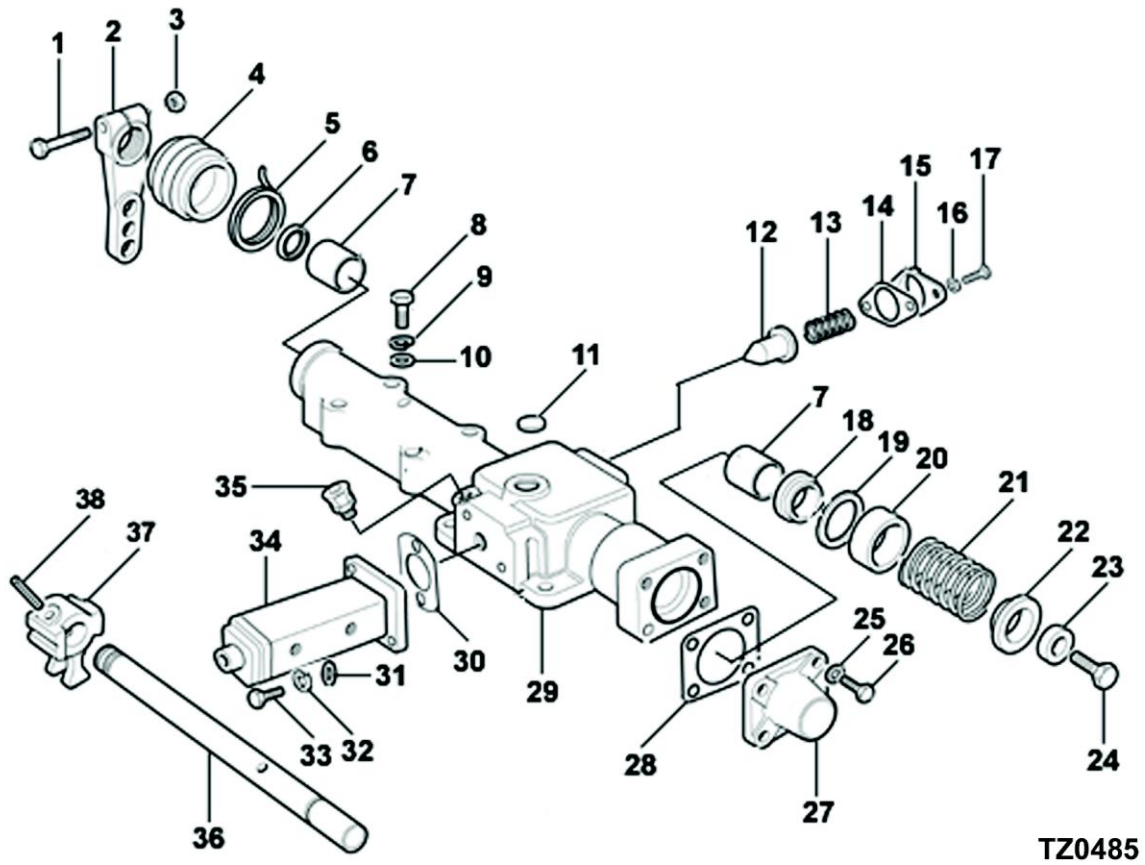


TZ0006

LAYSHAFT ASSY.

Item	Current Part	Description	Replaced Part	Qty.	Notes	Kits/Assys Where Needed
1	U8880745	LAYSHAFT ASSY.		1		
2	X8875587	BEARING ASSEMBLY		2		
3	U8877534	CIRCLIP GRADED PACK		1		
3	X8870370	GR.C/CLIP 40 DIA. X 2.12 MM		1		
3	X8870371	GR.C/CLIP 40 DIA. X 2.07 MM		1		
3	X8870372	GR.C/CLIP 40 DIA X 2.02 MM		1		
3	X8871536	GR.C/CLIP 40 DIA. X 1.97 MM		1		
3	X8871537	GR.C/CLIP 40 DIA. X 1.92 MM		1		
3	X8871538	GR.C/CLIP 40 DIA. X 1.87 MM		1		
3	X8871539	GR.C/CLIP 40 DIA. X 1.82 MM		1		
3	X8871540	GR.C/CLIP 40 DIA. X 1.77 MM		1		

Item	Current Part	Description	Replaced Part	Qty.	Notes	Kits/Assys Where Needed
4	F88891	SHIM		1	S=0,051	
4	F88892	SHIM		1	S=0,127	
4	F88893	SHIM		1	S=0,254	
4	F88894	SHIM		1	S=0,508	
4	U8877535	SHIM PACK		1		
4	X8882272	SHIM		1	S=1,200	
5	8875879	SPACER		1		



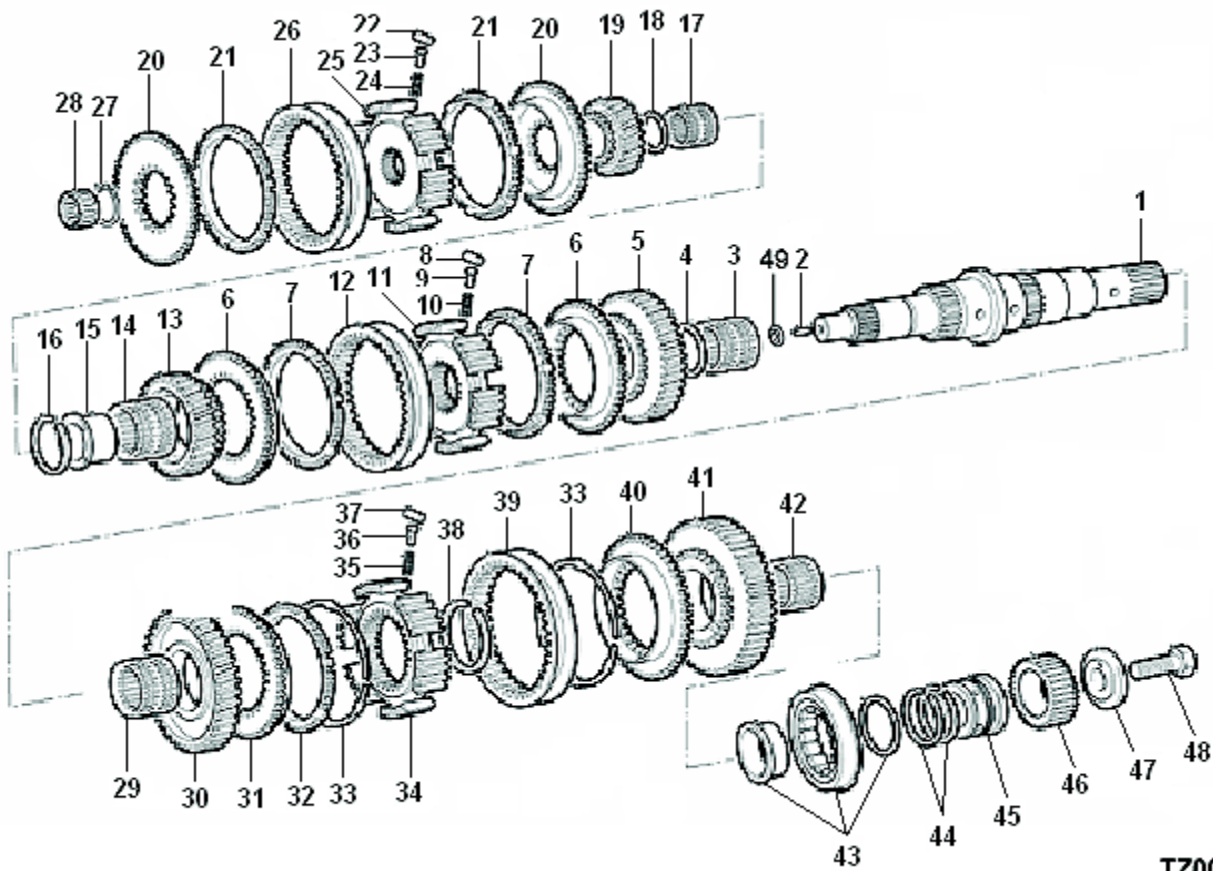
TZ0485

LRC ASSY.

Item	Current Part	Description	Replaced Part	Qty.	Notes	Kits/Assys Where Needed
0	U8880476	LRC ASSY.		1		
1	GMX-8-1007	BOLT		1	M10X50	
2	D8876842	OUTER LEVER		1		
3	GMX-9-1005	NUT		1	M10X1.5	
4	14975	BOOT		1		
5	F96430	CABLE TIE		1		
6	X8881481	OIL SEAL		1		
7	X8871377	BUSH		2		
8	GMX-8-1005	BOLT		4	M10X55	
9	GMX-3-1001	SPRING WASHER		4	M10	
10	GX11245	WASHER PLAIN		4	M10	

Item	Current Part	Description	Replaced Part	Qty.	Notes	Kits/Assys Where Needed
11	GX8871486	EXPANSION PLUG		1		
12	8880238	PLUNGER		1		
13	8874897	SPRING COMPRESSION		1		
14	8870590	GASKET		1		
15	GX8870259	DETENT COVER		1		
16	GMX-3-0801	WASHER SPRING		2	M8	
17	GMX-8-0801	SCREW		2	M8X14	
18	8871374	SPRING RETAINING CUP		1		
19	8871481	WASHER STOP		1		
20	8872637	SPACER		1		
21	8871395	SPRING COMPRESSION		1		
22	8872639	SPRING RETAINER BUSH		1		
23	8871478	WASHER PLAIN		1	M8	
24	GMX-8-0803	SCREW		1	M8X25	
25	GMX-3-0801	WASHER SPRING		4	M8	
26	GMX-8-0824	SCREW		4	M8X30 HEX HD	
27	8876041	END COVER		1		
28	8873734	GASKET		1		
29	8875113	LRC HOUSING		1		
30	F91353	JOINT		1		
31	GMX-10-0601	WASHER		2	M6	
32	GMX-3-0602	WASHER SPRING		2	M6	
33	GMX-8-0629	SCREW		2	M6 X 20	
34	F96387	RANGE VALVE		1		
35	X2014210	BREATHER		1		
36	GX8880071	SHIFT ROD		1		
37	88877659	INNER STRIKING LEVER		1		

Item	Current Part	Description	Replaced Part	Qty.	Notes	Kits/Assys Where Needed
38	X8871378	DOWEL		1	10,0 DIA X 44	



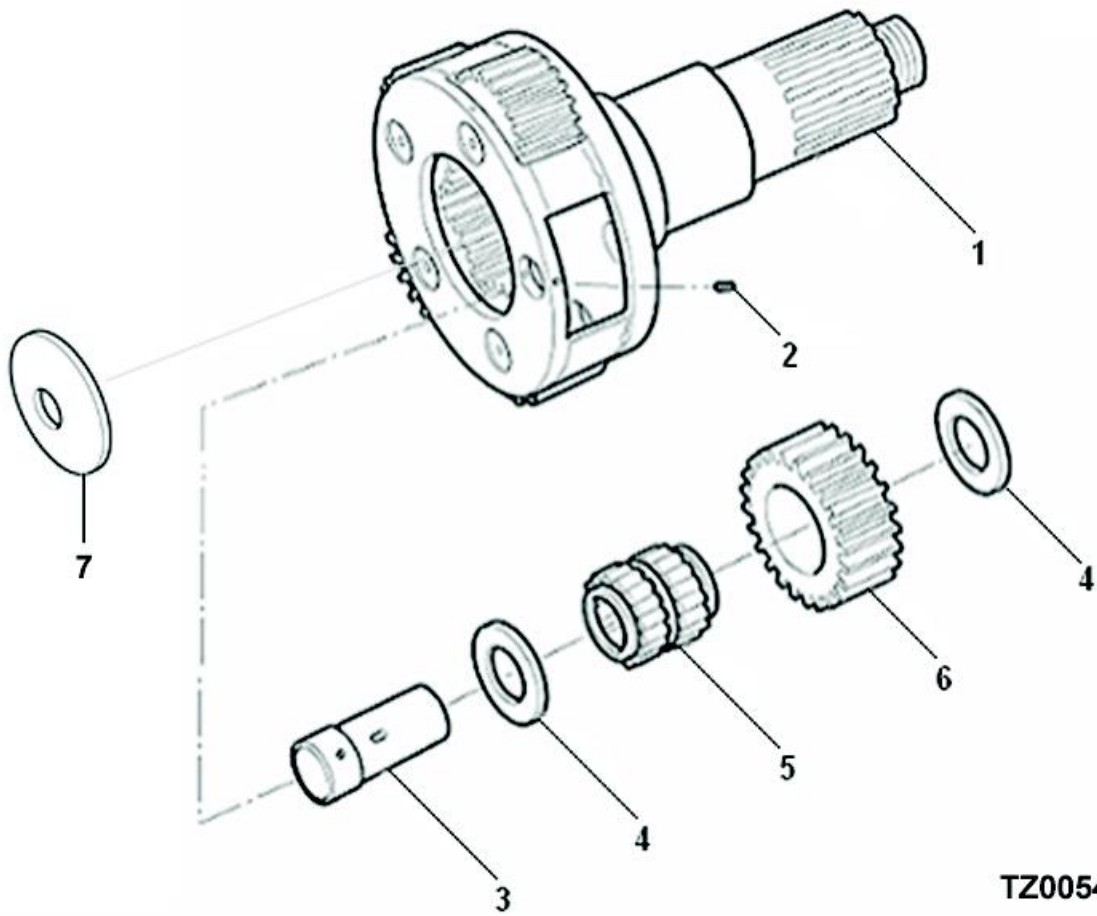
TZ0044

MAINSHAFT ASSY.

Item	Current Part	Description	Replaced Part	Qty.	Notes	Kits/Assys Where Needed
0	U8882993	MAINSHAFT ASSY.		1		
1	U8877167	MAINSHAFT SUB ASSY.		1		
2	X14851	DOWEL		1	5/16 DI X 1.50	
3	X8872233	NEEDLE ROLLER BRG. ASSY		1		
4	8872589	GEAR SPACER 1ST		1		
5	8876948	GEAR MAINSHAFT 1ST		1		
6	8877321	SYNCHRO FLANGE 1/2/3/4		2		
7	8883044	RING SYNCHRO 1ST/2ND	8882682	2		
8	X8870356	ROLLER		3		
9	8870352	PLUNGER		3		
10	8870444	SPRING COMPRESSION		3		
11	8875571	HUB-FIXED, 1ST/2ND		1		

Item	Current Part	Description	Replaced Part	Qty.	Notes	Kits/Assys Where Needed
12	8880460	SLIDING SLEEVE		1		
13	8876949	GEAR MAINSHAFT 2ND		1		
14	X8872233	NEEDLE ROLLER BRG. ASSY		1		
15	8882868	SLEEVE MAINSHAFT BEARING		1		
16	U8882558	GRADED CIRCLIP PACK		1		
16	X8870534	GR.CIRCLIP 46 DIA. X 2.10 MM		1	PACK: U8882558	
16	X8870535	GR.CIRCLIP 46 DIA. X 2.05 MM		1	PACK: U8882558	
16	X8870536	GR.CIRCLIP 46 DIA. X 2.00 MM		1	PACK: U8882558	
16	X8883040	CIRCLIP GRADED 46 DIA X2.15 MM		1	PACK: U8882558	
16	X8883041	CIRCLIP GRADED 46 DIA X 2.20 MM		1	PACK: U8882558	
17	X8870180	NEEDLE BEARING		1		
18	8872588	GEAR SPACER 4TH		1		
19	8880740	GEAR MAINSHAFT 3RD		1		
20	8877321	SYNCHRO FLANGE 1/2/3/4		2		
21	8883044	RING SYNCHRO 1ST/2ND	8882682	2		
22	X8870356	ROLLER		3		
23	8870352	PLUNGER		3		
24	8870444	SPRING COMPRESSION		3		
25	8875554	FIXED HUB 3RD/4TH		1		
26	8880460	SLIDING SLEEVE		1		
27	U8877531	GRADED CIRCLIP PACK		1		
27	X8870370	GR.C/CLIP 40 DIA. X 2.12 MM		1		
27	X8870371	GR.C/CLIP 40 DIA. X 2.07 MM		1		
27	X8870372	GR.C/CLIP 40 DIA X 2.02 MM		1		
28	X8870305	NEEDLE BRG.ROLLER ASSY		1		
29	X8872233	NEEDLE ROLLER BRG. ASSY		1		

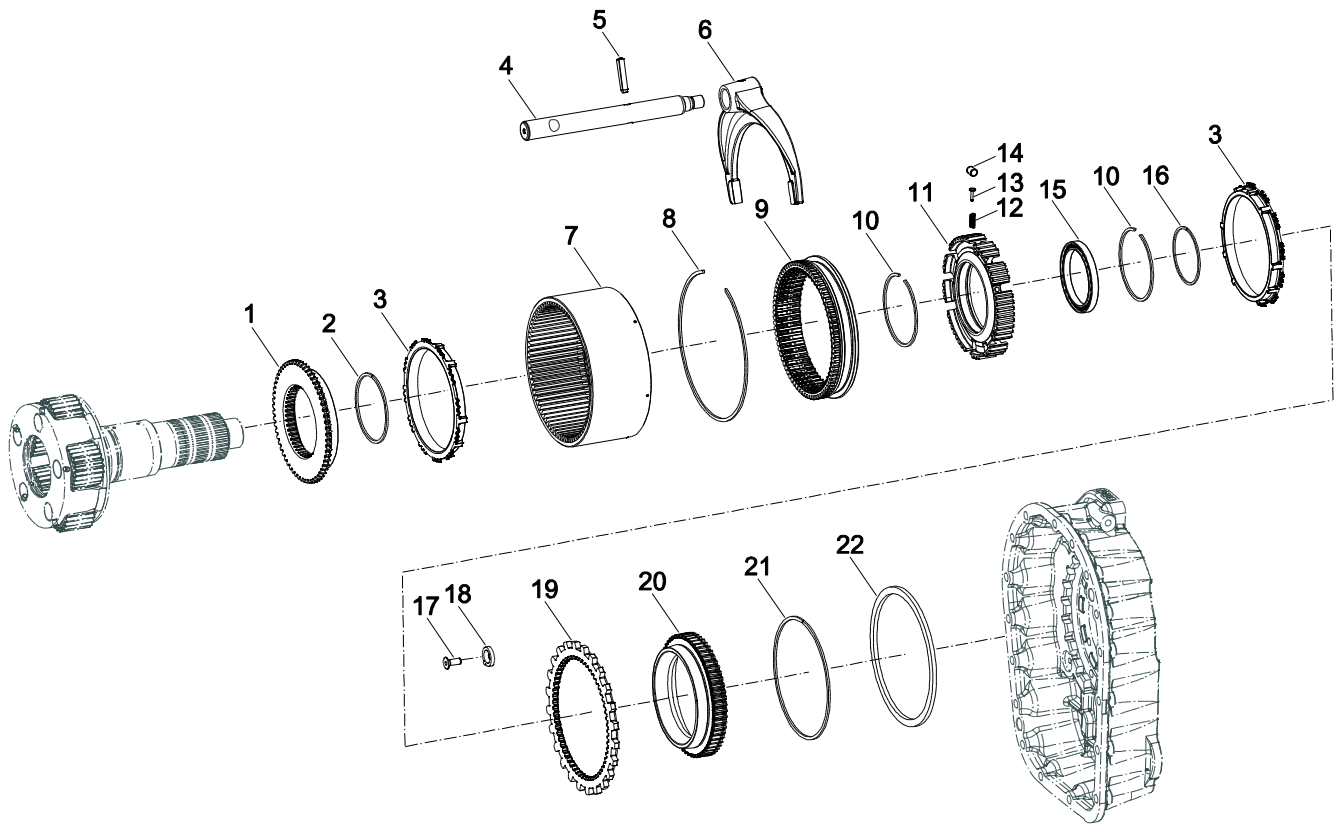
Item	Current Part	Description	Replaced Part	Qty.	Notes	Kits/Assys Where Needed
30	8876477	GEAR MAINSHAFT CRAWLER		1		
31	8880059	SYNCHRO FLANGE CRAWLER		1		
33	X8873994	CIRCLIP SYNCHRO. ASSY.		1		
34	8875604	FIXED HUB REVERSE/CRAWLER		1		
35	8870444	SPRING COMPRESSION		3		
36	8870352	PLUNGER		3		
37	X8870356	ROLLER		3		
38	U8877532	GRADED CIRCLIP PACK		1		
38	X8870378	CIRCLIP-GR.DIA.60 X 2.10 MM		1		
38	X8870379	CIRCLIP-GR.DIA.60 X 2.05 MM		1		
38	X8870380	CIRCLIP-GR.DIA.60 X 2.00 MM		1		
39	8880461	SLIDING SLEEVE		1		
40	8870415	SYNCHRO FLANGE REVERSE		1		
41	8876478	GEAR MAINSHAFT REVERSE		1		
42	X8870178	NEEDLE ROLLER BRG. ASSY		1		
43	X8877164	BEARING REAR MAINSHAFT		1		
44	X8875532	SEALING RING		2		
45	8874921	OIL MUFF		1		
46	8875585	SUN GEAR		1		
47	8880594	RETAINER		1		
48	GX8870699	SCREW		1	M16X45 HEX HD	
49	8876298	RESTRICTOR		1		



TZ0054

PLANET GEAR SPINDLE ASSY

Item	Current Part	Description	Replaced Part	Qty.	Notes	Kits/Assys Where Needed
0	U8877600	PLANET GEAR SPINDLE ASSY		1		
1	U8882494	OUTPUT SHAFT ASSY		1		
2	MX-11-0601	SCREW		5	M6 X 10 SKT HD SET	
3	8872682	SPINDLE-PLANET GEAR		5		
4	8876893	WASHER		10		
5	U8875235	NEEDLE ROLLER BRG. ASSY.		5		
6	8883395	GEAR PLANET	8875586	5		
7	8877599	OIL RESTRICTOR		1		

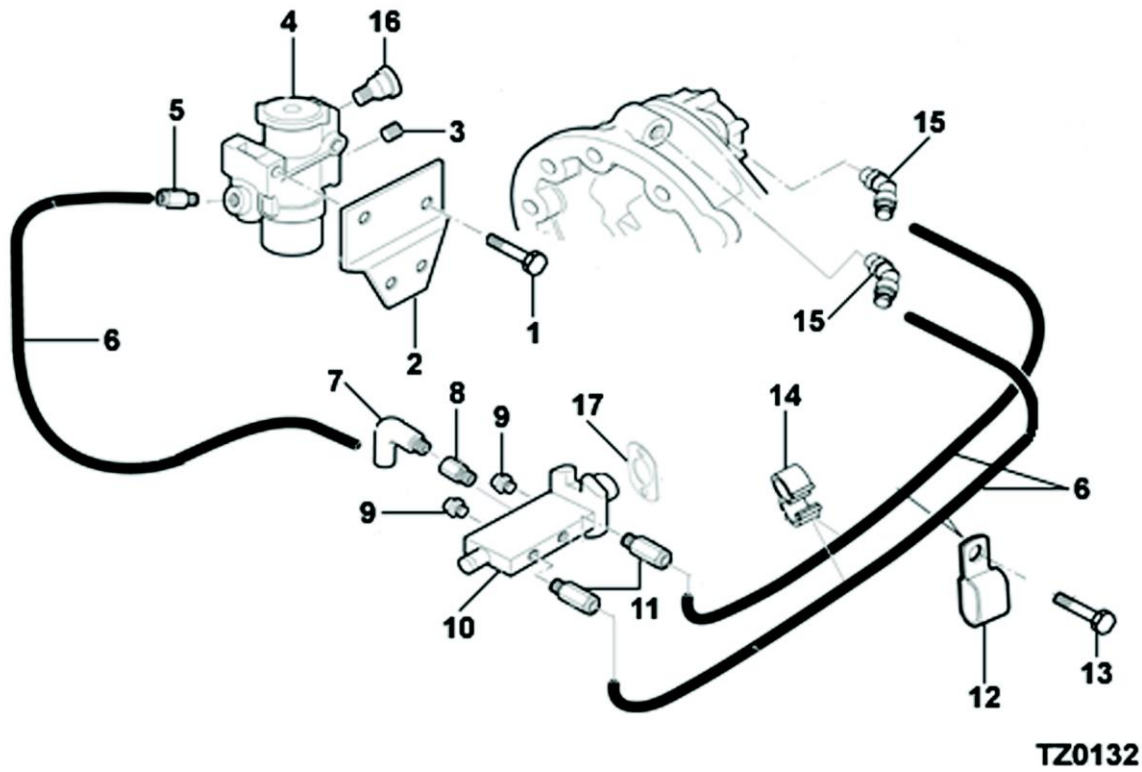


PU0146

RANGE ASSY.

Item	Current Part	Description	Replaced Part	Qty.	Notes	Kits/Assys Where Needed
1	8877323	SYNCHRO FLANGE		1		
2	X8870342	CIRCLIP		1		
3	8877442	SYNCHRO RING - RANGE		2		
4	8872626	HI-LO SHIFT ROD		1		
5	X8878665	DOWEL	X8870726	1		
6	8872737	HIGH/LOW SHIFT FORK	8872737,8883677	1		
7	8872680	ANNULUS		1		
8	X8875296	CIRCLIP		1		
9	8880522	SLIDING SLEEVE		1		
10	X8870341	CIRCLIP		1		

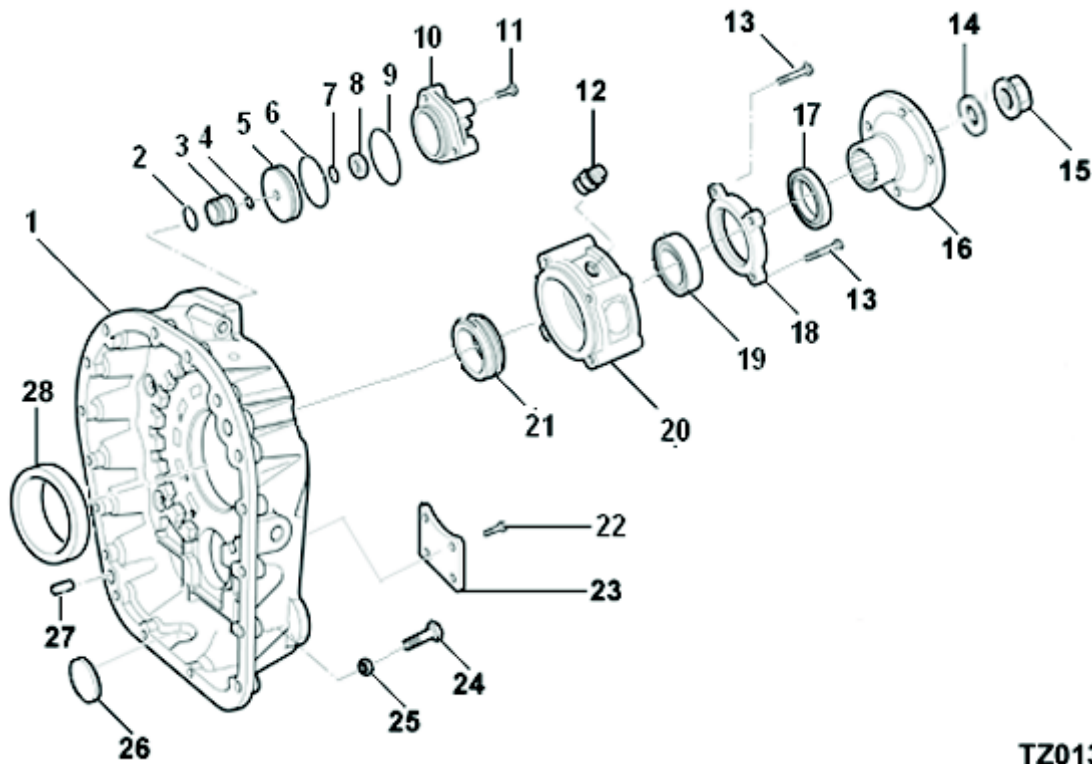
Item	Current Part	Description	Replaced Part	Qty.	Notes	Kits/Assys Where Needed
11	8875881	FIXED HUB		1		
12	8870444	SPRING COMPRESSION		9		
13	8870352	PLUNGER		9		
14	X8870355	ROLLER		9		
15	X8870844	BEARING		1		
16	X8870344	CIRCLIP		1		
17	GMX-8-0806	SCREW		3	M8X20	
18	8870848	RETAINER		3		
19	8875646	REACTION PLATE		1		
20	8877322	SYNCHRO FLANGE		1		
21	X8873993	CIRCLIP		1		
22	8870808	SPACER		1		



RANGE CONTROL ASSY.

Item	Current Part	Description	Replaced Part	Qty.	Notes	Kits/Assys Where Needed
0	U8880072	RANGE CONTROL ASSY.		1		
1	X8880151	SCREW SPIRAL	GX8880151	2		
2	8880633	MOUNTING BRACKET		1		
3	GX2013517	PIPE PLUG		1	1/8	
4	X8880109	FILTER REGULATOR		1		
5	X8881538	STRAIGHT ADAPTOR		1	6MM	
6	X8881545	NYLON TUBE 6 MM		3		
7	X8880846	ELBOW ARTICULATED		1		
8	X8883138	ADAPTOR G1/8		2		
9	X8877525	BREATHER		2	1/8 WITH FLAP	
10	F96387	RANGE VALVE		1		
11	X8881538	STRAIGHT ADAPTOR		2	6MM	
12	12152	HOSE CLAMP		1		
13	GMX-8-1088	SCREW		2	M12X25 HEX FLG HD	
14	X8880545	PIPE CLIP - TWIN PIPE		2		

Item	Current Part	Description	Replaced Part	Qty.	Notes	Kits/Assys Where Needed
15	X8881544	SWIVEL ELBOW ADAPTOR 45 DEG		2		
16	X8877156	STRAIGHT ADAPTOR		1	3/8 - M10	
17	F91353	JOINT		1		

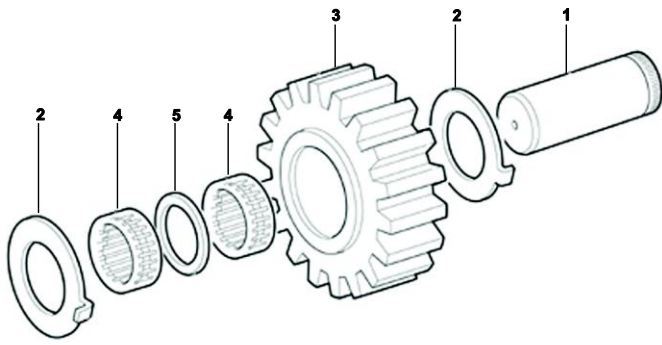


TZ0131

REAR CASE ASSY.

Item	Current Part	Description	Replaced Part	Qty.	Notes	Kits/Assys Where Needed
0	U8880053	REAR CASE ASSY.		1		
1	8874367	REAR CASING		1		
2	X8875292	O-RING		1		
3	8878240	BUSH	8875293	1		
4	X8871258	O-RING		1	DIA.24,5	
5	8875179	PISTON RANGE CYLINDER		1		
6	14344	PISTON O RING		1		
7	14345	PISTON O RING		1		
8	GMX-9-1602	NUT		1	M16	
9	X8873008	O-RING		1		
10	8875430	CYLINDER-RANGE		1		
11	GMX-8-1094	BOLT		3	M10X55 HEX FLG HD	
12	X8877476	IMPULSE TRANSMITTER		1		

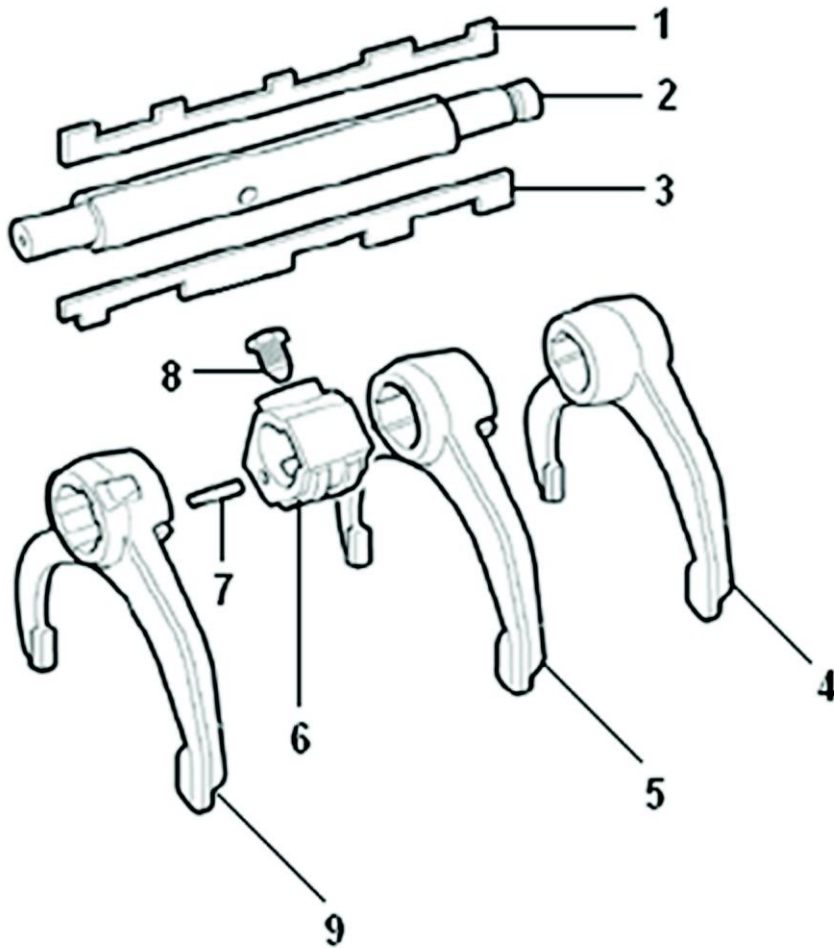
Item	Current Part	Description	Replaced Part	Qty.	Notes	Kits/Assys Where Needed
13	GMX-8-1095	BOLT		3	M10X95 HEX FLG HD	
13	GMX-8-1096	BOLT		1	M10X95 HEX FLG HD	
14	8877047	SPACER		1	77 X 57 X 6	
15	GX8870553	NUT		1		
16	D8877079	COUPLING FLANGE		1		
17	X8872722	OIL SEAL		1		
18	8871992	REAR COVER		1		
19	X8872721	BEARING		1		
20	8874013	SPEEDO HOUSING		1		
21	8882427	ROTOR TACHOGRAPH		1		
22	GMX-8-1240	SCREW		4	M12X25 HEX FLG HD	
23	GX8873917	LAYSHAFT REAR COVER		1		
24	GMX-8-1080	BOLT		17	M10X58	
25	GMX-9-1005	NUT		17	M10X1.5	
26	14373	DISC MAGNET		1		
27	X8870543	DOWEL		2	16,0 DI X 30,5	
28	8877603	RESTRICTOR OIL		1		



TZ0007

REVERSE IDLER SHAFT

Item	Current Part	Description	Replaced Part	Qty.	Notes	Kits/Assys Where Needed
1	8880069	REVERSE IDLER SHAFT		1		
2	8870343	THRUST WASHER		2		
3	8876457	REVERSE IDLER GEAR		1		
4	X8872478	NEEDLE ROLLER BRG		2		
5	8872479	SPACER		1		



PU0009

SELECTOR ASSY.

Item	Current Part	Description	Replaced Part	Qty.	Notes	Kits/Assys Where Needed
0	U8876833	SELECTOR ASSY.		1		
1	8872731	SELECTOR KEY		1		
2	8872734	SELECTOR SHAFT		1		
3	8872732	INTERLOCK KEY		1		
4	8872006	FORK CRAWLER/REVERSE		1		
5	8872007	FORK 1ST/2ND		1		
6	8876835	SELECTOR BLOCK		1		
7	X8870277	DOWEL		1		
8	8873691	SCREW		1	M10X23 HEX HD	
9	8872634	FORK 3RD/4TH		1		

Copyright Eaton Corporation, 2009.
Eaton hereby grants their customers,
vendors, or distributors permission to
freely copy, reproduce and/or distribute
this document in printed format. It may
be copied only in its entirety without
any changes or modifications. THIS
INFORMATION IS NOT INTENDED FOR
SALE OR RESALE, AND THIS NOTICE
MUST REMAIN ON ALL COPIES.

