



Powering Business Worldwide

Illustrated Parts List

Y08041

November 2015

Contents

How To Use The Illustrated Parts List	3
FRONT BEARING COVER ASSY.	4
FRONT CASE ASSY.....	5
INPUT SHAFT ASSY.....	7
INTERMEDIATE CASE ASSY.....	8
LAYSHAFT ASSY.	10
LRC ASSEMBLY	12
MAINSHAFT ASSY.....	14
PLANET GEAR SPINDLE ASSEMBLY.....	17
RANGE ASSY.....	18
RANGE CONTROL ASSY.....	20
REAR CASE ASSY.	22
REVERSE IDLER SHAFT.....	24
SELECTOR ASSY.	25

How To Use The Illustrated Parts List

The information contained in this document is subject to frequent updates. Therefore, for the latest information available, please visit the interactive Electronic Parts Catalog at <http://www.eaton.com/EatonCom/TruckEurope/TruckEurope/index.htm>

Model Designation and Nomenclature

- For information regarding Model Designation and Nomenclature, visit <http://www.eaton.com/EatonCom/TruckEurope/TruckEurope/index.htm>

Kits and Assemblies (K/A's)

- Kits or Assemblies contain groups of individual or assembled parts specially developed for optimal replacement during repair.
- Kits and Assemblies are shown with applicable parts groupings in the parts listings.

Identifying Kits and Assemblies

A- Part numbers beginning with the letter 'A' are pre-assembled Production Assemblies

K- Part numbers beginning with the letter 'K' are kits that are not assembled

T - Part numbers beginning with the letter 'T' are kits that are not assembled

S- Part numbers beginning with the letter 'S' are pre-assembled Service Assemblies

- Note: Some Production Assemblies do not begin with a letter prefix (Midrange only).

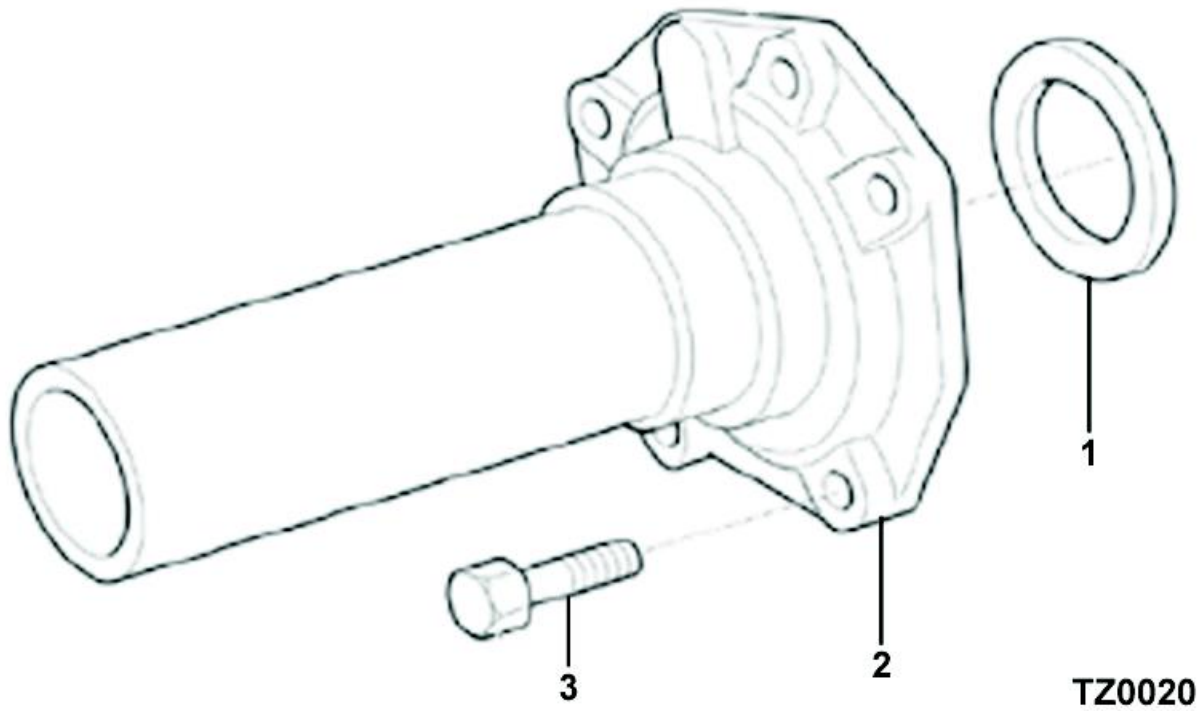
Illustrations

- Illustrations show parts in assembly groups.
- Item numbers on illustrations correspond with parts listings adjacent to the illustration.(on the same or adjacent page)
- Notes are included on illustrations where additional information is needed.

Parts Listing

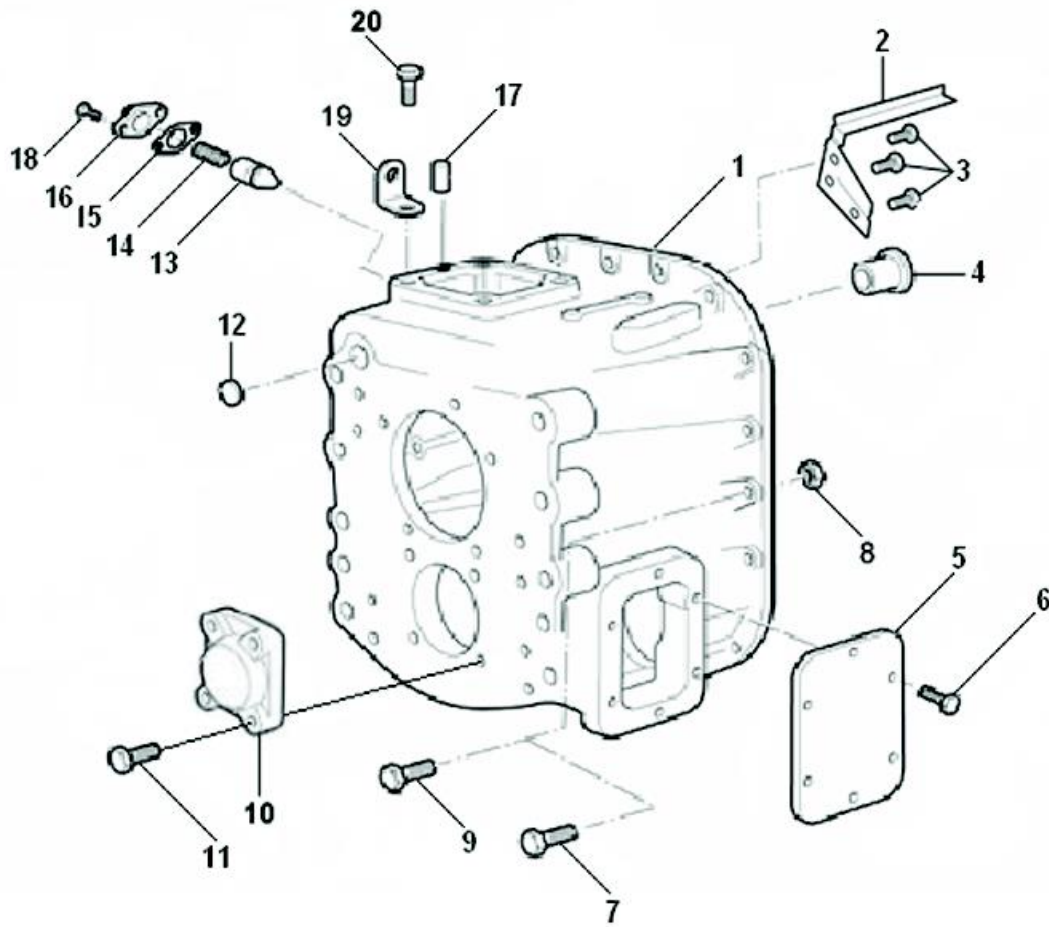
Parts listings are defined by parts groupings and are broken down by service assemblies. Parts listings identify a part for servicing with the following categories

- **ITEM** - Number corresponds to number on illustration for part identification.
- **CURRENT PART** - part number of the part available for service.
- **DESCRIPTION** - part name or description.
- **REPLACED PART** - number of replaced part.
- **QTY** - Quantity required for assembly.
- **NOTES** - unique characteristics or requirements.
- **KITS / ASSYS WHERE NEEDED** - kits or assemblies that contain the part.



FRONT BEARING COVER ASSY.

Item	Current Part	Description	Replaced Part	Qty.	Notes	Kits/Assys Where Needed
0	U8877544	FRONT BEARING COVER ASSY.		1		
1	X8870760	OIL SEAL		1		
2	8877543	FRONT BEARING COVER		1	66 X 158	
3	GMX-8-1089	SCREW		5	M10X25 HEX FLG HD	

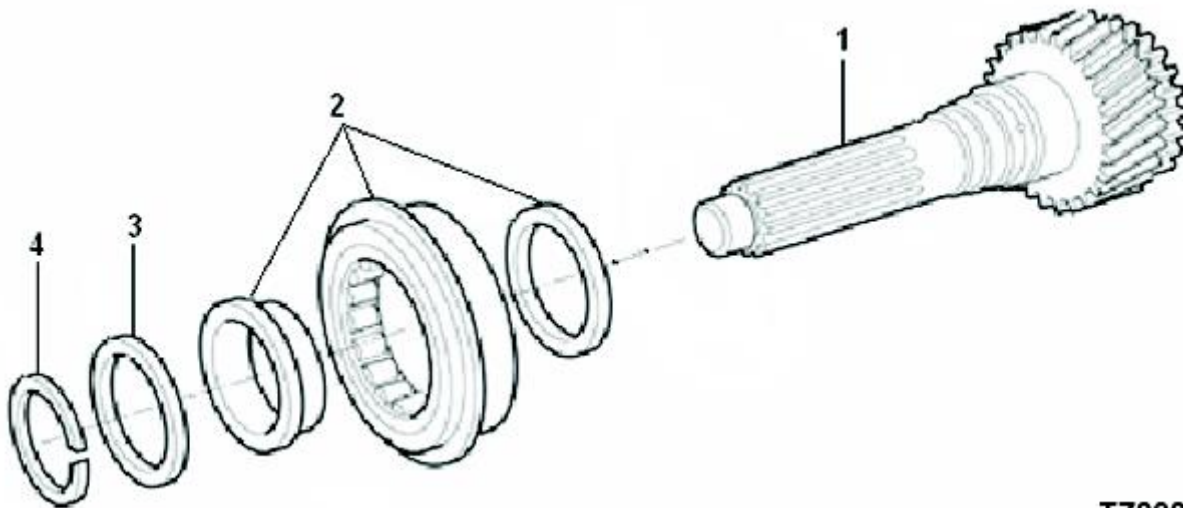


TZ0751

FRONT CASE ASSY.

Item	Current Part	Description	Replaced Part	Qty.	Notes	Kits/Assys Where Needed
0	U8882266	FRONT CASE ASSY		1		
1	8881855	FRONT CASE		1		
2	8877758	OIL TROUGH		1		
3	X2014206	POP RIVET		3		
4	8883756	BUSH	8882415	1	FOR MAIN SELECTOR SHAFT	
5	8881616	PTO PROVISION COVER		1		
6	GMX-8-1088	SCREW		6	M12X25 HEX FLG HD	
7	GMX-8-1079	BOLT		5	M10X40	
8	GMX-9-1005	NUT		13	M10X1.5	
9	GMX-8-	BOLT		13	M10X58	

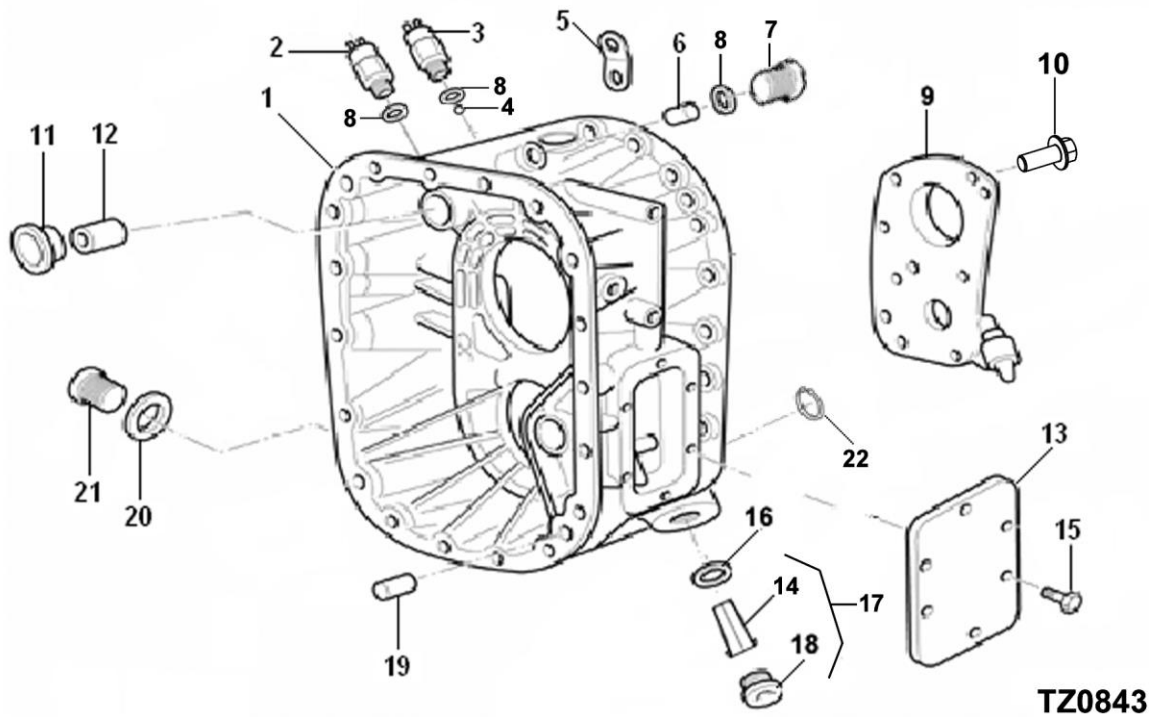
Item	Current Part	Description	Replaced Part	Qty.	Notes	Kits/Assys Where Needed
	1080					
10	GX8880554	BEARING COVER LAYSHAFT		1		
11	GMX-8- 1240	SCREW		4	M12X25 HEX FLG HD	
12	GX8870278	CUP PLUG		1		
13	8873654	PLUNGER-NEUTRAL		1		
14	8874897	SPRING COMPRESSION		1		
15	8870590	GASKET		1		
16	GX8870259	DETENT COVER		1		
17	X8870542	DOWEL		2	8,0 DIA X 16	
18	GMX-8- 0819	SCREW	GMX-8-0801	2	M8 X 16	
19	GX20815	LIFTING EYE		1		
20	GMX-8- 1091	SCREW		2	M10X30 HEX FLG HD	



TZ0003

INPUT SHAFT ASSY.

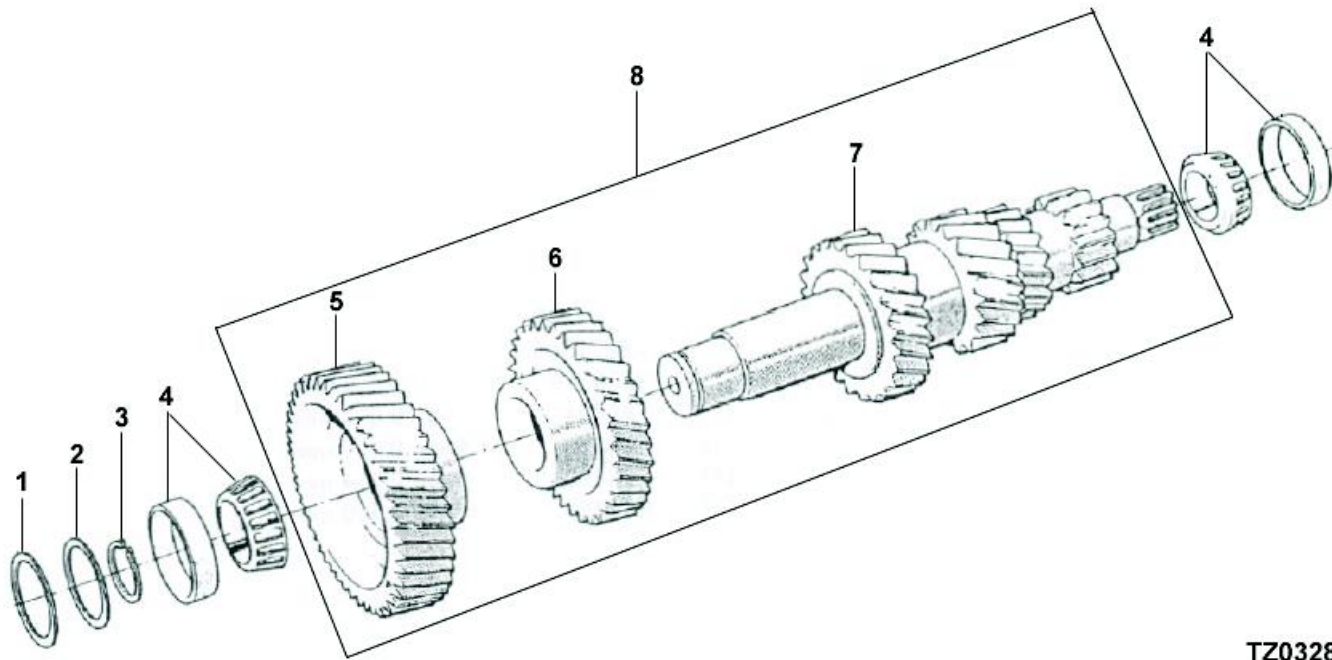
Item	Current Part	Description	Replaced Part	Qty.	Notes	Kits/Assys Where Needed
0	U8880146	INPUT SHAFT ASSEMBLY		1		
1	8877702	INPUT SHAFT		1		
2	X8872593	INPUT SHAFT BEARING		1		
3	8877692	SPACER - GRADED 3.10		1	PACK: U8877691	
3	8877693	SPACER - GRADED 3.15		1	PACK: U8877691	
3	8877694	SPACER - GRADED 3.20		1	PACK: U8877691	
3	8877695	SPACER - GRADED 3.25		1	PACK: U8877691	
3	8877696	SPACER - GRADED 3.30		1	PACK: U8877691	
3	8877697	SPACER - GRADED 3.35		1	PACK: U8877691	
3	8877698	SPACER - GRADED 3.40		1	PACK: U8877691	
3	8877699	SPACER - GRADED 3.45		1	PACK: U8877691	
3	8877700	SPACER - GRADED 3.50		1	PACK: U8877691	
3	U8877691	SPACER - GRADED PACK		1		
4	X8877706	CIRCLIP		1		



INTERMEDIATE CASE ASSY.

Item	Current Part	Description	Replaced Part	Qty.	Notes	Kits/Assys Where Needed
0	U8877355	INTERMEDIATE CASE ASSY.		1		
1	8877354	INTERMEDIATE CASE		1		
2	8876416	REVERSE SWITCH		1		
3	8876415	NEUTRAL SWITCH		1		
4	X8870711	BALL		1	DIA.14	
5	GX8874026	LIFTING EYE		1		
6	8875267	PIN INTERLOCK		1		
7	GX8871502	PLUG		1	M16	
8	5568510	O-RING		3		
9	U8883825	OIL PUMP	GU8875470	1		
10	GMX-8-1089	SCREW		8	M10X25 HEX FLG HD	
11	8883756	BUSH	8882415	1	FOR MAIN SELECTOR SHAFT	
12	X8871377	BUSH		1		
13	8881616	PTO PROVISION COVER		1		
14	8876351	STRAINER-OIL		1		

Item	Current Part	Description	Replaced Part	Qty.	Notes	Kits/Assys Where Needed
15	GMX-8-1006	SCREW		6		
16	X8880469	WASHER-OIL STRAINER / DRAIN		1		
17	DU8876353	OIL STRAINER ASSY.		1		
18	GX8876352	PLUG OIL STRAINER		1		
19	X8870543	DOWEL		2	16,0 DI X 30,5	
20	X8880519	WASHER-FILL/DRAIN FL		1		
21	GX8874942	OIL FILLER PLUG		1		
22	X8881424	CIRCLIP		1		

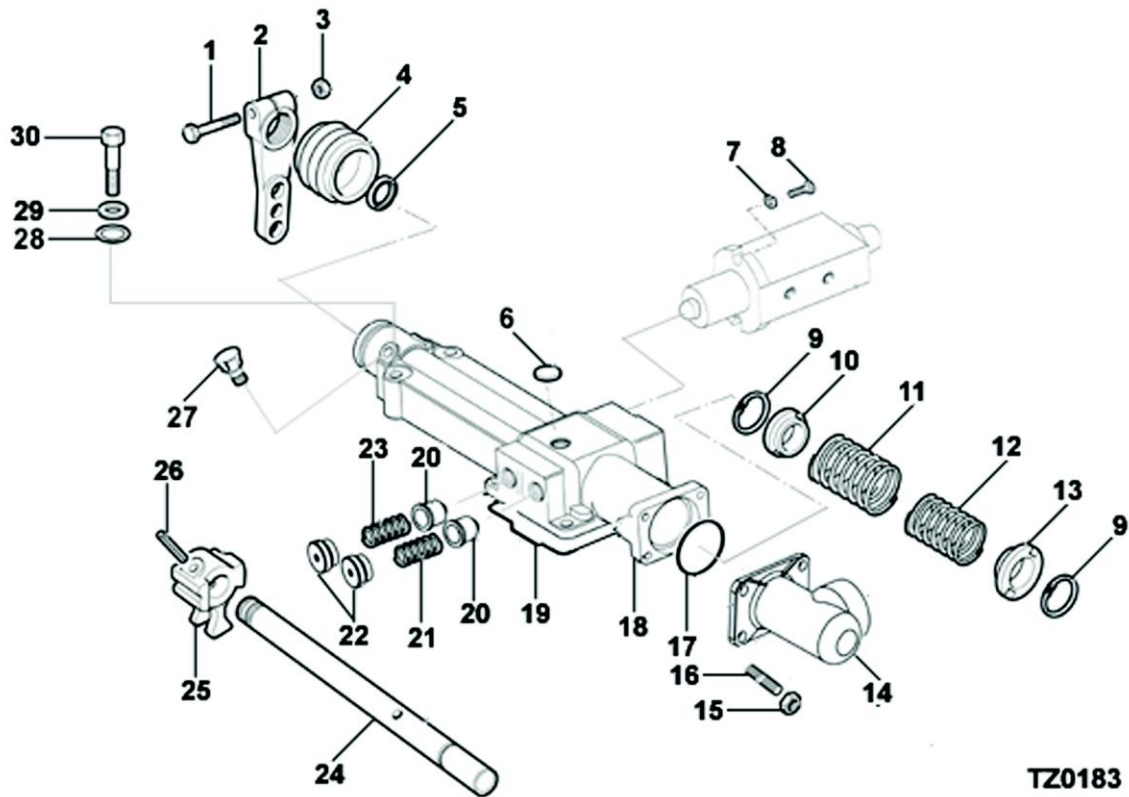


TZ0328

LAYSHAFT ASSY.

Item	Current Part	Description	Replaced Part	Qty.	Notes	Kits/Assys Where Needed
1	8875879	SPACER		1		
2	F88891	SHIM		1	S=0,051	
2	F88892	SHIM		1	S=0,127	
2	F88893	SHIM		1	S=0,254	
2	F88894	SHIM		1	S=0,508	
2	U8877535	SHIM PACK		1		
2	X8882272	SHIM		1	S=1,200	
3	U8877534	CIRCLIP GRADED PACK		1		
3	X8870370	GR.C/CLIP 40 DIA. X 2.12 MM		1		
3	X8870371	GR.C/CLIP 40 DIA. X 2.07 MM		1		
3	X8870372	GR.C/CLIP 40 DIA X 2.02 MM		1		
3	X8871536	GR.C/CLIP 40 DIA. X 1.97 MM		1		
3	X8871537	GR.C/CLIP 40 DIA. X 1.92 MM		1		
3	X8871538	GR.C/CLIP 40 DIA. X 1.87 MM		1		

Item	Current Part	Description	Replaced Part	Qty.	Notes	Kits/Assys Where Needed
3	X8871539	GR.C/CLIP 40 DIA. X 1.82 MM		1		
3	X8871540	GR.C/CLIP 40 DIA. X 1.77 MM		1		
4	X8875587	BEARING ASSEMBLY		2		
5	8876437	GEAR LAYSHAFT DRIVE		1		
6	8880741	GEAR LAYSHAFT 3RD		1		
7	8876947	LAYSHAFT		1		
8	U8880745	LAYSHAFT ASSY.		1		

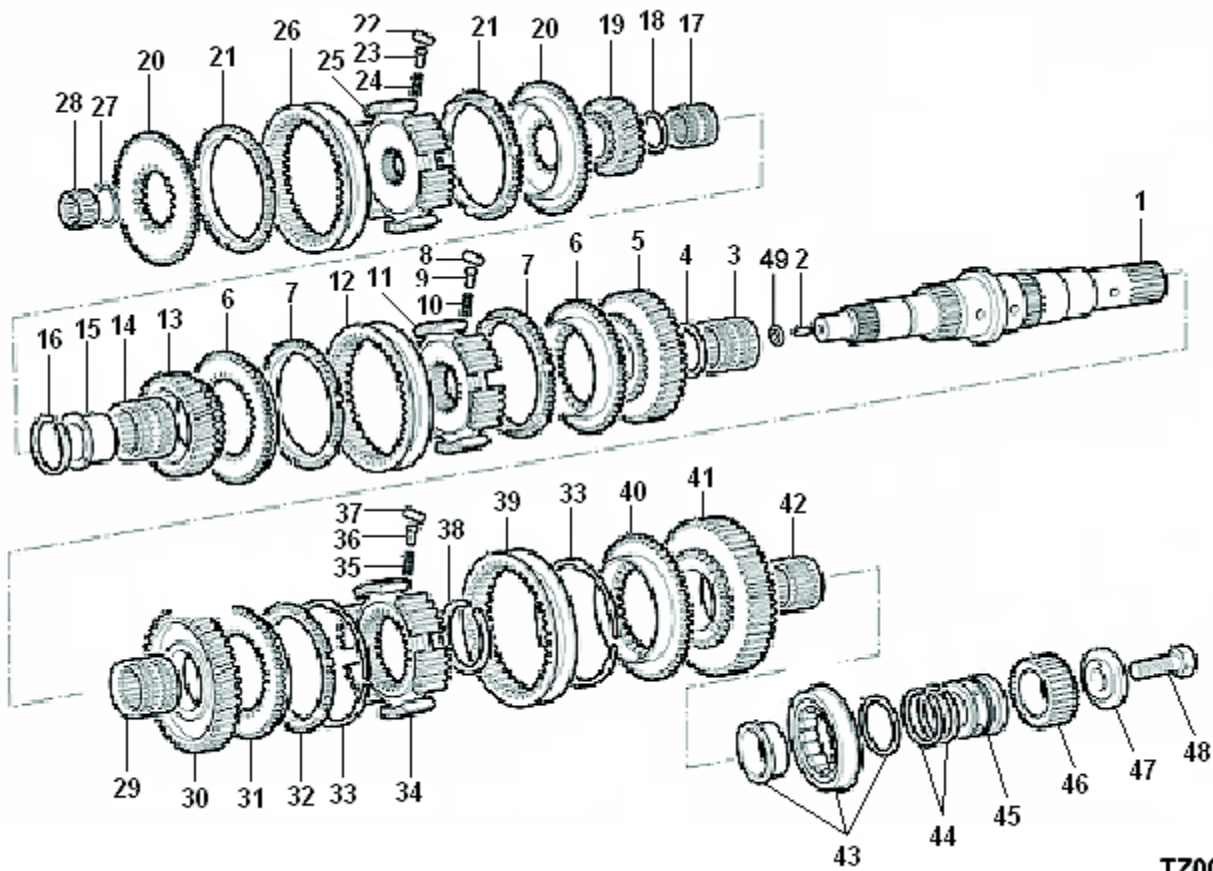


TZ0183

LRC ASSEMBLY

Item	Current Part	Description	Replaced Part	Qty.	Notes	Kits/Assys Where Needed
0	U8881270	LRC ASSY. RH		1		
1	GMX-8-1007	BOLT		1	M10X50	
2	GX8877100	GEAR LEVER DIRECT CONTROL		1		
3	GMX-9-1005	NUT		1	M10X1.5	
4	X8875259	BOOT		1		
5	X8881481	OIL SEAL		1		
6	GX8871486	EXPANSION PLUG		1		
7	GMX-3-0602	WASHER SPRING		2	M6	
8	GMX-8-0634	SOCKET HEAD SCREW		2		
9	X8874450	CIRCLIP		2	25.DIA	
10	8876566	SPRING RETAINER-BOOSTER		1		
11	8876344	SPRING COMPRESSION		1		

Item	Current Part	Description	Replaced Part	Qty.	Notes	Kits/Assys Where Needed
12	8873735	SPRING COMPRESSION		1		
13	8876567	SPRING RETAINER-BIAS		1		
14	8880467	HOUSING RANGE CONTROL VALVE		1		
15	GMX-9- 0803	NUT		4	M8 HEX FLG	
16	2772071	STUD		4	M8 X 40.0 LONG	
17	X8880639	O-RING		1		
18	U8880718	LRC SUB ASSY.		1		
19	8880638	SEAL		1		
20	8880986	DETENT PLUNGER		2		
21	8881592	SPRING-REVERSE DETENT		1		
22	GX8880301	PLUG DETENT		2		
23	8881592	SPRING-REVERSE DETENT		1		
24	8880294	SHIFT ROD		1		
25	8880298	INNER STRIKING LEVER		1		
26	X8871378	DOWEL		1	10,0 DIA X 44	
27	X2014210	BREATHER		1		
28	GX11245	WASHER PLAIN		2	M10	
29	GMX-3- 1001	SPRING WASHER		2	M10	
30	GMX-8- 1005	BOLT		2	M10X55	



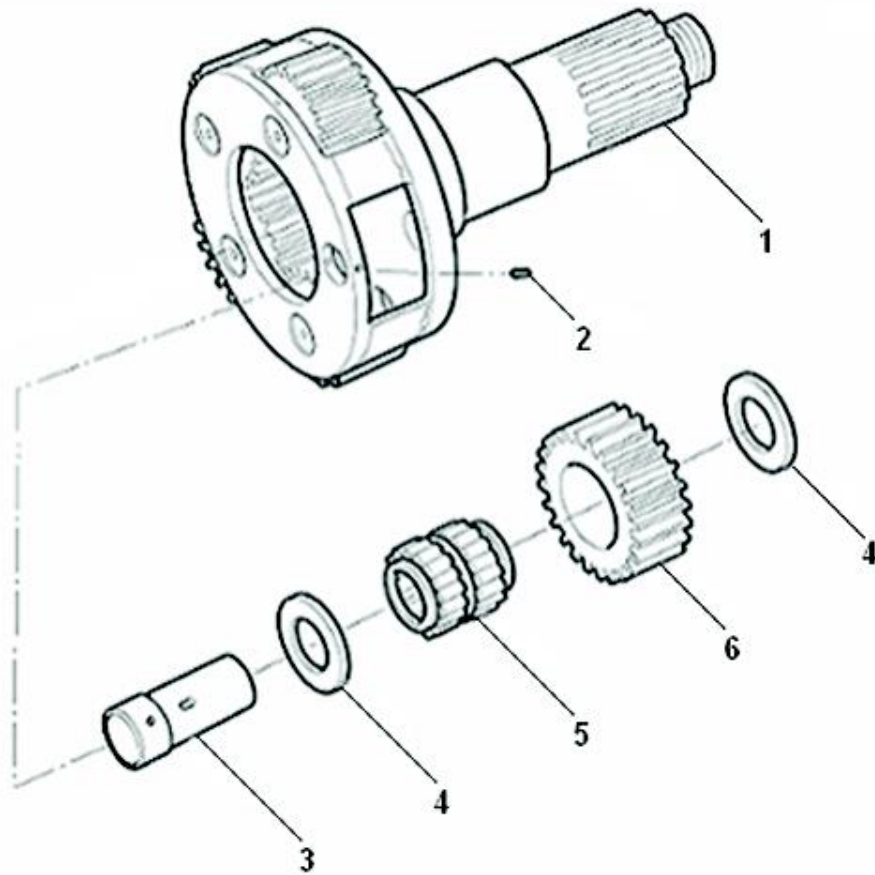
TZ0044

MAINSHAFT ASSY.

Item	Current Part	Description	Replaced Part	Qty.	Notes	Kits/Assys Where Needed
0	U8882988	MAINSHAFT ASSY.		1		
1	U8877167	MAINSHAFT SUB ASSY.		1		
2	X14851	DOWEL		1	5/16 DI X 1.50	
3	X8872233	NEEDLE ROLLER BRG. ASSY		1		
4	8872589	GEAR SPACER 1ST		1		
5	8876948	GEAR MAINSHAFT 1ST		1		
6	8877321	SYNCHRO FLANGE 1/2/3/4		2		
7	8882682	RING SYNCHRO 1ST/2ND		2		
8	X8870356	ROLLER		3		
9	8870352	PLUNGER		3		
10	8870444	SPRING COMPRESSION		3		
11	8875571	HUB-FIXED, 1ST/2ND		1		

Item	Current Part	Description	Replaced Part	Qty.	Notes	Kits/Assys Where Needed
12	8880460	SLIDING SLEEVE		1		
13	8876949	GEAR MAINSHAFT 2ND		1		
14	X8872233	NEEDLE ROLLER BRG. ASSY		1		
15	8882868	SLEEVE MAINSHAFT BEARING		1		
16	U8882558	GRADED CIRCLIP PACK		1		
16	X8870534	GR.CIRCLIP 46 DIA. X 2.10 MM		1	PACK: U8882558	
16	X8870535	GR.CIRCLIP 46 DIA. X 2.05 MM		1	PACK: U8882558	
16	X8870536	GR.CIRCLIP 46 DIA. X 2.00 MM		1	PACK: U8882558	
16	X8883040	CIRCLIP GRADED 46 DIA X2.15 MM		1	PACK: U8882558	
16	X8883040	CIRCLIP GRADED 46 DIA X2.15 MM		1	PACK: U8882558	
16	X8883041	CIRCLIP GRADED 46 DIA X 2.20 MM		1	PACK: U8882558	
16	X8883041	CIRCLIP GRADED 46 DIA X 2.20 MM		1	PACK: U8882558	
17	X8870180	NEEDLE BEARING		1		
18	8872588	GEAR SPACER 4TH		1		
19	8880740	GEAR MAINSHAFT 3RD		1		
20	8877321	SYNCHRO FLANGE 1/2/3/4		2		
21	8882682	RING SYNCHRO 1ST/2ND		2		
22	X8870356	ROLLER		3		
23	8870352	PLUNGER		3		
24	8870444	SPRING COMPRESSION		3		
25	8875554	FIXED HUB 3RD/4TH		1		
26	8880460	SLIDING SLEEVE		1		
27	U8877531	GRADED CIRCLIP PACK		1		
27	X8870370	GR.C/CLIP 40 DIA. X 2.12 MM		1		
27	X8870371	GR.C/CLIP 40 DIA. X 2.07 MM		1		
27	X8870372	GR.C/CLIP 40 DIA X 2.02 MM		1		

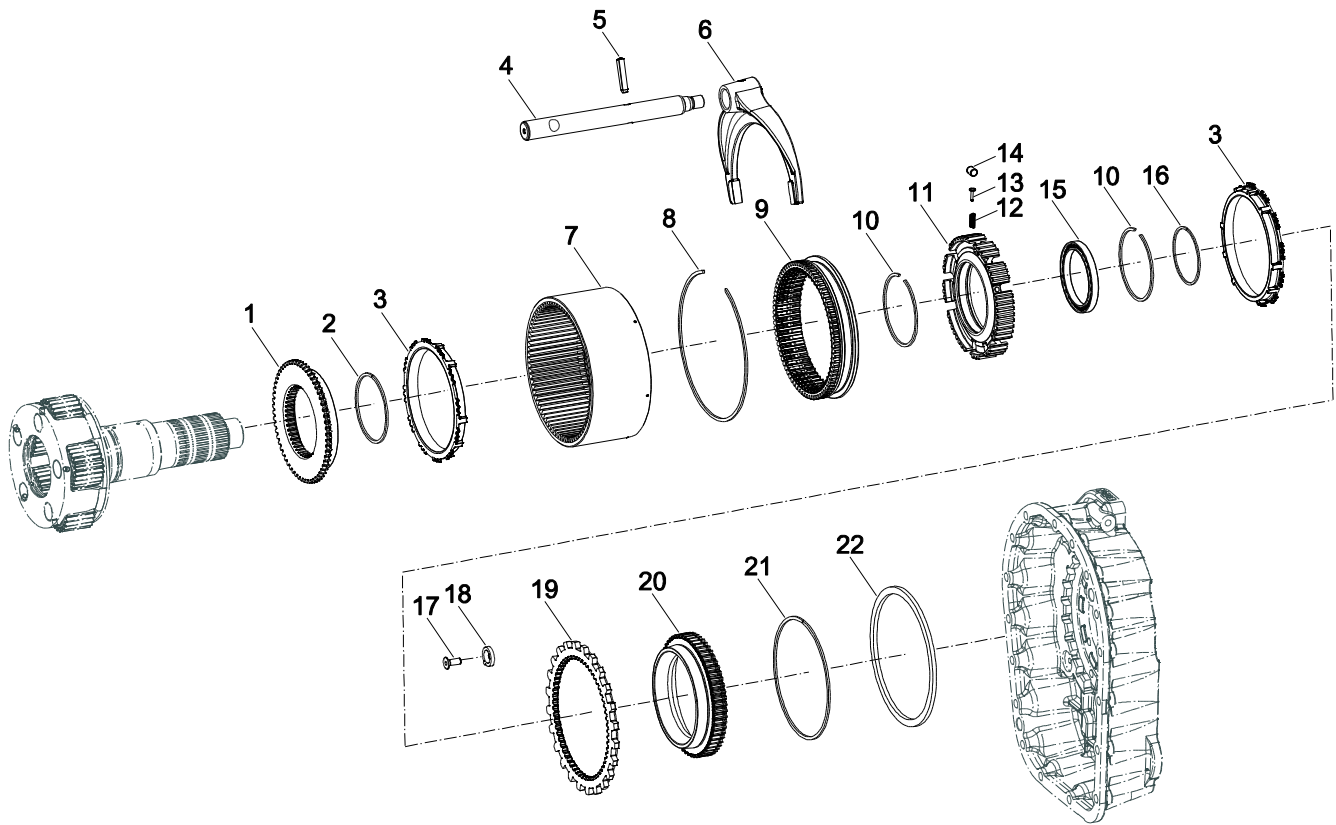
Item	Current Part	Description	Replaced Part	Qty.	Notes	Kits/Assys Where Needed
28	X8870305	NEEDLE BRG.ROLLER ASSY		1		
29	X8872233	NEEDLE ROLLER BRG. ASSY		1		
30	8876477	GEAR MAINSHAFT CRAWLER		1		
31	8880059	SYNCHRO FLANGE CRAWLER		1		
33	X8873994	CIRCLIP SYNCHRO. ASSY.		1		
34	8875604	FIXED HUB REVERSE/CRAWLER		1		
35	8870444	SPRING COMPRESSION		3		
36	8870352	PLUNGER		3		
37	X8870356	ROLLER		3		
38	U8877532	GRADED CIRCLIP PACK		1		
38	X8870378	CIRCLIP-GR.DIA.60 X 2.10 MM		1		
38	X8870379	CIRCLIP-GR.DIA.60 X 2.05 MM		1		
38	X8870380	CIRCLIP-GR.DIA.60 X 2.00 MM		1		
39	8880461	SLIDING SLEEVE		1		
40	8870415	SYNCHRO FLANGE REVERSE		1		
41	8876478	GEAR MAINSHAFT REVERSE		1		
42	X8870178	NEEDLE ROLLER BRG. ASSY		1		
43	X8877164	BEARING REAR MAINSHAFT		1		
44	X8875532	SEALING RING		2		
45	8874921	OIL MUFF		1		
46	8875585	SUN GEAR		1		
47	8880594	RETAINER		1		
48	GX8870699	SCREW		1	M16X45 HEX HD	
49	8874066	RESTRICTOR		1		



TZ0008

PLANET GEAR SPINDLE ASSEMBLY

Item	Current Part	Description	Replaced Part	Qty.	Notes	Kits/Assys Where Needed
0	U8876669	PLANET GEAR SPINDLE ASSY		1	COMPRISES ITEMS 1-6	
1	U8882490	OUTPUT SHAFT ASSY.		1		
2	MX-11-0601	SCREW		5	M6 X 10 SKT HD SET	
3	8872682	SPINDLE-PLANET GEAR		5		
4	8876893	WASHER		10		
5	U8875235	NEEDLE ROLLER BRG. ASSY.		5		
6	8883395	GEAR PLANET	8875586	5		

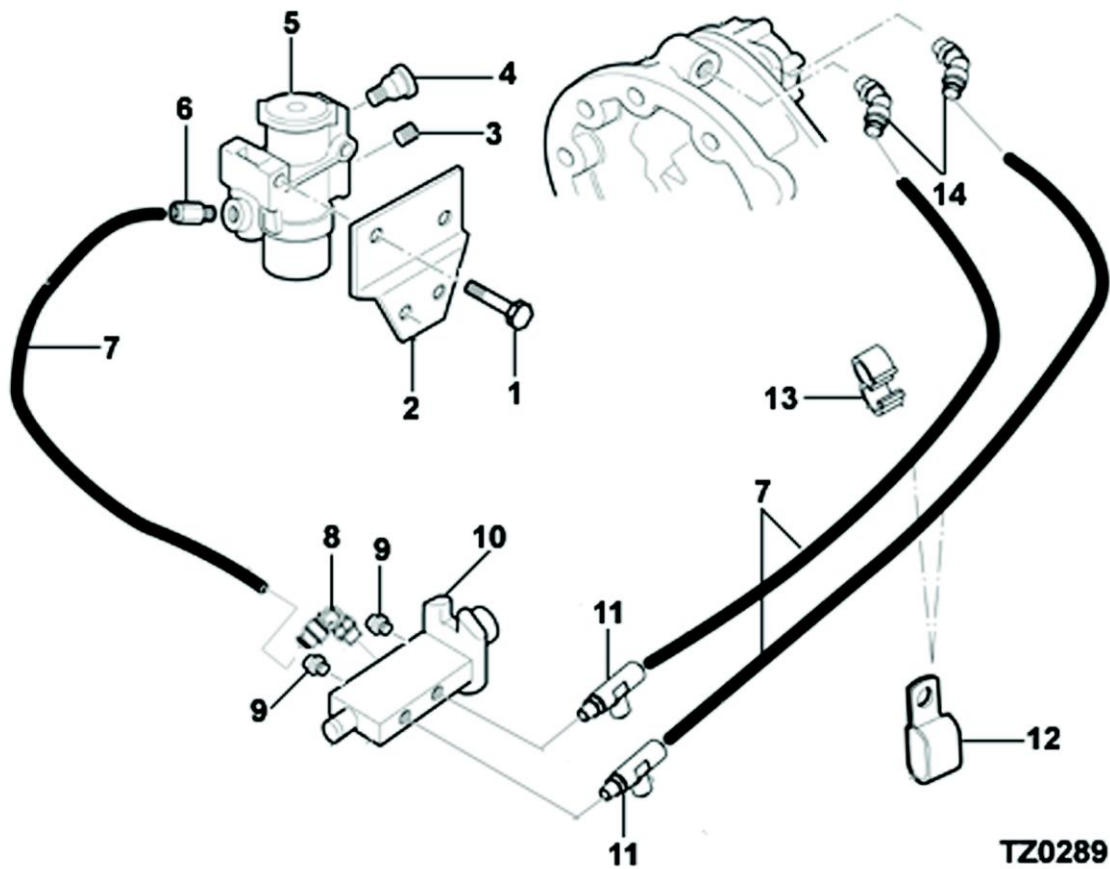


PU0146

RANGE ASSY.

Item	Current Part	Description	Replaced Part	Qty.	Notes	Kits/Assys Where Needed
1	8877323	SYNCHRO FLANGE		1		
2	X8870342	CIRCLIP		1		
3	8877442	SYNCHRO RING - RANGE		2		
4	8872626	HI-LO SHIFT ROD		1		
5	X8878665	DOWEL	X8870726	1		
6	8872737	HIGH/LOW SHIFT FORK	8872737,8883677	1		
7	8872680	ANNULUS		1		
8	X8875296	CIRCLIP		1		
9	8880522	SLIDING SLEEVE		1		
10	X8870341	CIRCLIP		1		

Item	Current Part	Description	Replaced Part	Qty.	Notes	Kits/Assys Where Needed
11	8875881	FIXED HUB		1		
12	8870444	SPRING COMPRESSION		9		
13	8870352	PLUNGER		9		
14	X8870355	ROLLER		9		
15	X8870844	BEARING		1		
16	X8870344	CIRCLIP		1		
17	GMX-8-0806	SCREW		3	M8X20	
18	8870848	RETAINER		3		
19	8875646	REACTION PLATE		1		
20	8877322	SYNCHRO FLANGE		1		
21	X8873993	CIRCLIP		1		
22	8870808	SPACER		1		

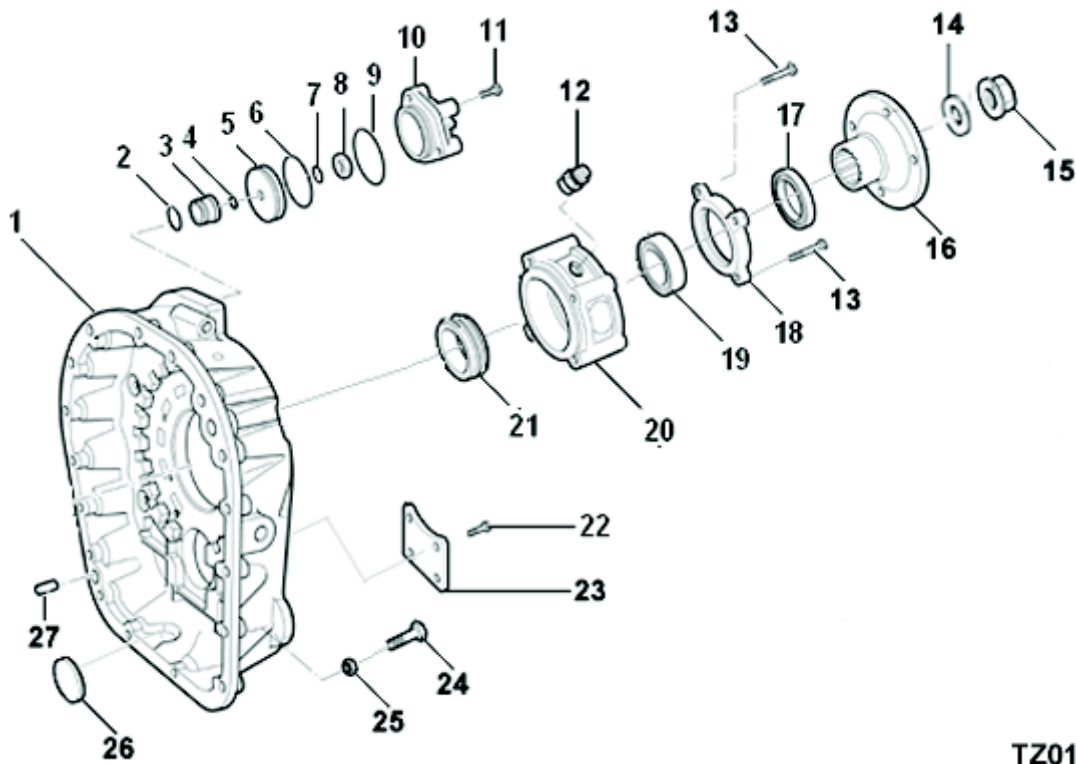


TZ0289

RANGE CONTROL ASSY.

Item	Current Part	Description	Replaced Part	Qty.	Notes	Kits/Assys Where Needed
0	U8880159	RANGE CONTROL ASSY.		1		
1	X8880151	SCREW SPIRAL	GX8880151	2		
2	8880633	MOUNTING BRACKET		1		
3	GX2013517	PIPE PLUG		1	1/8	
4	X8877156	STRAIGHT ADAPTOR		1	3/8 - M10	
5	X8880109	FILTER REGULATOR		1		
6	X8881538	STRAIGHT ADAPTOR		1	6MM	
7	X8881545	NYLON TUBE 6 MM		3		
8	X8880846	ELBOW ARTICULATED		1		
9	X8877525	BREATHER		2	1/8 WITH FLAP	
10	F96387	RANGE VALVE		1		
11	U8881542	SWIVEL TEE ADAPTOR(BSP TO 6MM)		2		

Item	Current Part	Description	Replaced Part	Qty.	Notes	Kits/Assys Where Needed
		TUBE)				
12	GX8880183	PIPE CLIP		1		
13	X8880545	PIPE CLIP - TWIN PIPE		2		
14	X8881544	SWIVEL ELBOW ADAPTOR 45 DEG		2		

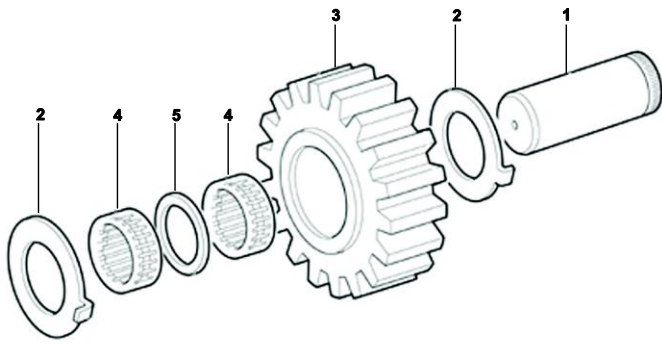


TZ0148

REAR CASE ASSY.

Item	Current Part	Description	Replaced Part	Qty.	Notes	Kits/Assys Where Needed
0	U8880044	REAR CASE ASSY.		1		
1	8874367	REAR CASING		1		
2	X8875292	O-RING		1		
3	8878240	BUSH	8875293	1		
4	X8871258	O-RING		1	DIA.24,5	
5	8875179	PISTON RANGE CYLINDER		1		
6	14344	PISTON O RING		1		
7	14345	PISTON O RING		1		
8	GMX-9-1602	NUT		1	M16	
9	X8873008	O-RING		1		
10	8875430	CYLINDER-RANGE		1		
11	GMX-8-1094	BOLT		3	M10X55 HEX FLG HD	
12	X8877476	IMPULSE TRANSMITTER		1		

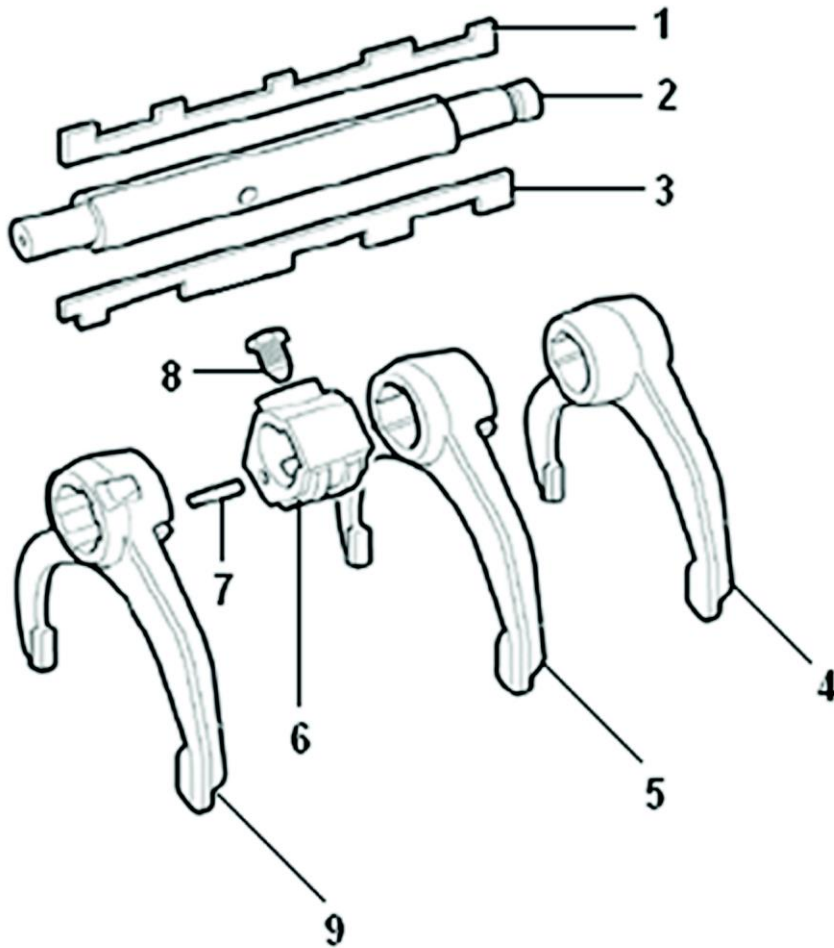
Item	Current Part	Description	Replaced Part	Qty.	Notes	Kits/Assys Where Needed
13	GMX-8-1095	BOLT		3	M10X95 HEX FLG HD	
13	GMX-8-1096	BOLT		1	M10X95 HEX FLG HD	
14	8877047	SPACER		1	77 X 57 X 6	
15	GX8870553	NUT		1		
16	D8877079	COUPLING FLANGE		1		
17	X8872722	OIL SEAL		1		
18	8871992	REAR COVER		1		
19	X8872721	BEARING		1		
20	8874013	SPEEDO HOUSING		1		
21	8882427	ROTOR TACHOGRAPH		1		
22	GMX-8-1240	SCREW		4	M12X25 HEX FLG HD	
23	GX8873917	LAYSHAFT REAR COVER		1		
24	GMX-8-1080	BOLT		14	M10X58	
24	GMX-8-1094	BOLT		1	M10X55 HEX FLG HD	
25	GMX-9-1005	NUT		17	M10X1.5	
26	14373	DISC MAGNET		1		
27	X8870543	DOWEL		2	16,0 DI X 30,5	



TZ0007

REVERSE IDLER SHAFT

Item	Current Part	Description	Replaced Part	Qty.	Notes	Kits/Assys Where Needed
1	8883246	REVERSE IDLER SHAFT		1		
2	8870343	THRUST WASHER		2		
3	8876457	REVERSE IDLER GEAR		1		
4	X8872478	NEEDLE ROLLER BRG		2		
5	8872479	SPACER		1		



PU0009

SELECTOR ASSY.

Item	Current Part	Description	Replaced Part	Qty.	Notes	Kits/Assys Where Needed
0	U8875914	SELECTOR BLOCK		1	INCLUDES 8874754 & X8870277	
1	8872328	SELECTOR KEY		1		
2	8875829	SELECTOR SHAFT H		1		
3	8880759	INTERLOCK KEY		1		
4	8875499	FORK CRAWLER/REVERSE		1		
5	8880760	FORK 1ST/2ND		1		
6	8874754	SELECTOR BLOCK		1		
7	X8870277	DOWEL		1		
8	8873691	SCREW		1	M10X23 HEX HD	
9	8875497	FORK 3RD/4TH		1		

Copyright Eaton Corporation, 2009.
Eaton hereby grants their customers,
vendors, or distributors permission to
freely copy, reproduce and/or distribute
this document in printed format. It may
be copied only in its entirety without
any changes or modifications. THIS
INFORMATION IS NOT INTENDED FOR
SALE OR RESALE, AND THIS NOTICE
MUST REMAIN ON ALL COPIES.

