



Powering Business Worldwide

Illustrated Parts List

Y07121

November 2015

Contents

How To Use The Illustrated Parts List	3
FRONT BEARING COVER ASSY.	4
FRONT CASE ASSY.....	5
INPUT SHAFT ASSY.....	7
INTEGRATED AIR SYSTEM.....	8
INTERMEDIATE CASE ASSY.....	10
LAYSHAFT ASSY.	12
LRC ASSEMBLY	14
MAINSHAFT ASSY.....	16
PLANET GEAR SPINDLE ASSY.	19
RANGE ASSY.....	20
REAR CASE ASSY.	22
REVERSE IDLER SHAFT.....	24
SELECTOR ASSY.	25

How To Use The Illustrated Parts List

The information contained in this document is subject to frequent updates. Therefore, for the latest information available, please visit the interactive Electronic Parts Catalog at <http://www.eaton.com/EatonCom/TruckEurope/TruckEurope/index.htm>

Model Designation and Nomenclature

- For information regarding Model Designation and Nomenclature, visit <http://www.eaton.com/EatonCom/TruckEurope/TruckEurope/index.htm>

Kits and Assemblies (K/A's)

- Kits or Assemblies contain groups of individual or assembled parts specially developed for optimal replacement during repair.
- Kits and Assemblies are shown with applicable parts groupings in the parts listings.

Identifying Kits and Assemblies

A- Part numbers beginning with the letter 'A' are pre-assembled Production Assemblies

K- Part numbers beginning with the letter 'K' are kits that are not assembled

T - Part numbers beginning with the letter 'T' are kits that are not assembled

S- Part numbers beginning with the letter 'S' are pre-assembled Service Assemblies

- Note: Some Production Assemblies do not begin with a letter prefix (Midrange only).

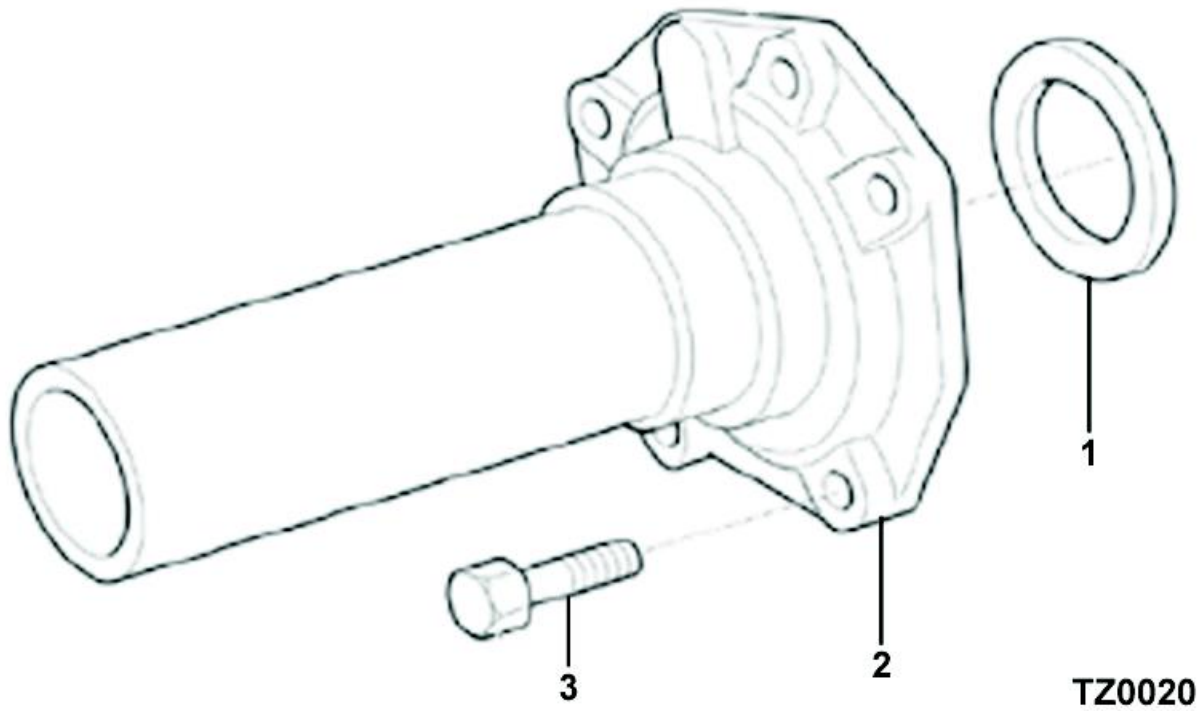
Illustrations

- Illustrations show parts in assembly groups.
- Item numbers on illustrations correspond with parts listings adjacent to the illustration.(on the same or adjacent page)
- Notes are included on illustrations where additional information is needed.

Parts Listing

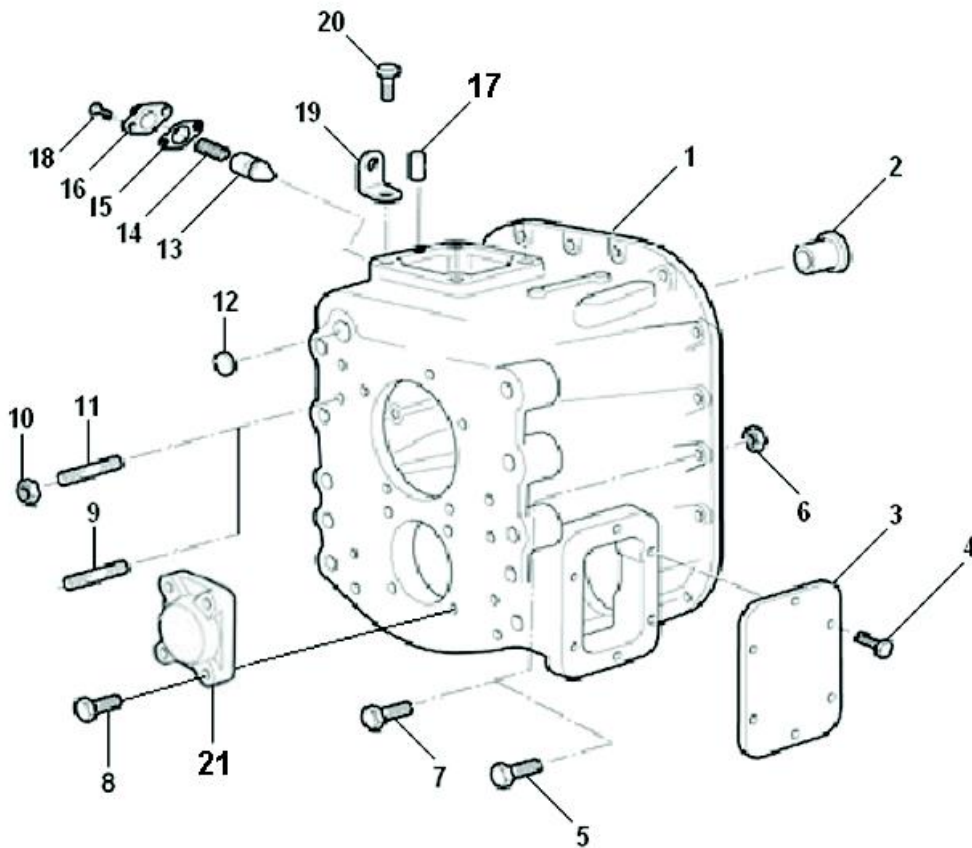
Parts listings are defined by parts groupings and are broken down by service assemblies. Parts listings identify a part for servicing with the following categories

- **ITEM** - Number corresponds to number on illustration for part identification.
- **CURRENT PART** - part number of the part available for service.
- **DESCRIPTION** - part name or description.
- **REPLACED PART** - number of replaced part.
- **QTY** - Quantity required for assembly.
- **NOTES** - unique characteristics or requirements.
- **KITS / ASSYS WHERE NEEDED** - kits or assemblies that contain the part.



FRONT BEARING COVER ASSY.

Item	Current Part	Description	Replaced Part	Qty.	Notes	Kits/Assys Where Needed
0	U8876886	FRONT BEARING COVER ASSY.		1		
1	X8870760	OIL SEAL		1		
2	8876885	FRONT BEARING COVER		1		
3	GMX-8-1089	SCREW		5	M10X25 HEX FLG HD	

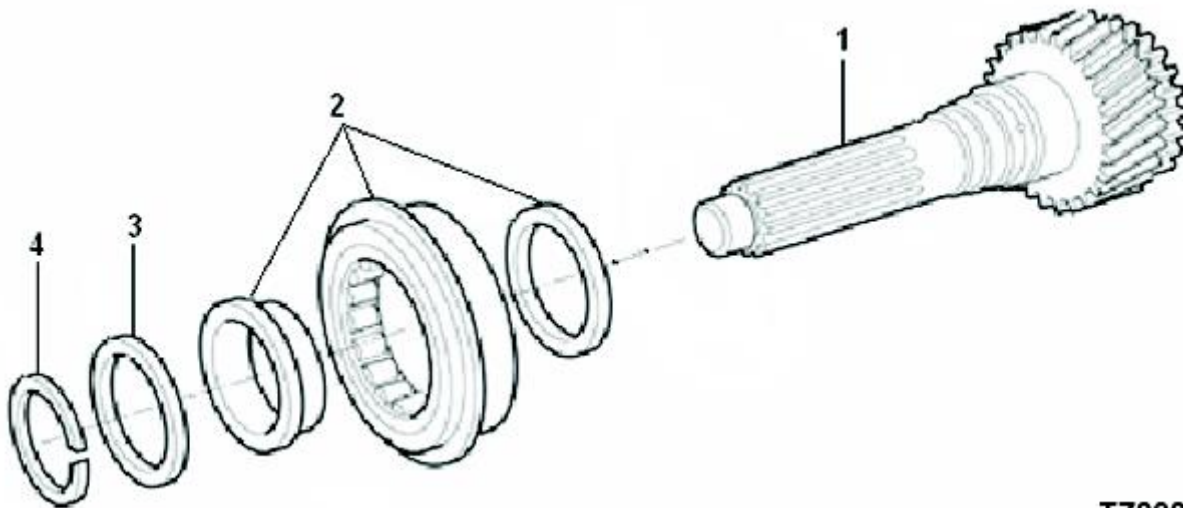


TZ0726

FRONT CASE ASSY

Item	Current Part	Description	Replaced Part	Qty.	Notes	Kits/Assys Where Needed
0	U8882045	FRONT CASE ASSY.		1		
1	8881835	FRONT CASING		1		
2	8883756	BUSH	8882415	1	FOR MAIN SELECTOR SHAFT	
3	GX8881616	PTO PROVISION COVER		1		
4	GMX-8-1088	SCREW		6	M12X25 HEX FLG HD	
5	GMX-8-1079	BOLT		4	M10X40	
6	GMX-9-1005	NUT		14	M10X1.5	
7	GMX-8-10110	BOLT		1		
7	GMX-8-1080	BOLT		13	M10X58	

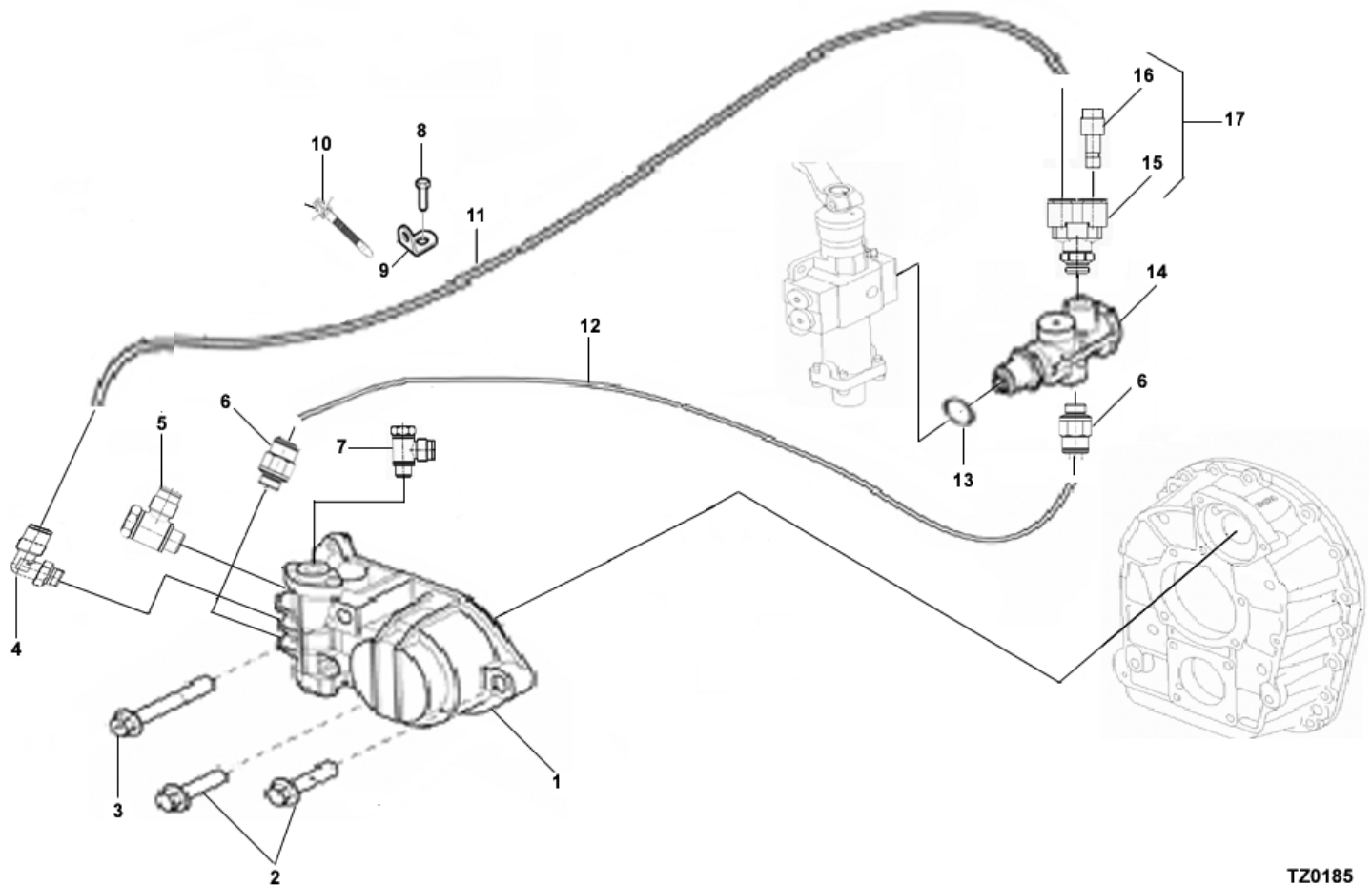
Item	Current Part	Description	Replaced Part	Qty.	Notes	Kits/Assys Where Needed
8	GMX-8-1240	SCREW		4	M12X25 HEX FLG HD	
9	GX8874699	STUD		2	M12X65 LONG	
10	GMX-9-1204	NUT		12	M12	
11	GX8873931	STUD		10	M12X45 LONG	
12	GX8870278	CUP PLUG		1		
13	8873654	PLUNGER-NEUTRAL		1		
14	8871098	SPRING COMPRESSION		1		
15	8870590	GASKET		1		
16	GX8870259	DETENT COVER		1		
17	X8870542	DOWEL		2	8,0 DIA X 16	
18	GMX-8-0819	SCREW	GMX-8-0801	2	M8 X 16	
19	GX20815	LIFTING EYE		1		
20	GMX-8-1091	SCREW		4	M10X30 HEX FLG HD	
21	GX8880554	BEARING COVER LAYSHAFT		1		



TZ0003

INPUT SHAFT ASSY.

Item	Current Part	Description	Replaced Part	Qty.	Notes	Kits/Assys Where Needed
0	U8883200	INPUT SHAFT ASSY.		1		
1	8883171	INPUT SHAFT		1		
2	X8872593	INPUT SHAFT BEARING		1		
3	8877692	SPACER - GRADED 3.10		1	PACK: U8877691	
3	8877693	SPACER - GRADED 3.15		1	PACK: U8877691	
3	8877694	SPACER - GRADED 3.20		1	PACK: U8877691	
3	8877695	SPACER - GRADED 3.25		1	PACK: U8877691	
3	8877696	SPACER - GRADED 3.30		1	PACK: U8877691	
3	8877697	SPACER - GRADED 3.35		1	PACK: U8877691	
3	8877698	SPACER - GRADED 3.40		1	PACK: U8877691	
3	8877699	SPACER - GRADED 3.45		1	PACK: U8877691	
3	8877700	SPACER - GRADED 3.50		1	PACK: U8877691	
3	U8877691	SPACER - GRADED PACK		1		
4	X8877706	CIRCLIP		1		

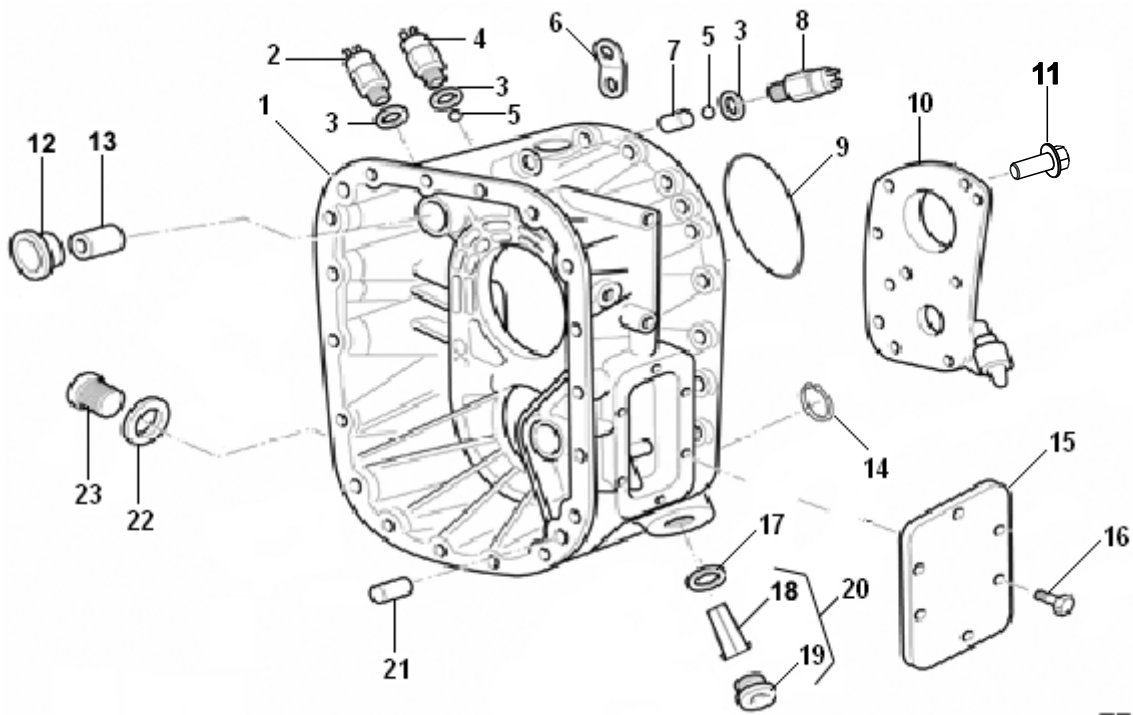


TZ0185

INTEGRATED AIR SYSTEM

Item	Current Part	Description	Replaced Part	Qty.	Notes	Kits/Assys Where Needed
0	U8883224	INTEGRATED RANGE CONTROL ASSY.		1		
1	X8882464	INTEGRATED AIR VALVE PNEUMATIC	INCLUDING X8883045 IAS SEALING	1		
2	GMX-8-1047	SCREW		2	M10 X 35 HEX.FLG.HD	
3	GMX-8-1087	BOLT		1	M10 X 70	
4	X8880846	ELBOW ARTICULATED		1		
5	U8883018	BANJO ADAPTOR		1	G1/4 TO 6MM TUBE	
6	X8881538	STRAIGHT ADAPTOR		2	6MM	
7	U8883024	BANJO ADAPTOR		1	G1/8 TO 4MM TUBE	
8	GMX-8-1088	SCREW		1	M12X25 HEX FLG HD	
9	8882665	AIR PIPES		6		

Item	Current Part	Description	Replaced Part	Qty.	Notes	Kits/Assys Where Needed
10	X8882970	CLAMP HOSE		6		
11	X8881545	NYLON TUBE 6 MM		1		
12	X8881545	NYLON TUBE 6 MM		1		
13	5568510	O-RING		1		
14	X8880054	3/2 POPPET VALVE		1		
15	X8882465	STRAIGHT DOUBLE ADAPTOR		1	G1/8	
16	X8881541	STRAIGHT ADAPTOR		1	6 MM TO 4 MM TUBE	
17	U8882472	STRAIGHT SPLITER ADAPTOR		1		

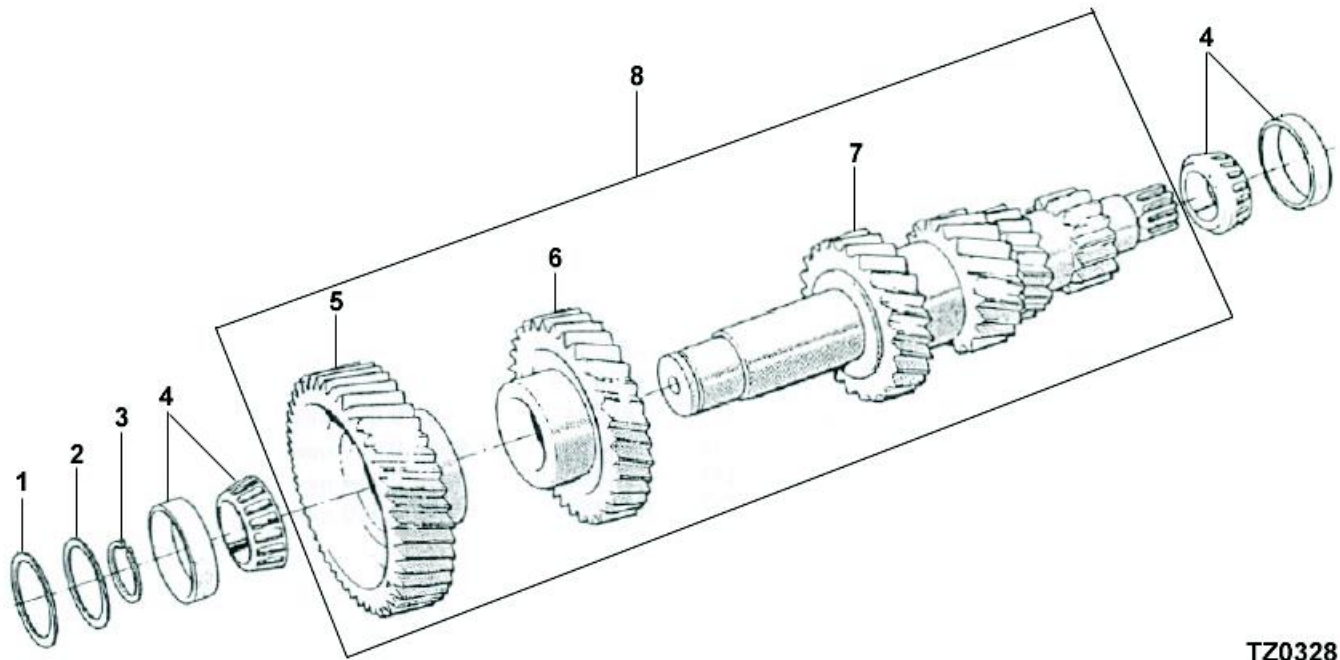


TZ0607

INTERMEDIATE CASE ASSY.

Item	Current Part	Description	Replaced Part	Qty.	Notes	Kits/Assys Where Needed
0	T21228	SERVICE KIT OIL STRAINER/ WASHER		1	INCLUDES 8876351, GX8876352 & X8880469	
0	U8876645	INTERMEDIATE CASE ASSY		1		
1	8876644	INTERMEDIATE CASE		1		
2	GX2771532	SWITCH REVERSE / RANGE		1		
3	5568510	O-RING		3		
4	8880185	SWITCH -NORMALLY OPEN		1		
5	X8870711	BALL		2	DIA.14	
6	GX8874026	LIFTING EYE		1		
7	8875267	PIN INTERLOCK		1		
8	GX2771532	SWITCH REVERSE / RANGE		1		
9	X8881475	O-RING		1	(109,5X3,0)	
10	U8883824	OIL PUMP	GU8875469	1		
11	GMX-8-1089	SCREW		8	M10X25 HEX FLG HD	

Item	Current Part	Description	Replaced Part	Qty.	Notes	Kits/Assys Where Needed
12	8883756	BUSH	8882415	1	FOR MAIN SELECTOR SHAFT	
13	X8871377	BUSH		1		
14	X8881424	CIRCLIP		1		
15	GX8881616	PTO PROVISION COVER		1		
16	GMX-8-1088	SCREW		6	M12X25 HEX FLG HD	
17	X8880469	WASHER-OIL STRAINER / DRAIN		1		T21228
18	8876351	STRAINER-OIL		1		
19	GX8876352	PLUG OIL STRAINER		1		
20	U8876353	OIL STRAINER ASSY.		1		T21228
21	X8870543	DOWEL		2	16,0 DI X 30,5	
22	X8880519	WASHER-FILL/DRAIN FL		1		
23	GX8874941	OIL FILLER PLUG		1	M24	

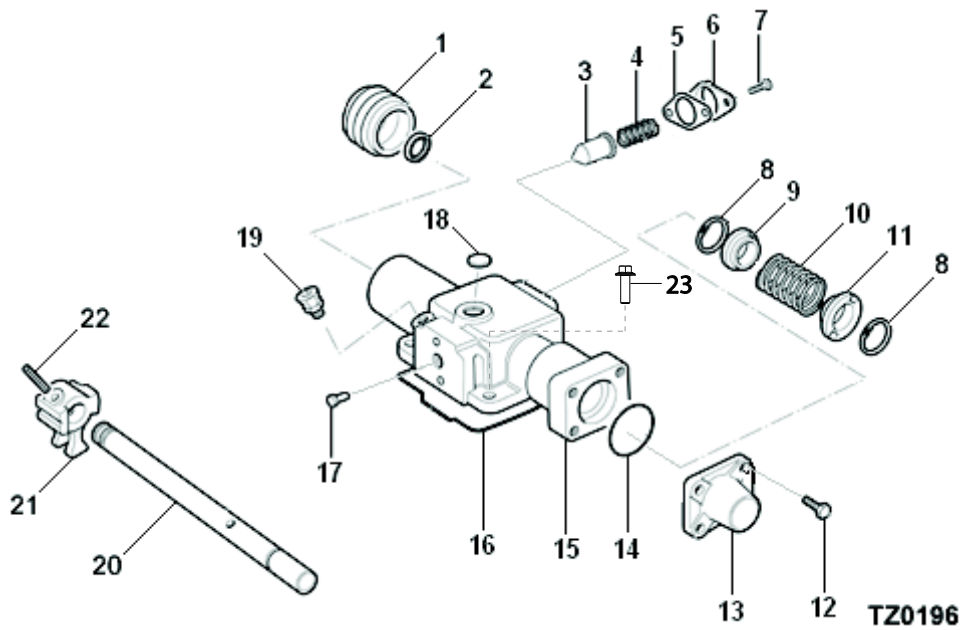


TZ0328

LAYSHAFT ASSY.

Item	Current Part	Description	Replaced Part	Qty.	Notes	Kits/Assys Where Needed
1	8875879	SPACER		1		
2	F88891	SHIM		1	S=0,051	
2	F88892	SHIM		1	S=0,127	
2	F88893	SHIM		1	S=0,254	
2	F88894	SHIM		1	S=0,508	
2	U8877535	SHIM PACK		1		
2	X8882272	SHIM		1	S=1,200	
3	U8877534	CIRCLIP GRADED PACK		1		
3	X8870370	GR.C/CLIP 40 DIA. X 2.12 MM		1	PACK: U8877534	
3	X8870371	GR.C/CLIP 40 DIA. X 2.07 MM		1	PACK: U8877534	
3	X8870372	GR.C/CLIP 40 DIA X 2.02 MM		1	PACK: U8877534	
3	X8871536	GR.C/CLIP 40 DIA. X 1.97 MM		1	PACK: U8877534	
3	X8871537	GR.C/CLIP 40 DIA. X 1.92 MM		1	PACK: U8877534	
3	X8871538	GR.C/CLIP 40 DIA. X 1.87 MM		1	PACK: U8877534	

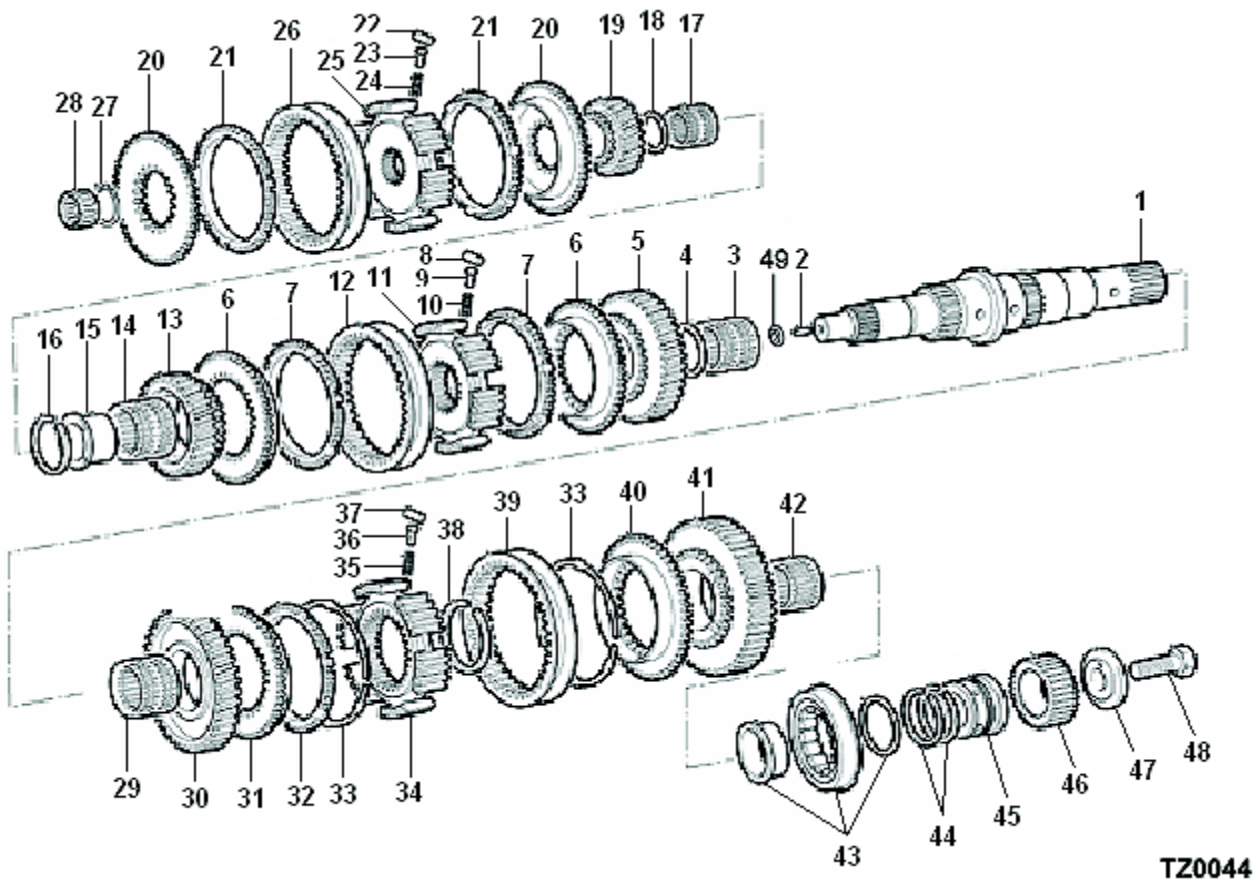
Item	Current Part	Description	Replaced Part	Qty.	Notes	Kits/Assys Where Needed
3	X8871539	GR.C/CLIP 40 DIA. X 1.82 MM		1	PACK: U8877534	
3	X8871540	GR.C/CLIP 40 DIA. X 1.77 MM		1	PACK: U8877534	
4	X8880820	BEARING ASSEMBLY		2		
5	8877975	GEAR LAYSHAFT DRIVE		1		
6	8880741	GEAR LAYSHAFT 3RD		1		
7	8876947	LAYSHAFT		1		
8	U8880746	LAYSHAFT ASSEMBLY		1		



LRC ASSEMBLY

Item	Current Part	Description	Replaced Part	Qty.	Notes	Kits/Assys Where Needed
0	U8881057	LRC ASSY RHV		1		
1	X8875259	BOOT		1		
2	X8881481	OIL SEAL		1		
3	8875415	PLUNGER - DETENT		1		
4	8880622	SPRING COMPRESSION		1		
5	8870590	GASKET		1		
6	GX8870259	DETENT COVER		1		
7	GMX-8-0848	SCREW		2		
8	X8874450	CIRCLIP		2	25.DIA	
9	8876566	SPRING RETAINER-BOOSTER		1		
10	8871395	SPRING COMPRESSION		1		
11	8876567	SPRING RETAINER-BIAS		1		
12	GMX-8-0847	SCREW		4		
13	8880477	END CAP		1		
14	X8880639	O-RING		1		
15	U8880694	LRC SUB ASSY		1		

Item	Current Part	Description	Replaced Part	Qty.	Notes	Kits/Assys Where Needed
16	8880638	SEAL		1		
17	8871375	SWITCH ACTIVATOR PIN		1		
18	GX8871486	EXPANSION PLUG		1		
19	X2014210	BREATHER		1		
20	8876410	SHIFT ROD		1		
21	8877656	LEVER INNER STRIKING		1		
22	X8871378	DOWEL		1	10,0 DIA X 44	
23	GMX-8-1091	SCREW		4	M10X30 HEX FLG HD	



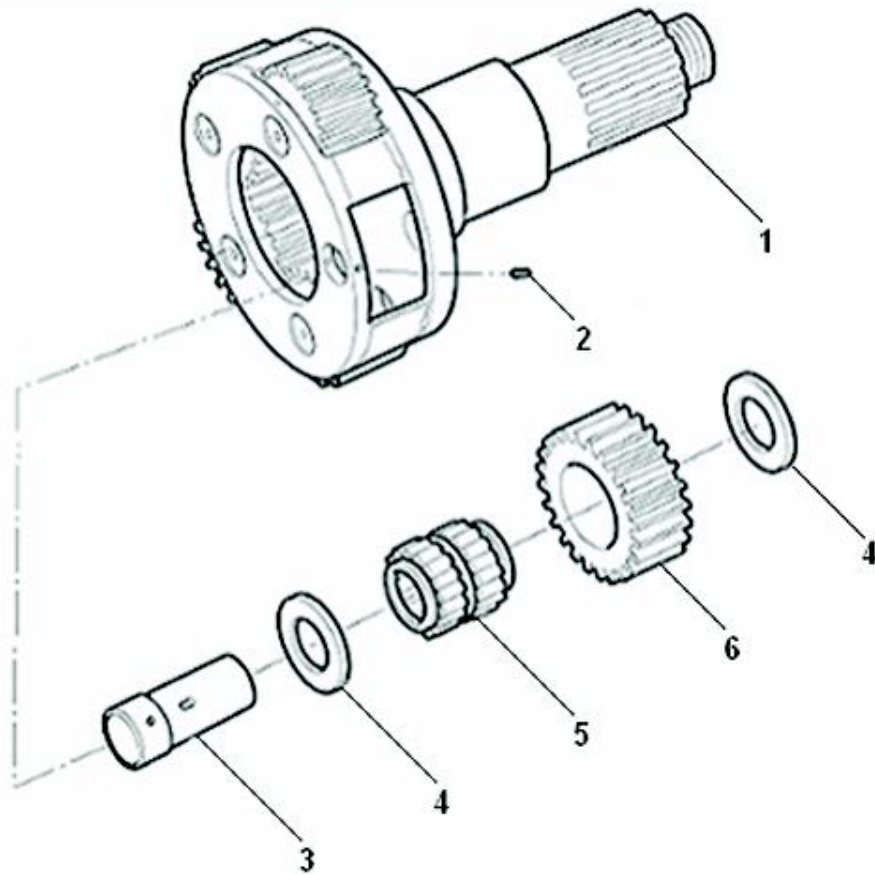
TZ0044

MAINSHAFT ASSY.

Item	Current Part	Description	Replaced Part	Qty.	Notes	Kits/Assys Where Needed
0	U8883322	MAINSHAFT ASSY.		1		
1	U8883321	MAINSHAFT		1		
2	X14851	DOWEL		1	5/16 DI X 1.50	
3	X8870177	NEEDLE ROLLER BRG. ASSY		1		
4	8872589	GEAR SPACER 1ST		1		
5	8876948	GEAR MAINSHAFT 1ST		1		
6	8883043	SYNCHRO FLANGE		2		
7	8883044	SYNCHRO RING		2		
8	X8870356	ROLLER		3		
9	8870352	PLUNGER		3		
10	8870444	SPRING COMPRESSION		3		
11	8875571	HUB-FIXED, 1ST/2ND		1		

Item	Current Part	Description	Replaced Part	Qty.	Notes	Kits/Assys Where Needed
12	8880460	SLIDING SLEEVE		1		
13	8876949	GEAR MAINSHAFT 2ND		1		
14	X8870177	NEEDLE ROLLER BRG. ASSY		1		
15	8882868	SLEEVE MAINSHAFT BEARING		1		
16	U8882558	GRADED CIRCLIP PACK		1		
16	X8870534	GR.CIRCLIP 46 DIA. X 2.10 MM		1	PACK: U8882558	
16	X8870535	GR.CIRCLIP 46 DIA. X 2.05 MM		1	PACK: U8882558	
16	X8870536	GR.CIRCLIP 46 DIA. X 2.00 MM		1	PACK: U8882558	
16	X8883040	CIRCLIP GRADED 46 DIA X2.15 MM		1	PACK: U8882558	
16	X8883041	CIRCLIP GRADED 46 DIA X 2.20 MM		1	PACK: U8882558	
17	X8875276	NEEDLE BEARING		1		
18	8872588	GEAR SPACER 4TH		1		
19	8880740	GEAR MAINSHAFT 3RD		1		
20	8883043	SYNCHRO FLANGE		2		
21	8883044	SYNCHRO RING		2		
22	X8870356	ROLLER		3		
23	8870352	PLUNGER		3		
24	8870444	SPRING COMPRESSION		3		
25	8875554	FIXED HUB 3RD/4TH		1		
26	8880460	SLIDING SLEEVE		1		
27	U8877531	GRADED CIRCLIP PACK		1		
27	X8870370	GR.C/CLIP 40 DIA. X 2.12 MM		1		
27	X8870371	GR.C/CLIP 40 DIA. X 2.07 MM		1		
27	X8870372	GR.C/CLIP 40 DIA X 2.02 MM		1		
28	X8870305	NEEDLE BRG.ROLLER ASSY		1		
29	X8870177	NEEDLE ROLLER BRG. ASSY		1		

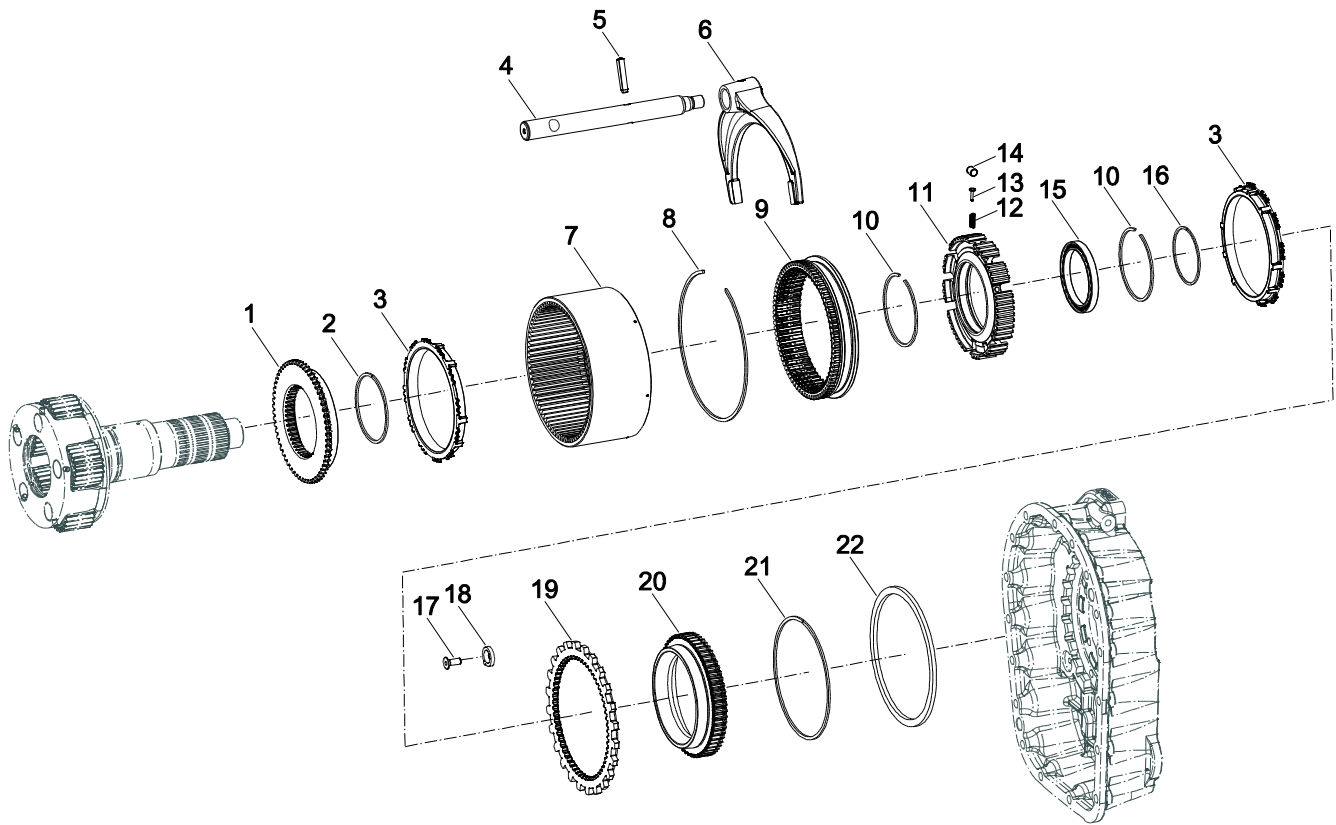
Item	Current Part	Description	Replaced Part	Qty.	Notes	Kits/Assys Where Needed
30	8876477	GEAR MAINSHAFT CRAWLER		1		
31	8877316	SYNCHRO FLANGE		1		
32	8877313	SYNCHRO RING		1		
33	X8873994	CIRCLIP SYNCHRO. ASSY.		1		
34	8875604	FIXED HUB REVERSE/CRAWLER		1		
35	8870444	SPRING COMPRESSION		3		
36	8870352	PLUNGER		3		
37	X8870356	ROLLER		3		
38	U8877532	GRADED CIRCLIP PACK		1		
38	X8870378	CIRCLIP-GR.DIA.60 X 2.10 MM		1		
38	X8870379	CIRCLIP-GR.DIA.60 X 2.05 MM		1		
38	X8870380	CIRCLIP-GR.DIA.60 X 2.00 MM		1		
39	8880461	SLIDING SLEEVE		1		
40	8870415	SYNCHRO FLANGE REVERSE		1		
41	8876478	GEAR MAINSHAFT REVERSE		1		
42	X8870178	NEEDLE ROLLER BRG. ASSY		1		
43	X8877164	BEARING REAR MAINSHAFT		1		
44	X8875532	SEALING RING		2		
45	8883434	OIL MUFF		1		
46	8883394	SUN GEAR		1		
47	8880594	RETAINER		1		
48	GX8870699	SCREW		1	M16X45 HEX HD	
49	8876298	RESTRICTOR		1		



TZ0008

PLANET GEAR SPINDLE ASSY.

Item	Current Part	Description	Replaced Part	Qty.	Notes	Kits/Assys Where Needed
0	U8883472	PLANET GEAR SPINDLE ASSY.		1		
1	U8883331	OUTPUT SHAFT ASSY		1		
2	MX-11-0601	SCREW		5	M6 X 10 SKT HD SET	
3	8883312	SPINDLE		5		
4	8876893	WASHER		10		
5	U8875235	NEEDLE ROLLER BRG. ASSY.		5		
6	8883395	GEAR PLANET		5		

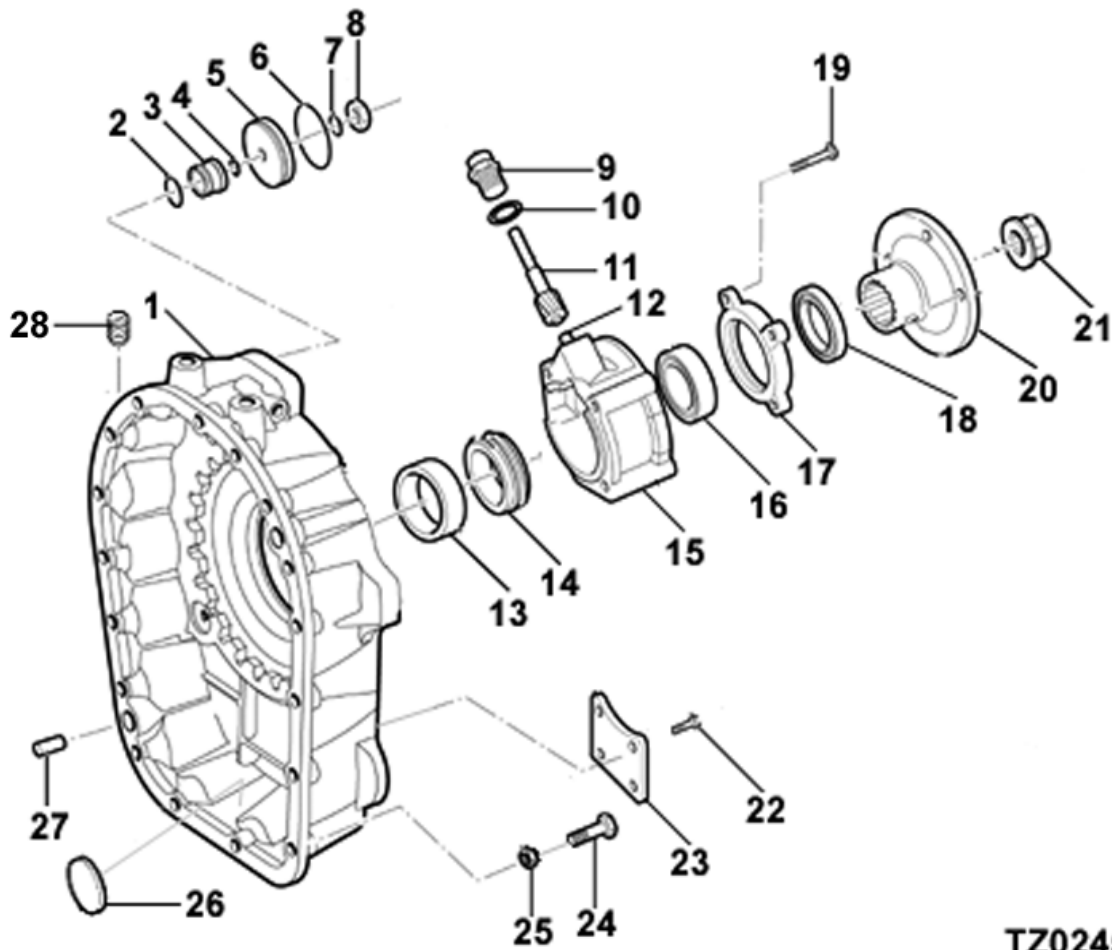


PU0146

RANGE ASSY.

Item	Current Part	Description	Replaced Part	Qty.	Notes	Kits/Assys Where Needed
1	8877323	SYNCHRO FLANGE		1		
2	X8870342	CIRCLIP		1		
3	8877442	SYNCHRO RING - RANGE		2		
4	8872626	HI-LO SHIFT ROD		1		
5	X8878665	DOWEL	X8870726	1	ECO-0015293	
6	8872737	HIGH/LOW SHIFT FORK	8872737,8883677	1		
7	8872680	ANNULUS		1		
8	X8875296	CIRCLIP		1		
9	8880522	SLIDING SLEEVE		1		
10	X8870341	CIRCLIP		1		

Item	Current Part	Description	Replaced Part	Qty.	Notes	Kits/Assys Where Needed
11	8875881	FIXED HUB		1		
12	8870444	SPRING COMPRESSION		9		
13	8870352	PLUNGER		9		
14	X8870355	ROLLER		9		
15	X8870844	BEARING		1		
16	X8870344	CIRCLIP		1		
17	GMX-8-0806	SCREW		3	M8X20	
18	8870848	RETAINER		3		
19	8875646	REACTION PLATE		1		
20	8877322	SYNCHRO FLANGE		1		
21	X8873993	CIRCLIP		1		
22	8870808	SPACER		1		

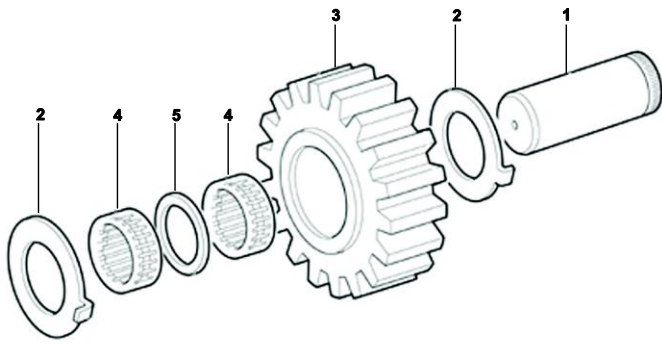


TZ0245

REAR CASE ASSY.

Item	Current Part	Description	Replaced Part	Qty.	Notes	Kits/Assys Where Needed
0	U8882338	REAR CASING		1		
1	8882337	REAR CASING		1		
2	X8875292	O-RING		1		
3	8878240	BUSH	8875293	1		
4	X8871258	O-RING		1	DIA.24,5	
5	8875179	PISTON RANGE CYLINDER		1		
6	14344	PISTON O RING		1		
7	14345	PISTON O RING		1		
8	GMX-9-1602	NUT		1	M16	
9	8873787	ADAPTOR		1		
10	X8880471	WASHER		1		

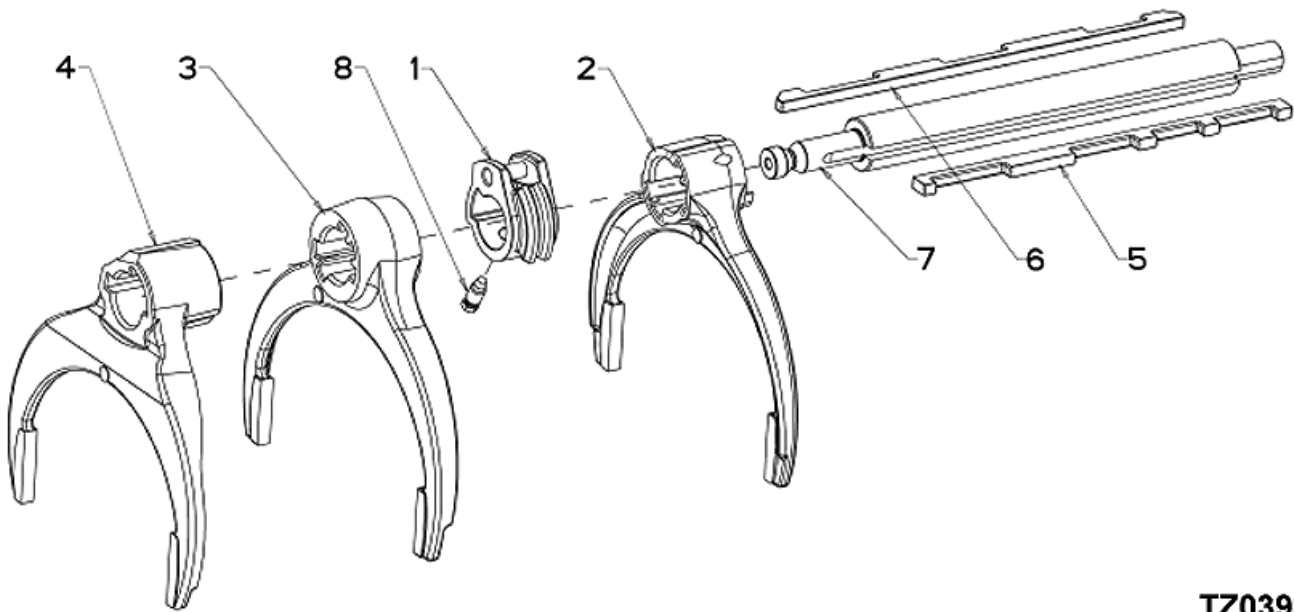
Item	Current Part	Description	Replaced Part	Qty.	Notes	Kits/Assys Where Needed
11	8874006	SPEEDO PINION		1		
12	7992	BUSH		1		
13	8877120	SPACER TACHO		1		
14	8877121	GEAR SPEEDO DRIVE 6TH		1		
15	8873133	REAR COVER SPEEDO		1		
16	X8872721	BEARING		1		
17	8871992	REAR COVER		1		
18	X8872722	OIL SEAL		1		
19	GMX-8-1095	BOLT		3	M10X95 HEX FLG HD	
19	GMX-8-1096	BOLT		1	M10X95 HEX FLG HD	
20	GX8883523	COUPLING FLANGE		1		
21	GX8870553	NUT		1		
22	GMX-8-1240	SCREW		4	M12X25 HEX FLG HD	
23	GX8873917	LAYSHAFT REAR COVER		1		
24	GMX-8-10111	BOLT		1	M10X65 HEX FLG HD	
24	GMX-8-1080	BOLT		14	M10X58	
24	GMX-8-1094	BOLT		1	M10X55 HEX FLG HD	
25	GMX-9-1005	NUT		17	M10X1.5	
26	14373	DISC MAGNET		1		
27	X8870543	DOWEL		2	16,0 DI X 30,5	
28	GMX-8-0857	PLUG		1	M8 X 1.25	



TZ0007

REVERSE IDLER SHAFT

Item	Current Part	Description	Replaced Part	Qty.	Notes	Kits/Assys Where Needed
1	8883246	REVERSE IDLER SHAFT		1		
2	8870343	THRUST WASHER		2		
3	8880489	GEAR REVERSE IDLER		1		
4	X8872478	NEEDLE ROLLER BRG		2		
5	8872479	SPACER		1		



TZ0393

SELECTOR ASSY.

Item	Current Part	Description	Replaced Part	Qty.	Notes	Kits/Assys Where Needed
0	U8875941	SELECTOR ASSY.		1		
1	U8875914	SELECTOR BLOCK		1	INCLUDES 8874754 & X8870277	
2	8882631	FORK 3RD/4TH		1		
3	8880760	FORK 1ST/2ND		1		
4	8875499	FORK CRAWLER/REVERSE		1		
5	8872328	SELECTOR KEY		1		
6	8880759	INTERLOCK KEY	8872327	1		
7	8882443	SELECTOR SHAFT	8875827	1		
8	8873691	SCREW		1	M10X23 HEX HD	

Copyright Eaton Corporation, 2009.
Eaton hereby grants their customers,
vendors, or distributors permission to
freely copy, reproduce and/or distribute
this document in printed format. It may
be copied only in its entirety without
any changes or modifications. THIS
INFORMATION IS NOT INTENDED FOR
SALE OR RESALE, AND THIS NOTICE
MUST REMAIN ON ALL COPIES.

