

DURA-BLOK™ rooftop supports

BRTS-18

B-LINE
SERIES

DURA-BLOK™

A complete rooftop support solution

EATON

Powering Business Worldwide

DURA-BLOK™ rooftop solutions support



DURA-BLOK™ supports are made of 100% recycled rubber and are designed to provide an economical way to support pipes, HVAC systems, rooftop walkway systems, ducting, conduit, cable tray, and more.

FEATURES & BENEFITS

- Made from 100% recycled rubber
- Qualifies for LEED credits
- Reflective strip on both sides allow for easy product visibility
- Channel is through bolted on all sizes for added strength
- 1" gap between blocks allows water to flow freely around longer assemblies
- No roof penetration required
- Product composition is not sharp or abrasive; helping to extend the roof life
- Resistant to freeze/thaw
- Dampens vibration
- No need for supplemental rubber pad
- Will not float or blow away
- UV resistant
- Suitable for any type roofing material or other flat surface
- For sloped roofs see adjustable hinge fitting (B634)
- Open ends allows for easier adjustments to DBE, DBR, and DBM series
- Drainage channel through center of block

Components & accessories



CLDP10 Load Distribution Plate

Material - steel (3.0mm)

Increases ultimate uniform load capacity on DBE & DBR Series supports to 500 lbs. (2.22kN)

UPC/Part #	Cat. #	Thickness	Width	Length	Weight Each
782051 36110	CLDP10	11 Ga. (3.0mm)	1 1/8" (41mm)	9.5" (241mm)	0.53 (0.24kg)

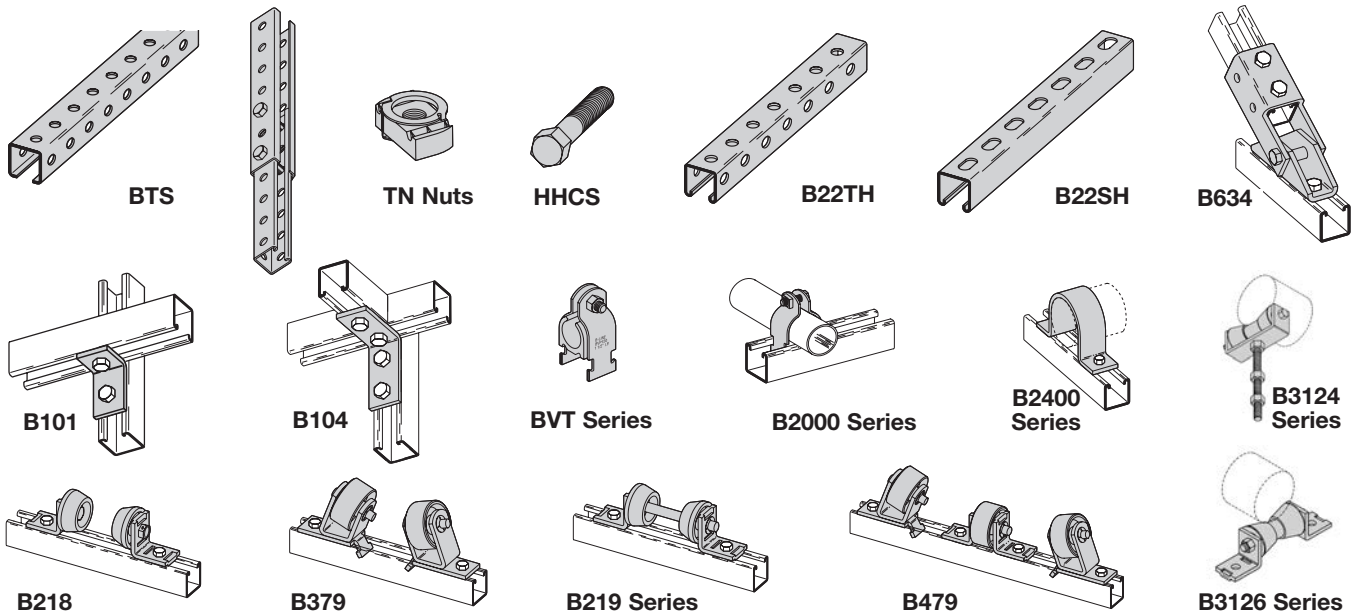


Loosen hex nuts and slide plate under the flat washers



Retighten the hex nuts with plate in place

Compatible components



See Eaton's B-Line series Strut Systems Catalog for more information.

Rooftop applications



DB Series

Base with Galv. Channel - 1" (25.4mm) high

Dimensions - 5" (127mm) High x 6" (152mm) Wide x Length (overall length)

Ultimate Load Capacity - (uniform load) *

DB5 = 200 lbs. (0.89kN)
 DB10 = 500 lbs. (2.22kN)
 DB20 = 1,000 lbs. (4.45kN)

DB30 = 1,500 lbs. (6.67kN)
 DB40 = 2,000 lbs. (8.89kN)
 DB48 = 2,500 lbs. (11.12kN)

UPC/Part #	Cat. #	Height	Width	Overall Length	Weight Each
782051 50035	DB5	5" (127mm)	6" (152mm)	4.8" (122mm)	2.75 (1.25kg)
782051 49972	DB10	5" (127mm)	6" (152mm)	9.6" (244mm)	5.28 (2.39kg)
782051 49974	DB20	5" (127mm)	6" (152mm)	20.2" (513mm)	10.63 (4.82kg)
782051 50021	DB30	5" (127mm)	6" (152mm)	30.8" (782mm)	15.99 (7.25kg)
782051 50022	DB40	5" (127mm)	6" (152mm)	41.4" (1052mm)	21.34 (9.68kg)
782051 50023	DB48	5" (127mm)	6" (152mm)	52.0" (1321mm)	26.70 (12.4kg)



DB6 Series

Base with Galv. Channel - 2⁷/₁₆"W (62mm) high

Dimensions - 6⁷/₁₆" (163mm) High x 6" (152mm) Wide x Length (overall length)

Ultimate Load Capacity - (uniform load) *

DB610 = 500 lbs. (2.22kN)
 DB620 = 1,000 lbs. (4.45kN)
 DB630 = 1,500 lbs. (6.67kN)

DB640 = 2,000 lbs. (8.89kN)
 DB648 = 2,500 lbs. (11.12kN)

UPC/Part #	Cat. #	Height	Width	Overall Length	Weight Each
782051 50024	DB610	6 ⁷ / ₁₆ " (163mm)	6" (152mm)	9.6" (244mm)	6.36 (2.88kg)
782051 50025	DB620	6 ⁷ / ₁₆ " (163mm)	6" (152mm)	20.2" (513mm)	12.90 (5.85kg)
782051 50026	DB630	6 ⁷ / ₁₆ " (163mm)	6" (152mm)	30.8" (782mm)	19.45 (8.82kg)
782051 50027	DB640	6 ⁷ / ₁₆ " (163mm)	6" (152mm)	41.4" (1052mm)	26.00 (11.79kg)
782051 50028	DB648	6 ⁷ / ₁₆ " (163mm)	6" (152mm)	52.0" (1321mm)	32.55 (14.76kg)



DB10 Series

Two (2) Bases with Galv. Channel - 1⁵/₈" (41mm) high

Dimensions - 6⁷/₁₆" (143mm) High x 6" (152mm) Wide x Length (bridge length - see below)

Ultimate Load Capacity - 1,000 lbs. (4.45kN) (uniform load) *

UPC/Part #	Cat. #	Height	Individual Base Length	Bridge Length	Weight Each
782051 50029	DB10-28	5 ⁵ / ₈ " (143mm)	9.6" (244mm)	28" (711mm)	2.75 (1.25kg)
782051 50031	DB10-36	5 ⁵ / ₈ " (143mm)	9.6" (244mm)	36" (914mm)	5.28 (2.39kg)
782051 50032	DB10-42	5 ⁵ / ₈ " (143mm)	9.6" (244mm)	42" (1067mm)	10.63 (4.82kg)
782051 50033	DB10-50	5 ⁵ / ₈ " (143mm)	9.6" (244mm)	50" (1270mm)	15.99 (7.25kg)
782051 50034	DB10-60	5 ⁵ / ₈ " (143mm)	9.6" (244mm)	60" (1524mm)	21.34 (9.68kg)

* For Roof Loading, Consult Roofing Manufacturer or Engineer. As with most commercial roofs, the weakest point may be the insulation board beneath the rubber membrane.

Duct supports



DB_DS Series

Two (2) Base Supports with Galv. Channel - 1½" (41mm) high
Dimensions - Height (overall) x Width (overall) x Length (overall) See table
Riser Channels (SH Style) - 1½" (41mm) x 1½" (41mm)
Fittings & Hardware - Electro-Plated Steel
Ultimate Load Capacity - 1,000 lbs. (4.45kN) (uniform load)*



DB2318DS

UPC/Part #	Cat. #	A (Minimum)	A (Maximum)	B	Weight Each
782051 50717	DB2318DS	10.56" (268mm)	20.75" (527mm)	13.50" (343mm)	33.31 (15.11kg)
782051 50718	DB2918DS	10.56" (268mm)	26.75" (679mm)	13.50" (343mm)	35.00 (15.88kg)
782051 50719	DB4118DS	10.56" (268mm)	38.75" (984mm)	13.50" (343mm)	38.40 (17.42kg)
782051 50720	DB5318DS	10.56" (268mm)	50.75" (1289mm)	13.50" (343mm)	41.80 (18.96kg)
782051 50721	DB2324DS	10.56" (268mm)	20.75" (527mm)	19.50" (495mm)	34.15 (15.49kg)
782051 50722	DB2924DS	10.56" (268mm)	26.75" (679mm)	19.50" (495mm)	35.84 (16.26kg)
782051 50723	DB4124DS	10.56" (268mm)	38.75" (984mm)	19.50" (495mm)	39.25 (17.80kg)
782051 50724	DB5324DS	10.56" (268mm)	50.75" (1289mm)	19.50" (495mm)	42.65 (19.34kg)
782051 50725	DB2336DS	10.56" (268mm)	20.75" (527mm)	31.50" (800mm)	35.84 (16.26kg)
782051 50726	DB2936DS	10.56" (268mm)	26.75" (679mm)	31.50" (800mm)	37.55 (17.03kg)
782051 50727	DB4136DS	10.56" (268mm)	38.75" (984mm)	31.50" (800mm)	40.95 (18.57kg)
782051 50728	DB5336DS	10.56" (268mm)	50.75" (1289mm)	31.50" (800mm)	44.34 (20.11kg)
782051 50729	DB2348DS	10.56" (268mm)	20.75" (527mm)	43.50" (1105mm)	37.55 (17.03kg)
782051 50730	DB2948DS	10.56" (268mm)	26.75" (679mm)	43.50" (1105mm)	39.25 (17.80kg)
782051 50731	DB4148DS	10.56" (268mm)	38.75" (984mm)	43.50" (1105mm)	42.65 (19.34kg)
782051 50732	DB5348DS	10.56" (268mm)	50.75" (1289mm)	43.50" (1105mm)	46.03 (20.88kg)

Cat. #	Height (overall)	Width (overall)	Length (Overall)
DB2318DS	23" (584mm)	25½" (651mm)	20.2" (513mm)
DB2918DS	29" (736mm)	25½" (651mm)	20.2" (513mm)
DB4118DS	41" (1041mm)	25½" (651mm)	20.2" (513mm)
DB5318DS	53" (1346mm)	25½" (651mm)	20.2" (513mm)
DB2324DS	23" (584mm)	31½" (803mm)	20.2" (513mm)
DB2924DS	29" (736mm)	31½" (803mm)	20.2" (513mm)
DB4124DS	41" (1041mm)	31½" (803mm)	20.2" (513mm)
DB5324DS	53" (1346mm)	31½" (803mm)	20.2" (513mm)
DB2336DS	23" (584mm)	43½" (1108mm)	20.2" (513mm)
DB2936DS	29" (736mm)	43½" (1108mm)	20.2" (513mm)
DB4136DS	41" (1041mm)	43½" (1108mm)	20.2" (513mm)
DB5336DS	53" (1346mm)	43½" (1108mm)	20.2" (513mm)
DB2348DS	23" (584mm)	55½" (1415mm)	20.2" (513mm)
DB2948DS	29" (736mm)	55½" (1415mm)	20.2" (513mm)
DB4148DS	41" (1041mm)	55½" (1415mm)	20.2" (513mm)
DB5348DS	53" (1346mm)	55½" (1415mm)	20.2" (513mm)

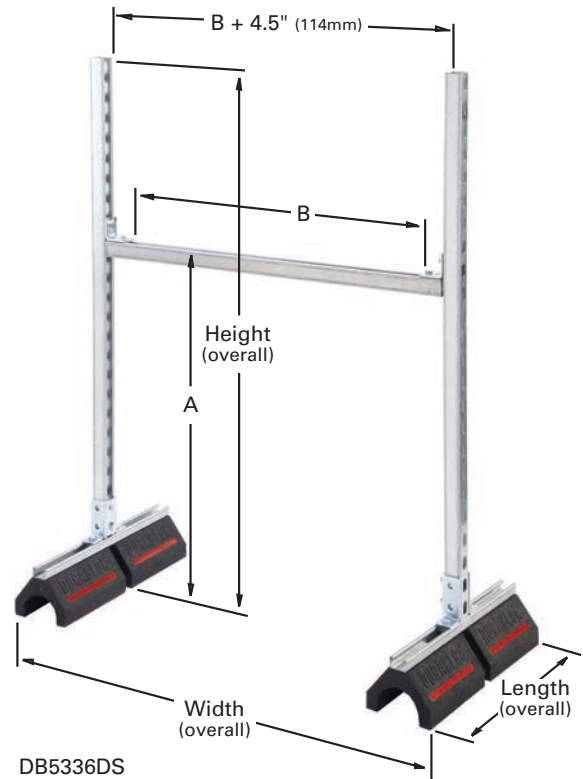
A = Adjustable height from bottom of DURA-BLOK™ to top of horizontal channel.

B = Space between fittings that support horizontal channel.

Height (overall) = Distance from bottom of DURA-BLOK to top of upright channel.

Width (overall) = Distance from outside-to-outside of DURA-BLOK supports.

Length (overall) = Distance from end-to-end of DURA-BLOK supports.



DB5336DS

Product is shipped unassembled.

* For Roof Loading, Consult Roofing Manufacturer or Engineer. As with most commercial roofs, the weakest point may be the insulation board beneath the rubber membrane.

Pipe supports



DBR Series Fixed Height

Base with Galv. Channel - 1" (25.4mm) high and Pipe Roller Assembly

Dimensions - Height to Bottom of Pipe x 6" (152mm) Wide x Long (length) - See Below

Pipe Roller Material - Cast Iron - Electro-Plated

Brackets, Axle & Hardware - Electro-Plated Steel

Ultimate Load Capacity - (uniform load) *

DBR2-3½ = 500 lbs. (2.22kN) DBR12-14 = 1000 lbs. (4.44kN)
 DBR4-6 = 500 lbs. (2.22kN) DBR16-20 = 1000 lbs. (4.44kN)
 DBR8-10 = 1000 lbs. (4.44kN)

UPC/Part #	Cat. #	Roller Part No.†	Height**	Width	Length	Weight Each
782051 50745	DBR2-3½	B3126-2 to 3½	7.09" (180mm)	6" (152mm)	9.6" (244mm)	5.28 (2.39kg)
782051 50746	DBR4-6	B3126-4 to 6	7.09" (180mm)	6" (152mm)	9.6" (244mm)	10.63 (4.82kg)
782051 50747	DBR8-10	B3126-8 to 10	8.34" (212mm)	6" (152mm)	20.2" (513mm)	15.99 (7.25kg)
782051 50748	DBR12-14	B3126-12 to 14	8.34" (212mm)	6" (152mm)	20.2" (513mm)	21.34 (9.68kg)
782051 50749	DBR16-20	B3126-16 to 20	8.34" (212mm)	6" (152mm)	20.2" (513mm)	26.70 (12.11kg)



DBR10-12

DBR Series Adjustable Height

Base with two (2) ½" (12.7mm) - 13" (330mm) Electro Zinc All Threaded Rod Risers and a B3114-3 ½" (88.9mm) Pipe Roll with Sockets

Dimensions - Overall Height as Specified Base - 4" High (101mm) x 6" (152mm) Wide x 9.6" (244mm) Length (base length)

Ultimate Load Capacity - 200 lbs. (0.89kN) *

To increase load capacity use CLDP10 load distribution plate.

UPC/Part #	Cat. #	Adjustable Height	Width	Length	Weight Each
782051 50750	DBR10-12	up to 12" (305mm)	6" (152mm)	9.6" (244mm)	6.46 (2.93kg)



DBE10-12

DBE Series Elevated

Base with two (2) ½" (12.7mm) - 13 Electro Zinc All Threaded Rod Risers and Galv. Slotted Channel - 1" (25.4mm) high

Dimensions - Overall Height as Specified Base - 4" High (101mm) x 6" (152mm) Wide x 9.6" (244mm) Length (base length)

Ultimate Load Capacity - 200 lbs. (0.89kN) *

To increase load capacity use CLDP10 load distribution plate.

For pipe straps/clamps, rollers and roller supports that can be used with these DURA-BLOK supports, see other components on page 2.

UPC/Part #	Cat. #	Adjustable Height	Width	Channel Length	Weight Each
782051 50036	DBE10-8	5½" - 8" (140 - 203mm)	6" (152mm)	9.35" (161mm)	5.68 (2.58kg)
782051 50037	DBE10-12	5½" - 12" (140 - 305mm)	6" (152mm)	9.35" (161mm)	5.72 (2.59kg)
782051 50038	DBE10-16	5½" - 16" (140 - 406mm)	6" (152mm)	9.35" (161mm)	5.76 (2.61kg)

Longer base lengths available.

Note: At heights above 12" (305mm), we suggest using the DB_DS Series Channel Support with Risers for additional stability to piping system.

† See Eaton B-Line series Pipe Hanger Catalog for dimensions and specifications.

** From bottom of rubber block to bottom of pipe/tubing.

* For Roof Loading, Consult Roofing Manufacturer or Engineer. As with most commercial roofs, the weakest point may be the insulation board beneath the rubber membrane.

Rooftop pipe supports

DBM Series

Base with one (1) 3/8" - 16 Electro Zinc All Threaded Rod and Hinged Pipe Clamp

Dimensions - Height to Pipe Center x 6" (152mm) Wide x 4.8" (122mm) Long (overall length)

Pipe Clamp Material - Malleable Iron

Threaded Rod / Hardware - Electro-Plated Steel

Ultimate Load Capacity - 50 lbs. (0.22kN) (uniform load) *



DBM-2CT



DBM-1

Copper Tubing Supports

UPC/Part #	Cat. #	Clamp Part No.†	Height (Min.)**	Height (Max)**	Width	Length	Weight Each
782051 50733	DBM-1/2CT	B3198HCT-1/2	9.69"(246mm)	11.19"(284mm)	6"(152mm)	4.80"(122mm)	2.75(1.25kg)
782051 50734	DBM-3/4CT	B3198HCT-3/4	9.84"(250mm)	11.34"(288mm)	6"(152mm)	4.80"(122mm)	2.76(1.25kg)
782051 50735	DBM-1CT	B3198HCT-1	9.95"(253mm)	11.45"(291mm)	6"(152mm)	4.80"(122mm)	2.84(1.29kg)
782051 50736	DBM-1 1/4CT	B3198HCT-1 1/4	10.13"(257mm)	11.63"(295mm)	6"(152mm)	4.80"(122mm)	2.95(1.34kg)
782051 50737	DBM-1 1/2CT	B3198HCT-1 1/2	10.28"(261mm)	11.78"(299mm)	6"(152mm)	4.80"(122mm)	2.96(1.34kg)
782051 50738	DBM-2CT	B3198HCT-2	10.53"(267mm)	12.03"(305mm)	6"(152mm)	4.80"(122mm)	3.03(1.37kg)

Steel Pipe Supports

UPC/Part #	Cat. #	Clamp Part No.†	Height (Min.)**	Height (Max)**	Width	Length	Weight Each
782051 50739	DBM-1/2	B3198H-1/2	9.86"(250mm)	11.36"(288mm)	6"(152mm)	4.80"(122mm)	2.78(1.26kg)
782051 50740	DBM-3/4	B3198H-3/4	10.06"(255mm)	11.56"(293mm)	6"(152mm)	4.80"(122mm)	2.84(1.29kg)
782051 50741	DBM-1	B3198H-1	10.14"(257mm)	11.64"(296mm)	6"(152mm)	4.80"(122mm)	2.86(1.30kg)
782051 50742	DBM-1 1/4	B3198H-1 1/4	10.25"(260mm)	11.75"(298mm)	6"(152mm)	4.80"(122mm)	2.93(1.33kg)
782051 50743	DBM-1 1/2	B3198H-1 1/2	10.42"(265mm)	11.92"(303mm)	6"(152mm)	4.80"(122mm)	2.99(1.36kg)
782051 50744	DBM-2	B3198H-2	10.66"(271mm)	12.16"(309mm)	6"(152mm)	4.80"(122mm)	3.10(1.41kg)

Base only

DURA-BLOK channel support is designed as an economical support for piping systems, cable tray, HVAC equipment and many other applications.



Dimensions - 4" (101mm) High x 6" (152mm) Wide x 9.6" (244mm) Long (base length)

Ultimate Load Capacity - (uniform load) *

DBP - 500 lbs. (2.22kN)

DBM - 200 lbs. (0.89kN)



DBP



DBM

UPC/Part #	Cat. #	Height	Width	Length	Weight Each
782051 49691	DBP	4" (101mm)	6" (152mm)	9.6" (244mm)	4.48 (2.03kg)
782051 50005	DBM	4" (101mm)	6" (152mm)	4.8" (122mm)	2.35 (1.07kg)

† See Eaton B-Line series Pipe Hanger Catalog for dimensions and specifications.

** From bottom of rubber block to bottom of pipe/tubing.

* For Roof Loading, Consult Roofing Manufacturer or Engineer. As with most commercial roofs, the weakest point may be the insulation board beneath the rubber membrane.

PART 1 GENERAL

1.01 SECTION INCLUDES

- A. The work covered by this specification consists of furnishing all labor, equipment, materials and accessories, and performing all operations required for the correct installation of recycled rubber pipe [conduit] supports for mechanical piping [electrical conduit] systems.

1.02 REFERENCES

- A. ASTM A653 G90 SS Gr. 33 - Specification for Steel Sheet, Zinc Coated (Galvanized) by the Hot Dipped Process
- B. ASTM B633 - Specification for Electrodeposited Coatings of Zinc on Iron and Steel
- C. ASTM C531 – Test Method for Linear Shrinkage and Coefficient of Thermal Expansion of Chemical Resistant Mortars, Grouts, Monolithic Surfaces, and Polymer Concretes
- D. ASTM C642 – Test Method for Specific Gravity, Absorption, and Voids in Hardened Concrete
- E. ASTM C672 – Test Methods for Scaling Resistance of Concrete Surfaces Exposed to Deicing Chemicals
- F. ASTM D412 – Test Methods for Vulcanized Rubber and Thermoplastic Elastomers – Tension
- G. ASTM D395 – Standard Test Methods for Rubber Property – Compression Set
- H. ASTM D573 – Test Method for Rubber – Deterioration in an Air Oven
- I. ASTM D746 – Test Method for Brittleness Temperature of Plastics and Elastomers by Impact
- J. ASTM D2240 – Test Method for Rubber Property – Durometer Hardness
- K. NFPA 70 – National Electrical Code

1.03 QUALITY ASSURANCE

- A. Rubber / steel pipe supports shall be manufactured under a strict quality control program assuring quality product delivered to the jobsite. Pipe supports that are damaged shall not be installed.
- B. Workmanship: All pipe [conduit] supports to be installed by a qualified piping [electrical] contractor and installed in accordance with manufacturer's recommendations.
 - 1. All work shall comply with all applicable federal, state, and local codes and laws having jurisdiction.
 - 2. All work shall conform to accepted industry and trade standards for pipe support [conduit] installations.

PART 2 PRODUCTS

2.01 ACCEPTABLE MANUFACTURERS

- A. Manufacturer: Subject to compliance with these specifications, pipe support systems shall be DURA-BLOK™ design as supplied by Eaton [or engineer approved equal].

2.02 MATERIALS

- A. Curb base must be made of 100% recycled rubber and polyurethane prepolymer with a uniform load capacity of 500 pounds per linear foot of support.* In addition, each base to have a reflective red stripe. (*See 3.01(C))
- B. Dimensions: 6-inches wide by [4] [5.0] [6.75] inches tall by [9.6] [20.2] [30.8] [41.4] [52.0] inches long.
- C. Steel frame: Steel, strut galvanized per ASTM A653 or strut galvanized per ASTM A653 for bridge series.
- D. Attaching hardware: Zinc-plated threaded rod, nuts and attaching hardware per ASTM B633.

- E. Any products claiming to be a similar, like, or equal must demonstrate (meet or exceed) the same physical and performance characteristics as specified below:

- 1. Density: 0.52 oz/cu in ASTM D575
- 2. Durometer Hardness: 67.2A ± 1 ASTM D575
- 3. Tensile Strength: 231 psi minimum ASTM D575
- 4. Compression Deformation: 5% at 70psi and 72°F ASTM D575
- 5. Brittleness at Low Temp: -50°F ASTM D746
- 6. Weathering: 70 hours at 120°F ASTM D573
 - a. Hardness retained: 100% (±5%)
 - b. Compressive strength: 100% (±5%)
 - c. Tensile strength: 100% (±5%)
 - d. Elongation retained: 100% (±5%)

2.03 TYPE OF ROOFTOP SUPPORTS

- A. Rubber block supports – DURA-BLOK™ model # [DBP] [DMB] base dimensions: 6-inch wide by 4-inch tall by [9.6] [4.8]-inch length. Accessories are fastened directly into rubber material with weather resistant type 12 lag screws.
- B. Continuous block channel supports – DURA-BLOK™ DB Series or DB6 Series: Dimensions 6-inch wide bt [5.0] [6.5]-inch tall bt [9.6] [20.2] [30.8] [41.4] [52.0]-inch length. Assembly has 1" gaps between blocks for free flow of water. Standard strut accessories can be used for attachment.
- C. Bridge channel supports – DURA-BLOK™ DB10 Series; Dimensions 6-inch wide by 5½ -inch tall by [28.0] [36.0] [42.0] [50.0] [60.0]-inch length. Standard strut accessories can be used for attachment.
- D. Extendible height support – DURA-BLOK™ model DBE 10-[8][12][16], height to suit application: 8-inch, 12-inch or 16-inch (200 pound maximum load). Base to be 9.6 inches in length or otherwise specified sizes available. Heavier loads, may require CLDP load distribution plate.
- E. Roller supports– DURA-BLOK™ DBR10 Series & DBR Series: DBR10 Series is sized for pipe up to 3½ inches, with vertical adjustment up to 12 inches. DBR Series is sized for [2-3½] [4-6] [8-10] [12-14] [16-20]-inch pipe sizes.
- F. Elevated single pipe supports– DURA-BLOK™ DBM Series: [Copper] or [Steel] pipe sizes [½] [¾] [1] [1¼] [1½] [2]-inch.

PART 3 EXECUTION

3.01 INSTALLATION

- A. Install in accordance with manufacturer's instructions and recommendations.
- B. If gravel top roof, gravel must be removed around and under pipe support.
- C. Always consult roofing manufacturer for roof membrane compression capacities. If necessary, a compatible sheet of roofing material (rubber pad) may be installed under rooftop support to disperse concentrated loads and add further membrane protection.
- D. Gas pipe spacing subject to local gas authorities.
- E. Use properly sized clamps to suit pipe [conduit] sizes.

For more information, visit
cooperblineline.com/dura-blok

Eaton
1000 Eaton Boulevard
Cleveland, OH 44122
United States
Eaton.com

© 2018 Eaton
All Rights Reserved
Printed in USA
Publication No. BR300001EN
January 2018 BRTS-18

B-Line Division
509 West Monroe Street
Highland, IL 62249
Eaton.com
Phone: 800-851-7415

www.cooperblineline.com/contactus

Eaton is a registered trademark.

All other trademarks are property
of their respective owners.

Follow us on social media to get the
latest product and support information.

