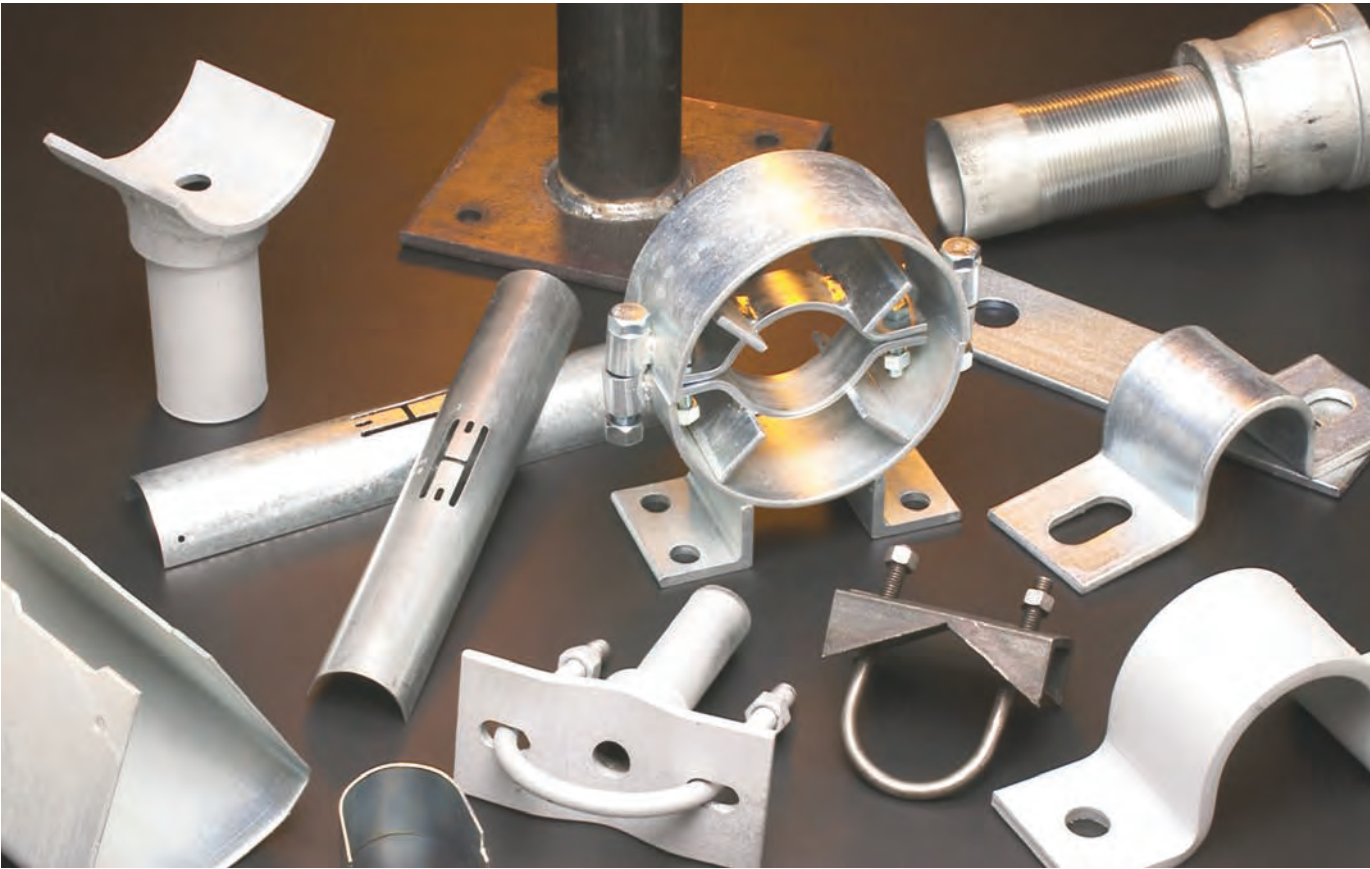


Pipe Supports, Guides, Shields & Saddles



Pipe supports offered in this section are designed to support pipe from a base structure where vertical adjustment may be required. Pipe guides and slides are designed to allow longitudinal movement due to thermal expansion and contraction of pipe. Protection shields and saddles are designed to prevent damage to pipe insulation.

Materials

Carbon Steel is used in the manufacturing of pipe supports, guides, shields and saddles. Stainless Steel and other materials are available.

Finishes

The standard finishes for mechanical supports are plain steel (oil coated) sometimes referred to as black and Electro-Plated Zinc (ASTM B633 SC3). Hot-Dip Galvanized After Fabrication (ASTM A123), Red Primer, DURA GREEN™ and other special coatings are available upon request.

Note: Due to the design of some products, (threads, connecting hardware, swivels, etc.) items may or may not be uniformly coated with special finishes. In some cases, the hanger itself may be coated, however, the hardware may be supplied Electro-Plated, Copper plated, or in Stainless Steel.

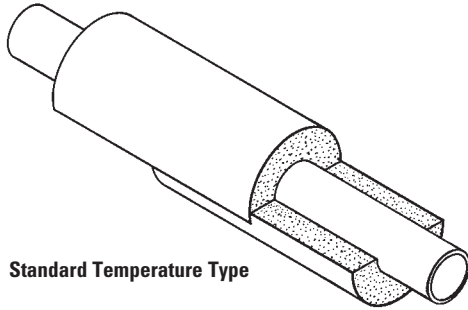
Approvals (as noted)

Items in this section comply with Federal Specification WW-H-171E & A-A-1192A or Manufacturers Standardization Society ANSI/MSS SP-69 & SP-58.

All pipe supports in this section are sized to fit schedule 40/80 pipe unless otherwise noted. Some steel items may be specially fabricated to fit other pipe diameters i.e. ductile iron, cast iron, etc. See pipe data charts on pages 321 thru 325 for proper size selection.

Pipe Supports, Guides, Shields & Saddles

B3380 thru B3387 360° Calcium Silicate Shield Pre-Insulated Support



Standard Temperature Type

Size Range: Up to 24" (600mm)

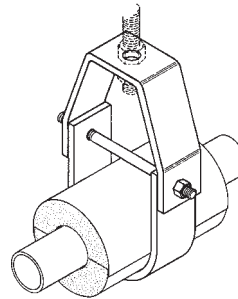
Material: Asbestos-free, Hydrous Calcium Silicate Insulation with Pre-Galvanized steel jacket

Function: Designed to provide a crush resistant insulation insert at pipe support points. Can be used with hangers or straps.
Standard type has functionality for both chilled water and hot water.

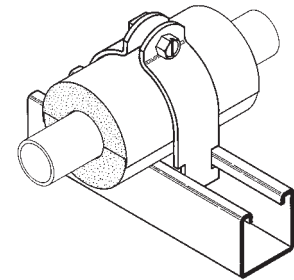
Miscellaneous Information: Flame retardant, water and rot resistant, temperature range from -20°F (-29°C) to 1200°F (649°C). Easily installed in a pipe hanger or mounted to strut.

Order By: Part number.
(See part number legend below.)
For additional information, contact factory.

Applications

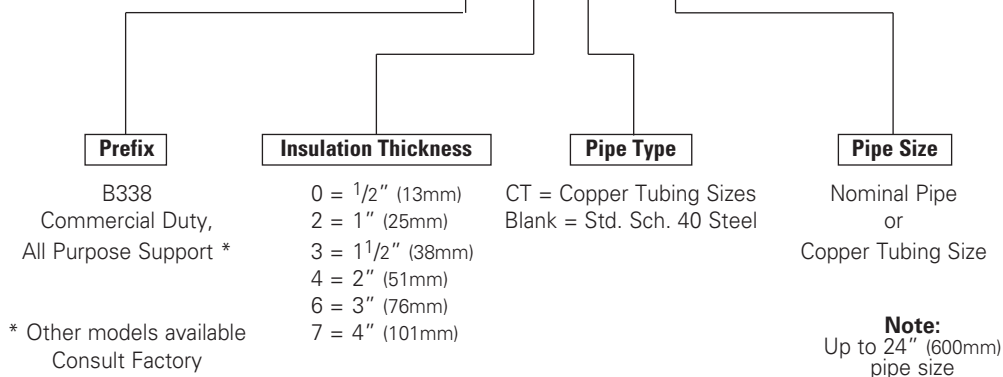


Pipe Hanger



Strut Mounted

B338 0 CT - 3



All dimensions in charts and on drawings are in inches. Dimensions shown in parentheses are in millimeters unless otherwise specified.

Pipe Supports, Guides, Shields & Saddles

B3088 - Base Stand

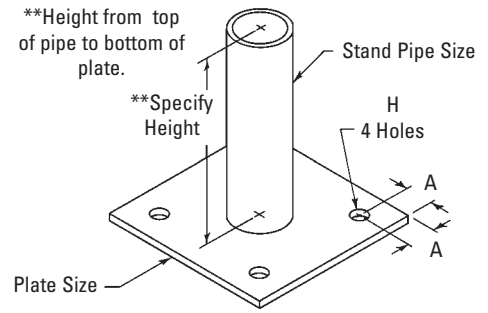
Size Range: 3/4" (20mm) thru 6" (150mm) pipe

Material: Steel

Function: Designed as an unthreaded base stand for pipe supports B3090, B3094, B3095, B3096, B3097 and B3098.

Finish: Plain or Electro-Galvanized. Contact customer service for alternative finishes and materials.

Order By: Part number, height and finish.



Note: Match B3088 part number with dimension 'D' from B3090, B3094, B3095, B3096, B3097 or B3098 charts.

Part No.	Plate Size		Stand Pipe Size		A		Dia. H		Approx. Wt./100*	
	in.	(mm)	in.	(mm)	in.	(mm)	in.	(mm)	Lbs.	(kg)
B3088-3/4	1/4" x 6" x 6"	(6.3 x 152.4 x 152.4)	3/4"	(20)	7/8"	(22.2)	3/4"	(14.3)	420	(190.5)
B3088-1	1/4" x 6" x 6"	(6.3 x 152.4 x 152.4)	1"	(25)	7/8"	(22.2)	3/4"	(14.3)	480	(216.0)
B3088-1 1/4	1/4" x 6" x 6"	(6.3 x 152.4 x 152.4)	1 1/4"	(32)	7/8"	(22.2)	3/4"	(14.3)	590	(267.6)
B3088-1 1/2	1/4" x 6" x 6"	(6.3 x 152.4 x 152.4)	1 1/2"	(40)	7/8"	(22.2)	3/4"	(14.3)	655	(297.1)
B3088-2	1/4" x 6" x 6"	(6.3 x 152.4 x 152.4)	2"	(50)	7/8"	(22.2)	3/4"	(14.3)	1211	(549.3)
B3088-2 1/2	3/8" x 8" x 8"	(9.5 x 203.2 x 203.2)	2 1/2"	(65)	1 1/4"	(31.7)	13/16"	(14.3)	2376	(1077.7)
B3088-3	3/8" x 12" x 12"	(9.5 x 203.2 x 203.2)	3"	(80)	1 1/2"	(38.1)	13/16"	(20.6)	3137	(1422.9)
B3088-4	1/2" x 12" x 12"	(12.7 x 304.8 x 304.8)	4"	(100)	1 1/2"	(38.1)	15/16"	(23.8)	4338	(1967.7)
B3088-6	1/2" x 18" x 18"	(12.7 x 304.8 x 304.8)	6"	(150)	1 1/2"	(38.1)	1 1/8"	(28.6)	7378	(3346.6)

*Based on a height of 18" (457.2mm).

B3088T - Threaded Base Stand

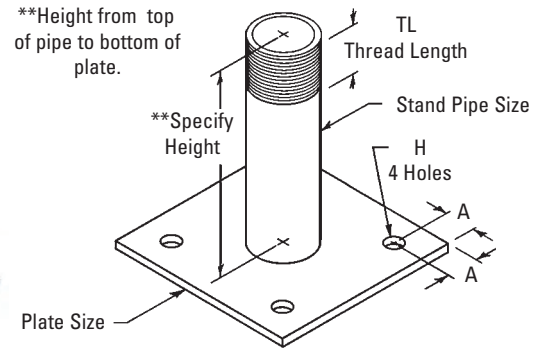
Size Range: 1" (25mm) thru 4" (100mm) pipe

Material: Steel

Function: Designed as a threaded base stand where vertical adjustment is required for pipe supports B3089, B3092, and B3093.

Finish: Plain or Electro-Galvanized. Contact customer service for alternative finishes and materials.

Order By: Part number, height and finish.



Note: Match B3088T part number with dimension 'D' from B3089, B3092, and B3093 charts.

Part No.	Plate Size		Stand Pipe Size		A		Dia. H		TL		Approx. Wt./100*	
	in.	(mm)	in.	(mm)	in.	(mm)	in.	(mm)	in.	(mm)	Lbs.	(kg)
B3088T-1	1/4" x 6" x 6"	(6.3 x 152.4 x 152.4)	1"	(25)	7/8"	(22.2)	3/4"	(19.0)	1 1/2"	(38.1)	495	(224.5)
B3088T-1 1/4	1/4" x 6" x 6"	(6.3 x 152.4 x 152.4)	1 1/4"	(32)	7/8"	(22.2)	3/4"	(19.0)	1 1/2"	(38.1)	583	(264.4)
B3088T-1 1/2	1/4" x 6" x 6"	(6.3 x 152.4 x 152.4)	1 1/2"	(40)	7/8"	(22.2)	3/4"	(19.0)	1 1/2"	(38.1)	649	(294.4)
B3088T-2	1/4" x 6" x 6"	(6.3 x 152.4 x 152.4)	2"	(50)	7/8"	(22.2)	3/4"	(19.0)	1 1/2"	(38.1)	785	(356.1)
B3088T-2 1/2	3/8" x 8" x 8"	(9.5 x 203.2 x 203.2)	2 1/2"	(65)	1 1/4"	(31.7)	13/16"	(20.6)	1 1/2"	(38.1)	1524	(691.3)
B3088T-3	3/8" x 12" x 12"	(9.5 x 304.8 x 304.8)	3"	(80)	1 1/2"	(38.1)	13/16"	(20.6)	1 1/2"	(38.1)	2624	(1190.2)
B3088T-4	1/2" x 12" x 12"	(12.7 x 304.8 x 304.8)	4"	(100)	1 1/2"	(38.1)	15/16"	(23.8)	2"	(50.8)	3594	(1630.2)

B3088T-1 and B3088T-1 1/4 can not be used with B3089, B3092, and B3093.

*Based on a height of 18" (457.2mm).

All dimensions in charts and on drawings are in inches. Dimensions shown in parentheses are in millimeters unless otherwise specified.

Pipe Supports, Guides, Shields & Saddles

B3088S - Seismic Base Stand

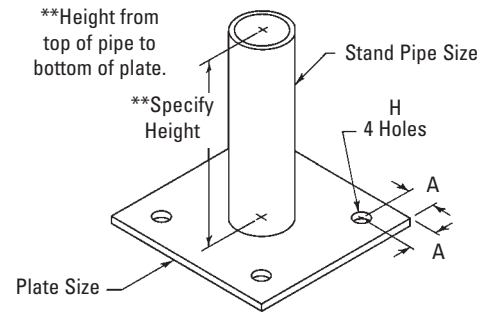
Size Range: 3/4" (20mm) thru 4" (100mm) pipe

Material: Steel

Function: Designed as an unthreaded base stand for pipe supports, B3090, B3094, B3095, B3096, B3097 and B3098, to meet requirements of 12X anchor diameter hole spacing for seismic applications. The standard B3088-3 & B3088-6 already meet this requirement.

Finish: Plain or Electro-Galvanized. Contact customer service for alternative finishes and materials.

Order By: Part number, height and finish.



Note: Match B3088S part number with dimension 'D' from B3090, B3094, B3095, B3096, B3097 or B3098 charts.

Part No.	Plate Size		Stand Pipe Size		A		Dia. H		Approx. Wt./100*	
	in.	(mm)	in.	(mm)	in.	(mm)	in.	(mm)	Lbs.	(kg)
B3088S-3/4	1/4" x 8" x 8"	(6.3 x 203.2 x 203.2)	3/4"	(20)	1"	(25.4)	9/16"	(14.3)	618	(280.3)
B3088S-1	1/4" x 8" x 8"	(6.3 x 203.2 x 203.2)	1"	(25)	1"	(25.4)	9/16"	(14.3)	708	(321.1)
B3088S-1 1/4	1/4" x 8" x 8"	(6.3 x 203.2 x 203.2)	1 1/4"	(32)	1"	(25.4)	9/16"	(14.3)	798	(362.0)
B3088S-1 1/2	1/4" x 8" x 8"	(6.3 x 203.2 x 203.2)	1 1/2"	(38)	1"	(25.4)	9/16"	(14.3)	858	(389.2)
B3088S-2	1/4" x 8" x 8"	(6.3 x 203.2 x 203.2)	2"	(50)	1"	(25.4)	9/16"	(14.3)	993	(450.4)
B3088S-2 1/2	3/8" x 8 1/2" x 8 1/2"	(9.5 x 215.9 x 215.9)	2 1/2"	(63)	1 1/4"	(31.7)	9/16"	(14.3)	1638	(743.0)
B3088S-4	1/2" x 13 1/2" x 13 1/2"	(12.7 x 342.9 x 342.9)	4"	(100)	1 1/2"	(38.1)	15/16"	(23.8)	4202	(1906.0)

*Based on a height of 18" (457.2mm).

B3088ST - Threaded Seismic Base Stand

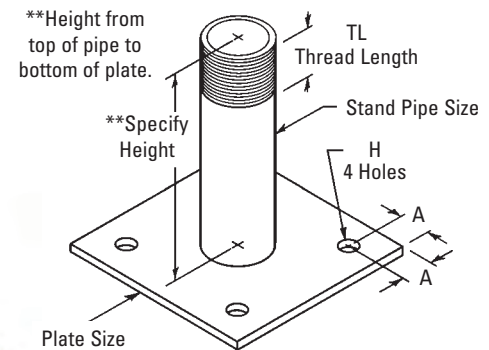
Size Range: 1" (25mm) thru 4" (100mm) pipe

Material: Steel

Function: Designed as a threaded base stand where vertical adjustment is required for pipe supports B3089, B3092, and B3093, to meet requirements of 12X anchor diameter hole spacing for seismic applications. The standard B3088T-3 & B3088T-6 already meet this requirement.

Finish: Plain or Electro-Galvanized. Contact customer service for alternative finishes and materials.

Order By: Part number, height and finish.



Note: Match B3088ST part number with dimension 'D' from B3089, B3092, and B3093 charts.

Part No.	Plate Size		Stand Pipe Size		A		Dia. H		TL	Approx. Wt./100*		
	in.	(mm)	in.	(mm)	in.	(mm)	in.	(mm)	in.	(mm)	Lbs.	(kg)
B3088ST-1	1/4" x 8" x 8"	(6.3 x 203.2 x 203.2)	1"	(25)	1"	(25.4)	9/16"	(14.3)	1 1/2"	(38.1)	708	(321.1)
B3088ST-1 1/4	1/4" x 8" x 8"	(6.3 x 203.2 x 203.2)	1 1/4"	(32)	1"	(25.4)	9/16"	(14.3)	1 1/2"	(38.1)	798	(362.0)
B3088ST-1 1/2	1/4" x 8" x 8"	(6.3 x 203.2 x 203.2)	1 1/2"	(40)	1"	(25.4)	9/16"	(14.3)	1 1/2"	(38.1)	858	(389.2)
B3088ST-2	1/4" x 8" x 8"	(6.3 x 203.2 x 203.2)	2"	(50)	1"	(25.4)	9/16"	(14.3)	1 1/2"	(38.1)	993	(450.4)
B3088ST-2 1/2	3/8" x 8 1/2" x 8 1/2"	(9.5 x 215.9 x 215.9)	2 1/2"	(63)	1 1/4"	(31.7)	9/16"	(14.3)	1 1/2"	(38.1)	1638	(743.0)
B3088ST-4	1/2" x 13 1/2" x 13 1/2"	(12.7 x 342.9 x 342.9)	4"	(100)	1 1/2"	(38.1)	15/16"	(23.8)	2"	(50.8)	4202	(1906.0)

*Based on a height of 18" (457.2mm).

All dimensions in charts and on drawings are in inches. Dimensions shown in parentheses are in millimeters unless otherwise specified.

Pipe Supports, Guides, Shields & Saddles

B3096 - Adjustable Pipe Saddle Support

Size Range: Size 2" (505mm) thru 12" (300mm) pipe

Material: Steel

Function: Designed to support horizontal pipe from floor stanchion where vertical adjustment is required.

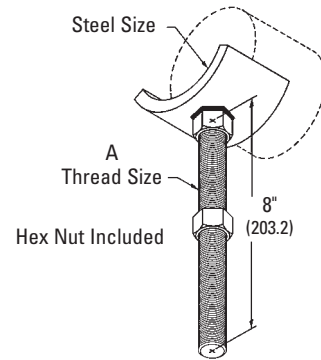
Approvals: Conforms to Federal Specification WW-H-171E & A-A-1192A, Type 39 and Manufacturers Standardization Society ANSI/MSS SP-69 & SP-58, Type 38.

Maximum Temperature: 650°F (343°C)

Finish: Plain. Contact customer service for alternative finishes and materials.

Order By: Part number, pipe size and finish

Supports, Guides, Shields & Saddles



Shank will fit into Sch. 40 Pipe Size 'D' (not included)

Part No.	Pipe Size in. (mm)	Max. Pipe O.D. in. (mm)	Thread Size A	D in. (mm)	Steel Size in. (mm)	Approx. Wt./100 Lbs. (kg)
B3096-2	2" (50)	2 ³ / ₈ " (60.3)	7/8"-9	1" (25)	3/8" x 2" (9.5 x 50.8)	212 (96.1)
B3096-3	3" (80)	3 ¹ / ₂ " (88.9)	7/8"-9	1" (25)	3/8" x 2" (9.5 x 50.8)	259 (117.5)
B3096-4	4" (100)	4 ¹ / ₂ " (114.3)	1"-8	1" (25)	3/8" x 3" (9.5 x 76.2)	370 (167.8)
B3096-5	5" (125)	5 ⁹ / ₁₆ " (141.3)	1"-8	1" (25)	3/8" x 3" (9.5 x 76.2)	404 (183.2)
B3096-6	6" (150)	6 ⁵ / ₈ " (168.3)	1 ¹ / ₄ "-7	1 ¹ / ₄ " (32)	1/2" x 3 ¹ / ₂ " (12.7 x 88.9)	714 (323.9)
B3096-8	8" (200)	8 ⁵ / ₈ " (219.1)	1 ¹ / ₄ "-7	1 ¹ / ₄ " (32)	1/2" x 3 ¹ / ₂ " (12.7 x 88.9)	819 (371.5)
B3096-10	10" (250)	10 ³ / ₄ " (273.0)	1 ¹ / ₂ "-6	1 ¹ / ₂ " (40)	1/2" x 4" (12.7 x 101.6)	1194 (541.6)
B3096-12	12" (300)	12 ³ / ₄ " (323.8)	1 ¹ / ₂ "-6	1 ¹ / ₂ " (40)	1/2" x 4" (12.7 x 101.6)	1315 (596.5)

All dimensions in charts and on drawings are in inches. Dimensions shown in parentheses are in millimeters unless otherwise specified.

B3089 - Pipe Adjuster

Size Range: For use with 1½" (40mm) thru 36" (900mm) pipe

Material: Steel

Function: Straight threaded shank that permits adjustment after installation

Maximum Temperature: 650°F (343°C)

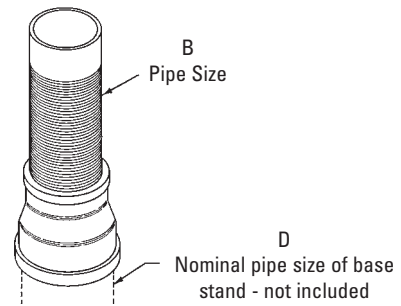
Finish: Plain. Contact B-Line for alternative finishes and materials.

Order By: Part number and finish

Note:

If combining a Figure B3089 (Pipe adjuster) with a Figure B3090 (Pipe Support - pages 132 & 133) the catalog number will become a Figure B3092 (see pages 136 & 137).

If combining a Figure B3089 (Pipe adjuster) with a Figure B3095 (Pipe Support Saddle - pages 134 & 135) the catalog number will become a Figure B3093 (see pages 138 & 139).



Part No.	To Support Pipe Size		B		D		Approx. Wt./100	
	in.	(mm)	in.	(mm)	in.	(mm)	Lbs.	(kg)
B3089-3/4	1½" - 2"	(40 - 50)	¾"	(20)	1½"	(40)	140	(63.5)
B3089-1½	2½" - 3½"	(65 - 90)	1½"	(40)	2½"	(65)	400	(181.4)
B3089-2½	4" - 12"	(100 - 300)	2½"	(65)	3"	(80)	700	(317.5)
B3089-3	14" - 16"	(350 - 400)	3"	(80)	4"	(100)	1000	(453.6)
B3089-4	18" - 36"	(450 - 900)	4"	(100)	6"	(150)	2200	(997.9)

When determining base stand height, add 6" (152.4mm) to the "C" dimension of the support being utilized on B3090, B3095, B3097, and B3094 pipe and flange supports. This will provide a vertical adjustment capability of 2¼" (57.1mm) each direction.

All dimensions in charts and on drawings are in inches. Dimensions shown in parentheses are in millimeters unless otherwise specified.

Pipe Supports, Guides, Shields & Saddles

B3090 - Pipe Support with U-Bolt

Size Range: 3/4" (20mm) thru 36" (900mm) pipe

Material: Steel

Function: Designed to support horizontal pipe from floor stanchion. U-bolts and hex nuts are provided to hold pipe securely to saddle. To complete floor stanchion, use with B3088 pipe stand.

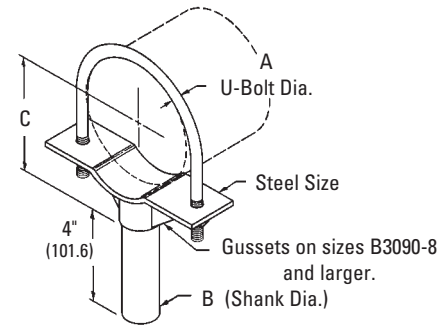
Approvals: Conforms to Federal Specification WW-H-171E & A-A-1192A, Type 38 and Manufacturers Standardization Society ANSI/MSS SP-69 & SP-58, Type 37

Maximum Temperature: 750°F (399°)

Finish: Plain. Contact customer service for alternative finishes and materials.

Order By: Part number and finish

Note: For vertical adjustment see Figure B3092 (pages 136 & 137)



* Shank will fit into nominal Schedule 40 pipe size 'D' of Base Stand Figure B3088 (not included).



Part No.	Pipe Size		Max. O.D. of Pipe		Steel Size		A	
	in.	(mm)	in.	(mm)	in.	(mm)	in.	(mm)
B3090-3/4	3/4"	(20)	1 3/8"	(34.9)	1/4" x 1 1/2"	(6.3 x 38.1)	1/4"	(6.4)
B3090-1	1"	(25)	1 3/8"	(34.9)	1/4" x 1 1/2"	(6.3 x 38.1)	1/4"	(6.4)
B3090-1 1/4	1 1/4"	(32)	1 11/16"	(42.9)	1/4" x 2"	(6.3 x 50.8)	3/8"	(9.5)
B3090-1 1/2	1 1/2"	(40)	2"	(50.8)	1/4" x 2"	(6.3 x 50.8)	3/8"	(9.5)
B3090-2	2"	(50)	2 7/16"	(61.9)	1/4" x 2"	(6.3 x 50.8)	3/8"	(9.5)
B3090-2 1/2	2 1/2"	(65)	2 7/8"	(73.0)	1/4" x 3"	(6.3 x 76.2)	1/2"	(12.7)
B3090-3	3"	(80)	3 1/2"	(88.9)	1/4" x 3"	(6.3 x 76.2)	1/2"	(12.7)
B3090-3 1/2	3 1/2"	(90)	4"	(101.6)	1/4" x 3"	(6.3 x 76.2)	1/2"	(12.7)
B3090-4	4"	(100)	4 7/8"	(123.8)	3/8" x 3 1/2"	(9.5 x 88.9)	1/2"	(12.7)
B3090-5	5"	(125)	5 5/8"	(142.9)	3/8" x 3 1/2"	(9.5 x 88.9)	1/2"	(12.7)
B3090-6	6"	(150)	6 29/32"	(175.4)	1/2" x 3 1/2"	(12.7 x 88.9)	5/8"	(15.9)
B3090-8	8"	(200)	9 1/8"	(231.8)	1/2" x 3 1/2"	(12.7 x 88.9)	5/8"	(15.9)
B3090-10	10"	(250)	11 3/32"	(281.8)	1/2" x 3 1/2"	(12.7 x 88.9)	3/4"	(19.0)
B3090-12	12"	(300)	13 3/16"	(335.0)	1/2" x 3 1/2"	(12.7 x 88.9)	7/8"	(22.2)
B3090-14	14"	(350)	14"	(355.6)	5/8" x 4"	(19.0 x 101.6)	7/8"	(22.2)
B3090-16	16"	(400)	16"	(406.4)	5/8" x 4"	(19.0 x 101.6)	7/8"	(22.2)
B3090-18	18"	(450)	18"	(457.2)	3/4" x 5"	(19.0 x 127.0)	1"	(25.4)
B3090-20	20"	(500)	20"	(508.0)	3/4" x 5"	(19.0 x 127.0)	1"	(25.4)
B3090-24	24"	(600)	24"	(609.6)	1" x 5"	(25.4 x 127.0)	1"	(25.4)
B3090-30	30"	(750)	30"	(762.0)	1" x 5"	(25.4 x 127.0)	1"	(25.4)
B3090-36	36"	(900)	36"	(914.4)	1" x 5"	(25.4 x 127.0)	1"	(25.4)

Note:

4" (100) thru 12" (300) fits both steel and ductile iron pipe.

For other ductile iron pipe sizes specify B3090DI - size.

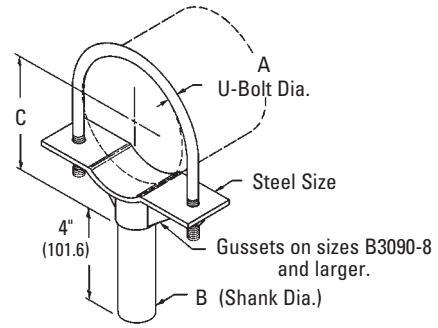
3" (80) ductile iron uses B3090-3 1/2

Not available for 36" (900) ductile iron pipe size

All dimensions in charts and on drawings are in inches. Dimensions shown in parentheses are in millimeters unless otherwise specified.

Pipe Supports, Guides, Shields & Saddles

B3090 - Pipe Support with U-Bolt cont.



C
Center of pipe to
bottom lip of support.

* Shank will fit into nominal
Schedule 40 pipe size 'D' of
Base Stand Figure B3088
(not included).

Note: For vertical adjustment see Figure B3092 (pages 136 & 137)

Part No.	B		C		D *		Approx. Wt./100	
	in.	(mm)	in.	(mm)	in.	(mm)	Lbs.	(kg)
B3090-3/4	3/4"	(19.0)	2"	(50.8)	3/4"	(19)	107	(48.5)
B3090-1	3/4"	(19.0)	2 ⁵ / ₃₂ "	(54.8)	3/4"	(19)	117	(53.1)
B3090-1 ¹ / ₄	3/4"	(19.0)	2 ²¹ / ₆₄ "	(59.1)	3/4"	(19)	149	(67.6)
B3090-1 ¹ / ₂	3/4"	(19.0)	2 ¹ / ₂ "	(63.5)	3/4"	(19)	166	(75.3)
B3090-2	3/4"	(19.0)	2 ¹¹ / ₁₆ "	(68.3)	3/4"	(19)	186	(84.4)
B3090-2 ¹ / ₂	1 ⁵ / ₁₆ "	(33.3)	3 ¹ / ₈ "	(79.4)	1 ¹ / ₂ "	(40)	251	(113.8)
B3090-3	1 ⁵ / ₁₆ "	(33.3)	3 ⁷ / ₁₆ "	(87.3)	1 ¹ / ₂ "	(40)	316	(143.3)
B3090-3 ¹ / ₂	1 ⁵ / ₁₆ "	(33.3)	3 ¹¹ / ₁₆ "	(93.7)	1 ¹ / ₂ "	(40)	317	(143.8)
B3090-4	2 ³ / ₈ "	(60.3)	4 ¹ / ₁₆ "	(103.2)	2 ¹ / ₂ "	(65)	586	(265.8)
B3090-5	2 ³ / ₈ "	(60.3)	4 ¹⁷ / ₃₂ "	(115.1)	2 ¹ / ₂ "	(65)	621	(281.7)
B3090-6	2 ³ / ₈ "	(60.3)	5 ⁵ / ₁₆ "	(134.9)	2 ¹ / ₂ "	(65)	895	(406.0)
B3090-8	2 ³ / ₈ "	(60.3)	6 ³ / ₄ "	(171.4)	2 ¹ / ₂ "	(65)	1115	(505.7)
B3090-10	2 ³ / ₈ "	(60.3)	7 ¹³ / ₁₆ "	(198.4)	2 ¹ / ₂ "	(65)	1423	(645.5)
B3090-12	2 ³ / ₈ "	(60.3)	8 ¹³ / ₁₆ "	(223.8)	2 ¹ / ₂ "	(65)	1846	(837.3)
B3090-14	2 ⁷ / ₈ "	(73.0)	10 ⁹ / ₁₆ "	(268.3)	3"	(80)	2593	(1176.2)
B3090-16	2 ⁷ / ₈ "	(73.0)	11 ⁹ / ₁₆ "	(293.7)	3"	(80)	2825	(1281.4)
B3090-18	4"	(101.6)	13 ⁹ / ₁₆ "	(344.5)	4"	(100)	4843	(2196.8)
B3090-20	4"	(101.6)	14 ⁹ / ₁₆ "	(369.9)	4"	(100)	5225	(2370.0)
B3090-24	4"	(101.6)	16 ⁹ / ₁₆ "	(420.7)	4"	(100)	6970	(3161.6)
B3090-30	4"	(101.6)	20 ¹¹ / ₁₆ "	(525.5)	4"	(100)	8587	(3895.0)
B3090-36	4"	(101.6)	23 ¹¹ / ₁₆ "	(601.7)	4"	(100)	9977	(4525.5)

Note:

4" (100) thru 12" (300) fits both steel and ductile iron pipe.

For other ductile iron pipe sizes specify B3090DI - size.

3" (80) ductile iron uses B3090-3¹/₂

Not available for 36" (900) ductile iron pipe size

All dimensions in charts and on drawings are in inches. Dimensions shown in parentheses are in millimeters unless otherwise specified.

Pipe Supports, Guides, Shields & Saddles

B3095 - Pipe Saddle Support

Size Range: 1 1/2" (40mm) thru 36" (900mm) pipe

Material: Steel

Function: Designed to support horizontal pipe from floor stanchion. To complete floor stanchion, use with B3088 pipe stand.

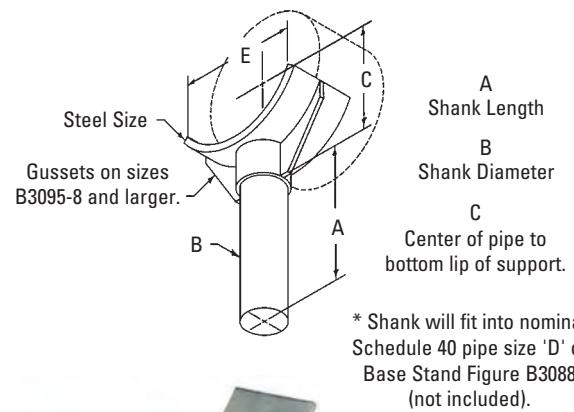
Approvals: Conforms to Federal Specification WW-H-171E & A-A-1192A, Type 37 and Manufacturers Standardization Society ANSI/MSS SP-69 & SP-58, Type 36

Maximum Temperature: 750°F (399°C)

Finish: Plain. Contact customer service for alternative finishes and materials.

Order By: Part number and finish

Note: For vertical adjustment see Figure B3093 (pages 138 & 139)



* Shank will fit into nominal Schedule 40 pipe size 'D' of Base Stand Figure B3088 (not included).

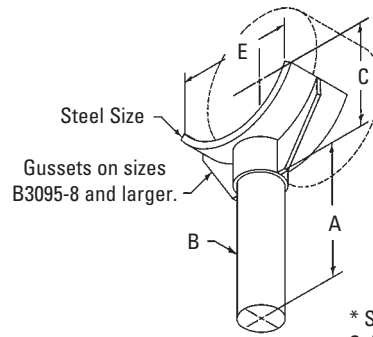


Part No.	Pipe Size		Max. O.D. of Pipe		A		B		C	
	in.	(mm)	in.	(mm)	in.	(mm)	in.	(mm)	in.	(mm)
B3095-1	1"	(25)	1 5/16"	(33.3)	3"	(76.2)	3/4"	(19.0)	1 29/32"	(48.4)
B3095-1 1/4	1 1/4"	(32)	1 11/16"	(42.9)	3"	(76.2)	3/4"	(19.0)	2 5/64"	(52.8)
B3095-1 1/2	1 1/2"	(40)	1 15/16"	(49.2)	3"	(76.2)	3/4"	(19.0)	2 13/64"	(55.9)
B3095-2	2"	(50)	2 3/8"	(60.3)	3"	(76.2)	3/4"	(19.0)	2 7/16"	(61.9)
B3095-2 1/2	2 1/2"	(65)	2 7/8"	(73.0)	4"	(101.6)	1 5/16"	(33.3)	2 9/16"	(65.1)
B3095-3	3"	(80)	3 1/2"	(88.9)	4"	(101.6)	1 5/16"	(33.3)	3"	(76.2)
B3095-3 1/2	3 1/2"	(90)	4"	(101.6)	4"	(101.6)	1 5/16"	(33.3)	3 1/4"	(82.5)
B3095-4	4"	(100)	4 7/8"	(123.8)	4"	(101.6)	2 3/8"	(60.3)	3 1/2"	(88.9)
B3095-5	5"	(125)	5 5/8"	(142.9)	4"	(101.6)	2 3/8"	(60.3)	4 1/32"	(102.4)
B3095-6	6"	(150)	7"	(177.8)	4"	(101.6)	2 3/8"	(60.3)	4 11/16"	(119.1)
B3095-8	8"	(200)	9 1/8"	(231.8)	4"	(101.6)	2 3/8"	(60.3)	6 1/16"	(154.0)
B3095-10	10"	(250)	11 1/8"	(282.6)	4"	(101.6)	2 3/8"	(60.3)	7 3/4"	(196.8)
B3095-12	12"	(300)	13 1/2"	(342.9)	4"	(101.6)	2 3/8"	(60.3)	8 3/4"	(222.2)
B3095-14	14"	(350)	14"	(355.6)	4"	(101.6)	2 7/8"	(72.9)	10 3/4"	(273.0)
B3095-16	16"	(400)	16"	(406.4)	4"	(101.6)	2 7/8"	(72.9)	11 3/4"	(298.4)
B3095-18	18"	(450)	18"	(457.2)	4"	(101.6)	4"	(101.6)	14 1/2"	(368.3)
B3095-20	20"	(500)	20"	(508.0)	4"	(101.6)	4"	(101.6)	14 1/2"	(368.3)
B3095-24	24"	(600)	24"	(609.6)	4"	(101.6)	4"	(101.6)	17 3/4"	(450.8)
B3095-30	30"	(750)	30"	(762.0)	4"	(101.6)	4"	(101.6)	21 1/4"	(539.7)
B3095-36	36"	(900)	36"	(914.4)	4"	(101.6)	4"	(101.6)	24 1/4"	(615.9)

Note:
 4" (100) thru 12" (300) fits both steel and ductile iron pipe.
 For other ductile iron pipe sizes specify B3095D1 - size.
 3" (80) ductile iron uses B3095-3 1/2
 Not available for 36" (900) ductile iron pipe size

All dimensions in charts and on drawings are in inches. Dimensions shown in parentheses are in millimeters unless otherwise specified.

B3095 - Pipe Saddle Support cont.



A
Shank Length
B
Shank Diameter
C
Center of pipe to
bottom lip of support.

* Shank will fit into nominal
Schedule 40 pipe size 'D'
of Base Stand Figure B3088
(not included).

Note: For vertical adjustment see Figure B3093 (pages 138 & 139)

Part No.	D *		E		Approx. Wt./100	
	in.	(mm)	in.	(mm)	Lbs.	(kg)
B3095-1	3/4"	(20)	1 1/8"	(28.6)	49	(22.2)
B3095-1 1/4	3/4"	(20)	1 7/16"	(36.5)	81	(36.7)
B3095-1 1/2	3/4"	(20)	1 21/32"	(42.0)	88	(39.9)
B3095-2	3/4"	(20)	2 1/16"	(52.4)	94	(42.6)
B3095-2 1/2	1 1/2"	(40)	2 1/2"	(63.5)	167	(75.7)
B3095-3	1 1/2"	(40)	3 1/32"	(77.0)	176	(79.8)
B3095-3 1/2	1 1/2"	(40)	3 7/16"	(87.3)	188	(85.3)
B3095-4	2 1/2"	(65)	4 1/4"	(107.9)	364	(165.1)
B3095-5	2 1/2"	(65)	4 13/16"	(122.2)	381	(172.8)
B3095-6	2 1/2"	(65)	6 1/16"	(154.0)	534	(242.2)
B3095-8	2 1/2"	(65)	7 15/16"	(201.5)	796	(361.0)
B3095-10	2 1/2"	(65)	9 5/8"	(244.5)	914	(414.6)
B3095-12	2 1/2"	(65)	11 11/16"	(296.9)	1068	(484.4)
B3095-14	3"	(80)	12 1/8"	(308.0)	1654	(750.2)
B3095-16	3"	(80)	13 7/8"	(352.4)	1817	(824.2)
B3095-18	4"	(100)	15 19/32"	(396.1)	2798	(1269.2)
B3095-20	4"	(100)	17 5/16"	(439.7)	3018	(1368.9)
B3095-24	4"	(100)	20 25/32"	(527.8)	3018	(1368.9)
B3095-30	4"	(100)	26"	(660.4)	7624	(3458.2)
B3095-36	4"	(100)	31 3/16"	(792.2)	8877	(4026.6)

Note:

4" (100) thru 12" (300) fits both steel and ductile iron pipe.

For other ductile iron pipe sizes specify B3095DI - size.

3" (80) ductile iron uses B3095-3 1/2

Not available for 36" (900) ductile iron pipe size

All dimensions in charts and on drawings are in inches. Dimensions shown in parentheses are in millimeters unless otherwise specified.

Pipe Supports, Guides, Shields & Saddles

B3092 - Adjustable Pipe Saddle Support with Yoke

Size Range: 3/4" (20mm) thru 36" (900mm) pipe

Material: Steel with cast iron reducer

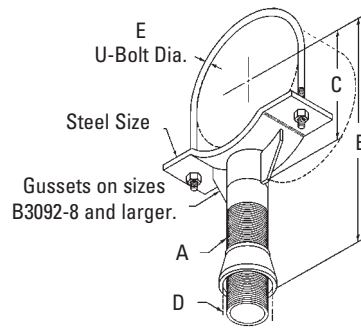
Function: Designed to support horizontal pipe from floor stanchion where vertical adjustment is required. U-bolt and hex nuts are provided to hold pipe securely to saddle. To complete floor stanchion, use with B3088T threaded pipe stand.

Approvals: Conforms to Federal Specification WW-H-171E & A-A-1192A, Type 38 and Manufacturers Standardization Society ANSI/MSS SP-69 & SP-58, Type 37.

Finish: Plain. Contact customer service for alternative finishes and materials.

Order By: Part number and finish

Notes: Order with B3088T (page 128) for complete stanchion support.
4" (100) thru 12" (300) fits both steel and ductile iron pipe. For other ductile iron pipe sizes specify B3092D1 - size. 3" (80) Ductile Iron uses B3092-3 1/2
Not available for 36" (900) ductile iron pipe size



A
Schedule 40 Pipe Size

B
Center of pipe to bottom of pipe reducer.

C
Center of pipe to bottom lip of support.

D
Nominal pipe size of base stand - Figure B3088T, not included.

E
U-Bolt Dia.

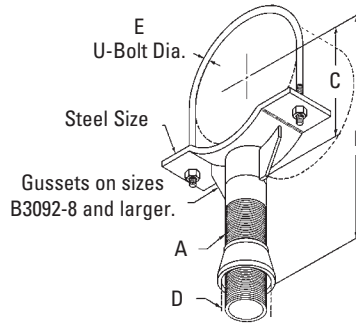


Part No.	Pipe Size in. (mm)	Maximum in. (mm)	A		B	
			in. (mm)	Minimum in. (mm)	Maximum in. (mm)	
B3092-3/4	3/4" (19)	1 3/8" (34.9)	3/4" (19)	5 3/4" (146.0)	10 1/4" (260.3)	
B3092-1	1" (25)	1 3/8" (34.9)	3/4" (19)	5 29/32" (150.0)	10 13/32" (264.3)	
B3092-1 1/4	1 1/4" (32)	1 11/16" (42.9)	3/4" (19)	6 5/64" (154.4)	10 37/64" (268.7)	
B3092-1 1/2	1 1/2" (38)	2" (50.8)	3/4" (19)	6 1/4" (158.7)	10 3/4" (273.0)	
B3092-2	2" (50)	2 7/16" (61.9)	3/4" (19)	6 7/16" (163.5)	10 15/16" (277.8)	
B3092-2 1/2	2 1/2" (65)	2 7/8" (73.0)	1 1/2" (40)	6 7/8" (174.6)	11 3/8" (288.9)	
B3092-3	3" (80)	3 1/2" (88.9)	1 1/2" (40)	7 3/16" (182.6)	11 11/16" (296.9)	
B3092-3 1/2	3 1/2" (90)	4" (101.6)	1 1/2" (40)	7 7/16" (188.9)	11 15/16" (303.2)	
B3092-4	4" (100)	4 7/8" (123.8)	2 1/2" (65)	7 13/16" (198.4)	12 5/16" (312.7)	
B3092-5	5" (125)	5 5/8" (142.9)	2 1/2" (65)	8 9/32" (210.3)	12 25/32" (324.6)	
B3092-6	6" (150)	6 29/32" (175.4)	2 1/2" (65)	9 1/16" (230.2)	13 9/16" (344.5)	
B3092-8	8" (200)	9 1/8" (231.8)	2 1/2" (65)	10 1/2" (266.7)	15" (381.0)	
B3092-10	10" (250)	11 3/32" (281.8)	2 1/2" (65)	11 9/16" (293.7)	16 1/16" (408.0)	
B3092-12	12" (300)	13 3/16" (334.9)	2 1/2" (65)	12 9/16" (319.1)	17 1/16" (433.4)	
B3092-14	14" (350)	14" (355.6)	3" (80)	14 5/16" (363.5)	18 13/16" (477.8)	
B3092-16	16" (400)	16" (406.4)	3" (80)	15 5/16" (388.9)	19 13/16" (503.2)	
B3092-18	18" (450)	18" (457.2)	4" (100)	17 5/16" (439.7)	21 13/16" (554.0)	
B3092-20	20" (500)	20" (508.0)	4" (100)	18 5/16" (465.1)	22 13/16" (579.4)	
B3092-24	24" (600)	24" (609.6)	4" (100)	20 5/16" (515.9)	24 13/16" (630.2)	
B3092-30	30" (750)	30" (762.0)	4" (100)	24 7/16" (620.7)	28 15/16" (735.0)	
B3092-36	36" (900)	36" (914.4)	4" (100)	27 7/16" (696.9)	31 15/16" (811.2)	

All dimensions in charts and on drawings are in inches. Dimensions shown in parentheses are in millimeters unless otherwise specified.

Pipe Supports, Guides, Shields & Saddles

B3092 - Adjustable Pipe Saddle Support with Yoke cont.



- A
Schedule 40 Pipe Size
- B
Center of pipe to
bottom of pipe reducer.
- C
Center of pipe to
bottom lip of support.
- D
Nominal pipe size of base
stand - Figure B3088T, not
included.
- E
U-Bolt Dia.

Supports, Guides,
Shields & Saddles

Part No.	C		D		E		Saddle Steel Size		Approx. Wt./100	
	in.	(mm)	in.	(mm)	in.	(mm)	in.	(mm)	Lbs.	(kg)
B3092-3/4	2"	(50.8)	1 1/2"	(38)	1/4"	(6.4)	1/4" x 1 1/2"	(6.3 x 38.1)	247	(112.0)
B3092-1	2 5/32"	(54.8)	1 1/2"	(38)	1/4"	(6.4)	1/4" x 1 1/2"	(6.3 x 38.1)	257	(116.6)
B3092-1 1/4	2 21/64"	(59.1)	1 1/2"	(38)	3/8"	(9.5)	1/4" x 2"	(6.3 x 50.8)	289	(131.1)
B3092-1 1/2	2 1/2"	(63.5)	1 1/2"	(38)	3/8"	(9.5)	1/4" x 2"	(6.3 x 50.8)	306	(138.8)
B3092-2	2 11/16"	(68.3)	1 1/2"	(38)	3/8"	(9.5)	1/4" x 2"	(6.3 x 50.8)	326	(147.9)
B3092-2 1/2	3 1/8"	(79.4)	2 1/2"	(65)	1/2"	(12.7)	1/4" x 3"	(6.3 x 76.2)	651	(295.3)
B3092-3	3 7/16"	(87.3)	2 1/2"	(65)	1/2"	(12.7)	1/4" x 3"	(6.3 x 76.2)	716	(324.8)
B3092-3 1/2	3 11/16"	(93.7)	2 1/2"	(65)	1/2"	(12.7)	1/4" x 3"	(6.3 x 76.2)	717	(325.2)
B3092-4	4 1/4"	(107.9)	3"	(80)	1/2"	(12.7)	3/8" x 3 1/2"	(9.5 x 88.9)	1286	(583.3)
B3092-5	4 9/16"	(115.9)	3"	(80)	1/2"	(12.7)	3/8" x 3 1/2"	(9.5 x 88.9)	1321	(599.2)
B3092-6	5 1/2"	(139.7)	3"	(80)	5/8"	(15.9)	1/2" x 3 1/2"	(12.7 x 88.9)	1595	(723.5)
B3092-8	7"	(177.8)	3"	(80)	5/8"	(15.9)	1/2" x 3 1/2"	(12.7 x 88.9)	1815	(823.3)
B3092-10	8"	(203.2)	3"	(80)	3/4"	(19.0)	1/2" x 3 1/2"	(12.7 x 88.9)	2123	(963.0)
B3092-12	9 3/16"	(233.4)	3"	(80)	7/8"	(22.2)	1/2" x 3 1/2"	(12.7 x 88.9)	2546	(1154.8)
B3092-14	10 9/16"	(268.3)	4"	(100)	7/8"	(22.2)	5/8" x 4"	(15.9 x 101.6)	3593	(1629.8)
B3092-16	11 9/16"	(293.7)	4"	(100)	7/8"	(22.2)	5/8" x 4"	(15.9 x 101.6)	3825	(1735.0)
B3092-18	13 9/16"	(344.5)	6"	(150)	1"	(25.4)	3/4" x 5"	(19.0 x 127.0)	7043	(3194.7)
B3092-20	14 9/16"	(369.9)	6"	(150)	1"	(25.4)	3/4" x 5"	(19.0 x 127.0)	7425	(3368.0)
B3092-24	16 9/16"	(420.7)	6"	(150)	1"	(25.4)	1" x 5"	(25.4 x 127.0)	9170	(4159.5)
B3092-30	20 11/16"	(525.5)	6"	(150)	1"	(25.4)	1" x 5"	(25.4 x 127.0)	10787	(4893.0)
B3092-36	23 11/16"	(601.7)	6"	(150)	1"	(25.4)	1" x 5"	(25.4 x 127.0)	12177	(5523.5)

All dimensions in charts and on drawings are in inches. Dimensions shown in parentheses are in millimeters unless otherwise specified.

Pipe Supports, Guides, Shields & Saddles

B3093 - Adjustable Pipe Saddle Support

Size Range: 1" (25mm) thru 36" (900mm) pipe

Material: Steel with cast iron reducer

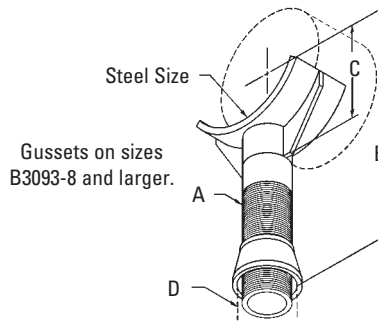
Function: Designed to support horizontal pipe from floor stanchion where vertical adjustment is required. U-bolt and hex nuts are provided to hold pipe securely to saddle. To complete floor stanchion, use with B3088T threaded pipe stand.

Approvals: Conforms to Federal Specification WW-H-171E & A-A-1192A, Type 39 and Manufacturers Standardization Society ANSI/MSS SP-69 & SP-58, Type 38.

Finish: Plain. Contact customer service for alternative finishes and materials.

Order By: Part number and finish

Note: Order with B3088T (page 128) for complete stanchion support.



A
Schedule 40 Pipe Size
B
Center of pipe to
bottom of pipe reducer.
C
Center of pipe to
bottom lip of support.
D
Nominal pipe size of base stand -
Figure B3088T, not included.



Plain

Part No.	Pipe Size in. (mm)	A		B		C	
		Maximum in. (mm)	in. (mm)	Minimum in. (mm)	Maximum in. (mm)	in. (mm)	in. (mm)
B3093-1	1" (25)	1 ⁵ / ₁₆ " (33.3)	3/4" (20)	5 ²¹ / ₃₂ " (143.6)	10 ⁵ / ₃₂ " (257.9)	1 ²⁹ / ₃₂ " (48.4)	
B3093-1 ¹ / ₄	1 ¹ / ₄ " (32)	1 ¹¹ / ₁₆ " (42.9)	3/4" (20)	5 ⁵³ / ₆₄ " (148.0)	10 ²¹ / ₆₄ " (2262.3)	2 ⁵ / ₆₄ " (52.8)	
B3093-1 ¹ / ₂	1 ¹ / ₂ " (40)	1 ²⁹ / ₃₂ " (48.4)	3/4" (20)	6" (152.4)	10 ¹ / ₂ " (266.7)	2 ¹ / ₄ " (58.1)	
B3093-2	2" (50)	2 ³ / ₈ " (60.3)	3/4" (20)	6 ³ / ₁₆ " (157.2)	10 ¹¹ / ₁₆ " (271.5)	2 ⁷ / ₁₆ " (61.9)	
B3093-2 ¹ / ₂	2 ¹ / ₂ " (65)	2 ⁷ / ₈ " (73.0)	1 ¹ / ₂ " (40)	6 ⁵ / ₁₆ " (160.3)	10 ¹³ / ₁₆ " (274.6)	2 ⁹ / ₁₆ " (65.1)	
B3093-3	3" (80)	3 ¹ / ₂ " (88.9)	1 ¹ / ₂ " (40)	6 ⁵ / ₈ " (168.3)	11 ¹ / ₈ " (282.6)	2 ⁷ / ₈ " (73.0)	
B3093-3 ¹ / ₂	3 ¹ / ₂ " (90)	4" (101.6)	1 ¹ / ₂ " (40)	6 ⁷ / ₈ " (174.6)	11 ³ / ₈ " (288.9)	3 ¹ / ₈ " (79.4)	
B3093-4	4" (100)	4 ⁷ / ₈ " (123.8)	2 ¹ / ₂ " (65)	7 ¹ / ₄ " (184.1)	11 ³ / ₄ " (298.4)	3 ¹ / ₂ " (88.9)	
B3093-5	5" (125)	5 ⁹ / ₁₆ " (141.3)	2 ¹ / ₂ " (65)	7 ²⁵ / ₃₂ " (197.6)	12 ⁹ / ₃₂ " (311.9)	4 ¹ / ₃₂ " (102.4)	
B3093-6	6" (150)	7" (177.8)	2 ¹ / ₂ " (65)	8 ⁷ / ₁₆ " (214.3)	12 ¹⁵ / ₁₆ " (328.6)	4 ¹¹ / ₁₆ " (119.1)	
B3093-8	8" (200)	9 ¹ / ₈ " (231.8)	2 ¹ / ₂ " (65)	10 ¹ / ₄ " (260.3)	14 ³ / ₄ " (374.6)	6 ¹ / ₂ " (165.1)	
B3093-10	10" (250)	11 ¹ / ₈ " (282.6)	2 ¹ / ₂ " (65)	11 ⁵ / ₁₆ " (287.3)	15 ¹³ / ₁₆ " (401.6)	7 ⁹ / ₁₆ " (192.1)	
B3093-12	12" (300)	13 ¹ / ₂ " (342.9)	2 ¹ / ₂ " (65)	12 ¹ / ₈ " (308.0)	16 ⁵ / ₈ " (422.3)	8 ³ / ₈ " (212.7)	
B3093-14	14" (350)	14" (355.6)	3" (80)	14 ¹ / ₂ " (368.3)	19" (482.6)	10 ³ / ₄ " (273.0)	
B3093-16	16" (400)	16" (406.4)	3" (80)	15 ¹ / ₂ " (393.7)	20" (508.0)	11 ³ / ₄ " (298.4)	
B3093-18	18" (450)	18" (457.2)	4" (100)	17 ¹ / ₄ " (438.1)	21 ³ / ₄ " (552.4)	13 ¹ / ₂ " (342.9)	
B3093-20	20" (500)	20" (508.0)	4" (100)	18 ¹ / ₄ " (463.5)	22 ³ / ₄ " (577.8)	14 ¹ / ₂ " (368.3)	
B3093-24	24" (600)	24" (609.6)	4" (100)	21 ¹ / ₂ " (546.1)	26" (660.4)	17 ³ / ₄ " (450.8)	
B3093-30	30" (750)	30" (762.0)	4" (100)	24 ⁵ / ₈ " (625.5)	29 ¹ / ₈ " (739.8)	20 ⁷ / ₈ " (530.2)	
B3093-36	36" (900)	36" (914.4)	4" (100)	27 ⁵ / ₈ " (701.7)	32 ¹ / ₈ " (816.0)	23 ⁷ / ₈ " (606.4)	

Note:

4" (100) thru 12" (300) fits both steel and ductile iron pipe.

For other ductile iron pipe sizes specify B3093DI - size.

3" (80) ductile iron uses B3093-3¹/₂

Not available for 36" (900) ductile iron pipe size

All dimensions in charts and on drawings are in inches. Dimensions shown in parentheses are in millimeters unless otherwise specified.

B3093 - Adjustable Pipe Saddle Support cont.



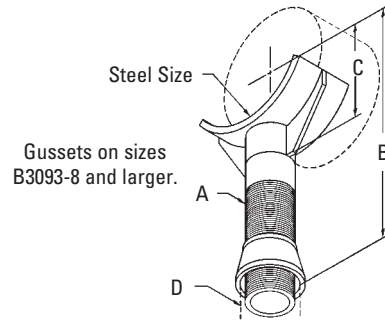
Electro-Galvanized

A
Schedule 40 Pipe Size

B
Center of pipe to bottom of pipe reducer.

C
Center of pipe to bottom lip of support.

D
Nominal pipe size of base stand - Figure B3088T, not included.



Part No.	D in. (mm)	Saddle Steel Size		Approx. Wt./100			
		in.	(mm)	Complete Lbs. (kg)	Saddle Only Lbs. (kg)		
B3093-1	1 1/2" (40)	1/4" x 1 3/4"	(6.3 x 44.4)	189	(85.7)	49	(22.2)
B3093-1 1/4	1 1/2" (40)	1/4" x 1 3/4"	(6.3 x 44.4)	221	(100.2)	81	(36.7)
B3093-1 1/2	1 1/2" (40)	1/4" x 1 3/4"	(6.3 x 44.4)	228	(103.4)	88	(39.9)
B3093-2	1 1/2" (40)	1/4" x 1 3/4"	(6.3 x 44.4)	234	(106.1)	94	(42.6)
B3093-2 1/2	2 1/2" (65)	1/4" x 3"	(6.3 x 76.2)	567	(257.2)	167	(75.8)
B3093-3	2 1/2" (65)	1/4" x 3"	(6.3 x 76.2)	576	(261.3)	176	(79.9)
B3093-3 1/2	2 1/2" (65)	1/4" x 3"	(6.3 x 76.2)	588	(266.7)	188	(85.3)
B3093-4	3" (80)	1/4" x 4"	(6.3 x 101.6)	1064	(482.6)	364	(165.1)
B3093-5	3" (80)	1/4" x 4"	(6.3 x 101.6)	1081	(490.3)	381	(172.8)
B3093-6	3" (80)	3/8" x 4"	(9.5 x 101.6)	1234	(559.7)	534	(242.2)
B3093-8	3" (80)	3/8" x 4"	(9.5 x 101.6)	1496	(678.6)	796	(361.1)
B3093-10	3" (80)	3/8" x 4"	(9.5 x 101.6)	1614	(732.1)	914	(414.6)
B3093-12	3" (80)	3/8" x 4"	(9.5 x 101.6)	1768	(801.9)	1068	(484.4)
B3093-14	4" (100)	3/8" x 5"	(9.5 x 127.0)	2654	(1203.8)	1654	(750.2)
B3093-16	4" (100)	3/8" x 5"	(9.5 x 127.0)	2817	(1277.8)	1817	(824.2)
B3093-18	6" (150)	1/2" x 5"	(12.7 x 127.0)	4998	(2267.1)	2798	(1269.1)
B3093-20	6" (150)	1/2" x 5"	(12.7 x 127.0)	5218	(2366.8)	3018	(1368.9)
B3093-24	6" (150)	1/2" x 6"	(12.7 x 152.4)	6346	(2878.5)	4146	(1880.6)
B3093-30	6" (150)	1" x 6"	(25.4 x 152.4)	9824	(4456.1)	7624	(3458.2)
B3093-36	6" (150)	1" x 6"	(25.4 x 152.4)	11077	(5024.4)	8877	(4026.5)

Note:

4" (100) thru 12" (300) fits both steel and ductile iron pipe.

For other ductile iron pipe sizes specify B3093D1 - size.

3" (80) ductile iron uses B3093-3 1/2

Not available for 36" (900) ductile iron pipe size

All dimensions in charts and on drawings are in inches. Dimensions shown in parentheses are in millimeters unless otherwise specified.

Pipe Supports, Guides, Shields & Saddles

B3097 - Pipe Saddle Support With Strap

Size Range: Size 4" (100mm) thru 36" (900mm) pipe

Material: Steel

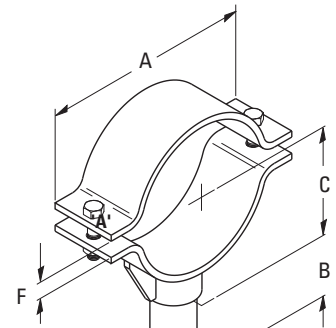
Function: Designed to support horizontal pipe from floor stanchion. Top clamp holds pipe securely to saddle. To complete floor stanchion use with B3088 pipe stand.

Approvals: Conforms to Federal Specification WW-H-171E & A-A-1192A, Type 38 and Manufacturers Standardization Society ANSI/MSS SP-69 & SP-58, Type 37.

Finish: Plain. Contact customer service for alternative finishes and materials.

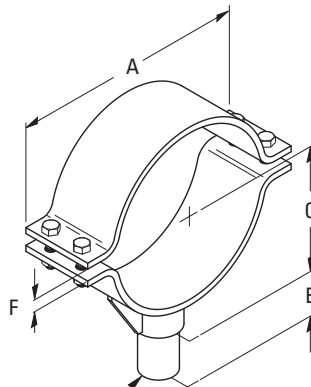
Order By: Part number, pipe size and finish

Note: For vertical adjustment use with Figure B3089 (Pipe Adjuster - page 131) and Figure B3088T (Threaded Pipe Stand - page 128).



Gussets on sizes B3097-8 and larger.

'E' Shank Diameter
 * Shank will fit into nominal Schedule 40 pipe size 'D' of Base Stand Figure B3088 (not included).
 Sizes 4" (100mm) thru 12" (300mm)



'D' Shank Diameter
 * Shank will fit into nominal Schedule 40 pipe size 'E' of Base Stand Figure B3088 (not included).
 Sizes 14" (350mm) thru 36" (900mm)



Part No.	Pipe Size in. (mm)	A		B		C		D *		E		F in. (mm)	Bolt Size	Approx. Wt./100	
		in.	(mm)	in.	(mm)	in.	(mm)	in.	(mm)	in.	(mm)			Lbs.	(kg)
B3097-4	4" (100)	7"	(123.8)	2"	(50.8)	3 ³ / ₁₆ "	(65)	2 ¹ / ₂ "	(63.5)	2 ³ / ₈ "	(60.3)	3/4" (19.0)	1/2"-13	1050	(476.4)
B3097-5	5" (125)	8 ⁵ / ₈ "	(141.3)	2"	(50.8)	4 ³ / ₁₆ "	(65)	2 ¹ / ₂ "	(63.5)	2 ³ / ₈ "	(60.3)	3/4" (19.0)	1/2"-13	1162	(527.1)
B3097-6	6" (150)	11"	(177.8)	2"	(50.8)	4 ⁷ / ₈ "	(65)	2 ¹ / ₂ "	(63.5)	2 ³ / ₈ "	(60.3)	7/8" (22.2)	5/8"-11	1371	(622.0)
B3097-8	8" (200)	12 ⁷ / ₈ "	(231.8)	2"	(50.8)	6 ¹⁵ / ₁₆ "	(65)	2 ¹ / ₂ "	(63.5)	2 ³ / ₈ "	(60.3)	1" (25.4)	5/8"-11	1751	(794.4)
B3097-10	10" (250)	16 ¹ / ₄ "	(282.6)	2"	(50.8)	7 ¹⁵ / ₁₆ "	(65)	2 ¹ / ₂ "	(63.5)	2 ³ / ₈ "	(60.3)	1" (25.4)	3/4"-10	2174	(986.3)
B3097-12	12" (300)	18 ¹ / ₄ "	(342.9)	3"	(76.2)	9 ¹ / ₈ "	(65)	2 ¹ / ₂ "	(63.5)	2 ³ / ₈ "	(60.3)	1" (25.4)	3/4"-10	2496	(1132.2)
B3097-14	14" (350)	19 ³ / ₄ "	(355.6)	3"	(76.2)	10 ¹ / ₂ "	(80)	3"	(76.2)	2 ⁷ / ₈ "	(73.0)	1 ¹ / ₈ " (28.6)	3/4"-10	5220	(2367.8)
B3097-16	16" (400)	22 ³ / ₄ "	(406.4)	3"	(76.2)	11 ¹ / ₂ "	(80)	3"	(76.2)	2 ⁷ / ₈ "	(73.0)	1 ¹ / ₈ " (28.6)	3/4"-10	5965	(2705.6)
B3097-18	18" (450)	25 ⁷ / ₈ "	(457.2)	4"	(101.6)	13 ¹ / ₂ "	(100)	4"	(101.6)	3 ³ / ₄ "	(95.2)	1 ¹ / ₄ " (31.7)	3/4"-10	7265	(3295.3)
B3097-20	20" (500)	27 ³ / ₄ "	(508.0)	4"	(101.6)	14 ¹ / ₂ "	(100)	4"	(101.6)	3 ³ / ₄ "	(95.2)	1 ³ / ₈ " (34.9)	3/4"-10	7722	(3502.8)
B3097-22	22" (550)	29 ³ / ₄ "	(609.6)	4"	(101.6)	15 ¹ / ₂ "	(100)	4"	(101.6)	3 ³ / ₄ "	(95.2)	1 ³ / ₈ " (34.9)	3/4"-10	8336	(3781.3)
B3097-24	24" (600)	33"	(609.6)	4"	(101.6)	17 ¹ / ₂ "	(100)	4"	(101.6)	3 ³ / ₄ "	(95.2)	1 ⁵ / ₈ " (41.3)	7/8"-9	9583	(4346.8)
B3097-26	26" (650)	35"	(762.0)	4"	(101.6)	18 ¹ / ₂ "	(100)	4"	(101.6)	3 ³ / ₄ "	(95.2)	2" (50.8)	7/8"-9	9913	(4496.4)
B3097-30	30" (750)	41 ³ / ₈ "	(762.0)	4"	(101.6)	20 ⁵ / ₈ "	(100)	4"	(101.6)	3 ³ / ₄ "	(95.2)	2" (50.8)	7/8"-9	13778	(6249.6)
B3097-32	32" (800)	43 ³ / ₈ "	(762.0)	4"	(101.6)	21 ⁵ / ₈ "	(100)	4"	(101.6)	3 ³ / ₄ "	(95.2)	2" (50.8)	7/8"-9	14481	(6568.6)
B3097-36	36" (900)	47 ³ / ₈ "	(1203.2)	4"	(101.6)	23 ⁵ / ₈ "	(600.1)	4"	(101.6)	3 ³ / ₄ "	(95.2)	2" (50.8)	7/8"-9	15767	(7151.8)

All dimensions in charts and on drawings are in inches. Dimensions shown in parentheses are in millimeters unless otherwise specified.

B3098 - Adjustable Pipe Support With U-Bolt

Size Range: 2" (50mm) thru 12" (300mm) pipe

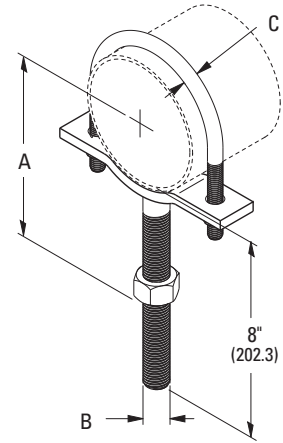
Material: Steel

Function: Designed to support horizontal pipe from floor stanchion where vertical adjustment is required. U-bolt and hex nuts are provided to hold pipe securely to saddle.

Maximum Temperature: 650°F (343°C)

Finish: Plain. Contact customer service for alternative finishes and materials.

Order By: Part number and finish



Part No.	Pipe Size		Max. Pipe O.D.		A		Bolt Size		C	Use With B3088 Pipe Stand	Approx. Wt./100	
	in.	(mm)	in.	(mm)	in.	(mm)	B	in.			(mm)	Lbs.
B3098-2	2"	(50)	2 ³ / ₄ "	(69.8)	6"	(152.4)	7/8"-9	3/8"	(9.5)	1"	210	(95.2)
B3098-2 ¹ / ₂	2 ¹ / ₂ "	(650)	3 ¹ / ₄ "	(82.5)	6 ¹ / ₂ "	(165.1)	7/8"-9	3/8"	(9.5)	1"	219	(99.3)
B3098-3	3"	(80)	3 ¹ / ₂ "	(88.9)	6 ³ / ₄ "	(171.4)	7/8"-9	1/2"	(12.7)	1"	240	(108.8)
B3098-3 ¹ / ₂	3 ¹ / ₂ "	(90)	4"	(101.6)	6 ³ / ₄ "	(171.4)	7/8"-9	1/2"	(12.7)	1"	240	(108.8)
B3098-4	4"	(100)	4 ⁷ / ₈ "	(123.8)	7 ¹ / ₂ "	(190.5)	1"-8	1/2"	(12.7)	1"	340	(154.2)
B3098-5	5"	(125)	5 ⁵ / ₈ "	(142.9)	7 ³ / ₄ "	(196.8)	1"-8	1/2"	(12.7)	1"	360	(163.3)
B3098-6	6"	(150)	7"	(177.8)	8 ³ / ₈ "	(212.7)	1 ¹ / ₄ "-7	5/8"	(15.9)	1 ¹ / ₄ "	580	(263.1)
B3098-8	8"	(200)	9 ¹ / ₈ "	(231.8)	9 ¹ / ₂ "	(241.2)	1 ¹ / ₄ "-7	5/8"	(15.9)	1 ¹ / ₄ "	640	(290.3)
B3098-10	10"	(250)	11 ¹ / ₈ "	(282.6)	10"	(254.0)	1 ¹ / ₄ "-7	3/4"	(19.0)	1 ¹ / ₄ "	1060	(480.8)
B3098-12	12"	(300)	13 ¹ / ₂ "	(342.9)	11 ¹ / ₄ "	(285.7)	1 ¹ / ₄ "-7	7/8"	(22.2)	1 ¹ / ₄ "	1060	(480.8)

All dimensions in charts and on drawings are in inches. Dimensions shown in parentheses are in millimeters unless otherwise specified.

Pipe Supports, Guides, Shields & Saddles

B3094 - Flange Support

Size Range: 4" (100mm) thru 36" (900mm) pipe

Material: Steel

Function: Designed to support 125 lb. cast iron and 150 lb. forged steel flanged connections. (Consult factory for other flanged bolt patterns). To complete floor stanchion, use B3088 pipe stand.

Approvals: Conforms to Federal Specification WW-H-171E & A-A-1192A, Type 38 and Manufacturers Standardization Society ANSI/MSS SP-69 & SP-58, Type 37.

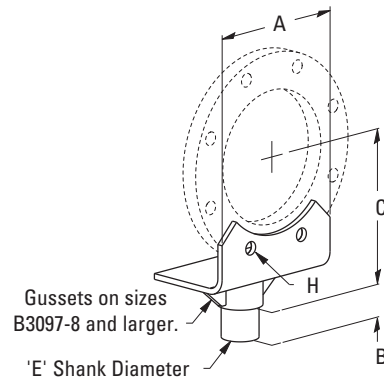
Maximum Temperature: 750°F (399°C)

Finish: Plain

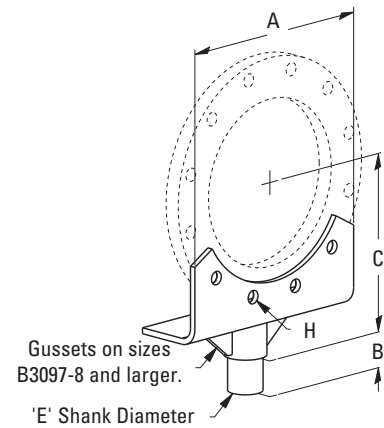
Note: Available in Electro-Galvanized, and Hot Dip Galvanized finish or Stainless Steel materials.

Order By: Part number and finish

Note: For vertical adjustment use with Figure B3089 (Pipe Adjuster - page 131) and Figure B3088T (Threaded Pipe Stand - page 128).



* Shank will fit into nominal Schedule 40 pipe size 'D' of Base Stand Figure B3088 (not included).
 Sizes 4" (100mm) thru 12" (300mm)



* Shank will fit into nominal Schedule 40 pipe size 'D' of Base Stand Figure B3088 (not included).
 Sizes 14" (350mm) thru 36" (900mm)

Part No.	Pipe Size		A		B		C		D *		E		H Dia.		Approx. Wt./100	
	in.	(mm)	in.	(mm)	in.	(mm)	in.	(mm)	in.	(mm)	in.	(mm)	in.	(mm)	Lbs.	(kg)
B3094-4	4"	(100)	6 ³ / ₈ "	(161.9)	2"	(50.8)	6 ⁷ / ₈ "	(174.5)	2 ¹ / ₂ "	(63.5)	2 ³ / ₈ "	(60.3)	3 ⁴ / ₄ "	(19.0)	707	(320.7)
B3094-5	5"	(125)	7 ¹ / ₁₆ "	(179.4)	2"	(50.8)	7 ³ / ₈ "	(187.3)	2 ¹ / ₂ "	(63.5)	2 ³ / ₈ "	(60.3)	7 ⁷ / ₈ "	(22.2)	775	(351.5)
B3094-6	6"	(150)	7 ³ / ₄ "	(196.8)	2"	(50.8)	7 ³ / ₈ "	(187.3)	2 ¹ / ₂ "	(63.5)	2 ³ / ₈ "	(60.3)	7 ⁷ / ₈ "	(22.2)	844	(382.8)
B3094-8	8"	(200)	9 ⁹ / ₁₆ "	(242.9)	2"	(50.8)	10 ¹ / ₈ "	(257.2)	2 ¹ / ₂ "	(63.5)	2 ³ / ₈ "	(60.3)	7 ⁷ / ₈ "	(22.2)	1429	(648.2)
B3094-10	10"	(250)	8"	(203.2)	2"	(50.8)	11 ³ / ₈ "	(288.8)	2 ¹ / ₂ "	(63.5)	2 ³ / ₈ "	(60.3)	1"	(25.4)	1250	(567.0)
B3094-12	12"	(300)	9 ¹ / ₂ "	(241.3)	3"	(76.2)	12 ⁷ / ₈ "	(327.0)	2 ¹ / ₂ "	(63.5)	2 ³ / ₈ "	(60.3)	1"	(25.4)	1446	(655.9)
B3094-14	14"	(350)	18 ³ / ₁₆ "	(462.0)	3"	(76.2)	15"	(381.0)	3"	(76.2)	2 ⁷ / ₈ "	(73.0)	1 ¹ / ₈ "	(28.6)	3149	(1429.4)
B3094-16	16"	(400)	16 ⁵ / ₈ "	(422.3)	3"	(76.2)	16 ¹ / ₄ "	(412.7)	3"	(76.2)	2 ⁷ / ₈ "	(73.0)	1 ¹ / ₈ "	(28.6)	3068	(1391.6)
B3094-18	18"	(450)	17 ¹¹ / ₁₆ "	(449.3)	4"	(101.6)	18"	(457.2)	4"	(101.6)	3 ³ / ₄ "	(95.2)	1 ¹ / ₄ "	(31.7)	3339	(1514.6)
B3094-20	20"	(500)	15 ³ / ₄ "	(400.0)	4"	(101.6)	19 ¹ / ₄ "	(488.9)	4"	(101.6)	3 ³ / ₄ "	(95.2)	1 ¹ / ₄ "	(31.7)	2994	(1358.1)
B3094-24	24"	(600)	18 ³ / ₈ "	(466.7)	4"	(101.6)	22 ¹ / ₂ "	(571.5)	4"	(101.6)	3 ³ / ₄ "	(95.2)	1 ³ / ₈ "	(34.9)	4255	(1930.0)
B3094-30	30"	(750)	16 ³ / ₈ "	(415.9)	4"	(101.6)	25 ⁷ / ₈ "	(657.2)	4"	(101.6)	3 ³ / ₄ "	(95.2)	1 ³ / ₈ "	(34.9)	5210	(2363.2)
B3094-36	36"	(900)	17 ¹ / ₂ "	(444.5)	4"	(101.6)	29 ¹ / ₂ "	(749.3)	4"	(101.6)	3 ³ / ₄ "	(95.2)	1 ⁵ / ₈ "	(41.3)	5382	(2441.3)

All dimensions in charts and on drawings are in inches. Dimensions shown in parentheses are in millimeters unless otherwise specified.

B3195 - I.P.S. Isolator B3195CT - Copper Tubing Isolator

Size Range:

B3195 - 3/8" (10mm) thru 8" (200mm) pipe

B3195CT - 3/8" (10mm) thru 4" (100mm) pipe

Material: Pre-Galvanized steel and felt

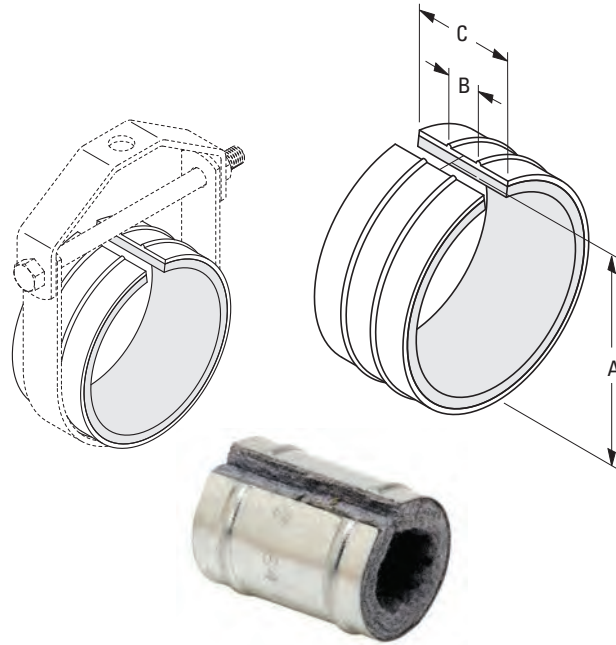
Function: A non-conductive felt lining serves to dampen sound vibration and prevent transmission of sound to the building structure.

Finish: Pre-Galvanized

Standard Steel Pipe Hangers for use with Isolators:

B3100 clevis hanger, B3690 J-hanger and B2000 Series rigid or O.D. pipe clamps

Order By: Part number and finish



Part No.	Pipe Size in. (mm)	A in. (mm)	B in. (mm)	C in. (mm)	Hanger Size in. (mm)	Strut Clamp in. (mm)	Approx. Wt./100 Lbs. (kg)
B3195-3/8	3/8" (10)	1 1/8" (28.6)	1 1/4" (31.7)	2 1/4" (57.1)	1" (25)	1" (25) Rigid	4 (1.8)
B3195-1/2	1/2" (15)	1 3/8" (34.9)	1 1/4" (31.7)	2 1/4" (57.1)	1" (25)	1" (25) Rigid	4 (1.8)
B3195-3/4	3/4" (20)	1 1/2" (38.1)	1 1/4" (31.7)	2 1/4" (57.1)	1 1/4" (32)	1 1/4" (32) O.D.	6 (2.7)
B3195-1	1" (25)	1 13/16" (46.0)	1 1/4" (31.7)	2 1/4" (57.1)	1 1/2" (40)	1 1/2" (38) O.D.	10 (4.5)
B3195-1 1/4	1 1/4" (32)	2 1/8" (54.0)	1 1/4" (31.7)	2 1/4" (57.1)	2" (50)	2" (51) O.D.	10 (4.5)
B3195-1 1/2	1 1/2" (40)	2 3/8" (60.3)	1 1/4" (31.7)	2 1/4" (57.1)	2" (50)	2" (50) Rigid	12 (5.4)
B3195-2	2" (50)	2 7/8" (73.0)	1 1/4" (31.7)	2 1/4" (57.1)	2 1/2" (65)	2 1/2" (65) Rigid	14 (6.3)
B3195-2 1/2	2 1/2" (65)	3 3/8" (85.7)	1 1/4" (31.7)	3" (76.2)	3" (80)	3" (76) O.D.	20 (9.1)
B3195-3	3" (80)	4" (101.6)	1 1/4" (31.7)	3" (76.2)	3 1/2" (90)	3 1/2" (90) Rigid	25 (11.3)
B3195-3 1/2	3 1/2" (90)	4 1/2" (114.3)	1 1/4" (31.7)	3" (76.2)	4" (100)	4" (100) Rigid	36 (16.3)
B3195-4	4" (100)	5 1/2" (139.7)	1 1/4" (31.7)	3 1/2" (88.9)	5" (125)	5" (125) Rigid	65 (29.5)
B3195-5	5" (125)	6 1/2" (165.1)	1 1/4" (31.7)	4" (101.6)	6" (150)	6" (150) Rigid	67 (30.4)
B3195-6	6" (150)	7 5/8" (193.7)	2 1/8" (54.0)	5 1/2" (139.7)	8" (200)	7 5/8" (193) O.D.	196 (88.9)
B3195-8	8" (200)	9 5/8" (244.5)	2 1/8" (54.0)	5 1/2" (139.7)	10" (250)	9 5/8" (244) O.D.	210 (95.2)

Part No.	Pipe Size in. (mm)	A in. (mm)	B in. (mm)	C in. (mm)	Hanger Size in. (mm)	Strut Clamp in. (mm)	Approx. Wt./100 Lbs. (kg)
B3195CT-3/8	3/8" (10)	1" (25.4)	1 1/4" (31.7)	2 1/4" (57.1)	3/4" (20)	1 1/8" (28) O.D.	4 (1.8)
B3195CT-1/2	1/2" (15)	1 1/8" (28.6)	1 1/4" (31.7)	2 1/4" (57.1)	3/4" (20)	1 1/8" (28) O.D.	4 (1.8)
B3195CT-3/4	3/4" (20)	1 3/8" (34.9)	1 1/4" (31.7)	2 1/4" (57.1)	1" (25)	1" (25) Rigid	4 (1.8)
B3195CT-1	1" (25)	1 5/8" (41.3)	1 1/4" (31.7)	2 1/4" (57.1)	1 1/4" (32)	1 1/2" (38) O.D.	6 (2.7)
B3195CT-1 1/4	1 1/4" (32)	1 7/8" (47.6)	1 1/4" (31.7)	2 1/4" (57.1)	1 1/2" (40)	1 3/4" (44) O.D.	10 (4.5)
B3195CT-1 1/2	1 1/2" (40)	2 1/8" (54.0)	1 1/4" (31.7)	2 1/4" (57.1)	2" (50)	2 1/8" (54) O.D.	10 (4.5)
B3195CT-2	2" (50)	2 5/8" (66.7)	1 1/4" (31.7)	2 1/4" (57.1)	2 1/2" (65)	2 5/8" (66) O.D.	12 (5.4)
B3195CT-2 1/2	2 1/2" (65)	3 1/8" (79.4)	1 1/4" (31.7)	2 1/4" (57.1)	3" (80)	3 1/8" (79) O.D.	13 (5.9)
B3195CT-3	3" (80)	3 5/8" (92.1)	1 1/4" (31.7)	2 1/4" (57.1)	3" (80)	3" (80) Rigid	15 (6.8)
B3195CT-3 1/2	3 1/2" (90)	4 1/8" (104.8)	1 1/4" (31.7)	3 1/2" (88.9)	3 1/2" (90)	3 1/2" (90) Rigid	28 (12.7)
B3195CT-4	4" (100)	5 1/8" (130.2)	1 1/4" (31.7)	3 1/2" (88.9)	5" (125)	5" (127) O.D.	44 (19.9)

All dimensions in charts and on drawings are in inches. Dimensions shown in parentheses are in millimeters unless otherwise specified.

Pipe Supports, Guides, Shields & Saddles

B3281 thru B3287 - Pipe Alignment Guide

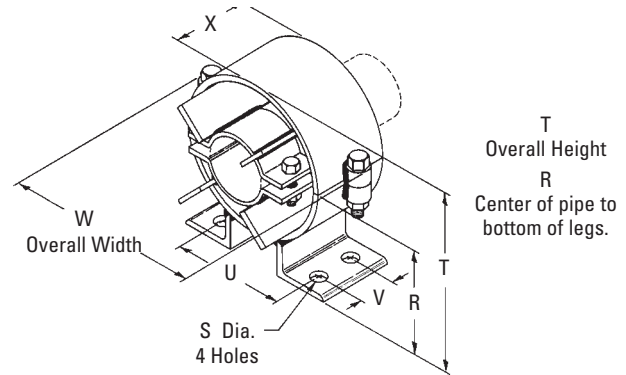
Size Range: For use with 1/2" (15mm) thru 24" (600mm) pipe

Material: Steel

Finish: Black Primer, HDG

Function: Designed for use in directing thermal expansion of insulated or non-insulated pipe in the direction permitted by expansion joints or loops. The use of two or more guides on both sides of an expansion joint or loop is recommended. Pipe lines should be supported with hangers or rollers so that when properly installed, the guides will not be supporting any pipe loads. Maximum operating temperature should not exceed 750°F (399°C).

Order By: Part number and finish. For use with copper tubing, add CT suffix to the part number.



Body Size	R in. (mm)	S in. (mm)	T in. (mm)	U in. (mm)	V in. (mm)
001	3 1/2" (88.9)	5/8" (15.9)	5 7/8" (149.2)	4 1/8" (104.8)	1 3/4" (44.4)
002	4" (101.6)	5/8" (15.9)	6 3/4" (171.4)	4 3/8" (111.1)	1 3/4" (44.4)
003	4 3/8" (111.1)	5/8" (15.9)	7 5/8" (193.7)	5 1/8" (130.2)	1 3/4" (44.4)
004	5 1/4" (133.3)	5/8" (15.9)	9 1/4" (234.9)	6 1/8" (155.6)	1 3/4" (44.4)
005	6 1/4" (158.7)	5/8" (15.9)	11 5/8" (295.3)	7" (177.8)	2 3/4" (69.8)
006	7" (177.8)	5/8" (15.9)	13 3/8" (339.7)	8 1/4" (209.5)	2 3/4" (69.8)
007	7 7/8" (200.0)	3/4" (19.0)	15 1/8" (384.2)	9 7/8" (250.8)	4" (101.6)
008	8 7/8" (225.4)	3/4" (19.0)	17" (431.8)	10 7/8" (276.2)	4" (101.6)
009	9 3/4" (247.6)	3/4" (19.0)	18 3/4" (476.2)	11 7/8" (301.6)	4" (101.6)
010	10 7/8" (276.2)	3/4" (19.0)	21" (533.4)	11 3/4" (298.4)	6" (152.4)
011	12 1/8" (308.0)	7/8" (22.2)	23 1/8" (587.4)	14 1/2" (368.3)	6" (152.4)
012	13" (330.2)	7/8" (22.2)	25" (635.0)	15 1/2" (393.7)	6" (152.4)
013	14 3/4" (374.6)	1 1/8" (28.6)	27 3/4" (704.8)	17 1/8" (435.0)	6" (152.4)
014	16 1/2" (419.1)	1 1/8" (28.6)	31 1/2" (800.1)	19 1/4" (488.9)	6" (152.4)

Body Size	W in. (mm)	X in. (mm)	Approx. Wt./100 Lbs. (kg)
001	6 1/8" (155.6)	3" (76.2)	700 (317.5)
002	7 1/8" (181.0)	3" (76.2)	800 (362.9)
003	8 1/8" (206.4)	3" (76.2)	900 (408.2)
004	10 1/8" (257.2)	3" (76.2)	1100 (498.9)
005	12 1/8" (308.0)	4" (101.6)	1700 (771.1)
006	14 1/8" (358.8)	4" (101.6)	2000 (907.2)
007	16 1/8" (409.6)	6" (152.4)	4000 (1814.4)
008	18 1/8" (460.4)	6" (152.4)	4800 (2177.3)
009	20 1/8" (511.2)	6" (152.4)	5400 (2449.4)
010	22 1/8" (562.0)	8" (203.2)	6100 (2766.9)
011	24 1/8" (612.8)	8" (203.2)	8900 (4037.0)
012	26 1/8" (663.6)	8" (203.2)	10200 (4626.7)
013	28 1/8" (714.4)	8" (203.2)	11000 (4989.6)
014	32 1/8" (816.0)	8" (203.2)	15000 (6804.0)



Note: CT sizes have lead shims between the steel clamp and the copper tubing.

Guides with greater allowable movement available, Contact Eaton Engineering for more information.

All dimensions in charts and on drawings are in inches. Dimensions shown in parentheses are in millimeters unless otherwise specified.

Pipe Supports, Guides, Shields & Saddles

B3281 thru B3287 - Pipe Alignment Guide cont.

Pipe Size	Insulation Thickness											
	1" (25.4mm)			1 1/2" (38.1mm)			2" (50.8mm)			2 1/2" (63.5mm)		
	Part No.	BS*	SAM**	Part No.	BS*	SAM**	Part No.	BS*	SAM**	Part No.	BS*	SAM**
1/2" (15)	B3281-1/2	001	4" (101.6)	B3281-1/2	001	4" (101.6)	B3283-1/2	002	4" (101.6)	B3284-1/2	003	4" (101.6)
3/4" (20)	B3281-3/4	001	4" (101.6)	B3282-3/4	002	4" (101.6)	B3283-3/4	003	4" (101.6)	B3284-3/4	004	4" (101.6)
1" (25)	B3281-1	001	4" (101.6)	B3282-1	002	4" (101.6)	B3283-1	003	4" (101.6)	B3284-1	004	4" (101.6)
1 1/4" (32)	B3281-1 1/4	001	4" (101.6)	B3282-1 1/4	002	4" (101.6)	B3283-1 1/4	003	4" (101.6)	B3284-1 1/4	004	4" (101.6)
1 1/2" (40)	B3281-1 1/2	002	4" (101.6)	B3281-1 1/2	002	4" (101.6)	B3283-1 1/2	003	4" (101.6)	B3284-1 1/2	004	4" (101.6)
2" (50)	B3281-2	002	4" (101.6)	B3282-2	003	4" (101.6)	B3283-2	004	4" (101.6)	B3283-2	004	4" (101.6)
2 1/2" (65)	B3281-2 1/2	003	4" (101.6)	B3281-2 1/2	003	4" (101.6)	B3283-2 1/2	004	4" (101.6)	B3283-2 1/2	004	4" (101.6)
3" (80)	B3281-3	003	4" (101.6)	B3282-3	004	4" (101.6)	B3283-3	004	4" (101.6)	B3284-3	005	4" (101.6)
4" (100)	B3281-4	004	4" (101.6)	B3281-4	004	4" (101.6)	B3283-4	005	4" (101.6)	B3284-4	005	4" (101.6)
5" (125)	B3281-5	005	4" (101.6)	B3281-5	005	4" (101.6)	B3281-5	005	4" (101.6)	B3284-5	006	4" (101.6)
6" (150)	B3281-6	005	4" (101.6)	B3281-6	005	4" (101.6)	B3283-6	006	4" (101.6)	B3283-6	006	4" (101.6)
8" (200)	B3281-8	006	4" (101.6)	B3281-8	006	4" (101.6)	B3283-8	007	6" (152.4)	B3284-8	008	6" (152.4)
10" (250)	B3281-10	008	6" (152.4)	B3281-10	008	6" (152.4)	B3281-10	008	6" (152.4)	B3284-10	009	6" (152.4)
12" (300)	B3281-12	009	6" (152.4)	B3281-12	009	6" (152.4)	B3281-12	009	6" (152.4)	B3284-12	010	6" (152.4)
14" (350)	B3281-14	010	6" (152.4)	B3281-14	010	6" (152.4)	B3281-14	010	6" (152.4)	B3281-14	010	6" (152.4)
16" (400)	B3281-16	011	8" (203.2)	B3281-16	011	8" (203.2)	B3281-16	011	8" (203.2)	B3281-16	011	8" (203.2)
18" (450)	B3281-18	012	8" (203.2)	B3281-18	012	8" (203.2)	B3281-18	012	8" (203.2)	B3281-18	012	8" (203.2)
20" (500)	B3281-20	013	8" (203.2)	B3281-20	013	8" (203.2)	B3281-20	013	8" (203.2)	B3281-20	013	8" (203.2)
24" (600)	B3281-24	014	8" (203.2)	B3281-24	014	8" (203.2)	B3281-24	014	8" (203.2)	B3281-24	014	8" (203.2)

Supports, Guides, Shields & Saddles

Nominal Pipe Size	Insulation Thickness								
	3" (76.2)			3 1/2" (88.9)			4" (101.6)		
	Part No.	BS*	SAM**	Part No.	BS*	SAM**	Part No.	BS*	SAM**
1/2" (15)	B3285-1/2	004	4" (101.6)	B3285-1/2	004	4" (101.6)	B3287-1/2	005	4" (101.6)
3/4" (20)	B3284-3/4	004	4" (101.6)	B3286-3/4	005	4" (101.6)	B3286-3/4	005	4" (101.6)
1" (25)	B3284-1	004	4" (101.6)	B3286-1	005	4" (101.6)	B3286-1	005	4" (101.6)
1 1/4" (32)	B3284-1 1/4	004	4" (101.6)	B3286-1 1/4	005	4" (101.6)	B3286-1 1/4	005	4" (101.6)
1 1/2" (40)	B3284-1 1/2	004	4" (101.6)	B3286-1 1/2	005	4" (101.6)	B3286-1 1/2	005	4" (101.6)
2" (50)	B3285-2	005	4" (101.6)	B3285-2	005	4" (101.6)	B3287-2	006	4" (101.6)
2 1/2" (65)	B3285-2 1/2	005	4" (101.6)	B3285-2 1/2	005	4" (101.6)	B3287-2 1/2	006	4" (101.6)
3" (80)	B3284-3	005	4" (101.6)	B3286-3	006	4" (101.6)	B3286-3	006	4" (101.6)
4" (100)	B3285-4	006	4" (101.6)	B3286-4	006	4" (101.6)	B3287-4	007	6" (152.4)
5" (125)	B3284-5	006	4" (101.6)	B3286-5	007	6" (152.4)	B3287-5	008	6" (152.4)
6" (150)	B3285-6	007	6" (152.4)	B3286-6	008	6" (152.4)	B3286-6	008	6" (152.4)
8" (200)	B3284-8	008	6" (152.4)	B3286-8	009	6" (152.4)	B3286-8	009	6" (152.4)
10" (250)	B3284-10	009	6" (152.4)	B3286-10	010	6" (152.4)	B3286-10	010	6" (152.4)
12" (300)	B3284-12	010	6" (152.4)	B3286-12	011	6" (152.4)	B3286-12	011	6" (152.4)
14" (350)	B3285-14	011	8" (203.2)	B3285-14	011	8" (203.2)	B3287-14	012	8" (203.2)
16" (400)	B3285-16	012	8" (203.2)	B3285-16	012	8" (203.2)	B3287-16	013	8" (203.2)
18" (450)	B3285-18	013	8" (203.2)	B3285-18	013	8" (203.2)	B3287-18	014	8" (203.2)
20" (500)	B3285-20	014	8" (203.2)	B3285-20	014	8" (203.2)	B3285-20	014	8" (203.2)
24" (600)	---	---	---	---	---	---	---	---	---

BS* = Body Size

SAM** = Standard Allowable Movement

Note: Use 1" (25.4mm) insulation thickness column when no insulation is present.

Installation: Attach outer housing of the first pipe guide to the structure a maximum of four pipe diameters from an expansion joint. The second pipe guide should be located a maximum of 14 pipe diameters from the first pipe guide. The spider pipe clamp should be offset at a minimum of half the distance in the opposite direction of the axial expansion. See chart for Standard Allowable Movement (SAM).

All dimensions in charts and on drawings are in inches. Dimensions shown in parentheses are in millimeters unless otherwise specified.

Pipe Supports, Guides, Shields & Saddles

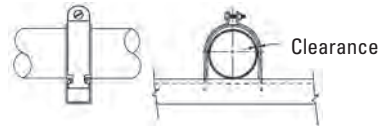
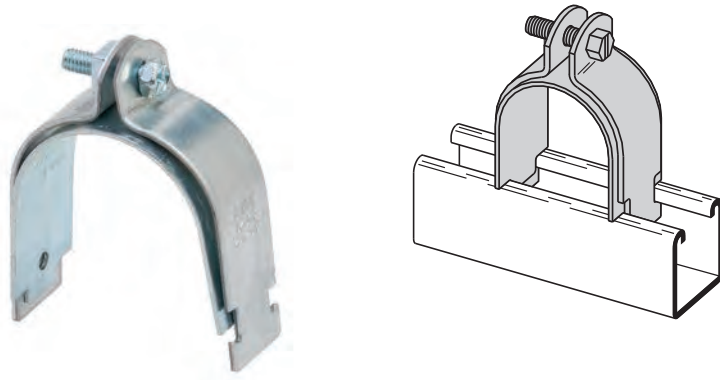
B2417 - Strut Mounted Pipe Guide

Material: Steel

Finish: Electro-Galvanized

Function: Designed as a guide to permit longitudinal movement of pipe.

Order By: Part number and finish.
(Includes guide and pipe clamp).



Part No.	Pipe Size	Min. Radial Clearance	Includes	Approx. Wt./100	
	in. (mm)	in. (mm)		Lbs.	(kg)
B2417-1/2	1/2" (15)	1/16" (1.6)	B2009	22	(10.0)
B2417-3/4	3/4" (20)	1/16" (1.6)	B2010	25	(11.3)
B2417-1	1" (25)	3/32" (2.3)	B2034	30	(13.6)
B2417-1 1/4	1 1/4" (32)	3/32" (2.3)	B2037	47	(21.8)
B2417-1 1/2	1 1/2" (40)	3/32" (2.3)	B2039	51	(23.1)
B2417-2	2" (50)	1/8" (3.2)	B2043	62	(28.1)
B2417-2 1/2	2 1/2" (65)	1/8" (3.2)	B2047	69	(31.3)
B2417-3	3" (80)	5/32" (3.9)	B2016	108	(49.0)
B2417-3 1/2	3 1/2" (90)	5/32" (3.9)	B2017	118	(53.5)
B2417-4	4" (100)	5/32" (3.9)	B2018	128	(58.0)

Note: Strut Mounted Pipe Guides are available for copper tubing: B2417CT-Size

B3147A & B3147B - Pipe Anchor

(dimensional charts on following page)

Size Range: For use with 1/2" (15mm) thru 24" (600mm) pipe

Material: Steel

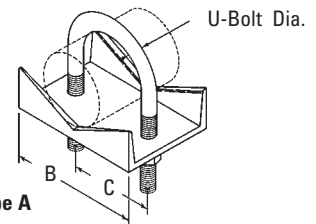
Function: Recommended for anchoring pipe to structure.

Finish: Plain

Note: 1/2" (15mm) thru 4" (100mm), use U-bolt to fasten chair to support; 5" (125mm) thru 24" (600mm) U-bolt attaches directly to support structure.

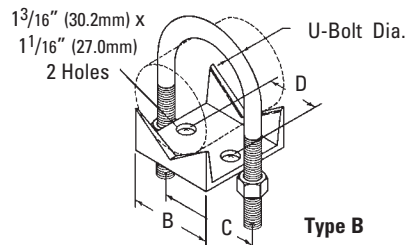
Holes are provided in chair for fastening to support if required. Available in Electro-Galvanized and Hot Dip Galvanized finish or Stainless Steel materials.

Order By: Part number and pipe size



Type A

A
Center of pipe to bottom of base plate.



Type B



All dimensions in charts and on drawings are in inches. Dimensions shown in parentheses are in millimeters unless otherwise specified.

B3147A & B3147B - Pipe Anchor cont.



Type A



Type B

Part No.	Pipe Size in. (mm)	U-Bolt Dia. in. (mm)	A		B		C		D		Approx. Wt./100	
			in.	(mm)	in.	(mm)	in.	(mm)	in.	(mm)	Lbs.	(kg)
B3147A-1/2	1/2" (15)	1/4" (6.3)	15/16"	(23.8)	23/16"	(55.5)	13/16"	(30.2)	--	(--)	80	(36.3)
B3147A-3/4	3/4" (20)	1/4" (6.3)	11/16"	(27.0)	23/8"	(60.3)	13/8"	(34.9)	--	(--)	88	(39.9)
B3147A-1	1" (25)	1/4" (6.3)	13/16"	(30.2)	25/8"	(66.7)	15/8"	(41.3)	--	(--)	96	(43.5)
B3147A-11/4	1 1/4" (32)	3/8" (9.4)	13/8"	(34.9)	27/8"	(73.0)	21/16"	(52.4)	--	(--)	107	(48.5)
B3147A-11/2	1 1/2" (40)	3/8" (9.4)	19/16"	(39.7)	3 1/4"	(82.5)	23/8"	(60.3)	--	(--)	118	(53.5)
B3147A-2	2" (50)	3/8" (9.4)	13/4"	(44.4)	35/8"	(92.1)	23/4"	(69.8)	--	(--)	132	(59.9)
B3147A-21/2	2 1/2" (65)	1/2" (12.7)	2"	(50.8)	4 15/16"	(125.4)	37/16"	(87.3)	--	(--)	175	(79.4)
B3147A-3	3" (80)	1/2" (12.7)	23/8"	(60.3)	59/16"	(141.3)	4 1/16"	(103.2)	--	(--)	215	(97.5)
B3147A-31/2	3 1/2" (90)	1/2" (12.7)	23/8"	(60.3)	6 1/16"	(154.0)	49/16"	(115.9)	--	(--)	240	(108.8)
B3147A-4	4" (100)	1/2" (12.7)	27/8"	(73.0)	69/16"	(166.7)	5 1/16"	(128.6)	--	(--)	265	(120.2)
B3147B-5	5" (125)	1/2" (12.7)	37/16"	(87.3)	4"	(101.6)	65/32"	(156.3)	2 1/4"	(57.1)	290	(131.5)
B3147B-6	6" (150)	5/8" (15.9)	4"	(101.6)	5"	(127.0)	73/8"	(187.3)	3"	(76.2)	315	(142.9)
B3147B-8	8" (200)	5/8" (15.9)	5 1/4"	(133.3)	7"	(177.9)	93/8"	(138.0)	5 1/2"	(139.7)	885	(401.4)
B3147B-10	10" (250)	3/4" (19.0)	67/16"	(164.1)	8"	(203.2)	115/8"	(295.2)	5 1/2"	(139.7)	1050	(476.3)
B3147B-12	12" (300)	7/8" (22.2)	7 1/2"	(190.5)	9"	(228.6)	133/4"	(349.2)	6"	(152.4)	1210	(548.8)
B3147B-14	14" (350)	7/8" (22.2)	83/16"	(208.0)	10"	(254.0)	15"	(381.0)	7"	(177.9)	1480	(671.3)
B3147B-16	16" (400)	7/8" (22.2)	9 1/4"	(234.9)	10"	(254.0)	17"	(431.8)	7"	(177.9)	1735	(787.0)
B3147B-18	18" (450)	1" (25.4)	103/8"	(263.5)	11"	(279.4)	19 1/8"	(485.8)	7"	(177.9)	2011	(912.2)
B3147B-20	20" (500)	1" (25.4)	113/8"	(288.9)	12"	(304.8)	21 1/8"	(536.6)	7"	(177.9)	2332	(1057.8)
B3147B-24	24" (600)	1" (25.4)	135/8"	(346.1)	12"	(304.8)	25 1/8"	(638.2)	8"	(203.2)	2550	(1156.7)

Type A

Type B

All dimensions in charts and on drawings are in inches. Dimensions shown in parentheses are in millimeters unless otherwise specified.

Pipe Supports, Guides, Shields & Saddles

B3256 Hold-Down Anchor Clamp

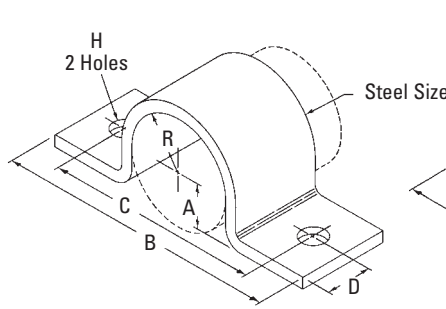
Size Range: 2" (50mm) thru 30" (750mm) pipe

Material: Steel

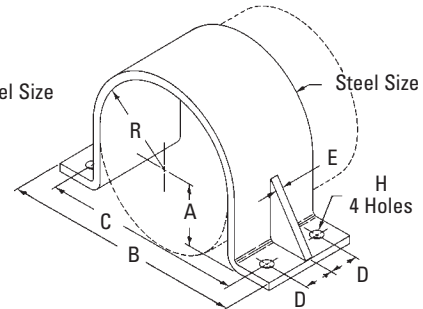
Function: Designed to prevent longitudinal or lateral movement of pipe where pipe is anchored to concrete piers or other supporting structures.

Finish: Plain or Electro-Galvanized

Order By: Part number and finish.



B3256-2 thru B3256-8



B3256-10 thru B3256-30

Part No.	Pipe Size		A		B		C		D		E	
	in.	(mm)	in.	(mm)	in.	(mm)	in.	(mm)	in.	(mm)	in.	(mm)
B3256-2	2"	(50)	1 ⁵ / ₁₆ "	(23.8)	8 ¹ / ₈ "	(206.4)	5 ⁷ / ₈ "	(149.2)	1 ¹ / ₂ "	(38.1)	-	-
B3256-2 ¹ / ₂	2 ¹ / ₂ "	(65)	1 ³ / ₁₆ "	(30.2)	8 ⁵ / ₈ "	(219.1)	6 ³ / ₈ "	(161.9)	1 ¹ / ₂ "	(38.1)	-	-
B3256-3	3"	(50)	1 ¹ / ₂ "	(38.1)	9 ¹ / ₄ "	(234.9)	7"	(177.8)	1 ¹ / ₂ "	(38.1)	-	-
B3256-3 ¹ / ₂	3 ¹ / ₂ "	(80)	1 ³ / ₄ "	(44.4)	9 ³ / ₄ "	(247.6)	7 ¹ / ₂ "	(190.5)	1 ¹ / ₂ "	(38.1)	-	-
B3256-4	4"	(90)	2"	(50.8)	10 ¹ / ₄ "	(260.3)	8"	(203.2)	1 ¹ / ₂ "	(38.1)	-	-
B3256-5	5"	(100)	2 ⁹ / ₁₆ "	(65.1)	11 ⁵ / ₁₆ "	(287.3)	9 ¹ / ₁₆ "	(230.2)	1 ¹ / ₂ "	(38.1)	-	-
B3256-6	6"	(150)	3 ¹ / ₁₆ "	(77.8)	13 ⁹ / ₁₆ "	(346.1)	10 ⁵ / ₈ "	(269.9)	3"	(76.2)	-	-
B3256-8	8"	(200)	4 ¹ / ₁₆ "	(103.2)	15 ³ / ₄ "	(396.9)	12 ⁵ / ₈ "	(320.7)	3"	(76.2)	-	-
B3256-10	10"	(250)	5 ¹ / ₈ "	(130.2)	18 ³ / ₄ "	(476.2)	15 ¹ / ₄ "	(387.3)	2 ¹ / ₂ "	(63.5)	1 ¹ / ₂ "	(12.7)
B3256-12	12"	(300)	6 ¹ / ₈ "	(155.6)	20 ³ / ₄ "	(527.0)	17 ¹ / ₄ "	(438.1)	2 ¹ / ₂ "	(63.5)	1 ¹ / ₂ "	(12.7)
B3256-14	14"	(350)	6 ³ / ₄ "	(171.4)	22"	(558.8)	18 ¹ / ₂ "	(469.9)	3"	(76.2)	1 ¹ / ₂ "	(12.7)
B3256-16	16"	(400)	7 ³ / ₄ "	(196.8)	24"	(609.6)	20 ¹ / ₂ "	(520.7)	3"	(76.2)	1 ¹ / ₂ "	(12.7)
B3256-18	18"	(450)	8 ³ / ₄ "	(222.2)	26"	(660.4)	22 ¹ / ₂ "	(571.2)	3 ¹ / ₂ "	(88.9)	1 ¹ / ₂ "	(12.7)
B3256-20	20"	(500)	9 ³ / ₄ "	(247.6)	28"	(711.2)	24 ¹ / ₂ "	(622.3)	3 ¹ / ₂ "	(88.9)	1 ¹ / ₂ "	(12.7)
B3256-24	24"	(600)	11 ³ / ₄ "	(298.4)	32"	(812.8)	28 ¹ / ₂ "	(723.9)	3 ¹ / ₂ "	(88.9)	1 ¹ / ₂ "	(12.7)
B3256-30	30"	(750)	14 ³ / ₄ "	(374.6)	38"	(965.2)	34 ¹ / ₂ "	(876.3)	3 ¹ / ₂ "	(88.9)	1 ¹ / ₂ "	(12.7)

Part No.	H		R		Steel Size		Approx. Wt./100	
	in.	(mm)	in.	(mm)	in.	(mm)	Lbs.	(kg)
B3256-2	7/8"	(22.2)	1 ³ / ₁₆ "	(30.2)	3/8" x 3"	(9.5 x 76.2)	342	(155.1)
B3256-2 ¹ / ₂	7/8"	(22.2)	1 ⁷ / ₁₆ "	(36.5)	3/8" x 3"	(9.5 x 76.2)	386	(175.1)
B3256-3	7/8"	(22.2)	1 ³ / ₄ "	(44.4)	3/8" x 3"	(9.5 x 76.2)	434	(196.8)
B3256-3 ¹ / ₂	7/8"	(22.2)	2"	(50.8)	3/8" x 3"	(9.5 x 76.2)	478	(216.8)
B3256-4	7/8"	(22.2)	2 ¹ / ₄ "	(57.1)	3/8" x 3"	(9.5 x 76.2)	518	(234.9)
B3256-5	7/8"	(22.2)	2 ¹³ / ₁₆ "	(71.4)	3/8" x 3"	(9.5 x 76.2)	610	(276.7)
B3256-6	1"	(25.4)	3 ⁵ / ₁₆ "	(84.1)	1/2" x 6"	(12.7 x 152.4)	1961	(889.5)
B3256-8	1"	(25.4)	4 ⁵ / ₁₆ "	(109.5)	1/2" x 6"	(12.7 x 152.4)	2397	(1087.3)
B3256-10	1 ¹ / ₈ "	(28.6)	5 ³ / ₈ "	(136.5)	1/2" x 8"	(12.7 x 203.2)	4155	(1884.7)
B3256-12	1 ¹ / ₈ "	(28.6)	6 ³ / ₈ "	(161.9)	1/2" x 8"	(12.7 x 203.2)	4789	(2172.3)
B3256-14	1 ¹ / ₈ "	(28.6)	7"	(177.8)	1/2" x 10"	(12.7 x 254.0)	6421	(2912.5)
B3256-16	1 ¹ / ₈ "	(28.6)	8"	(203.2)	1/2" x 10"	(12.7 x 254.0)	7210	(3270.4)
B3256-18	1 ¹ / ₈ "	(28.6)	9"	(228.6)	1/2" x 12"	(12.7 x 304.8)	9509	(4313.3)
B3256-20	1 ¹ / ₈ "	(28.6)	10"	(254.0)	1/2" x 12"	(12.7 x 304.8)	10434	(4732.8)
B3256-24	1 ¹ / ₈ "	(28.6)	12"	(304.8)	1/2" x 12"	(12.7 x 304.8)	12295	(5577.0)
B3256-30	1 ¹ / ₈ "	(28.6)	15"	(381.0)	1/2" x 12"	(12.7 x 304.8)	15082	(6841.2)



All dimensions in charts and on drawings are in inches. Dimensions shown in parentheses are in millimeters unless otherwise specified.

Pipe Supports, Guides, Shields & Saddles

B3257 - Base Plate

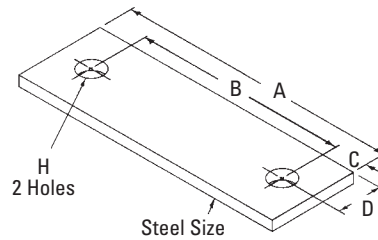
Size Range: 2" (50mm) thru 30" (750mm) pipe

Material: Steel

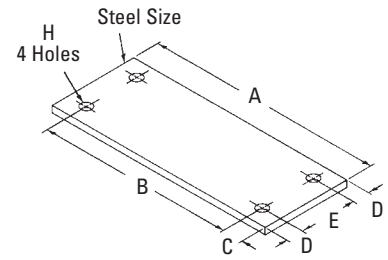
Function: Designed as a base plate for B3256 pipe anchor.

Finish: Plain or Electro-Galvanized

Order By: Part number and finish.



B3257-2 thru B3257-8



B3257-10 thru B3257-30

Supports, Guides, Shields & Saddles

Part No.	Pipe Size in. (mm)	A in. (mm)	B in. (mm)	C in. (mm)	D in. (mm)
B3257-2	2" (50)	8 ¹ / ₈ " (206.4)	5 ⁷ / ₈ " (149.2)	1 ¹ / ₈ " (28.6)	1 ¹ / ₂ " (38.1)
B3257-2 ¹ / ₂	2 ¹ / ₂ " (65)	8 ⁵ / ₈ " (219.1)	6 ³ / ₈ " (161.9)	1 ¹ / ₈ " (28.6)	1 ¹ / ₂ " (38.1)
B3257-3	3" (80)	9 ¹ / ₄ " (234.9)	7" (177.8)	1 ¹ / ₈ " (28.6)	1 ¹ / ₂ " (38.1)
B3257-3 ¹ / ₂	3 ¹ / ₂ " (90)	9 ³ / ₄ " (247.6)	7 ¹ / ₂ " (190.5)	1 ¹ / ₈ " (28.6)	1 ¹ / ₂ " (38.1)
B3257-4	4" (100)	10 ¹ / ₄ " (260.3)	8" (203.2)	1 ¹ / ₈ " (28.6)	1 ¹ / ₂ " (38.1)
B3257-5	5" (125)	11 ⁵ / ₁₆ " (287.3)	9 ¹ / ₁₆ " (230.2)	1 ¹ / ₈ " (28.6)	1 ¹ / ₂ " (38.1)
B3257-6	6" (150)	13 ⁵ / ₈ " (346.1)	10 ⁵ / ₈ " (269.9)	1 ¹ / ₂ " (38.1)	3" (76.2)
B3257-8	8" (200)	15 ⁵ / ₈ " (396.9)	12 ⁵ / ₈ " (320.7)	1 ¹ / ₂ " (38.1)	3" (76.2)
B3257-10	10" (250)	18 ³ / ₄ " (476.2)	15 ¹ / ₄ " (387.3)	1 ³ / ₄ " (44.4)	1 ¹ / ₂ " (38.1)
B3257-12	12" (300)	20 ³ / ₄ " (527.0)	17 ¹ / ₄ " (438.1)	1 ³ / ₄ " (44.4)	1 ¹ / ₂ " (38.1)
B3257-14	14" (350)	22" (558.8)	18 ¹ / ₂ " (469.9)	1 ³ / ₄ " (44.4)	2" (50.8)
B3257-16	16" (400)	24" (609.6)	20 ¹ / ₂ " (520.7)	1 ³ / ₄ " (44.4)	2" (50.8)
B3257-18	18" (450)	26" (660.4)	22 ¹ / ₂ " (571.5)	1 ³ / ₄ " (44.4)	2 ¹ / ₂ " (63.5)
B3257-20	20" (500)	28" (711.2)	24 ¹ / ₂ " (622.3)	1 ³ / ₄ " (44.4)	2 ¹ / ₂ " (63.5)
B3257-24	24" (600)	32" (812.8)	28 ¹ / ₂ " (723.9)	1 ³ / ₄ " (44.4)	2 ¹ / ₂ " (63.5)
B3257-30	30" (750)	38" (965.2)	34 ¹ / ₂ " (876.3)	1 ³ / ₄ " (44.4)	2 ¹ / ₂ " (63.5)

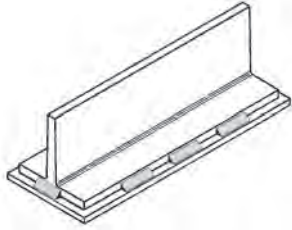


Part No.	E in. (mm)	H in. (mm)	Steel Size in. (mm)	Approx. Wt./100 Lbs. (kg)
B3257-2	- -	7 ⁷ / ₈ " (22.2)	3 ⁷ / ₈ " x 3" (9.5 x 76.2)	246 (111.6)
B3257-2 ¹ / ₂	- -	7 ⁷ / ₈ " (22.2)	3 ⁷ / ₈ " x 3" (9.5 x 76.2)	262 (118.8)
B3257-3	- -	7 ⁷ / ₈ " (22.2)	3 ⁷ / ₈ " x 3" (9.5 x 76.2)	282 (127.9)
B3257-3 ¹ / ₂	- -	7 ⁷ / ₈ " (22.2)	3 ⁷ / ₈ " x 3" (9.5 x 76.2)	298 (135.2)
B3257-4	- -	7 ⁷ / ₈ " (22.2)	3 ⁷ / ₈ " x 3" (9.5 x 76.2)	314 (142.4)
B3257-5	- -	7 ⁷ / ₈ " (22.2)	3 ⁷ / ₈ " x 3" (9.5 x 76.2)	348 (157.8)
B3257-6	- -	1" (25.4)	1 ¹ / ₂ " x 6" (12.7 x 152.4)	1137 (515.7)
B3257-8	- -	1" (25.4)	1 ¹ / ₂ " x 6" (12.7 x 152.4)	1307 (592.8)
B3257-10	5" (127.0)	1 ¹ / ₈ " (28.6)	1 ¹ / ₂ " x 8" (12.7 x 203.2)	2071 (939.4)
B3257-12	5" (127.0)	1 ¹ / ₈ " (28.6)	1 ¹ / ₂ " x 8" (12.7 x 203.2)	2298 (1042.4)
B3257-14	6" (152.4)	1 ¹ / ₈ " (28.6)	1 ¹ / ₂ " x 8" (12.7 x 254.0)	3064 (1389.8)
B3257-16	6" (152.4)	1 ¹ / ₈ " (28.6)	1 ¹ / ₂ " x 8" (12.7 x 254.0)	3347 (1518.2)
B3257-18	7" (177.8)	1 ¹ / ₈ " (28.6)	1 ¹ / ₂ " x 12" (12.7 x 304.8)	4368 (1981.3)
B3257-20	7" (177.8)	1 ¹ / ₈ " (28.6)	1 ¹ / ₂ " x 12" (12.7 x 304.8)	4709 (2136.0)
B3257-24	7" (177.8)	1 ¹ / ₈ " (28.6)	1 ¹ / ₂ " x 12" (12.7 x 304.8)	5389 (2444.4)
B3257-30	7" (177.8)	1 ¹ / ₈ " (28.6)	1 ¹ / ₂ " x 12" (12.7 x 304.8)	6410 (2907.6)

All dimensions in charts and on drawings are in inches. Dimensions shown in parentheses are in millimeters unless otherwise specified.

Pipe Supports, Guides, Shields & Saddles

B3891 - B3897 Pipe Slide Assembly Series



Material: Tee - Steel;
Facing Plate - Stainless Steel Type 304;
Base - Steel with $\frac{3}{32}$ " (2.4mm) thick Teflon^{®†} slide pads.

Finish: Black paint.

Service: Designed to support pipe where horizontal movement from expansion and contraction is present. Fits up to 3" (76.2mm) insulation thickness.

Approvals: Conforms to Federal Specification WW-H-171E & A-A-1192A and Manufacturers Standardization Society ANSI/MSS SP-69 & SP-58, Type 35.

Operating Temperature Rating:
400°F (204°C) maximum

Loading: Capable of supporting constant loads up to 2000 Psi at 70°F (21°C).

† Mark shown in this document is the property of its respective owner.

Supports, Guides, Shields & Saddles

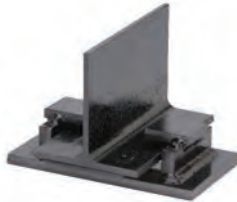
B3891 - 10 - CL		
Base Style	Travel	Options
1	04" (101) (except B3897)	Standard Slide = Blank
2	10" (254) (except B3897)	W/ End Plates = EP - Pipe Size
3	2 1/2" (63) (B3897 only)	W/ B3140 Clamps = CL - Pipe Size
4		
5		
6		
7		



B3891



B3892



B3893



B3894



B3895



B3896



B3897

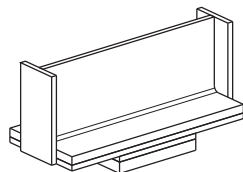
Notes:

B3891, B3892 and B3893 are designed for longitudinal movement only.

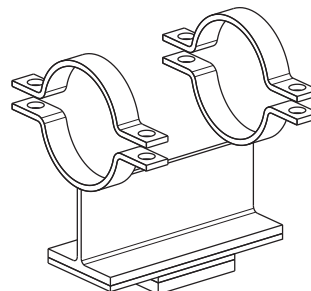
B3894, B3895 and B3896 are designed for longitudinal and limited transverse movement.

B3897 is designed for up to 5 inches (127mm) of horizontal movement in any direction, depending on the installed position.

Options:



End Plates



Pipe Clamps

All dimensions in charts and on drawings are in inches. Dimensions shown in parentheses are in millimeters unless otherwise specified.

Pipe Supports, Guides, Shields & Saddles

B3891 - B3897 - Pipe Slide Assembly Series

Pipe Size	Travel In. (mm)	Part No.	Height H		Length L		Depth B		Diameter D	
			In.	mm	In.	mm	In.	mm	In.	mm
1" to 24" (25 to 600)	2 1/2" (63.5)	B3897	5 5/16"	(134.9)	9 1/2"	(241.3)	5"	(127.0)	4"	(101.6)
	4" (127.0)	B3891	4 5/8"	(117.5)	6"	(152.4)	2"	(50.8)	N/A	(N/A)
		B3892	5 1/8"	(130.2)	6"	(152.4)	4"	(101.6)	N/A	(N/A)
		B3893	5 1/8"	(130.2)	6"	(152.4)	4"	(101.6)	N/A	(N/A)
		B3894	4 5/8"	(117.5)	6"	(152.4)	2"	(50.8)	N/A	(N/A)
		B3895	5 1/8"	(130.2)	6"	(152.4)	4"	(101.6)	N/A	(N/A)
		B3896	5 1/8"	(130.2)	6"	(152.4)	4"	(101.6)	N/A	(N/A)
	10" (254.0)	B3891	4 5/8"	(117.5)	12"	(304.8)	2"	(50.8)	N/A	(N/A)
		B3892	5 1/8"	(130.2)	12"	(304.8)	4"	(101.6)	N/A	(N/A)
		B3893	5 1/8"	(130.2)	12"	(304.8)	4"	(101.6)	N/A	(N/A)
		B3894	4 5/8"	(117.5)	12"	(304.8)	2"	(50.8)	N/A	(N/A)
		B3895	5 1/8"	(130.2)	12"	(304.8)	4"	(101.6)	N/A	(N/A)
		B3896	5 1/8"	(130.2)	12"	(304.8)	4"	(101.6)	N/A	(N/A)

Pipe Size	Travel In. mm	Part No.	Width P		Width W		Max Recommended Load	
			In.	mm	In.	mm	Lbs.	kN
1" to 24" (25 to 600)	2 1/2" (63.5)	B3897	N/A	N/A	9 1/2"	(241.3)	16000	(71.2)
	4" (127.0)	B3891	4"	(101.6)	N/A	N/A	12000	(53.4)
		B3892	4"	(101.6)	7"	(177.8)	12000	(53.4)
		B3893	4"	(101.6)	7"	(177.8)	12000	(53.4)
		B3894	N/A	N/A	6"	(152.4)	12000	(53.4)
		B3895	6"	(152.4)	10"	(254.0)	24000	(106.8)
		B3896	6"	(152.4)	10"	(254.0)	24000	(106.8)
	10" (254.0)	B3891	4"	(101.6)	N/A	N/A	12000	(53.4)
		B3892	4"	(101.6)	7"	(177.8)	12000	(53.4)
		B3893	4"	(101.6)	7"	(177.8)	12000	(53.4)
		B3894	N/A	N/A	6"	(152.4)	12000	(53.4)
		B3895	6"	(152.4)	10"	(254.0)	24000	(106.8)
		B3896	6"	(152.4)	10"	(254.0)	24000	(106.8)

*Based on Teflon[®] † of 500 psi.

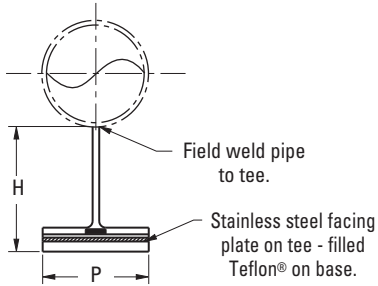
† Mark shown in this document is the property of its respective owner.

All dimensions in charts and on drawings are in inches. Dimensions shown in parentheses are in millimeters unless otherwise specified.

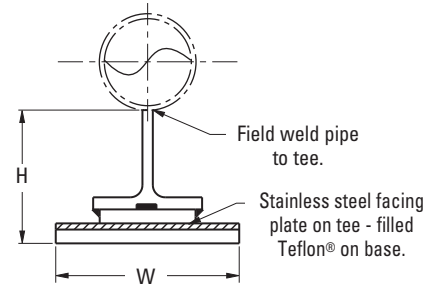
Pipe Supports, Guides, Shields & Saddles

B3891 - B3897 - Pipe Slide Assembly Series

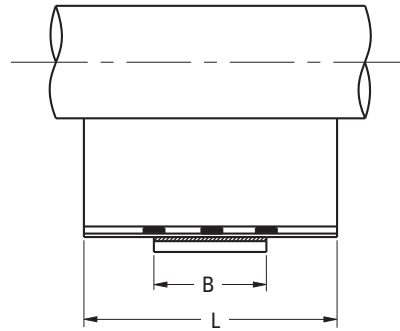
B3891 & B3894 Views



B3891 Front View

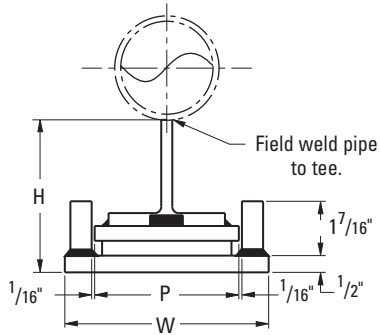


B3894 Front View

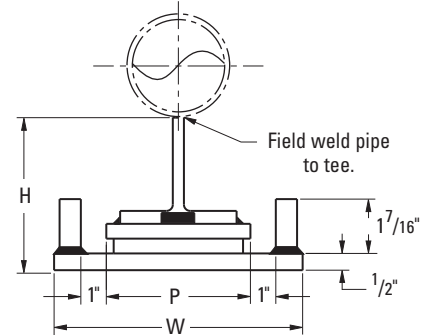


B3891 & B3894 Side View

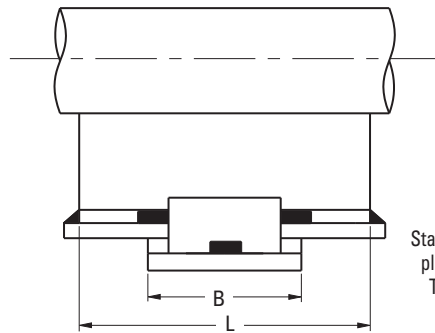
B3892 & B3895 Views



B3892 Front View



B3895 Front View



B3892 & B3895 Side View

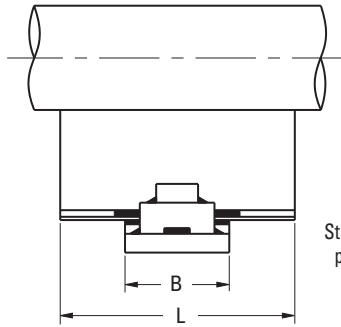
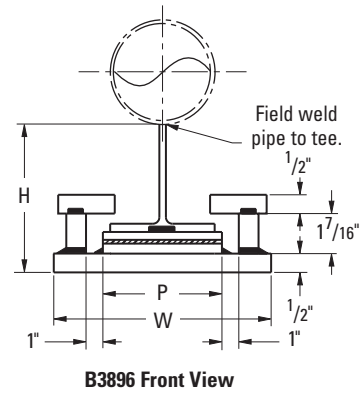
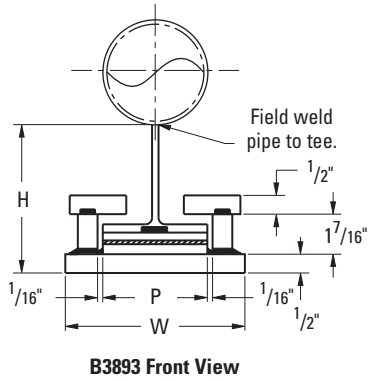
Stainless steel facing plate on tee - filled Teflon® on base.

All dimensions in charts and on drawings are in inches. Dimensions shown in parentheses are in millimeters unless otherwise specified.

Pipe Supports, Guides, Shields & Saddles

B3891 - B3897 - Pipe Slide Assembly Series

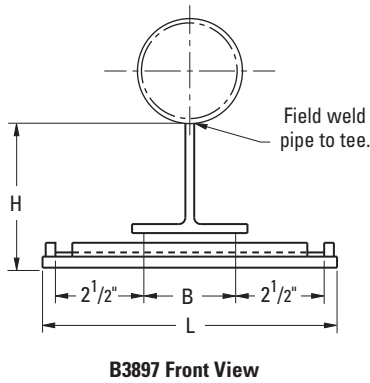
B3893 & B3896 Views



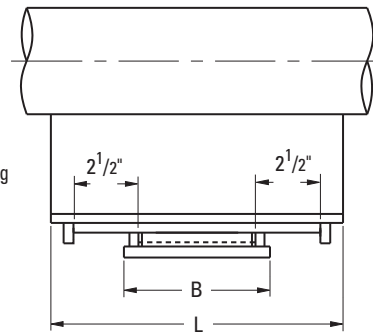
Stainless steel facing plate on tee - filled Teflon® on base.

B3893 & B3896 Side View

B3897 Views



Stainless steel facing plate on tee - filled Teflon® on disc.

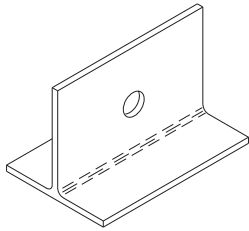


† Mark shown in this document is the property of its respective owner.

Pipe Supports, Guides, Shields & Saddles

B3991 - B3993B Pipe Slide Assembly Series

Supports, Guides,
Shields & Saddles



Material: Tee & H Slides - Steel with Heat Cured PTFE modified coating at slide plate.

Base - Steel with 3/32" (2.4mm) thick Teflon[®]† slide pads.

Finish: Black paint.

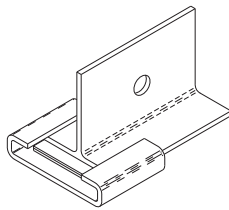
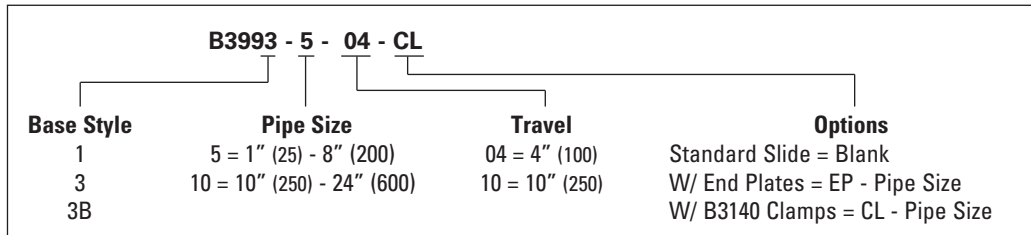
Service: Designed to support pipe where horizontal movement from expansion and contraction is present.

Approvals: Conforms to Federal Specification WW-H-171E & A-A-1192A and Manufacturers Standardization Society ANSI/MSS SP-69 & SP-58, Type 35.

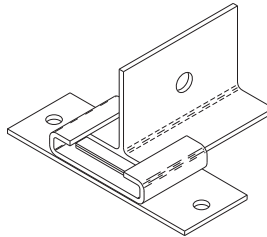
Operating Temperature Rating:
400°F (204°C) maximum at base

Loading: Capable of supporting constant loads up to 2000 Psi at 70°F (21°C)

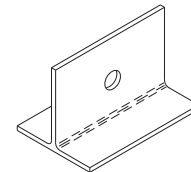
† Mark shown in this document is the property of its respective owner.



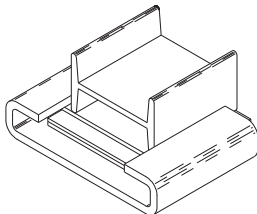
B3993-5



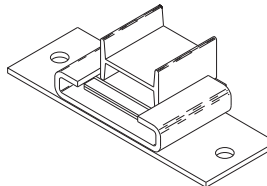
B3993B-5



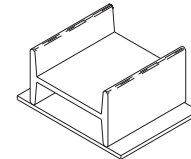
T-Slide
B3991-5



B3993-10

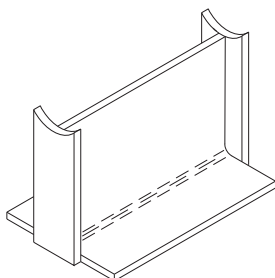


B3993B-10

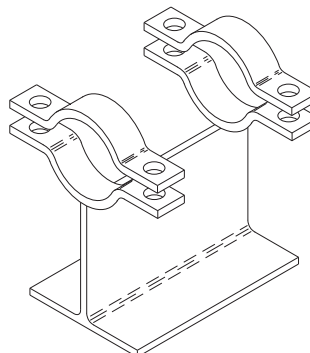


H-Slide
B3991-10

Options:



EP (standard slide with end plates)



CL (standard slide with pipe clamps)

All dimensions in charts and on drawings are in inches. Dimensions shown in parentheses are in millimeters unless otherwise specified.

Pipe Supports, Guides, Shields & Saddles

B3991 - B3993B - Pipe Slide Assembly Series

Pipe Size	Travel In. (mm)	Part No.	Height H	Length L	Depth B	Width C
			In. (mm)	In. (mm)	In. (mm)	In. (mm)
1" to 24" (25 to 600)	4" (101.6)	B3991-5	4 ⁷ / ₁₆ " (112.7)	6" (152.4)	3" (76.2)	8 ¹ / ₂ " (215.9)
		B3993-5	4 ⁷ / ₁₆ " (112.7)	6" (152.4)	3" (76.2)	N/A N/A
		B3993B-5	4 ¹¹ / ₁₆ " (119.1)	6" (152.4)	3" (76.2)	8 ¹ / ₂ " (215.9)
		B3991-10	4 ⁷ / ₈ " (123.8)	6" (152.4)	4" (101.6)	14 ¹ / ₂ "(368.3)
		B3993-10	4 ⁷ / ₈ " (123.8)	6" (152.4)	4" (101.6)	N/A N/A
		B3993B-10	5 ¹ / ₈ " (130.2)	6" (152.4)	4" (101.6)	14 ¹ / ₂ "(368.3)
	10" (254.0)	B3991-5	4 ⁷ / ₁₆ " (112.7)	12" (304.8)	3" (76.2)	8 ¹ / ₂ " (215.9)
		B3993-5	4 ⁷ / ₁₆ " (112.7)	12" (304.8)	3" (76.2)	N/A N/A
		B3993B-5	4 ¹¹ / ₁₆ " (119.1)	12" (304.8)	3" (76.2)	8 ¹ / ₂ " (215.9)
		B3991-10	4 ⁷ / ₈ " (123.8)	12" (304.8)	4" (101.6)	14 ¹ / ₂ "(368.3)
		B3993-10	4 ⁷ / ₈ " (123.8)	12" (304.8)	4" (101.6)	N/A N/A
		B3993B-10	5 ¹ / ₈ " (130.2)	12" (304.8)	4" (101.6)	14 ¹ / ₂ "(368.3)

Pipe Size	Travel In. mm	Part No.	Width P	Width W	Max Recommended Load	
			In. mm	In. mm	Lbs.	kN
1" to 24" (25 to 600)	4" (101.6)	B3991-5	6" (152.4)	N/A N/A	16000	(71.2)
		B3993-5	2" (50.8)	4 ¹ / ₂ " (114.3)	12000	(53.4)
		B3993B-5	2" (50.8)	4 ¹ / ₂ " (114.3)	12000	(53.4)
		B3991-10	12" (304.8)	N/A N/A	32000	(142.3)
		B3993-10	6" (152.4)	8 ¹¹ / ₁₆ " (220.7)	24000	(106.8)
		B3993B-10	6" (152.4)	8 ¹¹ / ₁₆ " (220.7)	24000	(106.8)
	10" (254.0)	B3991-5	6" (152.4)	N/A N/A	16000	(71.2)
		B3993-5	2" (50.8)	4 ¹ / ₂ " (114.3)	12000	(53.4)
		B3993B-5	2" (50.8)	4 ¹ / ₂ " (114.3)	12000	(53.4)
		B3991-10	12" (304.8)	N/A N/A	32000	(142.3)
		B3993-10	6" (152.4)	8 ¹¹ / ₁₆ " (220.7)	24000	(106.8)
		B3993B-10	6" (152.4)	8 ¹¹ / ₁₆ " (220.7)	24000	(106.8)

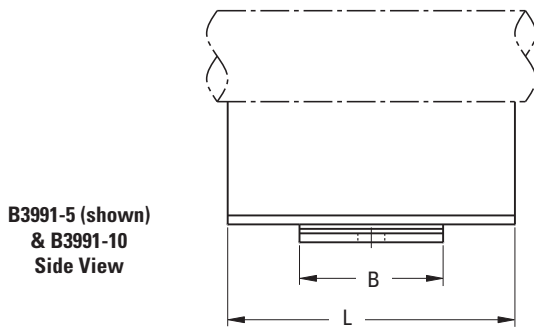
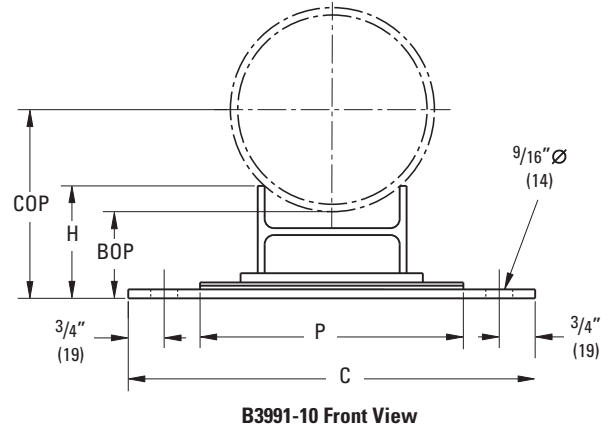
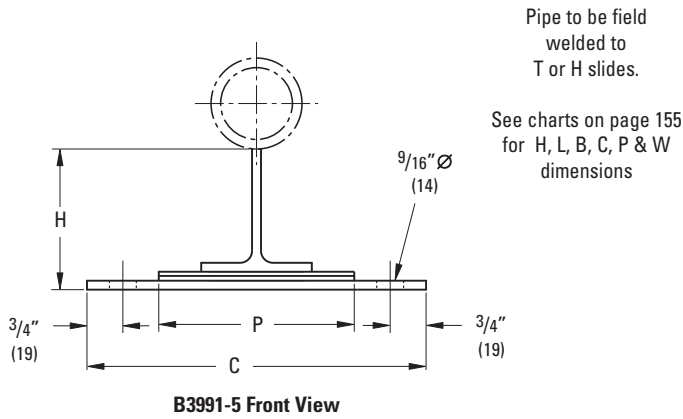
*Based on Teflon[®] † of 2000 psi.

† Mark shown in this document is the property of its respective owner.

All dimensions in charts and on drawings are in inches. Dimensions shown in parentheses are in millimeters unless otherwise specified.

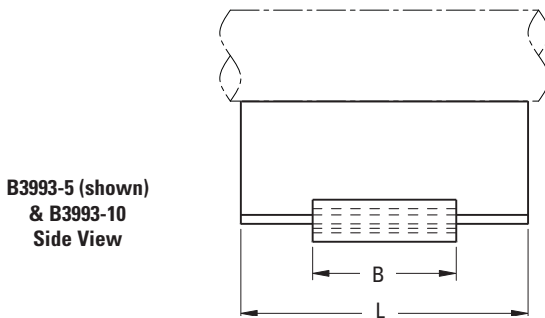
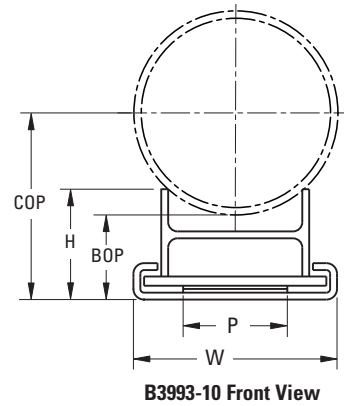
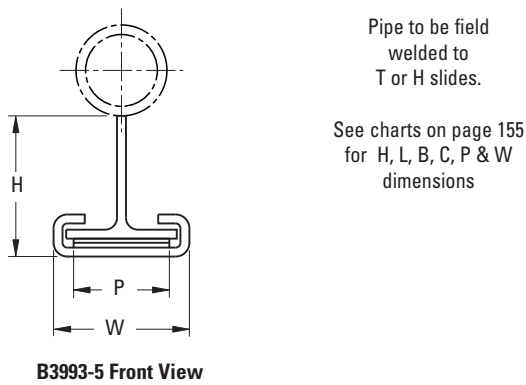
Pipe Supports, Guides, Shields & Saddles

B3991 - Pipe Slide Assembly Series dimensional drawings



Pipe Size In. (mm)	'BOP'	'COP'
	In. (mm)	In. (mm)
10" (250)	4 ¹ / ₈ " (104.8)	9 ¹ / ₂ " (241.3)
12" (300)	4 ¹ / ₄ " (107.9)	10 ⁵ / ₈ " (269.9)
14" (350)	4 ³ / ₈ " (111.1)	11 ³ / ₈ " (288.9)
16" (400)	4 ³ / ₈ " (111.1)	12 ³ / ₈ " (314.3)
18" (450)	4 ³ / ₈ " (111.1)	13 ³ / ₈ " (339.7)
20" (500)	4 ¹ / ₂ " (114.3)	14 ¹ / ₂ " (368.3)
24" (600)	4 ⁵ / ₈ " (117.5)	16 ⁵ / ₈ " (422.3)

B3993 Pipe Slide Assembly Series dimensional drawings

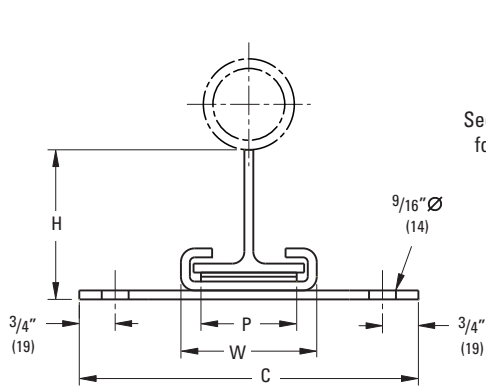


Pipe Size In. (mm)	'BOP'	'COP'
	In. (mm)	In. (mm)
10" (250)	4 ¹ / ₈ " (104.8)	9 ¹ / ₂ " (241.3)
12" (300)	4 ¹ / ₄ " (107.9)	10 ⁵ / ₈ " (269.9)
14" (350)	4 ³ / ₈ " (111.1)	11 ³ / ₈ " (288.9)
16" (400)	4 ³ / ₈ " (111.1)	12 ³ / ₈ " (314.3)
18" (450)	4 ³ / ₈ " (111.1)	13 ³ / ₈ " (339.7)
20" (500)	4 ¹ / ₂ " (114.3)	14 ¹ / ₂ " (368.3)
24" (600)	4 ⁵ / ₈ " (117.5)	16 ⁵ / ₈ " (422.3)

[†] Mark shown in this document is the property of its respective owner.

Pipe Supports, Guides, Shields & Saddles

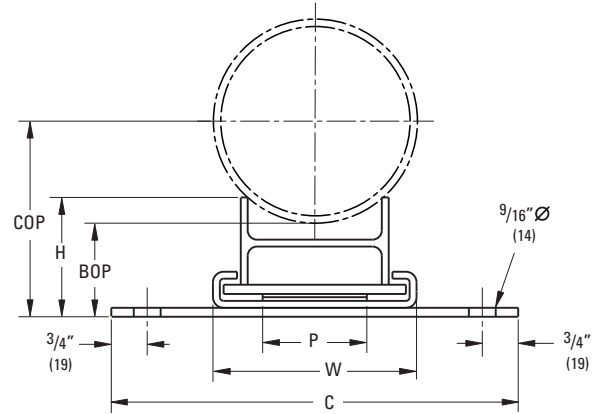
B3993B Pipe Slide Assembly Series dimensional drawings



B3993B-5 Front View

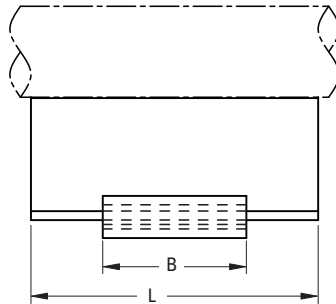
Pipe to be field welded to T or H slides.

See charts on page 155 for H, L, B, C, P & W dimensions



B3993B-10 Front View

B3993B-5 (shown) & B3993B-10 Side View



Pipe Size	'BOP'		'COP'	
	In.	(mm)	In.	(mm)
10" (250)	4 ³ / ₈ "	(111.1)	9 ³ / ₄ "	(247.6)
12" (300)	4 ¹ / ₂ "	(114.3)	10 ⁷ / ₈ "	(276.2)
14" (350)	4 ⁵ / ₈ "	(117.5)	11 ⁵ / ₈ "	(295.3)
16" (400)	4 ⁵ / ₈ "	(117.5)	12 ⁵ / ₈ "	(320.7)
18" (450)	4 ⁵ / ₈ "	(117.5)	13 ⁵ / ₈ "	(346.1)
20" (500)	4 ³ / ₄ "	(120.6)	14 ³ / ₄ "	(374.6)
24" (600)	4 ⁷ / ₈ "	(123.8)	16 ⁷ / ₈ "	(428.6)

† Mark shown in this document is the property of its respective owner.

Pipe Supports, Guides, Shields & Saddles

B3160 thru B3165 - Pipe Covering Protection Saddle

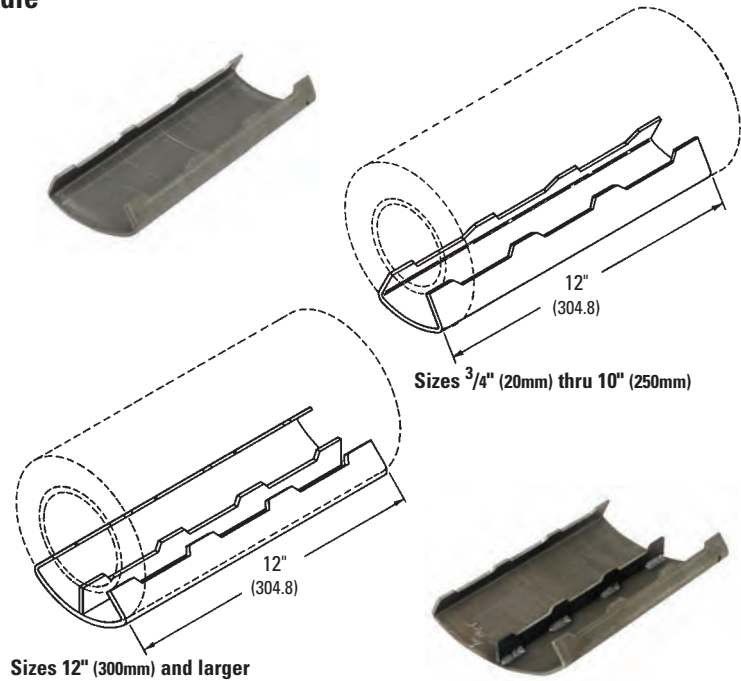
Material: Steel; Stainless Steel available

Standard Finish: Plain or Electro-Galvanized

Service: Designed to protect pipe insulation on high temperature pipe lines. Saddles are 12" (304.8mm) long. Center rib is furnished on all saddle sizes 12" (300mm) and above.

Order By: Part number and finish. Select part number by insulation thickness and add nominal pipe size (Ex: B3161-1 1/4 PLN).

Approvals: Complies with Federal Specification WW-H-171E & A-A-1192A Type 40A and Type 40B and Manufacturers Standardization Society ANSI/MSS SP-69 & SP-58 Type 39A and Type 39B.



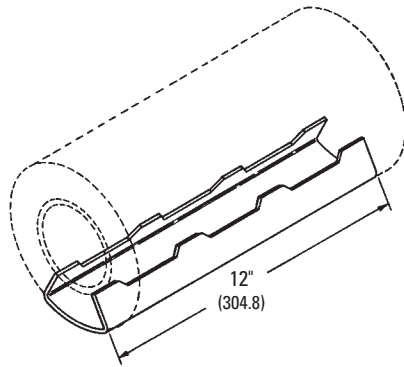
Insulation Thickness	Part Number
1" (25.4mm)	B3160
1 1/2" (38.1mm)	B3161
2" (50.8mm)	B3162
2 1/2" (63.5mm)	B3163
3" (76.2mm)	B3164
4" (101.6mm)	B3165

Part No.	Pipe Size in. (mm)	Size For Roller Part Number			Design Load Lbs. (kN)	Approx. Wt./100	
		B3114 B3120 B3122 B3122A	B3117SL B3118SL B3119SL B3124 B3126	B3110		Lbs.	(kg)
B3160-3/4	3/4" (20)	2	2-3 1/2	2 1/2	1200 (5.34)	122	(55.3)
B3161-3/4		3	2-3 1/2	3 1/2	1200 (5.34)	228	(103.4)
B3162-3/4		4	2-3 1/2	5	1200 (5.34)	297	(134.7)
B3160-1	1" (25)	2 1/2	2-3 1/2	3	1200 (5.34)	156	(70.7)
B3161-1		3	2-3 1/2	4	1200 (5.34)	228	(103.4)
B3162-1		4	2-3 1/2	5	1200 (5.34)	297	(134.7)
B3160-1 1/4	1 1/4" (32)	2 1/2	2-3 1/2	3	1200 (5.34)	156	(70.7)
B3161-1 1/4		3 1/2	2-3 1/2	5	1200 (5.34)	228	(103.4)
B3162-1 1/4		4	2-3 1/2	5	1200 (5.34)	297	(134.7)
B3163-1 1/4		5	4-6	6	1200 (5.34)	342	(155.1)
B3160-1 1/2	1 1/2" (40)	3	2-3 1/2	3 1/2	1200 (5.34)	172	(78.0)
B3161-1 1/2		3 1/2	2-3 1/2	5	1200 (5.34)	239	(108.4)
B3162-1 1/2		5	4-6	6	1800 (8.00)	311	(141.0)
B3163-1 1/2		6	4-6	8	1800 (8.00)	417	(189.1)
B3160-2	2" (50)	3 1/2	2-3 1/2	4	1200 (5.34)	172	(78.0)
B3161-2		4	2-3 1/2	5	1200 (5.34)	239	(108.4)
B3162-2		5	4-6	6	1800 (8.00)	311	(141.0)
B3163-2		6	4-6	8	1800 (8.00)	417	(189.1)
B3164-2		8	4-6	8	1800 (8.00)	441	(200.0)
B3165-2		10	8-10	10	1800 (8.00)	584	(264.9)
B3160-2 1/2	2 1/2" (65)	3 1/2	2-3 1/2	5	1200 (5.34)	210	(95.2)
B3161-2 1/2		5	4-6	6	1200 (5.34)	268	(121.5)
B3162-2 1/2		6	4-6	8	1800 (8.00)	358	(162.4)
B3163-2 1/2		8	4-6	8	1800 (8.00)	417	(189.1)
B3164-2 1/2		8	4-6	10	1800 (8.00)	459	(208.2)
B3165-2 1/2		12	8-10	12	1800 (8.00)	630	(285.8)

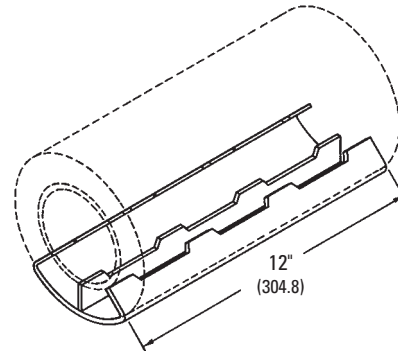
All dimensions in charts and on drawings are in inches. Dimensions shown in parentheses are in millimeters unless otherwise specified.

Pipe Supports, Guides, Shields & Saddles

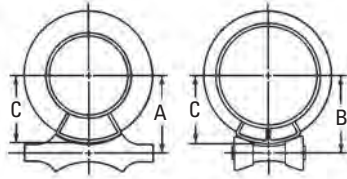
B3160 thru B3165 - Pipe Covering Protection Saddle cont.



Sizes 3/4" (20mm) thru 10" (250mm)



Sizes 12" (300mm) and larger



Insulation Thickness	Part Number
1" (25.4mm)	B3160
1 1/2" (38.1mm)	B3161
2" (50.8mm)	B3162
2 1/2" (63.5mm)	B3163
3" (76.2mm)	B3164
4" (101.6mm)	B3165

Part No.	Pipe Size In. (mm)	Centerline of Pipe to Centerline of Roll			Centerline of Pipe to Outside of Saddle C In. (mm)	Thickness of Covering (Per ASTM C 585) In. (mm)
		A B3114, B3120, B3122, B3122A In. (mm)	B B3117SL, B3118SL, B3119SL, B3124, B3126 In. (mm)	A B3110 In. (mm)		
B3160-3/4	3/4" (20)	2" (50.8)	2 1/4" (57.1)	2" (50.8)	1 9/16" (39.7)	7/8" (22.2)
B3161-3/4		2 7/16" (61.9)	2 7/8" (73.0)	2 3/8" (69.8)	2 3/16" (55.6)	1 1/2" (38.1)
B3162-3/4		3 5/16" (84.1)	3 7/16" (87.3)	3 3/8" (85.7)	2 3/4" (69.8)	1 5/16" (49.2)
B3160-1	1" (25)	2 5/16" (58.7)	2 1/2" (63.5)	2 5/16" (58.7)	1 13/16" (46.0)	1 1/16" (27.0)
B3161-1		2 7/8" (73.0)	3" (76.2)	2 7/8" (73.0)	2 5/16" (58.7)	1 9/16" (39.7)
B3162-1		3 7/16" (87.3)	3 5/8" (92.1)	3 1/2" (88.9)	2 7/8" (73.0)	2 1/8" (54.0)
B3160-1 1/4	1 1/4" (32)	2 9/16" (65.1)	2 11/16" (68.3)	2 1/2" (63.5)	2" (50.8)	1 5/16" (23.8)
B3161-1 1/4		3 1/8" (79.4)	3 1/4" (82.5)	3 1/8" (79.4)	2 9/16" (65.1)	1 7/16" (36.5)
B3162-1 1/4		3 11/16" (93.7)	3 13/16" (96.8)	3 7/16" (87.3)	3 1/16" (77.8)	2 1/8" (54.0)
B3163-1 1/4		4 1/16" (103.2)	4 1/8" (104.8)	4 1/16" (103.2)	3 7/16" (87.3)	2 7/16" (61.9)
B3160-1 1/2	1 1/2" (40)	2 11/16" (68.3)	2 7/8" (73.0)	2 7/16" (61.9)	2 1/8" (54.0)	1 1/32" (26.2)
B3161-1 1/2		3 3/16" (81.0)	3 5/16" (84.1)	3 3/16" (81.0)	2 9/16" (65.1)	1 17/32" (38.9)
B3162-1 1/2		3 9/16" (90.5)	3 13/16" (96.8)	3 13/16" (96.8)	3 1/8" (79.4)	2" (50.8)
B3163-1 1/2		4 7/16" (112.7)	4 3/8" (111.1)	4 1/2" (114.3)	3 5/8" (92.1)	2 27/32" (72.2)
B3160-2	2" (50)	2 15/16" (74.6)	3 1/8" (79.4)	2 15/16" (74.6)	2 3/8" (60.3)	1 1/16" (27.0)
B3161-2		3 7/16" (87.3)	3 5/8" (92.1)	3 1/2" (88.9)	2 7/8" (73.0)	1 19/32" (40.5)
B3162-2		4 1/8" (104.8)	4 1/8" (104.8)	4 1/16" (103.2)	3 7/16" (87.3)	2 1/8" (54.0)
B3163-2		4 11/16" (119.1)	4 11/16" (119.1)	4 3/4" (120.6)	3 15/16" (100.0)	2 5/8" (66.7)
B3164-2		5 1/4" (133.3)	5 3/16" (131.8)	5 1/4" (133.3)	4 1/2" (114.3)	3 1/8" (79.4)
B3165-2		6 3/8" (161.9)	6 1/2" (165.1)	6 3/8" (161.9)	5 1/2" (139.7)	4 3/16" (106.4)
B3160-2 1/2	2 1/2" (65)	3 1/4" (82.5)	3 3/8" (85.7)	3 1/2" (82.5)	2 5/8" (66.7)	1 1/16" (27.0)
B3161-2 1/2		3 7/8" (98.4)	3 15/16" (100.0)	3 7/8" (98.4)	3 1/4" (82.5)	1 7/8" (47.6)
B3162-2 1/2		4 9/16" (115.9)	4 9/16" (115.9)	4 5/8" (117.5)	3 7/8" (98.4)	2 5/16" (58.7)
B3163-2 1/2		5 1/8" (130.2)	5" (127.0)	5 1/8" (130.2)	4 1/4" (107.9)	2 7/8" (73.0)
B3164-2 1/2		5 7/16" (138.1)	5 5/16" (134.9)	5 1/2" (139.7)	4 9/16" (115.9)	3 1/16" (77.8)
B3165-2 1/2		6 15/16" (176.2)	7" (177.8)	6 15/16" (176.2)	5 15/16" (150.8)	4 7/16" (112.7)

All dimensions in charts and on drawings are in inches. Dimensions shown in parentheses are in millimeters unless otherwise specified.

Pipe Supports, Guides, Shields & Saddles

B3160 thru B3165 - Pipe Covering Protection Saddle cont.

 Supports, Guides,
Shields & Saddles

Insulation Thickness	Part Number
1" (25.4mm)	B3160
1 1/2" (38.1mm)	B3161
2" (50.8mm)	B3162

Insulation Thickness	Part Number
2 1/2" (63.5mm)	B3163
3" (76.2mm)	B3164
4" (101.6mm)	B3165

Part No.	Pipe Size In. (mm)	Size For Roller Part Number			Design Load Lbs. (kN)	Approx. Wt./100 Lbs. (kg)
		B3114 B3120 B3122 B3122A	B3117SL B3118SL B3119SL B3124 B3126	B3110		
B3160-3	3" (80)	4	2-3 1/2	5	1800 (8.00)	210 (95.2)
B3161-3		5	4-6	6	1800 (8.00)	268 (166.9)
B3162-3		6	4-6	8	1800 (8.00)	358 (162.4)
B3163-3		8	4-6	8	1800 (8.00)	417 (189.1)
B3164-3		8	8-10	10	1800 (8.00)	459 (208.2)
B3165-3		12	8-10	12	1800 (8.00)	600 (272.2)
B3160-3 1/2	3 1/2" (90)	5	4-6	6	1200 (5.34)	226 (102.5)
B3161-3 1/2		6	4-6	8	1800 (8.00)	289 (131.1)
B3162-3 1/2		8	4-6	8	1800 (8.00)	364 (165.1)
B3163-3 1/2		8	8-10	10	1800 (8.00)	422 (191.4)
B3164-3 1/2		10	8-10	10	1800 (8.00)	488 (221.3)
B3160-4	4" (100)	5	4-6	6	1800 (8.00)	226 (102.5)
B3161-4		6	4-6	8	1800 (8.00)	289 (131.1)
B3162-4		8	8-10	8	1800 (8.00)	364 (165.1)
B3163-4		8	8-10	10	1800 (8.00)	422 (191.4)
B3164-4		10	8-10	10	1800 (8.00)	488 (221.3)
B3165-4		10	8-10	12	1800 (8.00)	616 (279.4)
B3160-5	5" (125)	6	4-6	8	1800 (8.00)	250 (113.4)
B3161-5		8	4-6	8	1800 (8.00)	289 (131.1)
B3162-5		8	8-10	10	1800 (8.00)	364 (165.1)
B3163-5		10	8-10	10	1800 (8.00)	422 (191.4)
B3164-5		10	8-10	12	1800 (8.00)	488 (221.3)
B3165-5		12	8-10	14	1800 (8.00)	643 (291.6)
B3160-6	6" (150)	8	8-10	8	1800 (8.00)	387 (175.5)
B3161-6		8	8-10	10	1800 (8.00)	498 (225.9)
B3162-6		10	8-10	10	1800 (8.00)	594 (269.4)
B3163-6		10	8-10	12	1800 (8.00)	694 (314.8)
B3164-6		12	8-10	12	1800 (8.00)	794 (360.1)
B3165-6		14	12-14	16	1800 (8.00)	1009 (457.7)
B3160-8	8" (200)	10	8-10	12	1800 (8.00)	478 (216.8)
B3161-8		10	8-10	12	1800 (8.00)	554 (251.3)
B3162-8		10	8-10	12	1800 (8.00)	674 (305.7)
B3163-8		12	8-10	14	1800 (8.00)	782 (354.7)
B3164-8		14	12-14	16	1800 (8.00)	893 (405.0)
B3165-8		16	12-14	18	1800 (8.00)	1089 (494.0)
B3160-10	10" (250)	12	12-14	14	1800 (8.00)	546 (247.6)
B3161-10		12	12-14	14	1800 (8.00)	642 (291.2)
B3162-10		14	16-20	16	1800 (8.00)	750 (340.2)
B3163-10		14	16-20	16	1800 (8.00)	850 (385.5)
B3164-10		16	16-20	18	1800 (8.00)	957 (434.1)
B3165-10		18	16-20	20	1800 (8.00)	1137 (515.7)

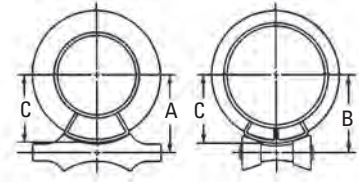
All dimensions in charts and on drawings are in inches. Dimensions shown in parentheses are in millimeters unless otherwise specified.

Pipe Supports, Guides, Shields & Saddles

B3160 thru B3165 - Pipe Covering Protection Saddle cont.

Insulation Thickness	Part Number
1" (25.4mm)	B3160
1 1/2" (38.1mm)	B3161
2" (50.8mm)	B3162

Insulation Thickness	Part Number
2 1/2" (63.5mm)	B3163
3" (76.2mm)	B3164
4" (101.6mm)	B3165



Part No.	Pipe Size In. (mm)	Centerline of Pipe to Centerline of Roll			Centerline of Pipe to Outside C In. (mm)	Thickness of Covering (Per ASTM C 585) In. (mm)
		A B3114, B3120, B3122, B3122A In. (mm)	B B3117ST, B3118SL, B3119SL, B3124, B3126 In. (mm)	A of Saddle B3110 In. (mm)		
B3160-3	3" (80)	3 3/8" (85.7)	3 1/2" (88.9)	3 5/8" (91.1)	3" (76.2)	1 1/32" (26.2)
B3161-3		4 1/4" (107.9)	4 5/16" (109.5)	4 1/4" (107.9)	3 9/16" (90.5)	1 9/16" (39.7)
B3162-3		4 15/16" (125.4)	4 15/16" (125.4)	4 15/16" (125.4)	4 3/16" (106.4)	2 1/16" (52.4)
B3163-3		5 7/16" (138.1)	5 3/8" (136.5)	5 7/16" (138.1)	4 5/8" (117.5)	2 9/16" (65.1)
B3164-3		5 13/16" (147.6)	6" (152.4)	5 7/8" (149.2)	4 15/16" (125.4)	3 1/16" (77.8)
B3165-3		7" (177.8)	7 1/16" (179.4)	7" (177.8)	6" (152.4)	4 1/8" (104.8)
B3160-3 1/2	3 1/2" (90)	3 13/16" (96.8)	3 7/8" (98.4)	3 13/16" (96.8)	3 3/16" (81.0)	1 1/32" (26.2)
B3161-3 1/2		4 3/8" (111.1)	4 3/8" (111.1)	4 3/8" (111.1)	3 11/16" (93.7)	1 9/16" (39.7)
B3162-3 1/2		5" (127.0)	5" (127.0)	5" (127.0)	4 1/4" (107.9)	2 1/16" (52.4)
B3163-3 1/2		5 1/2" (139.7)	5 11/16" (144.5)	5 9/16" (141.3)	4 5/8" (117.5)	2 25/32" (70.6)
B3164-3 1/2		6 3/16" (157.2)	6 5/16" (160.3)	6 3/16" (157.2)	5 1/4" (133.3)	3 1/16" (77.8)
B3160-4		4" (100)	4 1/8" (104.8)	4 1/8" (104.8)	4 1/8" (104.8)	3 7/16" (87.3)
B3161-4	4 11/16" (119.1)		4 7/16" (112.7)	4 3/4" (120.6)	4" (101.6)	1 9/16" (39.7)
B3162-4	5 5/16" (134.9)		5 1/4" (133.3)	5 5/16" (134.9)	4 1/2" (114.3)	2 1/16" (52.4)
B3163-4	5 13/16" (147.6)		6" (152.4)	5 7/8" (149.2)	4 15/16" (125.4)	2 9/16" (65.1)
B3164-4	6 7/16" (163.5)		6 9/16" (166.7)	6 7/16" (163.5)	5 1/2" (139.7)	3 1/8" (79.4)
B3165-4	7 9/16" (192.1)		7 5/8" (193.7)	7 9/16" (192.1)	6 1/2" (165.1)	4 1/8" (104.8)
B3160-5	5" (125)	4 11/16" (119.1)	4 11/16" (119.1)	4 3/4" (120.6)	3 15/16" (100.0)	1 1/32" (26.2)
B3161-5		5 5/16" (134.9)	5 1/4" (133.3)	5 5/16" (134.9)	4 9/16" (115.9)	1 17/32" (38.9)
B3162-5		5 7/8" (149.2)	6 1/8" (155.6)	6" (152.4)	5 1/8" (130.2)	2 1/32" (51.6)
B3163-5		6 7/16" (163.5)	6 9/16" (166.7)	6 7/16" (163.5)	5 9/16" (141.3)	2 9/16" (65.1)
B3164-5		7" (177.8)	7 3/16" (182.6)	7 1/8" (181.0)	6 1/8" (155.6)	3 3/32" (78.6)
B3165-5		8 3/16" (208.0)	8 3/16" (208.0)	8 3/8" (212.7)	7 1/16" (179.4)	4 5/32" (105.5)
B3160-6	6" (150)	5 1/4" (133.3)	5 1/4" (133.3)	5 1/4" (133.3)	4 1/2" (114.3)	1" (25.4)
B3161-6		5 7/8" (149.2)	6 1/16" (154.0)	5 15/16" (150.8)	5" (127.0)	1 1/2" (38.1)
B3162-6		6 1/2" (165.1)	6 5/8" (168.3)	6 1/2" (165.1)	5 9/16" (141.3)	2 1/16" (52.4)
B3163-6		7 1/16" (179.4)	7 1/8" (181.0)	7 1/8" (181.0)	6 1/16" (154.0)	2 9/16" (65.1)
B3164-6		7 5/8" (193.7)	7 11/16" (195.3)	7 5/8" (193.7)	6 9/16" (166.7)	3 1/16" (77.8)
B3165-6		9 1/16" (230.2)	8 15/16" (227.0)	9" (228.6)	7 3/4" (196.8)	4 3/16" (106.4)
B3160-8	8" (200)	6 1/2" (165.1)	6 5/8" (168.3)	6 9/16" (166.7)	5 9/16" (141.3)	1 1/32" (26.2)
B3161-8		7 1/16" (179.4)	7 1/8" (181.0)	7 1/16" (179.4)	6 1/16" (154.0)	1 9/16" (39.7)
B3162-8		7 9/16" (192.1)	7 5/8" (193.7)	7 5/8" (193.7)	6 9/16" (166.7)	2 1/16" (52.4)
B3163-8		8 5/16" (211.1)	8 5/16" (211.1)	8 1/2" (215.9)	7 3/16" (182.6)	2 11/16" (68.3)
B3164-8		9 1/16" (230.2)	8 15/16" (227.0)	9" (228.6)	7 3/4" (196.8)	3 3/16" (81.0)
B3165-8		10" (254.0)	9 15/16" (252.4)	10 1/16" (255.6)	8 11/16" (220.7)	4 3/16" (106.4)
B3160-10	10" (250)	7 11/16" (195.3)	7 3/4" (196.8)	7 7/8" (200.0)	6 5/8" (168.3)	3 1/32" (24.6)
B3161-10		8 5/16" (211.1)	8 5/16" (211.1)	8 7/16" (214.3)	7 3/16" (182.6)	1 5/8" (41.3)
B3162-10		9" (228.6)	8 7/8" (225.4)	8 7/8" (225.4)	7 11/16" (195.3)	2 1/8" (54.0)
B3163-10		9 5/8" (244.5)	9 7/16" (239.7)	9 1/2" (241.3)	8 3/16" (208.0)	2 5/8" (66.7)
B3164-10		10 1/8" (257.2)	10 3/16" (258.8)	10 3/16" (258.8)	8 3/4" (222.2)	3 1/8" (79.4)
B3165-10		11 1/4" (285.7)	11 3/16" (284.2)	11 1/4" (285.7)	9 3/4" (247.6)	4 1/8" (104.8)

Supports, Guides, Shields & Saddles

All dimensions in charts and on drawings are in inches. Dimensions shown in parentheses are in millimeters unless otherwise specified.

Pipe Supports, Guides, Shields & Saddles

B3160 thru B3165 - Pipe Covering Protection Saddle cont.

Insulation Thickness	Part Number
1" (25.4mm)	B3160
1 1/2" (38.1mm)	B3161
2" (50.8mm)	B3162

Insulation Thickness	Part Number
2 1/2" (63.5mm)	B3163
3" (76.2mm)	B3164
4" (101.6mm)	B3165

Supports, Guides, Shields & Saddles

Part No.	Pipe Size In. (mm)	Size For Roller Part Number			Design Load Lbs. (kN)	Approx. Wt./100 Lbs. (kg)	
		B3114 B3114 B3120, B3122 B3122A	B3117SL B3118SL B3119SL B3124, B3126	B3110			
B3160-12	12" (300)	14	12-14	16	5000 (22.24)	688	(312.1)
B3161-12		14	12-14	16	5000 (22.24)	836	(379.2)
B3162-12		16	16-20	18	5000 (22.24)	963	(436.8)
B3163-12		16	16-20	18	5000 (22.24)	1091	(494.9)
B3164-12		18	16-20	20	5000 (22.24)	1218	(552.5)
B3165-12		20	16-20	24	5000 (22.24)	1462	(663.1)
B3161-14	14" (350)	16	16-20	18	5000 (22.24)	828	(375.6)
B3162-14		16	16-20	18	5000 (22.24)	963	(436.8)
B3163-14		18	16-20	20	5000 (22.24)	1099	(498.5)
B3164-14		18	16-20	20	5000 (22.24)	1230	(557.9)
B3165-14		20	24	24	5000 (22.24)	1486	(674.0)
B3161-16	16" (400)	18	16-20	20	5000 (22.24)	907	(411.4)
B3162-16		18	16-20	20	5000 (22.24)	1039	(471.3)
B3163-16		20	16-20	24	7200 (32.02)	1163	(527.5)
B3164-16		20	24	24	7200 (32.02)	1298	(588.8)
B3165-16		24	24	24	7200 (32.02)	1554	(704.9)
B3161-18	18" (450)	20	16-20	24	5000 (22.24)	979	(444.1)
B3162-18		20	24	24	7200 (32.02)	1107	(502.1)
B3163-18		24	24	24	7200 (32.02)	1230	(557.9)
B3164-18		24	24	24	7200 (32.02)	1362	(617.8)
B3165-18		24	24	-	7200 (32.02)	1617	(733.5)
B3161-20	20" (500)	24	24	24	7200 (32.02)	1043	(473.1)
B3162-20		24	24	24	7200 (32.02)	1171	(531.1)
B3163-20		24	24	-	7200 (32.02)	1294	(586.9)
B3164-20		24	24	-	7200 (32.02)	1430	(648.6)
B3165-20		30	30	-	7200 (32.02)	1689	(766.1)
B3161-24	24" (600)	30	30	-	7200 (32.02)	1179	(534.8)
B3162-24		30	30	-	7200 (32.02)	1306	(592.4)
B3163-24		30	30	-	7200 (32.02)	1442	(654.1)
B3164-24		30	30	-	7200 (32.02)	1562	(708.5)
B3165-24		30	30	-	7200 (32.02)	1821	(826.0)
B3161-30	30" (750)	-	36-42	-	7200 (32.02)	1370	(621.4)
B3162-30		-	36-42	-	7200 (32.02)	1502	(681.3)
B3163-30		-	36-42	-	7200 (32.02)	1640	(743.9)
B3164-30		-	36-42	-	7200 (32.02)	1761	(798.8)
B3165-30		-	36-42	-	7200 (32.02)	2008	(910.8)
B3161-36	36" (900)	-	36-42	-	7200 (32.02)	1574	(713.9)
B3162-36		-	36-42	-	7200 (32.02)	1701	(771.6)
B3163-36		-	36-42	-	7200 (32.02)	1857	(842.3)
B3164-36		-	36-42	-	7200 (32.02)	1961	(889.5)
B3165-36		-	36-42	-	7200 (32.02)	2216	(1005.2)

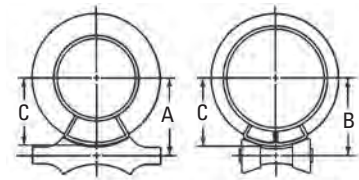
All dimensions in charts and on drawings are in inches. Dimensions shown in parentheses are in millimeters unless otherwise specified.

Pipe Supports, Guides, Shields & Saddles

B3160 thru B3165 - Pipe Covering Protection Saddle cont.

Insulation Thickness	Part Number
1" (25.4mm)	B3160
1 1/2" (38.1mm)	B3161
2" (50.8mm)	B3162

Insulation Thickness	Part Number
2 1/2" (63.5mm)	B3163
3" (76.2mm)	B3164
4" (101.6mm)	B3165



Part No.	Nominal Pipe Size In. (mm)	Centerline of Pipe to Centerline of Roll					Centerline of Pipe to Outside of Saddle C		Thickness of Covering (Per ASTM C 585)	
		A		B	A					
		B3114, B3120 B3122, B3122A	In. (mm)	B3117SL, B3118SL B3119SL B3124, B3126	In. (mm)	B3110	In. (mm)	In. (mm)	In. (mm)	
B3160-12	12" (300)	8 ¹⁵ / ₁₆ " (227.0)	8 ¹³ / ₁₆ " (223.8)	8 ⁷ / ₈ " (225.4)	7 ⁵ / ₈ " (193.7)	1 ¹ / ₁₆ " (27.0)				
B3161-12		9 ⁹ / ₁₆ " (242.9)	9 ⁷ / ₁₆ " (239.7)	9 ¹ / ₂ " (241.3)	8 ³ / ₁₆ " (208.0)	1 ⁵ / ₈ " (41.3)				
B3162-12		10 ¹ / ₁₆ " (255.6)	10 ¹ / ₈ " (257.2)	10 ¹ / ₈ " (257.2)	8 ³ / ₄ " (222.2)	2 ¹ / ₈ " (54.0)				
B3163-12		10 ⁵ / ₈ " (269.9)	10 ⁵ / ₈ " (269.9)	10 ⁵ / ₈ " (269.9)	9 ¹ / ₄ " (234.9)	2 ⁵ / ₈ " (66.7)				
B3164-12		11 ³ / ₁₆ " (284.2)	11 ³ / ₁₆ " (284.2)	11 ¹ / ₄ " (285.7)	9 ¹¹ / ₁₆ " (246.1)	3 ¹ / ₈ " (79.4)				
B3165-12	12 ⁵ / ₁₆ " (312.7)	12 ³ / ₁₆ " (309.6)	12 ⁵ / ₁₆ " (312.7)	10 ³ / ₄ " (273.0)	4 ¹ / ₈ " (104.8)					
B3161-14	14" (350)	10 ¹ / ₁₆ " (255.6)	9 ¹⁵ / ₁₆ " (252.4)	10 ¹ / ₁₆ " (255.6)	8 ¹¹ / ₁₆ " (220.7)	1 ¹ / ₂ " (38.1)				
B3162-14		10 ⁵ / ₈ " (269.9)	10 ⁵ / ₈ " (269.9)	10 ⁵ / ₈ " (269.9)	9 ³ / ₁₆ " (233.4)	2" (50.8)				
B3163-14		11 ³ / ₁₆ " (284.2)	11 ³ / ₁₆ " (284.2)	11 ¹ / ₄ " (285.7)	9 ³ / ₄ " (247.6)	2 ¹ / ₂ " (63.5)				
B3164-14		11 ³ / ₄ " (298.4)	11 ¹¹ / ₁₆ " (296.9)	11 ³ / ₄ " (298.4)	10 ¹ / ₄ " (260.3)	3" (76.2)				
B3165-14		12 ⁷ / ₈ " (327.0)	12 ⁷ / ₁₆ " (315.9)	12 ⁷ / ₈ " (327.0)	11 ³ / ₁₆ " (284.2)	4" (101.6)				
B3161-16	16" (400)	11 ¹ / ₈ " (282.6)	11 ¹ / ₈ " (282.6)	11 ³ / ₁₆ " (284.2)	9 ¹¹ / ₁₆ " (246.1)	1 ¹ / ₂ " (38.1)				
B3162-16		11 ¹³ / ₁₆ " (300.0)	11 ¹¹ / ₁₆ " (296.9)	11 ³ / ₄ " (298.4)	10 ¹ / ₄ " (260.3)	2" (50.8)				
B3163-16		12 ⁵ / ₁₆ " (312.7)	12 ¹ / ₈ " (308.0)	12 ⁵ / ₁₆ " (312.7)	10 ¹¹ / ₁₆ " (271.5)	2 ¹ / ₂ " (63.5)				
B3164-16		12 ⁷ / ₈ " (327.0)	12 ⁹ / ₁₆ " (319.1)	12 ⁷ / ₈ " (327.0)	11 ¹ / ₄ " (285.7)	3" (76.2)				
B3165-16		13 ¹⁵ / ₁₆ " (354.0)	13 ⁹ / ₁₆ " (344.5)	13 ¹⁵ / ₁₆ " (354.0)	12 ¹ / ₄ " (311.1)	4" (101.6)				
B3161-18	18" (450)	12 ¹ / ₄ " (311.1)	12 ¹ / ₈ " (308.0)	12 ¹ / ₄ " (311.1)	10 ¹¹ / ₁₆ " (271.5)	1 ¹ / ₂ " (38.1)				
B3162-18		12 ⁷ / ₈ " (327.0)	12 ¹ / ₂ " (317.5)	12 ⁷ / ₈ " (327.0)	11 ¹ / ₄ " (285.7)	2" (50.8)				
B3163-18		13 ³ / ₈ " (339.7)	13" (330.2)	13 ³ / ₈ " (339.7)	11 ¹¹ / ₁₆ " (296.9)	2 ¹ / ₂ " (63.5)				
B3164-18		13 ¹⁵ / ₁₆ " (354.0)	13 ⁹ / ₁₆ " (344.5)	13 ¹⁵ / ₁₆ " (354.0)	12 ¹ / ₄ " (311.1)	3" (76.2)				
B3165-18		15" (381.0)	14 ⁹ / ₁₆ " (369.9)	-- --	13 ¹ / ₄ " (336.5)	4" (101.6)				
B3161-20	20" (500)	13 ³ / ₈ " (339.7)	13" (330.2)	13 ³ / ₈ " (339.7)	11 ¹¹ / ₁₆ " (296.9)	1 ¹ / ₂ " (38.1)				
B3162-20		13 ¹⁵ / ₁₆ " (354.0)	13 ¹ / ₂ " (342.9)	13 ¹⁵ / ₁₆ " (354.0)	12 ³ / ₁₆ " (309.6)	2" (50.8)				
B3163-20		14 ⁷ / ₁₆ " (366.7)	14" (355.6)	-- --	12 ¹¹ / ₁₆ " (322.3)	2 ¹ / ₂ " (63.5)				
B3164-20		14 ¹⁵ / ₁₆ " (379.4)	14 ⁹ / ₁₆ " (369.9)	-- --	13 ³ / ₁₆ " (350.8)	3" (76.2)				
B3165-20		16 ¹ / ₄ " (412.7)	15 ⁷ / ₈ " (403.2)	-- --	14 ¹ / ₄ " (361.9)	4" (101.6)				
B3161-24	24" (600)	15 ¹¹ / ₁₆ " (398.5)	15 ⁵ / ₁₆ " (388.9)	-- --	13 ¹¹ / ₁₆ " (347.7)	1 ¹ / ₂ " (38.1)				
B3162-24		16 ¹ / ₄ " (412.8)	15 ⁷ / ₈ " (403.2)	-- --	14 ³ / ₁₆ " (360.4)	2" (50.8)				
B3163-24		16 ³ / ₄ " (425.4)	16 ⁵ / ₁₆ " (414.3)	-- --	14 ⁵ / ₈ " (377.8)	2 ¹ / ₂ " (63.5)				
B3164-24		17 ³ / ₈ " (441.3)	16 ⁷ / ₈ " (428.6)	-- --	15 ¹ / ₄ " (387.3)	3" (76.2)				
B3165-24		18 ⁷ / ₁₆ " (468.3)	17 ¹⁵ / ₁₆ " (455.6)	-- --	16 ¹ / ₄ " (412.7)	4" (101.6)				
B3161-30	30" (750)	-- --	18 ⁷ / ₈ " (479.4)	-- --	16 ¹¹ / ₁₆ " (423.9)	1 ¹ / ₂ " (38.1)				
B3162-30		-- --	19 ³ / ₈ " (492.1)	-- --	17 ³ / ₁₆ " (436.6)	2" (50.8)				
B3163-30		-- --	19 ¹⁵ / ₁₆ " (506.4)	-- --	17 ¹¹ / ₁₆ " (449.3)	2 ¹ / ₂ " (63.5)				
B3164-30		-- --	20 ¹ / ₂ " (520.7)	-- --	18 ³ / ₁₆ " (462.0)	3" (76.2)				
B3165-30		-- --	21 ¹ / ₂ " (546.1)	-- --	19 ³ / ₁₆ " (487.4)	4" (101.6)				
B3161-36	36" (900)	-- --	22 ¹ / ₈ " (562.0)	-- --	19 ¹¹ / ₁₆ " (500.1)	1 ¹ / ₂ " (38.1)				
B3162-36		-- --	22 ⁵ / ₈ " (574.7)	-- --	20 ³ / ₁₆ " (512.8)	2" (50.8)				
B3163-36		-- --	23 ³ / ₁₆ " (589.0)	-- --	20 ¹¹ / ₁₆ " (525.5)	2 ¹ / ₂ " (63.5)				
B3164-36		-- --	23 ¹¹ / ₁₆ " (601.7)	-- --	21 ³ / ₁₆ " (538.2)	3" (76.2)				
B3165-36		-- --	24 ¹¹ / ₁₆ " (627.1)	-- --	22 ³ / ₁₆ " (563.6)	4" (101.6)				

Supports, Guides,
Shields & Saddles

All dimensions in charts and on drawings are in inches. Dimensions shown in parentheses are in millimeters unless otherwise specified.

Pipe Supports, Guides, Shields & Saddles

Insulation Protection Shields

Selection Tables for:

B3151 Insulation Protection Shield (Page 166)

B3153 Insulation Protection Shield with 'Loc' Tabs (Page 166)

B3154 Short Insulation Protection Shield (Page 167)

B3155 Short Insulation Protection Shield with 'Loc' Tabs (Page 167)

Shield Size Selection Table

Nominal Pipe or Tubing Size in. (mm)	Insulation Thickness							
	1/2" (12.7mm)	3/4" (19.0mm)	1" (25.4mm)	1 1/2" (38.1mm)	2" (50.8mm)	2 1/2" (63.5mm)	3" (76.2mm)	4" (101.6mm)
1/2" (15)	1X	2X	3X	5X	7X	--	--	--
3/4" (20)	2X	3X	3X	5X	7X	--	--	--
1" (25)	2X	3X	4X	6X	8X	--	--	--
1 1/4" (32)	3X	4X	4X	7X	8X	--	--	--
1 1/2" (40)	3X	4X	5X	7X	9X	--	--	--
2" (50)	4X	5X	6X	8X	9X	10X*	11X*	--
2 1/2" (65)	5X	6X	7X	9X	10X*	11X*	11X*	13Y*
3" (80)	6X	7X	8X	9X	10X*	11X*	12Y*	14Z
3 1/2" (90)	7X	8X	9X	10X*	11X*	12Y*	13Y*	15Z
4" (100)	8X	9X	9X	10X*	11X*	12Y*	13Y*	15Z
5" (125)	--	--	10Y*	11Y*	12Y*	13Y*	14Z	16Z
6" (150)	--	--	11Y*	12Y*	13Y*	14Z	15Z	17Z
8" (200)	--	--	13Y*	14Z	15Z	16Z	17Z	19Z
10" (250)	--	--	15Z	16Z	17Z	18Z	19Z	21Z
12" (300)	--	--	17Z	18Z	19Z	20Z	21Z	23Z
14" (350)	--	--	18Z	19Z	20Z	21Z	22Z	24Z
16" (400)	--	--	20Z	21Z	22Z	23Z	24Z	26Z
18" (450)	--	--	22Z	23Z	24Z	25Z	26Z	28Z
20" (500)	--	--	24Z	25Z	26Z	27Z	28Z	30Z
24" (600)	--	--	28Z	29Z	30Z	31Z	32Z	33Z

*When selecting B3154 or B3155, replace 'X' or 'Y' designation with 'Z'.

All dimensions in charts and on drawings are in inches. Dimensions shown in parentheses are in millimeters unless otherwise specified.

Pipe Hanger Size Selection Table

Nominal Pipe or Tubing Size in. (mm)	Insulation Thickness							
	1/2" (12.7mm)	3/4" (19.0mm)	1" (25.4mm)	1 1/2" (38.1mm)	2" (50.8mm)	2 1/2" (63.5mm)	3" (76.2mm)	4" (101.6mm)
1/2" (15)	1 1/2	2	2 1/2	3 1/2	5	--	--	--
3/4" (20)	2	2 1/2	2 1/2	3 1/2	5	--	--	--
1" (25)	2	2 1/2	3	4	5	--	--	--
1 1/4" (32)	2 1/2	3	3	5	5	--	--	--
1 1/2" (40)	2 1/2	3	3 1/2	5	6	--	--	--
2" (50)	3	3 1/2	4	5	6	8	8	--
2 1/2" (65)	3 1/2	4	5	6	8	8	10	10
3" (80)	4	5	5	6	8	8	10	12
3 1/2" (90)	5	5	6	8	8	10	10	12
4" (100)	5	6	6	8	8	10	10	12
5" (125)	--	--	8	8	10	10	12	14
6" (150)	--	--	8	10	10	12	12	16
8" (200)	--	--	10	12	12	14	16	18
10" (250)	--	--	12	14	16	16	18	20
12" (300)	--	--	14	16	18	18	20	22
14" (350)	--	--	16	18	18	20	20	22
16" (400)	--	--	18	20	20	22	22	24
18" (450)	--	--	20	22	22	24	24	26
20" (500)	--	--	22	24	24	26	26	28
24" (600)	--	--	26	28	28	30	30	32

All dimensions in charts and on drawings are in inches. Dimensions shown in parentheses are in millimeters unless otherwise specified.

Pipe Supports, Guides, Shields & Saddles

B3151 - Insulation Protection Shield B3153 - Insulation Protection Shield with "Loc" Tabs

Material: Steel (Stainless steel available)

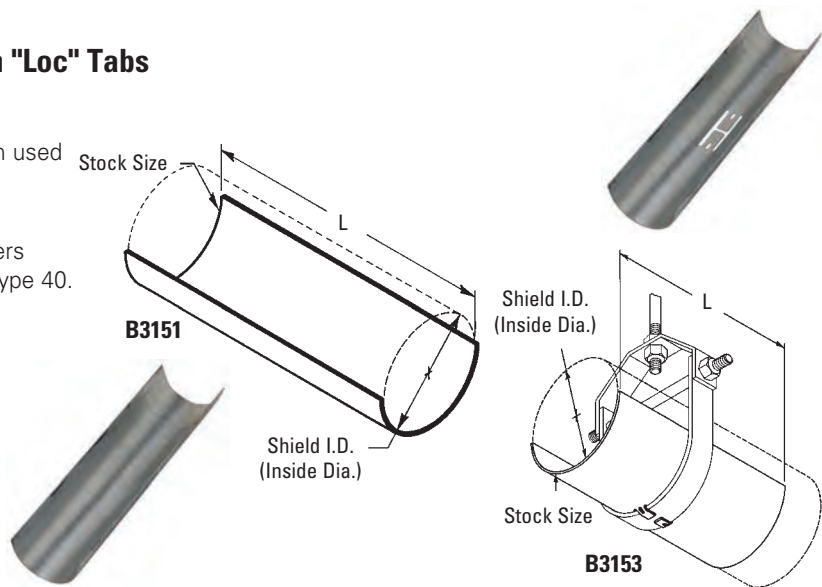
Function: Designed to protect pipe insulation when used with hangers.

Approvals: Complies with Federal Specification WW-H-171E & A-A-1192A Type 41 and Manufacturers Standardization Society ANSI/MSS SP-69 & SP-58 Type 40.

Finish: Pre-Galvanized

Order By: Part number and finish.

Note: See Selection Tables on page 164 for proper sizing.



B3153 same dimension as B3151, but with bottom tabs for centering and securing the shield to hanger.

Part No.	Part No.	Stock Size in. (mm)	L in. (mm)	Shield 'I.D.' in. (mm)	Approx. Wt./100 Lbs. (kg)	Pipe Hanger Size in. (mm)
B3151-1X	B3153-1X	18 Ga. (1.2)	12" (304.8)	1.90 (48.2)	50 (22.7)	1 1/2" (40)
B3151-2X	B3153-2X	18 Ga. (1.2)	12" (304.8)	2.38 (60.4)	62 (28.1)	2" (50)
B3151-3X	B3153-3X	18 Ga. (1.2)	12" (304.8)	2.88 (73.1)	75 (34.0)	2 1/2" (65)
B3151-4X	B3153-4X	18 Ga. (1.2)	12" (304.8)	3.50 (88.9)	92 (41.7)	3" (80)
B3151-5X	B3153-5X	18 Ga. (1.2)	12" (304.8)	4.00 (101.6)	104 (47.2)	3 1/2" (90)
B3151-6X	B3153-6X	18 Ga. (1.2)	12" (304.8)	4.50 (114.3)	118 (53.5)	4" (100)
B3151-7X	B3153-7X	18 Ga. (1.2)	12" (304.8)	5.00 (127.0)	129 (58.5)	5" (125)
B3151-8X	B3153-8X	18 Ga. (1.2)	12" (304.8)	5.56 (141.2)	147 (66.7)	5" (125)
B3151-9X	B3153-9X	16 Ga. (1.5)	12" (304.8)	6.64 (168.6)	219 (99.3)	6" (150)
B3151-10X	B3153-10X	16 Ga. (1.5)	12" (304.8)	7.64 (194.0)	253 (114.7)	8" (200)
B3151-11X	B3153-11X	16 Ga. (1.5)	12" (304.8)	8.64 (219.4)	286 (129.7)	8" (200)
B3151-10Y	--	16 Ga. (1.5)	18" (457.2)	7.64 (194.0)	377 (171.0)	8" (200)
B3151-11Y	--	16 Ga. (1.5)	18" (457.2)	8.64 (219.4)	424 (192.3)	8" (200)
B3151-12Y	--	16 Ga. (1.5)	18" (457.2)	9.64 (244.8)	475 (215.4)	10" (250)
B3151-13Y	--	16 Ga. (1.5)	18" (457.2)	10.76 (273.3)	529 (239.9)	10" (250)
B3151-14Z	--	14 Ga. (1.9)	24" (609.6)	11.76 (298.7)	964 (437.3)	12" (300)
B3151-15Z	--	14 Ga. (1.9)	24" (609.6)	12.76 (324.1)	1045 (474.0)	12" (300)
B3151-16Z	--	14 Ga. (1.9)	24" (609.6)	14.00 (355.6)	1146 (519.8)	14" (350)
B3151-17Z	--	14 Ga. (1.9)	24" (609.6)	15.00 (381.0)	1227 (556.5)	16" (400)
B3151-18Z	--	14 Ga. (1.9)	24" (609.6)	16.00 (406.4)	1308 (593.3)	16" (400)
B3151-19Z	--	14 Ga. (1.9)	24" (609.6)	17.00 (431.8)	1393 (631.8)	18" (450)
B3151-20Z	--	12 Ga. (2.6)	24" (609.6)	18.00 (457.2)	2064 (936.2)	18" (450)
B3151-21Z	--	12 Ga. (2.6)	24" (609.6)	19.00 (482.6)	2178 (987.9)	20" (500)
B3151-22Z	--	12 Ga. (2.6)	24" (609.6)	20.00 (508.0)	2292 (1039.6)	20" (500)
B3151-23Z	--	12 Ga. (2.6)	24" (609.6)	21.00 (533.4)	2406 (1091.3)	24" (600)
B3151-24Z	--	12 Ga. (2.6)	24" (609.6)	22.00 (558.8)	2520 (1143.1)	24" (600)
B3151-25Z	--	12 Ga. (2.6)	24" (609.6)	23.00 (584.2)	2634 (1194.8)	24" (600)
B3151-26Z	--	12 Ga. (2.6)	24" (609.6)	24.00 (609.6)	2753 (1248.7)	24" (600)
B3151-27Z	--	12 Ga. (2.6)	24" (609.6)	25.00 (635.0)	2862 (1298.2)	30" (750)
B3151-28Z	--	12 Ga. (2.6)	24" (609.6)	26.00 (660.4)	2980 (1351.7)	30" (750)
B3151-29Z	--	12 Ga. (2.6)	24" (609.6)	27.00 (685.8)	3094 (1403.4)	30" (750)
B3151-30Z	--	12 Ga. (2.6)	24" (609.6)	28.00 (711.2)	3208 (1455.1)	30" (750)

All dimensions in charts and on drawings are in inches. Dimensions shown in parentheses are in millimeters unless otherwise specified.

Pipe Supports, Guides, Shields & Saddles

B3154 - Short Insulation Protection Shield

B3155 - Short Insulation Protection Shield with "Loc" Tabs

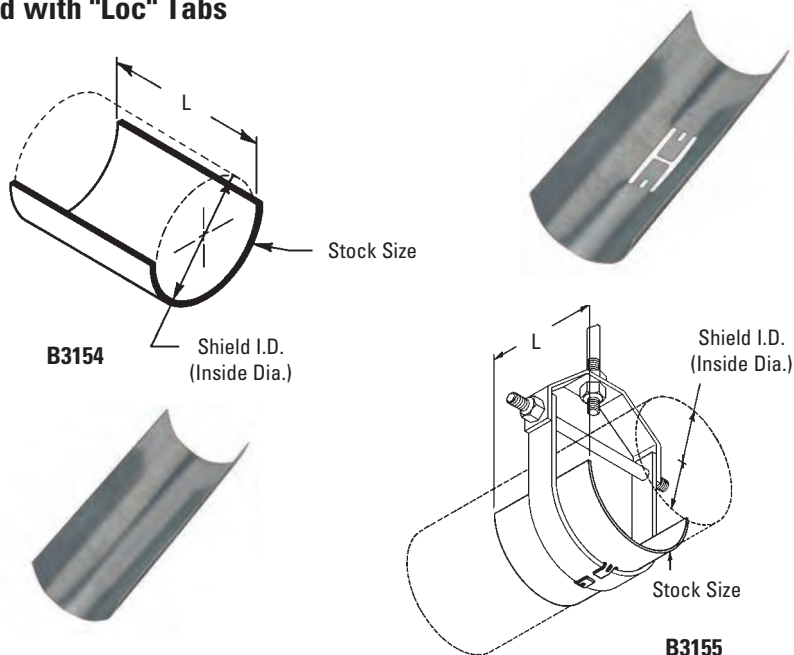
Material: Steel (Stainless steel available)

Function: Designed for protection of foam, fiberglass, or high density insulation when used with pipe hangers.

Finish: Pre-Galvanized

Order By: Part number and finish.

Note: See Selection Tables on page 164 for proper sizing.



Supports, Guides, Shields & Saddles

B3155 same dimension as B3154 but with bottom tabs for centering and securing the shield to hanger.

Part No.	Part No.	Stock Size		L	Shield 'I.D.'		Approx.Wt./100		Pipe Hanger Size		
		in.	(mm)		in.	(mm)	Lbs.	(kg)	in.	(mm)	
B3154-1X	B3155-1X	18 Ga.	(1.2)	8"	(203.2)	1.90	(48.2)	36	(16.3)	1 1/2"	(40)
B3154-2X	B3155-2X	18 Ga.	(1.2)	8"	(203.2)	2.38	(60.4)	45	(20.4)	2"	(50)
B3154-3X	B3155-3X	18 Ga.	(1.2)	8"	(203.2)	2.88	(73.1)	54	(24.5)	2 1/2"	(65)
B3154-4X	B3155-4X	18 Ga.	(1.2)	8"	(203.2)	3.50	(88.9)	66	(29.9)	3"	(80)
B3154-5X	B3155-5X	18 Ga.	(1.2)	8"	(203.2)	4.00	(101.6)	75	(34.0)	3 1/2"	(90)
B3154-6X	B3155-6X	18 Ga.	(1.2)	8"	(203.2)	4.50	(114.3)	84	(38.1)	4"	(100)
B3154-7X	B3155-7X	18 Ga.	(1.2)	8"	(203.2)	5.00	(127.0)	93	(42.2)	5"	(125)
B3154-8X	B3155-8X	18 Ga.	(1.2)	8"	(203.2)	5.56	(141.2)	105	(47.6)	5"	(125)
B3154-9X	B3155-9X	18 Ga.	(1.2)	8"	(203.2)	6.64	(168.6)	126	(57.1)	6"	(150)
B3154-10Z	B3155-10Z	18 Ga.	(1.2)	12"	(304.8)	7.64	(194.0)	218	(98.9)	8"	(200)
B3154-11Z	B3155-11Z	18 Ga.	(1.2)	12"	(304.8)	8.64	(219.4)	247	(112.0)	8"	(200)
B3154-12Z	B3155-12Z	18 Ga.	(1.2)	12"	(304.8)	9.64	(244.8)	273	(123.8)	10"	(250)
B3154-13Z	B3155-13Z	18 Ga.	(1.2)	12"	(304.8)	10.76	(273.3)	304	(137.9)	10"	(250)
B3154-14Z	B3155-14Z	18 Ga.	(1.2)	12"	(304.8)	11.76	(298.7)	332	(150.6)	12"	(300)
B3154-15Z	B3155-15Z	18 Ga.	(1.2)	12"	(304.8)	12.76	(324.1)	360	(163.3)	12"	(300)

All dimensions in charts and on drawings are in inches. Dimensions shown in parentheses are in millimeters unless otherwise specified.

Pipe Supports, Guides, Shields & Saddles

BPSxxxB - Snap 'N Shield™ for Strut Channel (black) BPSxxxW - Snap 'N Shield™ for Strut Channel (white)

Material: Prime grade high-impact copolymer polypropylene

Features:

- Fast easy installation – snaps onto strut channel: up to 60% quicker than traditional metal shields
- Horizontal installation attachment feature to minimize the need to lift the pipe during installation
- No tools required for installation
- Tight snap-on fit design helps eliminate shield movement which helps prevent insulation damage
- Tapered end lip design helps protect insulation from damage that can be caused by sharp edge of traditional saddles
- High sidewalls are designed to contain refrigerant liquid lines for efficient system installation
- Designed for side-by-side installation to help minimize costs in high density applications
- Wide mounting flange to allow for optional self-tapping screws
- MSS Standards require 12" (205mm) of surface contact for pipe sizes up to 4" (100mm). All sizes of Snap 'N Shield have 12" (305mm) of surface contact
- Built-in cable tie grooves
- UL Classified for US and Canada
- UV resistant
- Operating temperature: -40°F (-40°C) to 178° (81°C)
- Paintable
- Custom textured interior shield surface to allow for thermal expansion of insulated piping

Applications: Strut or trapeze mounted horizontal pipe runs for refrigeration, air conditioning and plumbing

Certification:

- UL Classified for USA UL723 (ASTM E84)
Ceiling: FS15 / SD0
Floor: FS150 / SD250
UL Classified for Canada per CAN/ULC-S102.2
FSR 145 / SDC 600
- Material is FDA compliant, RoHS compliant, CA Proposition 65 compliant

Color: Black (B) or White (W)

Order By: Part number

Patent(s) Pending



Black Shield Part No.	White Shield Part No.	Inside Opening		Approx. Wt./100	
		in.	(mm)	lbs.	(kg)
BPS200B	BPS200W	2.35"	(60)	21.5	(9.6)
BPS300B	BPS300W	3.46"	(88)	29.8	(13.5)
BPS400B	BPS400W	4.50"	(114)	38.1	(17.3)
BPS500B	BPS500W	5.52"	(140)	46.4	(21.0)
BPS600B	BPS600W	6.50"	(165)	55.1	(25.0)
BPS800B	BPS800W	8.64"	(220)	75.3	(34.2)

All dimensions in charts and on drawings are in inches. Dimensions shown in parentheses are in millimeters unless otherwise specified.

Pipe Supports, Guides, Shields & Saddles

BPSxxxB - Snap 'N Shield™ for Strut Channel (black)

BPSxxxW - Snap 'N Shield™ for Strut Channel (white)

Sizing Tables for Strut Channel Attachment

Sch. 40/80 Pipe Size	Insulation Thickness				
	1/2"	3/4"	1"	1 1/2"	2"
1/4"	BPS200_	BPS200_	BPS300_	BPS400_	BPS500_
3/8"	BPS200_	BPS200_	BPS300_	BPS400_	BPS500_
1/2"	BPS200_	BPS200_	BPS300_	BPS400_	BPS500_
3/4"	BPS200_	BPS300_	BPS300_	BPS400_	BPS500_
1"	BPS200_	BPS300_	BPS300_	BPS400_	BPS500_
1 1/4"	BPS300_	BPS300_	BPS400_	BPS500_	BPS600_
1 1/2"	BPS300_	BPS300_	BPS400_	BPS500_	BPS600_
2"	BPS300_	BPS400_	BPS400_	BPS500_	BPS600_
2 1/2"	BPS400_	BPS400_	BPS500_	BPS600_	BPS800_
3"	BPS400_	BPS500_	BPS500_	BPS600_	BPS800_
3 1/2"	BPS500_	BPS500_	BPS600_	BPS800_	BPS800_
4"	BPS500_	BPS600_	BPS600_	BPS800_	BPS800_
5"	BPS800_	BPS800_	BPS800_	BPS800_	--
6"	BPS800_	BPS800_	BPS800_	--	--

_ Insert B for Black or W for White

Copper Tubing Size	Insulation Thickness				
	1/2"	3/4"	1"	1 1/2"	2"
1/4"	BPS200_	BPS200_	BPS300_	BPS300_	BPS400_
3/8"	BPS200_	BPS200_	BPS300_	BPS400_	BPS400_
1/2"	BPS200_	BPS200_	BPS300_	BPS400_	BPS500_
5/8"	BPS200_	BPS200_	BPS300_	BPS400_	BPS500_
3/4"	BPS200_	BPS300_	BPS300_	BPS400_	BPS500_
1"	BPS200_	BPS300_	BPS300_	BPS400_	BPS500_
1 1/4"	BPS300_	BPS300_	BPS300_	BPS400_	BPS500_
1 1/2"	BPS300_	BPS300_	BPS400_	BPS500_	BPS600_
2"	BPS300_	BPS400_	BPS400_	BPS500_	BPS600_
2 1/2"	BPS400_	BPS400_	BPS500_	BPS600_	BPS800_
3"	BPS400_	BPS500_	BPS500_	BPS600_	BPS800_
3 1/2"	BPS500_	BPS500_	BPS600_	BPS800_	BPS800_
4"	BPS500_	BPS600_	BPS600_	BPS800_	BPS800_
5"	BPS600_	BPS800_	BPS800_	BPS800_	--
6"	BPS800_	BPS800_	BPS800_	--	--

_ Insert B for Black or W for White

All dimensions in charts and on drawings are in inches. Dimensions shown in parentheses are in millimeters unless otherwise specified.

Pipe Supports, Guides, Shields & Saddles

BPCHxxxB - Snap 'N Shield™ for Pipe (Clevis) & Band Hangers (black)

BPCHxxxW - Snap 'N Shield™ for Pipe (Clevis) & Band Hangers (white)

Material: Prime grade high-impact copolymer polypropylene

Features:

- Innovative, one-piece snap-on design for fast, easy installation onto clevis and band hangers
- No tools required for installation
- Helps eliminate shield movement which helps prevent insulation damage
- Tapered end lip design helps protect insulation from damage that can be caused by sharp edge of traditional saddles
- High sidewalls are designed to contain refrigerant liquid lines for efficient system installation
- MSS Standards require 12" (205mm) of surface contact for pipe sizes up to 4" (100mm). All sizes of Snap 'N Shield have 12" (305mm) of surface contact
- Built-in cable tie grooves
- UL Classified for US and Canada
- UV resistant
- Operating temperature: -40°F (-40°C) to 178° (81°C)
- Paintable
- Custom textured interior shield surface to allow for thermal expansion of insulated piping

Applications: Clevis or band hangers used in horizontal pipe runs for refrigeration, air conditioning and plumbing

Certification:

- UL Classified for USA UL723 (ASTM E84)
Ceiling: FS15 / SD0
Floor: FS150 / SD250
- UL Classified for Canada per CAN/ULC-S102.2
FSR 145 / SDC 600
- Material is FDA compliant, RoHS compliant, CA Proposition 65 compliant

Color: Black (B) or White (W)

Order By: Part number

Patent(s) Pending



Black Shield Part No.	White Shield Part No.	Inside Opening		Appropriate Hanger		Approx. Wt./100	
		in.	(mm)	Clevis	Band	lbs.	(kg)
BPCH200B	BPCH200W	2.35"	(60)	B3100-2	Fig. 200-2	18.3	(8.3)
BPCH300B	BPCH300W	3.46"	(88)	B3100-3	Fig. 200-3	25.2	(11.4)
BPCH400B	BPCH400W	4.50"	(114)	B3100-4	Fig. 200-4	31.9	(14.5)
BPCH500B	BPCH500W	5.52"	(140)	B3100-5	Fig. 200-5	38.4	(17.4)
BPCH600B	BPCH600W	6.50"	(165)	B3100-6	Fig. 200-6	45.0	(20.4)
BPCH800B	BPCH800W	8.64"	(220)	B3100-8	Fig. 200-8	59.8	(27.1)

All dimensions in charts and on drawings are in inches. Dimensions shown in parentheses are in millimeters unless otherwise specified.

Pipe Supports, Guides, Shields & Saddles

BPCHxxxB - Snap 'N Shield™ for Pipe (Clevis) & Band Hangers (black)

BPCHxxxW - Snap 'N Shield™ for Pipe (Clevis) & Band Hangers (white)

Supports, Guides,
Shields & Saddles

Sizing Tables for Pipe & Band Hanger Attachment

Sch. 40/80 Pipe Size	Insulation Thickness				
	1/2"	3/4"	1"	1 1/2"	2"
1/4"	BPCH200_	BPCH200_	BPCH300_	BPCH400_	BPCH500_
3/8"	BPCH200_	BPCH200_	BPCH300_	BPCH400_	BPCH500_
1/2"	BPCH200_	BPCH200_	BPCH300_	BPCH400_	BPCH500_
3/4"	BPCH200_	BPCH300_	BPCH300_	BPCH400_	BPCH500_
1"	BPCH200_	BPCH300_	BPCH300_	BPCH400_	BPCH500_
1 1/4"	BPCH300_	BPCH300_	BPCH400_	BPCH500_	BPCH600_
1 1/2"	BPCH300_	BPCH300_	BPCH400_	BPCH500_	BPCH600_
2"	BPCH300_	BPCH400_	BPCH400_	BPCH500_	BPCH600_
2 1/2"	BPCH400_	BPCH400_	BPCH500_	BPCH600_	BPCH800_
3"	BPCH400_	BPCH500_	BPCH500_	BPCH600_	BPCH800_
3 1/2"	BPCH500_	BPCH500_	BPCH600_	BPCH800_	BPCH800_
4"	BPCH500_	BPCH600_	BPCH600_	BPCH800_	BPCH800_
5"	BPCH800_	BPCH800_	BPCH800_	BPCH800_	--
6"	BPCH800_	BPCH800_	BPCH800_	--	--

_ Insert B for Black or W for White

Copper Tubing Size	Insulation Thickness				
	1/2"	3/4"	1"	1 1/2"	2"
1/4"	BPCH200_	BPCH200_	BPCH300_	BPCH300_	BPCH400_
3/8"	BPCH200_	BPCH200_	BPCH300_	BPCH400_	BPCH400_
1/2"	BPCH200_	BPCH200_	BPCH300_	BPCH400_	BPCH500_
5/8"	BPCH200_	BPCH200_	BPCH300_	BPCH400_	BPCH500_
3/4"	BPCH200_	BPCH300_	BPCH300_	BPCH400_	BPCH500_
1"	BPCH200_	BPCH300_	BPCH300_	BPCH400_	BPCH500_
1 1/4"	BPCH300_	BPCH300_	BPCH300_	BPCH400_	BPCH500_
1 1/2"	BPCH300_	BPCH300_	BPCH400_	BPCH500_	BPCH600_
2"	BPCH300_	BPCH400_	BPCH400_	BPCH500_	BPCH600_
2 1/2"	BPCH400_	BPCH400_	BPCH500_	BPCH600_	BPCH800_
3"	BPCH400_	BPCH500_	BPCH500_	BPCH600_	BPCH800_
3 1/2"	BPCH500_	BPCH500_	BPCH600_	BPCH800_	BPCH800_
4"	BPCH500_	BPCH600_	BPCH600_	BPCH800_	BPCH800_
5"	BPCH600_	BPCH800_	BPCH800_	BPCH800_	--
6"	BPCH800_	BPCH800_	BPCH800_	--	--

_ Insert B for Black or W for White

All dimensions in charts and on drawings are in inches. Dimensions shown in parentheses are in millimeters unless otherwise specified.