

Product catalog
Middle East offering

B-LINE
SERIES

Pipe hanger solutions

for commercial and industrial applications



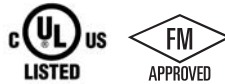
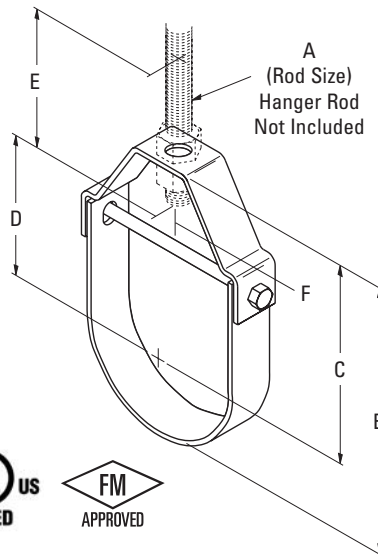
EATON

Powering Business Worldwide

B3100 series

B3100 - Standard clevis hanger

- Pipe will not 'pinch' when installing.
- 15° swing in either direction allows pipe to easily feed thru.
- Engineered design aligns bolt holes for quicker overhead installation.



Component of State of California OSHPD Approved Seismic Restraints System

B
Bottom of pipe to top of hanger.

C
Center of pipe to top of hanger.

D
Rod Take-Out
Center of pipe to bottom of hanger rod.

E
Minimum thread length of hanger rod

F
Adjustment
Top of cross bolt to bottom of hanger rod nut inside the hanger.

*SLIDE-RITE™ Clevis Hanger design, as shown above, for sizes 2, 2½, 3, 4, 5 & 6.

Pat. No. 5,848,770
5,924,655

Part No.	Nominal Pipe Size		Rod Size A		B		C		D	
	in	mm	Std	NFPA*	in	mm	in	mm	in	mm
B3100-1½	1½"	15	¾"-16	¾"-16	2⅛"	54.0	1¾"	44.4	1⅝"	23.8
B3100-¾	¾"	20	¾"-16	¾"-16	2½"	63.5	2"	50.8	1⅞"	28.6
B3100-1	1"	25	¾"-16	¾"-16	2⅞"	73.0	2¼"	57.1	1⅝"	34.9
B3100-1¼	1¼"	32	¾"-16	¾"-16	3½"	88.9	2⅞"	68.2	1⅞"	46.0
B3100-1½	1½"	40	¾"-16	¾"-16	4"	101.6	3⅛"	77.8	2¼"	57.1
B3100-2*	2"	50	¾"-16	¾"-16	4½"	114.3	3⅝"	84.1	2½"	63.5
B3100-2½*	2½"	65	½"-13	¾"-16	5⅞"	136.5	3⅝"	100.0	3⅞"	77.8
B3100-3	3"	80	½"-13	¾"-16	6½"	165.1	4¾"	120.6	3⅝"	100.0
B3100-3½	3½"	90	½"-13	¾"-16	7¼"	184.1	5¼"	133.3	4⅞"	103.2
B3100-4*	4"	100	⅝"-11	¾"-16	7¾"	196.8	5½"	139.7	5½"	139.7
B3100-5*	5"	125	⅝"-11	½"-13	8¾"	222.2	6⅞"	155.6	6"	152.4
B3100-6*	6"	150	¾"-10	½"-13	10⅝"	261.9	6⅝"	176.2	7"	177.8
B3100-8	8"	200	¾"-10	½"-13	12¾"	323.8	8⅞"	214.3	7⅞"	181.0
B3100-10	10"	250	⅞"-9	⅝"-11	15⅞"	384.2	9¾"	247.6	8⅞"	212.7
B3100-12	12"	300	⅞"-9	⅝"-11	17½"	444.5	11⅞"	282.6	9⅞"	246.1
B3100-14	14"	350	1"-8	--	19⅝"	492.1	12⅞"	314.3	10⅝"	269.9
B3100-16	16"	400	1"-8	--	21⅝"	542.9	13⅝"	339.7	11⅞"	293.7
B3100-18	18"	450	1"-8	--	25"	635.0	16"	406.4	14⅞"	360.3
B3100-20	20"	500	1¼"-7	--	28¾"	730.2	17¾"	450.8	16⅝"	422.3
B3100-24	24"	600	1¼"-7	--	32¾"	831.8	19¾"	501.6	18⅝"	473.3
B3100-30	30"	750	1¼"-7	--	39⅝"	1014.4	24⅝"	633.4	22⅝"	577.8
B3100-36	36"	900	1¼"-7	--	46"	1168.4	28"	711.2	25"	635.0

B3100 - Standard clevis hanger

Size range: 1/2" (15mm) to 36" (900mm)

Material: Steel

Function: Recommended for the suspension of non-insulated pipe or insulated pipe with a B3151 shield.

Note: When an oversized clevis is used, a pipe spacer should be placed over the cross bolt to assure that the lower U-strap will not move in on the bolt. When attaching seismic bracing to the clevis hangers, a Fig. 1CBS (cross bolt spacer) must be installed. See Seismic Restraints Approval Guidelines.

Order pipe sleeves Fig. 1CBS-(pipe size) separately.

Approvals: Included in our Seismic Restraints Catalog approved by the State of California Office of Statewide Health Planning and Development (**OSHPD**). For additional load, spacing and placement information relating to OSHPD projects, please refer to the Eaton's Tolco Seismic Restraint Systems Guidelines. Underwriter's Laboratories Listed in the USA (**UL**) and Canada (**cUL**) for sizes 3/4" (20mm) thru 12" (300mm). Factory Mutual Engineering Approved (**FM**) for 3/4" (20mm) thru 12" (300mm) pipe. Conforms to Federal Specification WW-H-171E & A-A-1192A, Type 1 and Manufacturers Standardization Society ANSI/MSS SP-69 & SP-58, Type 1. Also available to accommodate rod schedule per National Fire Protection Association (NFPA) Pamphlet 13.

Maximum temperature: 650°F (343°C).



Standard finish: Plain, Electro-Galvanized, DURA GREEN™, or Hot-Dip Galvanized also available in Stainless Steel

Order by: Part number and finish.

Special note: Do not use the dimensions shown in the B3100 chart for NFPA hanger sizes. Contact customer service for NFPA rod sizing on 1/2" (15mm) thru 12" (300mm) pipe. Part numbers will be 1NFPA-pipe size.

Load values based on safety factor of 3.5

Part No.	E		Adjustment F		Design Load		Approx. Wt./100	
	in	mm	in	mm	Lbs.	kg	Lbs.	kg
B3100-1/2	2 1/2"	63.5	7/16"	11.1	730	331	25	11.3
B3100-3/4	2 1/2"	63.5	1/2"	12.7	730	331	29	13.1
B3100-1	2 1/2"	63.5	5/8"	15.9	730	331	35	15.9
B3100-1 1/4	2 1/2"	63.5	7/8"	22.2	730	331	40	18.1
B3100-1 1/2	2 1/2"	63.5	1 3/16"	30.2	730	331	42	19.0
B3100-2	2 1/2"	63.5	1 5/8"	41.3	730	331	52	23.6
B3100-2 1/2	2 1/2"	63.5	2"	50.8	1350	612	90	40.8
B3100-3	2 1/2"	63.5	2"	50.8	1350	612	110	49.9
B3100-3 1/2	2 1/2"	63.5	2"	50.8	1350	612	142	64.4
B3100-4	2 1/2"	63.5	2"	50.8	1430	648	132	59.9
B3100-5	2 1/2"	63.5	2"	50.8	1430	648	215	97.5
B3100-6	3"	76.2	2"	50.8	1940	880	320	145.1
B3100-8	3 1/2"	76.2	2 5/16"	58.7	2000	906	485	220.0
B3100-10	3 1/2"	76.2	2 5/16"	58.7	3600	1632	846	383.7
B3100-12	3 1/2"	76.2	2 5/8"	66.7	3800	1723	1083	491.2
B3100-14	4"	101.6	2 7/8"	73.0	4200	1904	1432	649.5
B3100-16	4"	101.6	2 11/16"	68.3	4600	2086	2200	997.9
B3100-18	4 1/2"	114.3	3 15/16"	100.0	4800	2176	2500	1134.0
B3100-20	5"	127.0	5 3/8"	136.5	4800	2176	4400	1995.8
B3100-24	5"	127.0	5 3/8"	136.5	4800	2176	5000	2268.0
B3100-30	5"	127.0	6 1/4"	158.7	6000	2721	6600	2993.7
B3100-36	5"	127.0	5 7/16"	138.1	6000	2721	8474	3843.8

M3100 series

M3100 - Standard clevis hanger

Size Range: 1/2" - 36" Nominal Pipe (schedule 40/80);
Intermediate sizes also available

Material: Steel

Function: Recommended for the suspension of
non-insulated or insulated pipe

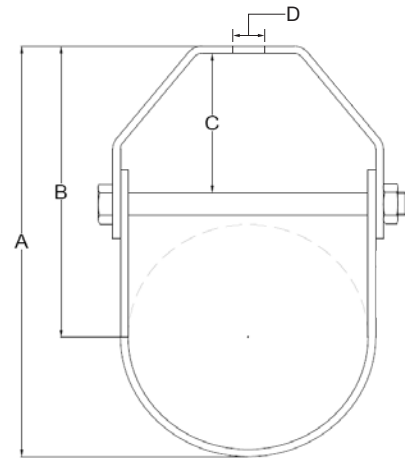
Approvals: Conforms to Manufacturers Standardization
Society ANSI/MSS SP-69 & SP-58, Type 1.

Finish: Zinc plating per ASTM Standard B633 SC3 or
Hot-Dip galvanized after fabrication per ASTM A123

Order by: Part Number, size, & finish

Notes: Full range of sizes available to match outer diameters of Rubber Support
Inserts (RSI), providing a simple and effective support solution for insulated pipes

Load values based on safety factor of 3.5



**For intermediate sizing of pipe and
insulation thickness, see back page.**

Part No.	Nominal Pipe Size	Pipe OD		A	B	C	D	Load- ing kg	Approx. Wt./100	
		in	mm	mm					lbs.	kg
M3100-1/2	1/2"	.84	21	61	48	15	10	200	20	9
M3100-3/4	3/4"	1.05	27	70	55	15	10	200	22	10
M3100-1	1"	1.32	33	79	60	20	10	250	26	12
M3100-1 1/4	1 1/4"	1.66	42	88	65	20	10	250	30	14
M3100-1 1/2	1 1/2"	1.90	48	101	75	25	10	250	34	15
M3100-2	2"	2.38	60	117	85	30	10	250	39	18
M3100-65mm		2.56	65	125	90	30	10	250	42	19
M3100-2 1/2	2 1/2"	2.88	73	145	105	35	12	350	62	28
M3100-77mm		3.03	77	137	95	35	12	350	55	25
M3100-81mm		3.19	81	149	105	35	12	350	60	27
M3100-86mm		3.39	86	153	107	35	12	350	635	288
M3100-3	3"	3.50	89	167	120	45	12	350	72	33
M3100-93mm		3.66	93	170	120	45	12	350	75	34
M3100-99mm		3.90	99	180	127	45	12	350	82	37
M3100-3 1/2	3 1/2"	3.94	100	189	135	45	12	350	93	42
M3100-103mm		4.06	103	190	135	45	12	350	109	49
M3100-107mm		4.21	107	195	138	45	12	350	125	57
M3100-110mm		4.33	110	198	140	45	12	350	141	64
M3100-4	4"	4.50	114	205	145	50	12	500	157	71
M3100-122mm		4.80	122	214	150	50	12	500	173	78
M3100-127mm		5.00	127	221	154	50	12	500	179	81
M3100-137mm		5.39	137	237	165	50	12	500	188	86
M3100-5	5"	5.56	141	249	175	55	16	650	220	100
M3100-149mm		5.87	149	258	180	55	16	650	250	114
M3100-154mm		6.06	154	260	180	55	16	650	280	127
M3100-161mm		6.34	161	269	185	55	16	650	311	141
M3100-6	6"	6.63	168	279	190	55	16	650	341	155
M3100-174mm		6.85	174	285	193	55	16	650	381	173
M3100-179mm		7.05	179	290	195	55	16	650	422	191
M3100-190mm		7.48	190	300	200	55	16	650	462	210
M3100-206mm		8.11	206	318	210	55	16	650	502	228

Part No.	Nominal Pipe Size	Pipe OD		A	B	C	D	Load- ing kg	Approx. Wt./100	
		in	mm	mm					lbs.	kg
M3100-8	8"	8.63	219	340	225	60	20	950	543	246
M3100-233mm		9.17	233	352	230	60	20	950	596	270
M3100-242mm		9.53	242	360	234	60	20	950	649	295
M3100-10	10"	10.75	273	397	255	60	22	1150	703	319
M3100-284mm		11.18	284	402	255	60	22	1150	960	436
M3100-296mm		11.65	296	410	257	60	22	1150	1218	553
M3100-12	12"	12.75	324	453	285	60	22	1700	1476	670
M3100-338mm		13.31	338	460	285	60	22	1700	1625	737
M3100-350mm		13.78	350	481	300	60	22	1700	1773	804
M3100-14	14"	14.00	356	506	320	65	24	1700	1922	872
M3100-374mm		14.72	374	521	326	65	24	1700	2037	924
M3100-388mm		15.28	388	537	335	65	24	1700	2152	976
M3100-400mm		15.75	400	553	345	65	24	1700	2267	1029
M3100-16	16"	16.00	406	559	350	70	24	1950	2382	1081
M3100-421mm		16.57	421	572	355	70	24	1950	2545	1154
M3100-433mm		17.05	433	581	358	70	24	1950	2707	1228
M3100-18	18"	18.00	457	610	375	70	24	2200	2870	1302
M3100-471mm		18.54	471	652	410	100	24	2200	2899	1315
M3100-483mm		19.02	483	663	415	100	24	2200	2928	1328
M3100-507mm		19.96	507	700	440	100	24	2200	2956	1341
M3100-20	20"	20	508	714	450	100	30	2400	3314	1503
M3100-522mm		20.55	522	731	460	100	30	2400	3355	1522
M3100-534mm		21.02	534	741	464	100	30	2400	3373	1530
M3100-561mm		22.09	561	768	477	100	30	2400	3446	1563
M3100-575mm		22.64	575	783	485	100	30	2400	3519	1596
M3100-587mm		23.11	587	794	490	100	30	2400	3576	1622
M3100-24	24"	24	610	820	505	100	30	2700	4200	1905
M3100-611mm		24.06	611	826	510	100	30	2700	5298	2403
M3100-30	30"	30	762	1011	620	125	30	3100	5679	2576
M3100-36	36"	36	914	1197	730	150	30	4500	6748	3061

Fig. 200 - "Trimline" adjustable band hanger

Fig. 200F - "Trimline" adjustable band hanger with felt lining for copper tubing

Fig. 200C - "Trimline" adjustable band hanger with plastic coated

Fig. 200S - "Trimline" adjustable band hanger with removable nut (For sizes 1" thru 2")

Size range:

Fig. 200 - 1/2" (15mm) thru 8" (200mm) pipe

Material: Steel, Pre-Galvanized to G90 specifications

Function: For fire sprinkler and other general piping purposes. Knurled swivel nut design permits hanger adjustment after installation.

Features:

- 1/2" (15mm) thru 2" (50mm) sizes have flared edges for ease of installation on all pipe types and protects CPVC plastic pipe from abrasion. Captured knurled nut design (flared top) on 1" thru 2" sizes keep nut from separating with hanger. Hanger is easily installed around pipe.
- 1/2" (15mm), 3/4" (20mm), and 2 1/2" (65mm) thru 8" (200mm) Spring tension on nut holds it securely in hanger before installation. Knurled nut is easily removed.
- For 1/2" (15mm) and 3/4" (20mm) sizes with non-captured knurl nuts order Fig. 200S

Approvals: Underwriters Laboratories listed (1/2" (15mm) thru 8" (200mm)) in the USA (**UL**) and Canada (**cUL**) for steel and CPVC plastic pipe and Factory Mutual Engineering Approved (3/4" (20mm) thru 8" (200mm)). Conforms to Federal Specifications WW-H-171E & A-A-1192A, Type 10 and Manufacturers Standardization Society ANSI/MSS SP-69 & SP-58, Type 10.

Maximum temperature: 650°F (343°C)

Finish: Pre-Galvanized. Stainless Steel materials will be supplied with (2) hex nuts in place of a knurl nut.

Order by: Part number and pipe size

Note: For metric hanger rod sizes add the metric rod size to the figure number.

Example: 200M8-1 1/2 or 200M10-1 1/2

Load values based on safety factor of 3.5

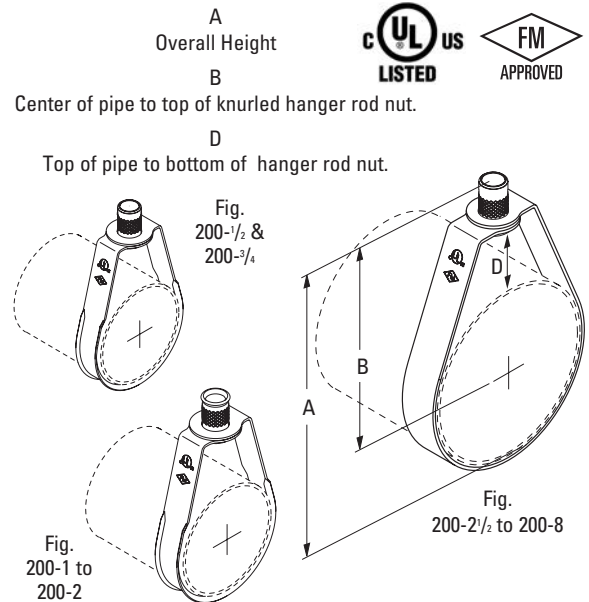


Fig. 200C
200C-1 1/2 shown



Fig. 200F
200F-1 1/2 shown



Fig. 200
shown with captured nut
1" thru 2" sizes only



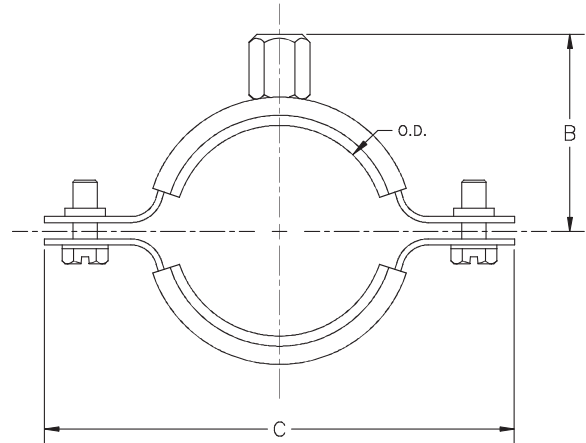
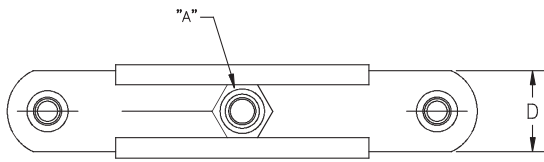
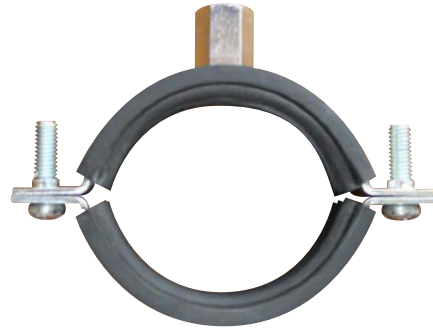
Fig. 200 & Fig. 200S
shown with
non-captured nut

Part No.**	Nominal Pipe Size		Rod Size		A		B		D		Max. Rec. Load		Approx. Wt./100	
	in.	mm	in	mm**	in	mm	in	mm	in	mm	lbs.	kg	lbs.	kg
200-1/2	1/2"	15	3/8"-16	M8 or M10	3 1/8"	79.4	2 5/8"	66.7	1 11/32"	34.1	400	181	11	5.0
200-3/4	3/4"	20	3/8"-16	M8 or M10	3 1/8"	79.4	2 1/2"	63.5	1 1/16"	27.0	400	181	11	5.0
200-1	1"	25	3/8"-16	M8 or M10	3 3/8"	85.7	2 5/8"	66.7	1 1/8"	28.6	400	181	12	5.5
200-1/4	1 1/4"	32	3/8"-16	M8 or M10	3 3/4"	94.0	2 7/8"	73.0	1 5/32"	29.3	400	181	13	5.9
200-1/2	1 1/2"	40	3/8"-16	M8 or M10	3 7/8"	98.4	2 7/8"	73.0	1 3/16"	30.2	400	181	14	6.4
200-2	2"	50	3/8"-16	M8 or M10	4 1/2"	114.3	3"	76.3	1 3/16"	30.2	400	181	15	6.9
200-2 1/2	2 1/2"	65	3/8"-16	M10	5 5/8"	142.9	4 1/8"	104.7	1 7/16"	36.5	600	272	27	12.3
200-3	3"	75	3/8"-16	M10	5 7/8"	149.1	4"	101.6	1 1/4"	31.7	600	272	29	13.3
200-3 1/2	3 1/2"	90	3/8"-16	M10	7 3/8"	187.3	5 1/4"	133.3	2 3/16"	55.6	600	272	34	15.6
200-4	4"	100	3/8"-16	M10	7 3/8"	187.3	5"	127.0	1 3/8"	34.9	1000	454	35	16.0
200-5	5"	125	1/2"-13	M12	9 1/8"	231.8	6 1/4"	158.7	3 11/32"	84.9	1250	567	66	30.2
200-6	6"	150	1/2"-13	M12	10 1/8"	257.2	6 3/4"	171.4	2 7/32"	56.3	1250	567	73	33.4
200-8	8"	200	1/2"-13	M12	13 1/8"	333.4	8 3/4"	222.2	3 7/32"	81.7	1250	567	136	62.3

Rubber lined split clamps

Rubber lined split clamp

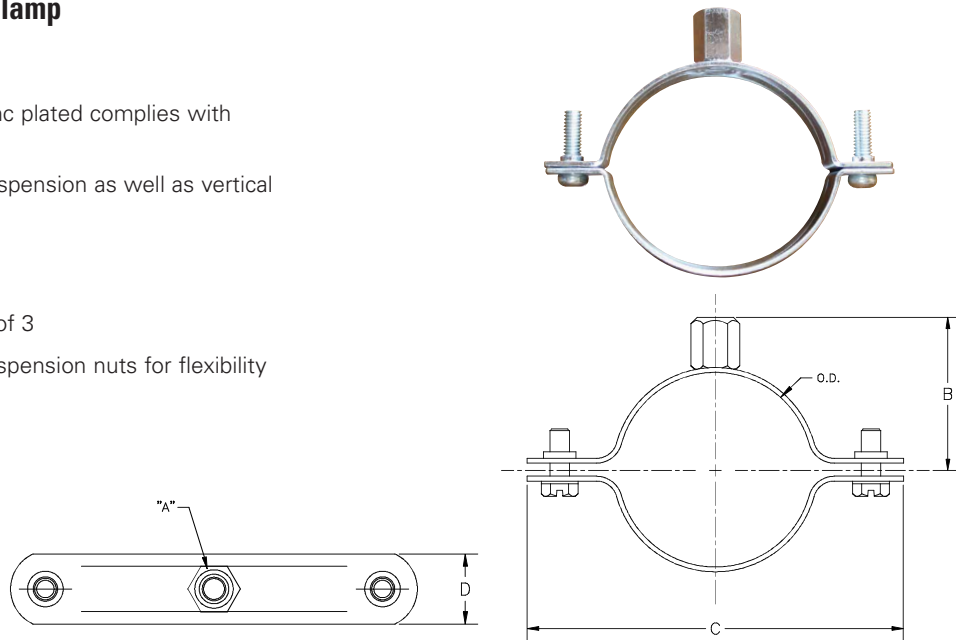
- **Size range:** 3/8" - 8"
- **Standard finish:** electro-zinc plated complies with ASTM B633
- **Function:** design for suppressing vibration and sound
- **"A" bolt thread size:**
M8 & M10 for all part #'s
- **Note:** twin threads with suspension nuts for flexibility
M8 & M10
- **Design load:** safety factor of 3



Part No.	Dimensions (mm)			Pipe OD (mm)		Steel Nom (OD)	Copper Nom (OD)	UPVC/PE	Cast Iron Nom (OD)	Rubber (mm)	Locking Screw	Min Torque	Design Load (kg)
	B	C	D	min	max								
812-12-14	28	53	20	12	14	3/8" (14)	--	--	--	20x3.5	M6/16	70	112
812-15-19	30	58	20	15	19	--	15, 18	16	--	20x3.5	M6/16	70	112
812-20-23	33	62	20	20	23	1/2" (22)	22	20	--	20x3.5	M6/16	70	112
812-26-28	35	69	20	26	28	3/4" (27)	28	--	--	20x3.5	M6/16	70	112
812-32-35	39	76	20	32	35	1" (34)	35	32	--	20x3.5	M6/16	70	112
812-40-43	42	83	20	40	43	1 1/4" (42)	42	40, 43	--	20x3.5	M6/20	70	112
812-44-49	45	90	20	44	49	1 1/2" (48)	--	45	1 1/2"	20x3.5	M6/20	70	112
812-50-56	51	103	20	50	56	--	54	54	--	20x4.5	M6/20	80	122
812-57-61	54	109	20	57	61	2" (60)	--	60	2"	20x4.5	M6/20	80	122
812-63-67	56	114	20	63	67	--	64, 67	--	--	20x4.5	M6/20	80	122
812-70-73	60	120	20	70	73	2 1/2" (73)	70	70	--	20x4.5	M6/20	80	122
812-74-80	63	127	20	74	80	--	76, 80	75	--	20x4.5	M6/20	80	122
812-83-91	69	138	20	83	91	3" (89)	--	83, 90	3"	20x4.5	M6/20	100	122
812-101-106	78	161	20	101	106	3 1/2" (102)	102, 105	102	--	20x5.5	M8/25	100	153
812-108-114	82	168	20	108	114	4" (114)	108	110	4"	20x5.5	M8/25	100	153
812-125	87	179	25	125	125	--	125	125	--	20x5.5	M8/25	100	214
812-131-135	93	190	25	131	135	--	133	135	--	20x5.5	M8/25	100	214
812-136-139	95	194	25	136	139	--	--	--	--	20x5.5	M8/25	100	214
812-140-144	97	199	25	140	144	5" (141)	--	140	5"	20x5.5	M8/25	100	214
812-159-163	106	217	25	159	163	--	159	160	--	20x5.5	M8/25	100	214
812-165-169	109	227	25	165	169	6" (168)	168	168	6"	20x5.5	M8/25	100	214
812-215-220	134	273	25	215	220	8" (219)	--	220	8"	20x5.5	M8/25	100	214
812-224-235	142	288	25	224	235	--	--	225	--	20x5.5	M8/25	100	214

Non-rubber lined split clamp

- **Size range:** $\frac{3}{8}$ " - 8"
- **Standard finish:** electro-zinc plated complies with ASTM B633
- **Function:** use as ceiling suspension as well as vertical piping wall mounting
- **"A" bolt thread size:**
M8 & M10 for all part #'s
- **Design load:** safety factor of 3
- **Note:** twin threads with suspension nuts for flexibility
M8 & M10



Part No.	Dimension (mm)			Pipe OD (mm)		Steel Nom (OD)	Copper Nom (OD)	UPVC/PE	Cast Iron Nom (OD)	Locking Screw	Min. Torque	Design Load (kg)
	B	C	D	min	max							
821-12-14	25	47	20	12	14	$\frac{3}{8}$ " (14)	--	--	--	M6x16	80	112
821-15-18	27	51	20	15	18	--	15	--	--	M6x16	80	112
821-18-23	30	56	20	18	23	$\frac{1}{2}$ " (22)	22	20	--	M6x16	80	112
821-26-31	34	64	20	26	31	$\frac{3}{4}$ " (27)	28	--	--	M6x16	80	112
821-32-35	37	70	20	32	35	1" (34)	35	32	--	M6x16	80	112
821-38-43	41	78	20	38	43	$1\frac{1}{4}$ " (42)	42	38, 40, 43	--	M6x20	80	112
821-44-46	42	80	20	44	46	--	--	45	--	M6x20	80	112
821-47-51	45	86	20	47	51	$1\frac{1}{2}$ " (48)	--	--	$1\frac{1}{2}$ " (48)	M6x20	80	112
821-50-56	47	92	20	50	56	--	54	54	--	M6x20	80	122
821-57-61	49	97	20	57	61	2" (60)	--	60	2" (60)	M6x20	80	122
821-63-67	52	103	20	63	67	--	64, 67	--	--	M6x20	80	122
821-70-73	56	113	20	70	73	$2\frac{1}{2}$ " (73)	70	70	--	M6x20	80	122
821-74-77	59	118	20	74	77	--	76	75	--	M6x20	80	122
821-78-80	60	119	20	78	80	--	80	--	--	M6x20	80	122
821-83-91	64	127	20	83	91	3" (89)	--	83, 90	3" (89)	M6x20	80	122
821-101-106	72	149	25	101	106	$3\frac{1}{2}$ " (102)	102, 105	102	--	M8x25	100	214
821-108-114	76	158	25	108	114	4" (114)	108	110	4" (114)	M8x25	100	214
821-118-125	82	169	25	118	125	--	125	125		M8x25	100	214
821-131-135	87	179	25	131	135	--	133	134	--	M8x25	100	214
821-136-139	88	182	25	136	139	--	--	--	--	M8x25	100	214
821-140-144	91	188	25	140	144	5" (141)	--	140	5" (140)	M8x25	100	214
821-159-163	101	203	25	159	163	--	159	160	--	M8x25	100	214
821-165-169	104	213	25	165	169	6" (168)	168	168	6" (165)	M8x25	100	214
821-199-212	125	256	25	199	212	--	--	--	--	M8x25	100	214
821-215-220	129	264	25	215	220	8" (219)	--	220	8" (219)	M8x25	100	214
821-224-235	137	279	25	224	235	--	--	225	--	M8x25	100	214

B3373 series

B3373 - Standard riser clamp

B3373F - Felt lined standard riser clamp for copper tubing

B3373C - PVC Coated standard riser clamp

Size range: (B3373) 1/2" (15mm) thru 30" (760mm) pipe
 (B3373F) 1/2" (15mm) thru 2 1/2" (65mm) copper tubing
 (B3373C) 1/2" (15mm) thru 6" (150mm) pipe

Material: Steel

Insulation material: (B3373F) 1/8" (3.2mm) thick felt.

Function: Used for supporting vertical piping.

Approvals: Underwriters Laboratories Listed in the USA (UL), Canada (cUL) 3/4" (20mm) - 8" (200mm).

Factory Mutual Engineering Approved (FM) for plain and electro-Galvanized zinc, 3/4" (20mm) thru 8" (200mm). Conforms to Federal Specification WW-H-171E & A-A-1192A, Type 8 and Manufacturers Standardization Society ANSI/MSS SP-69 & SP-58, Type 8.

Maximum temperature: 650°F (343°C)

Finish: Plain. Contact customer service for alternative finishes and materials.

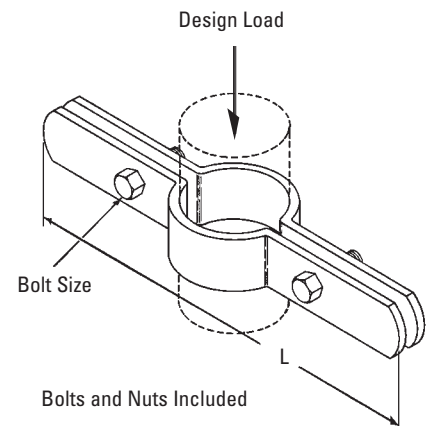
Order by:

(B3373 and B3373C) pipe size and finish.

B3373F is available for Iron Pipe Size, consult factory.

Load values based on safety factor of 3.5

Load values shown are for standard B3373 only.



Part No.	Pipe Size		L		Bolt Size	Design Load		Approx. Wt./100	
	in	mm	in	mm		lbs	kg	lbs	kg
B3373-1/2	1/2"	15	9"	228.6	3/8" -16x1 1/4"	255	115	101	45.9
B3373-3/4	3/4"	20	9 1/4"	234.9	3/8" -16x1 1/4"	255	115	105	47.7
B3373-1	1"	25	9 9/16"	242.9	3/8" -16x1 1/4"	255	115	109	49.4
B3373-1 1/4	1 1/4"	32	10"	254.0	3/8" -16x1 1/4"	255	115	112	50.9
B3373-1 1/2	1 1/2"	40	10 1/4"	260.3	3/8" -16x1 1/2"	255	115	113	51.1
B3373-2	2"	50	10 3/4"	273.0	3/8" -16x1 1/2"	255	115	165	75.0
B3373-2 1/2	2 1/2"	65	11 1/4"	285.7	3/8" -16x1 1/2"	390	176	180	81.6
B3373-3	3"	80	11 15/16"	303.2	3/8" -16x1 1/2"	530	240	195	88.4
B3373-3 1/2	3 1/2"	90	12 3/8"	314.3	3/8" -13x1 3/4"	670	304	217	98.5
B3373-4	4"	100	12 7/8"	327.0	3/8" -13x1 3/4"	810	367	228	103.5
B3373-5	5"	125	14"	355.6	3/8" -13x1 3/4"	1160	526	480	217.7
B3373-6	6"	150	15 3/16"	385.8	1/2" -13x2"	1570	712	526	238.6
B3373-8	8"	200	17 3/4"	450.8	5/8" -11x2 1/2"	2500	1134	957	434.1
B3373-10	10"	250	19 7/16"	493.7	5/8" -11x2 1/2"	2500	1134	1101	499.4
B3373-12	12"	300	21 11/16"	550.9	5/8" -11x3"	2700	1224	1622	735.7
B3373-14	14"	350	23 9/16"	598.5	5/8" -11x3"	2700	1224	1732	785.6
B3373-16	16"	400	26 3/8"	669.9	3/4" -10x3 1/4"	2900	1315	2959	1342.2
B3373-18	18"	450	28 7/8"	733.4	3/4" -10x3 1/4"	2900	1315	3235	1467.4
B3373-20	20"	500	30 7/8"	784.2	3/4" -10x3 1/2"	2900	1315	3568	1618.4
B3373-24	24"	600	34 7/8"	885.8	3/4" -10x3 1/4"	2900	1315	4064	1843.3
B3373-30	30"	750	40 3/4"	1035.0	7/8" -9x3 1/2"	2900	1315	6016	2728.8

Notes: For ductile iron (D.I.) pipe use part number B3373DI- pipe size. Contact us Engineering for more information.

M3373 - Riser clamp

Size range: 1/2" - 30" Nominal Pipe (schedule 40/80)

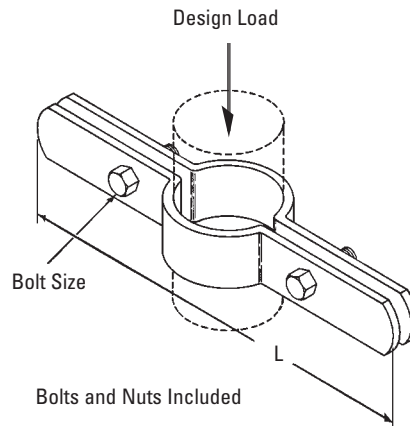
Function: Used for supporting vertical piping

Approvals: Conforms to Manufacturers Standardization Society ANSI/MSS SP-69 & SP-58, Type 8.

Finish: Zinc plating per ASTM Standard B633 SC3 or Hot-Dip galvanized after fabrication per ASTM A123

Order by: Part Number, size, & finish

Load values based on safety factor of 3.5



Part No.	Pipe Size		Length mm	Strip Width mm	Strip Thickness mm	Bolt Size in	Loading		Approx. Wt./100	
	in	mm					kg	lbs	kg	
M3373-1/2	0.84	21	200	25	5	3/8"	80	104	47	
M3373-3/4	1.05	27	210	25	5	3/8"	90	108	49	
M3373-1	1.32	33	230	25	5	3/8"	90	117	53	
M3373-1 1/4	1.66	42	260	25	5	3/8"	90	130	59	
M3373-1 1/2	1.90	48	260	25	5	3/8"	90	132	60	
M3373-2	2.38	60	260	25	6	7/16"	135	161	73	
M3373-2 1/2	2.88	73	290	25	6	7/16"	200	181	82	
M3373-3	3.50	89	290	25	6	7/16"	250	187	85	
M3373-3 1/2	4.00	102	330	25	6	1/2"	315	209	95	
M3373-4	4.50	114	330	38	6	1/2"	350	311	141	
M3373-5	5.56	141	350	38	6	1/2"	450	362	164	
M3373-6	6.63	168	380	38	6	1/2"	450	395	179	
M3373-8	8.63	219	470	38	10	5/8"	550	778	353	
M3373-10	10.75	273	520	50	10	5/8"	950	1142	518	
M3373-12	12.75	324	580	50	12	5/8"	1100	1594	723	
M3373-14	14"	356	610	50	12	5/8"	1200	1682	763	
M3373-16	16"	406	660	60	16	3/4"	1200	2877	1305	
M3373-18	18"	457	710	60	16	3/4"	1200	3142	1425	
M3373-20	20"	508	760	60	16	3/4"	1250	3408	1546	
M3373-24	24"	610	880	60	16	3/4"	1250	3909	1773	
M3373-30	30"	762	1040	60	16	3/4"	1250	4740	2150	

M2400 series

M2400 - Pipe strap

Size range: ½" – 36" Nominal Pipe (schedule 40/80); Intermediate sizes also available

Function: Recommended for clamping plain or insulated pipes to structural channel supports such as trapeze hangers, floor stands or wall brackets

Material: Steel

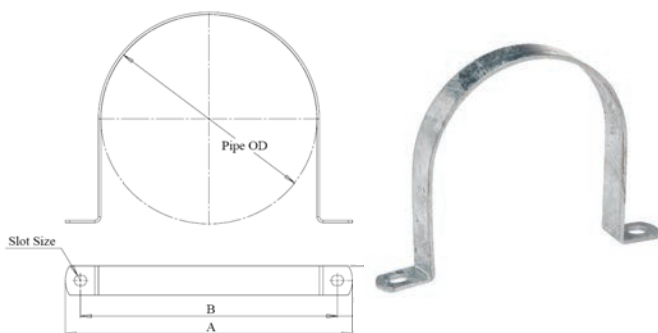
Finish: Zinc plating per ASTM Standard B633 SC3 or Hot-Dip galvanized after fabrication per ASTM A123

Approvals: Conforms to Manufacturers Standardization Society ANSI/MSS SP-69 & SP-58, Type 26.

Order by: Part Number, size, & finish

Note: Full range of sizes available to match outer diameters of Rubber Support Inserts (RSI), providing a simple and effective support solution for insulated pipes

Load values based on safety factor of 3.5



For intermediate sizing of pipe and insulation thickness, see back page.

Part No.	Pipe Size	OD mm	Width mm	Thick- ness mm	Slot Size mm	A mm	B mm	Load- ing		Approx. Wt./100	
								kg	lbs	kg	lbs
M2400-5	5"	141	25	3	14x11	213	183	525	56	25	56
M2400-149mm		149	25	3	14x11	220	190	525	60	27	60
M2400-154mm		154	25	3	14x11	225	195	525	62	28	62
M2400-161mm		161	25	3	14x11	232	202	525	62	28	62
M2400-6	6"	168	25	3	14x11	240	210	525	64	29	64
M2400-174mm		174	25	3	14x11	246	216	525	66	30	66
M2400-179mm		179	25	3	14x11	251	221	525	66	30	66
M2400-190mm		190	38	3	16x13	262	232	525	108	49	108
M2400-206mm		206	38	3	16x13	278	248	525	115	52	115
M2400-8	8"	219	38	3	16x13	288	258	600	122	55	122
M2400-233mm		233	38	3	16x13	302	272	600	132	60	132
M2400-242mm		242	38	4	16x13	311	281	600	185	84	185
M2400-10	10"	273	38	4	16x13	368	328	1500	204	92	204
M2400-284mm		284	38	4	16x13	389	349	1500	212	96	212
M2400-296mm		296	38	4	16x13	402	362	1500	218	99	218
M2400-12	12"	324	38	4	16x13	430	390	1500	237	107	237
M2400-338mm		338	38	4	16x13	444	404	1500	247	112	247
M2400-350mm		350	38	4	16x13	455	415	1500	251	114	251
M2400-14	14"	356	50	4	16x13	473	423	1500	356	161	356
M2400-374mm		374	50	4	20x17	492	442	1500	368	167	368
M2400-388mm		388	50	4	20x17	506	456	1500	375	170	375
M2400-400mm		400	50	4	20x17	518	468	1500	403	183	403
M2400-16	16"	406	50	4	20x17	524	474	1500	403	183	403
M2400-421mm		421	50	4	20x17	539	489	1500	406	184	406
M2400-433mm		433	50	4	20x17	550	500	1500	408	185	408
M2400-18	18"	457	50	5	20x17	574	524	1500	540	245	540
M2400-471mm		471	50	5	20x17	590	540	1500	567	257	567
M2400-483mm		483	50	5	20x17	600	550	1500	584	265	584
M2400-507mm		507	50	5	20x17	618	568	1500	595	270	595
M2400-20	20"	508	50	5	20x17	624	574	1650	616	279	616
M2400-522mm		522	50	5	20x17	640	590	1650	624	283	624
M2400-534mm		534	50	5	20x17	652	602	1650	642	291	642
M2400-561mm		561	50	5	20x17	681	631	1650	664	301	664
M2400-575mm		575	50	5	20x17	695	645	1650	681	309	681
M2400-587mm		587	50	5	20x17	702	652	1650	701	318	701
M2400-24	24"	610	50	6	20x17	726	676	1650	728	330	728
M2400-611mm		611	50	6	20x17	727	677	1650	858	389	858
M2400-30	30"	762	50	6	20x17	876	826	1650	897	407	897
M2400-36	36"	914	50	6	20x17	1030	980	1650	1070	485	1070

Part No.	Pipe Size	OD mm	Width mm	Thick- ness mm	Slot Size mm	A mm	B mm	Load- ing		Approx. Wt./100	
								kg	lbs	kg	lbs
M2400-½"	½"	21	25	2	Ø 9	79	54	150	9	4	9
M2400-¾"	¾"	27	25	2	Ø 9	85	60	150	11	5	11
M2400-1"	1"	33	25	2	Ø 9	92	67	150	12	6	12
M2400-1¼"	1 ¼"	42	25	2	Ø 9	99	74	150	14	6	14
M2400-1½"	1 ½"	48	25	2	Ø 9	106	81	335	15	7	15
M2400-2"	2"	60	25	2	Ø 9	118	93	335	18	8	18
M2400-65mm		65	25	2	Ø 9	118	98	335	20	9	20
M2400-2½"	2 ½"	73	25	3	14x11	146	116	335	33	15	33
M2400-77mm		77	25	3	14x11	147	117	335	34	15	34
M2400-81mm		81	25	3	14x11	151	121	335	35	16	35
M2400-86mm		86	25	3	14x11	156	126	335	37	17	37
M2400-3"	3"	89	25	3	14x11	160	130	525	38	17	38
M2400-94mm		93	25	3	14x11	163	133	525	40	18	40
M2400-100mm		99	25	3	14x11	170	140	525	42	19	42
M2400-3½"	3 ½"	102	25	3	14x11	172	142	525	42	19	42
M2400-103mm		103	25	3	14x11	175	145	525	44	20	44
M2400-107mm		107	25	3	14x11	180	150	525	46	21	46
M2400-110mm		110	25	3	14x11	183	153	525	46	21	46
M2400-4"	4"	114	25	3	14x11	187	157	525	48	22	48
M2400-120mm		122	25	3	14x11	196	166	525	49	22	49
M2400-126mm		127	25	3	14x11	201	171	525	51	23	51
M2400-137mm		137	25	3	14x11	209	179	525	55	25	55

M3188 - U-Bolt

Size range: ½" – 36" Nominal Pipe (schedule 40/80); Intermediate sizes also available

Function: recommended to grip, guide or support plain or insulated pipes

Material: Steel

Finish: Zinc plating per ASTM Standard B633 SC3 or Hot-Dip galvanized after fabrication per ASTM A123

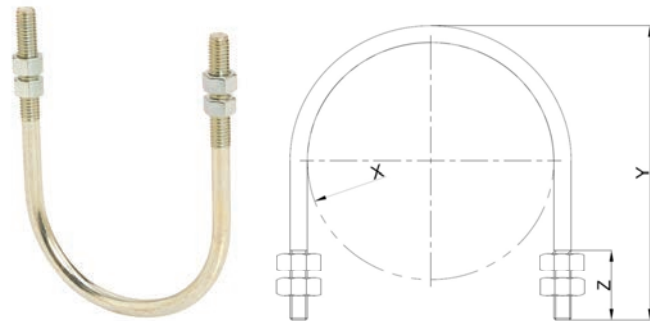
Approvals: Conforms to Manufacturers Standardization Society ANSI/MSS SP-69 & SP-58, Type 24.

Order by: Part number, size, & finish

Notes:

- Provided with 4 hex nuts
- Full range of sizes available to match outer diameters of Rubber Support Inserts (RSI), providing a simple and effective support solution for insulated pipes

Load values based on safety factor of 3.5



For intermediate sizing of pipe and insulation thickness, see back page.

Part no.	Nominal pipe size	OD		X	Y	Z	Rod dia.	Loading		Approx. Wt./100	
		in	mm					kg	lbs	kg	lbs
M3188-½"	½"	0.84	21	21	42	25	M6	200	5	2	
M3188-¾"	¾"	1.05	27	27	48	25	M6	200	6	3	
M3188-1"	1"	1.32	33	33	54	25	M6	200	6	3	
M3188-1 ¼"	1 ¼"	1.66	42	42	62	25	M6	200	7	3	
M3188-1 ½"	1 ½"	1.90	48	48	75	35	M8	450	16	7	
M3188-2"	2"	2.38	60	60	87	35	M8	450	19	9	
M3188-65mm		2.56	65	65	96	35	M8	450	20	9	
M3188-2 ½"	2 ½"	2.88	73	73	103	35	M8	450	22	10	
M3188-77mm		3.03	77	77	108	35	M8	450	23	11	
M3188-81mm		3.19	81	81	112	35	M8	450	24	11	
M3188-86mm		3.39	86	86	117	35	M8	450	35	16	
M3188-3"	3"	3.50	89	89	122	45	M10	700	41	19	
M3188-93mm		3.66	93	93	131	45	M10	700	43	19	
M3188-99mm		3.90	99	99	135	45	M10	700	43	20	
M3188-3 ½"	3 ½"	4.00	102	102	135	45	M10	700	44	20	
M3188-103mm		4.06	103	103	141	45	M10	700	44	20	
M3188-107mm		4.21	107	107	145	45	M10	700	45	20	
M3188-110mm		4.33	110	110	148	45	M10	700	47	22	
M3188-4"	4"	4.50	114	114	148	45	M10	700	50	23	
M3188-122mm		4.80	122	122	160	45	M10	700	51	23	
M3188-127mm		5.00	127	127	165	45	M10	700	53	24	
M3188-137mm		5.39	137	137	175	45	M10	700	73	33	
M3188-5"	5"	5.56	141	141	180	50	M12	1050	88	40	
M3188-149mm		5.87	149	149	195	50	M12	1050	90	41	
M3188-154mm		6.06	154	154	200	50	M12	1050	92	42	
M3188-161mm		6.34	161	161	205	50	M12	1050	95	43	
M3188-6"	6"	6.63	168	168	205	50	M12	1050	101	46	
M3188-174mm		6.85	174	174	220	50	M12	1050	101	46	
M3188-179mm		7.05	179	179	225	50	M12	1050	101	46	
M3188-190mm		7.48	190	190	236	50	M12	1050	102	46	
M3188-206mm		8.11	206	206	252	50	M12	1050	104	47	

Part no.	Nominal pipe size	OD		X	Y	Z	Rod dia.	Loading		Approx. Wt./100	
		in	mm					kg	lbs	kg	lbs
M3188-8"	8"	8.63	219	219	260	50	M12	1050	128	58	
M3188-233mm		9.17	233	233	279	50	M12	1050	130	59	
M3188-242mm		9.53	242	242	288	50	M12	1050	138	63	
M3188-10"	10"	10.75	273	273	324	70	M16	2000	284	129	
M3188-284mm		11.18	284	284	342	70	M16	2000	295	134	
M3188-296mm		11.65	296	296	354	70	M16	2000	307	139	
M3188-12"	12"	12.75	324	324	375	70	M16	2000	319	145	
M3188-338mm		13.31	338	338	396	70	M16	2000	330	150	
M3188-350mm		13.78	350	350	400	70	M16	2000	342	155	
M3188-14"	14"	14.00	356	356	407	70	M16	2000	354	160	
M3188-374mm		14.72	374	374	432	70	M16	2000	365	166	
M3188-388mm		15.28	388	388	446	70	M16	2000	377	171	
M3188-400mm		15.75	400	400	458	70	M16	2000	389	176	
M3188-16"	16"	16.00	406	406	458	70	M16	2000	400	182	
M3188-421mm		16.57	421	421	479	70	M16	2000	412	187	
M3188-433mm		17.05	433	433	491	70	M16	2000	456	207	
M3188-18"	18"	18.00	457	457	522	85	M20	3000	500	227	
M3188-471mm		18.54	471	471	546	85	M20	3000	544	247	
M3188-483mm		19.02	483	483	558	85	M20	3000	588	267	
M3188-507mm		19.96	507	507	573	85	M20	3000	631	286	
M3188-20"	20"	20.00	508	508	573	85	M20	3000	675	306	
M3188-522mm		20.55	522	522	597	85	M20	3000	719	326	
M3188-534mm		21.02	534	534	609	85	M20	3000	763	346	
M3188-561mm		22.09	561	561	636	85	M20	3000	807	366	
M3188-575mm		22.64	575	575	650	85	M20	3000	849	385	
M3188-587mm		23.11	587	587	662	85	M20	3000	895	406	
M3188-24"	24"	24.00	610	610	675	85	M20	3000	939	426	
M3188-611mm		24.06	611	611	686	85	M20	3000	945	429	
M3188-30"	30"	30.00	762	762	840	100	M24	4500	1685	764	
M3188-36"	36"	36.00	914	914	995	100	M24	4500	2023	917	

Insulation protection shield

Selection tables for: B3151 Insulation Protection Shield

B3153 Insulation Protection Shield with 'Loc' Tabs

B3154 Short Insulation Protection Shield

B3155 Short Insulation Protection Shield with 'Loc' Tabs

Nominal pipe or tubing size		Insulation thickness							
in.	(mm)	1/2" (12.7mm)	3/4" (19.0mm)	1" (25.4mm)	1 1/2" (38.1mm)	2" (50.8mm)	2 1/2" (63.5mm)	3" (76.2mm)	4" (101.6mm)
1/2"	(15)	1X	2X	3X	5X	7X	--	--	--
3/4"	(20)	2X	3X	3X	5X	7X	--	--	--
1"	(25)	2X	3X	4X	6X	8X	--	--	--
1 1/4"	(32)	3X	4X	4X	7X	8X	--	--	--
1 1/2"	(40)	3X	4X	5X	7X	9X	--	--	--
2"	(50)	4X	5X	6X	8X	9X	10X*	11X*	--
2 1/2"	(65)	5X	6X	7X	9X	10X*	11X*	11X*	13Y*
3"	(80)	6X	7X	8X	9X	10X*	11X*	12Y*	14Z
3 1/2"	(90)	7X	8X	9X	10X*	11X*	12Y*	13Y*	15Z
4"	(100)	8X	9X	9X	10X*	11X*	12Y*	13Y*	15Z
5"	(125)	--	--	10Y*	11Y*	12Y*	13Y*	14Z	16Z
6"	(150)	--	--	11Y*	12Y*	13Y*	14Z	15Z	17Z
8"	(200)	--	--	13Y*	14Z	15Z	16Z	17Z	19Z
10"	(250)	--	--	15Z	16Z	17Z	18Z	19Z	21Z
12"	(300)	--	--	17Z	18Z	19Z	20Z	21Z	23Z
14"	(350)	--	--	18Z	19Z	20Z	21Z	22Z	24Z
16"	(400)	--	--	20Z	21Z	22Z	23Z	24Z	26Z
18"	(450)	--	--	22Z	23Z	24Z	25Z	26Z	28Z
20"	(500)	--	--	24Z	25Z	26Z	27Z	28Z	30Z
24"	(600)	--	--	28Z	29Z	30Z	31Z	32Z	33Z

*When selecting B3154 or B3155, replace 'X' or 'Y' designation with 'Z'.

Nominal pipe or tubing size		Insulation thickness							
in.	(mm)	1/2" (12.7mm)	3/4" (19.0mm)	1" (25.4mm)	1 1/2" (38.1mm)	2" (50.8mm)	2 1/2" (63.5mm)	3" (76.2mm)	4" (101.6mm)
1/2"	(15)	1 1/2	2	2 1/2	3 1/2	5	--	--	--
3/4"	(20)	2	2 1/2	2 1/2	3 1/2	5	--	--	--
1"	(25)	2	2 1/2	3	4	5	--	--	--
1 1/4"	(32)	2 1/2	3	3	5	5	--	--	--
1 1/2"	(40)	2 1/2	3	3 1/2	5	6	--	--	--
2"	(50)	3	3 1/2	4	5	6	8	8	--
2 1/2"	(65)	3 1/2	4	5	6	8	8	10	10
3"	(80)	4	5	5	6	8	8	10	12
3 1/2"	(90)	5	5	6	8	8	10	10	12
4"	(100)	5	6	6	8	8	10	10	12
5"	(125)	--	--	8	8	10	10	12	14
6"	(150)	--	--	8	10	10	12	12	16
8"	(200)	--	--	10	12	12	14	16	18
10"	(250)	--	--	12	14	16	16	18	20
12"	(300)	--	--	14	16	18	18	20	22
14"	(350)	--	--	16	18	18	20	20	22
16"	(400)	--	--	18	20	20	22	22	24
18"	(450)	--	--	20	22	22	24	24	26
20"	(500)	--	--	22	24	24	26	26	28
24"	(600)	--	--	26	28	28	30	30	32

B3151 - Insulation protection shield

B3153 - Insulation protection shield with "loc" tabs

Material: Steel (Stainless steel available)

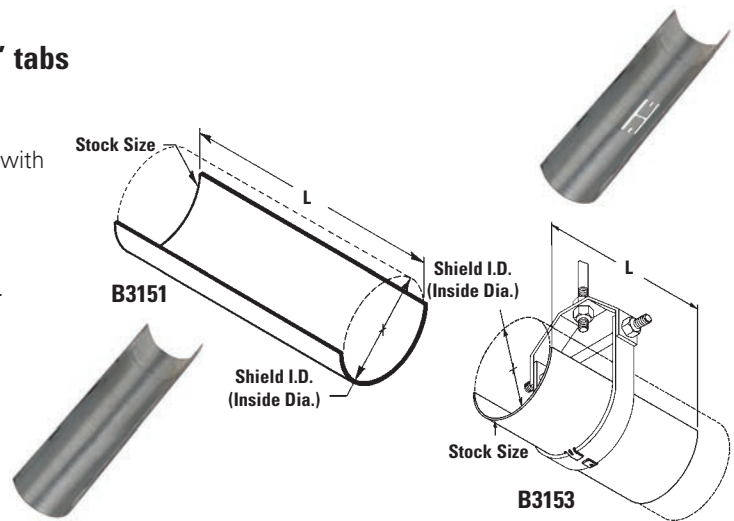
Function: Designed to protect pipe insulation when used with hangers.

Approvals: Complies with Federal Specification WW-H-171E & A-A-1192A Type 41 and Manufacturers Standardization Society ANSI/MSS SP-69 & SP-58 Type 40.

Finish: Pre-Galvanized (ASTM A653 G90)

Order by: Part number and finish.

Note: See Selection Tables on page 12 for proper sizing.



B3153 same dimension as B3151, but with bottom tabs for centering and securing the shield to hanger.

Part no.	Part no.	Stock size		L		Shield 'I.D.'		Approx. Wt./100		Pipe hanger size	
		in.	(mm)	in.	(mm)	in.	(mm)	Lbs.	(kg)	in.	(mm)
B3151-1X	B3153-1X	18 Ga.	(1.2)	12"	(304.8)	1.90	(48.2)	50	(22.7)	1 1/2"	(40)
B3151-2X	B3153-2X	18 Ga.	(1.2)	12"	(304.8)	2.38	(60.4)	62	(28.1)	2"	(50)
B3151-3X	B3153-3X	18 Ga.	(1.2)	12"	(304.8)	2.88	(73.1)	75	(34.0)	2 1/2"	(65)
B3151-4X	B3153-4X	18 Ga.	(1.2)	12"	(304.8)	3.50	(88.9)	92	(41.7)	3"	(80)
B3151-5X	B3153-5X	18 Ga.	(1.2)	12"	(304.8)	4.00	(101.6)	104	(47.2)	3 1/2"	(90)
B3151-6X	B3153-6X	18 Ga.	(1.2)	12"	(304.8)	4.50	(114.3)	118	(53.5)	4"	(100)
B3151-7X	B3153-7X	18 Ga.	(1.2)	12"	(304.8)	5.00	(127.0)	129	(58.5)	5"	(125)
B3151-8X	B3153-8X	18 Ga.	(1.2)	12"	(304.8)	5.56	(141.2)	147	(66.7)	5"	(125)
B3151-9X	B3153-9X	16 Ga.	(1.5)	12"	(304.8)	6.64	(168.6)	219	(99.3)	6"	(150)
B3151-10X	B3153-10X	16 Ga.	(1.5)	12"	(304.8)	7.64	(194.0)	253	(114.7)	8"	(200)
B3151-11X	B3153-11X	16 Ga.	(1.5)	12"	(304.8)	8.64	(219.4)	286	(129.7)	8"	(200)
B3151-10Y	--	16 Ga.	(1.5)	18"	(457.2)	7.64	(194.0)	377	(171.0)	8"	(200)
B3151-11Y	--	16 Ga.	(1.5)	18"	(457.2)	8.64	(219.4)	424	(192.3)	8"	(200)
B3151-12Y	--	16 Ga.	(1.5)	18"	(457.2)	9.64	(244.8)	475	(215.4)	10"	(250)
B3151-13Y	--	16 Ga.	(1.5)	18"	(457.2)	10.76	(273.3)	529	(239.9)	10"	(250)
B3151-14Z	--	14 Ga.	(1.9)	24"	(609.6)	11.76	(298.7)	964	(437.3)	12"	(300)
B3151-15Z	--	14 Ga.	(1.9)	24"	(609.6)	12.76	(324.1)	1045	(474.0)	12"	(300)
B3151-16Z	--	14 Ga.	(1.9)	24"	(609.6)	14.00	(355.6)	1146	(519.8)	14"	(350)
B3151-17Z	--	14 Ga.	(1.9)	24"	(609.6)	15.00	(381.0)	1227	(556.5)	16"	(400)
B3151-18Z	--	14 Ga.	(1.9)	24"	(609.6)	16.00	(406.4)	1308	(593.3)	16"	(400)
B3151-19Z	--	14 Ga.	(1.9)	24"	(609.6)	17.00	(431.8)	1393	(631.8)	18"	(450)
B3151-20Z	--	12 Ga.	(2.6)	24"	(609.6)	18.00	(457.2)	2064	(936.2)	18"	(450)
B3151-21Z	--	12 Ga.	(2.6)	24"	(609.6)	19.00	(482.6)	2178	(987.9)	20"	(500)
B3151-22Z	--	12 Ga.	(2.6)	24"	(609.6)	20.00	(508.0)	2292	(1039.6)	20"	(500)
B3151-23Z	--	12 Ga.	(2.6)	24"	(609.6)	21.00	(533.4)	2406	(1091.3)	24"	(600)
B3151-24Z	--	12 Ga.	(2.6)	24"	(609.6)	22.00	(558.8)	2520	(1143.1)	24"	(600)
B3151-25Z	--	12 Ga.	(2.6)	24"	(609.6)	23.00	(584.2)	2634	(1194.8)	24"	(600)
B3151-26Z	--	12 Ga.	(2.6)	24"	(609.6)	24.00	(609.6)	2753	(1248.7)	24"	(600)
B3151-27Z	--	12 Ga.	(2.6)	24"	(609.6)	25.00	(635.0)	2862	(1298.2)	30"	(750)
B3151-28Z	--	12 Ga.	(2.6)	24"	(609.6)	26.00	(660.4)	2980	(1351.7)	30"	(750)
B3151-29Z	--	12 Ga.	(2.6)	24"	(609.6)	27.00	(685.8)	3094	(1403.4)	30"	(750)
B3151-30Z	--	12 Ga.	(2.6)	24"	(609.6)	28.00	(711.2)	3208	(1455.1)	30"	(750)

Short insulation protection shield

B3154 - Short insulation protection shield

B3155 - Short insulation protection shield with "loc" tabs

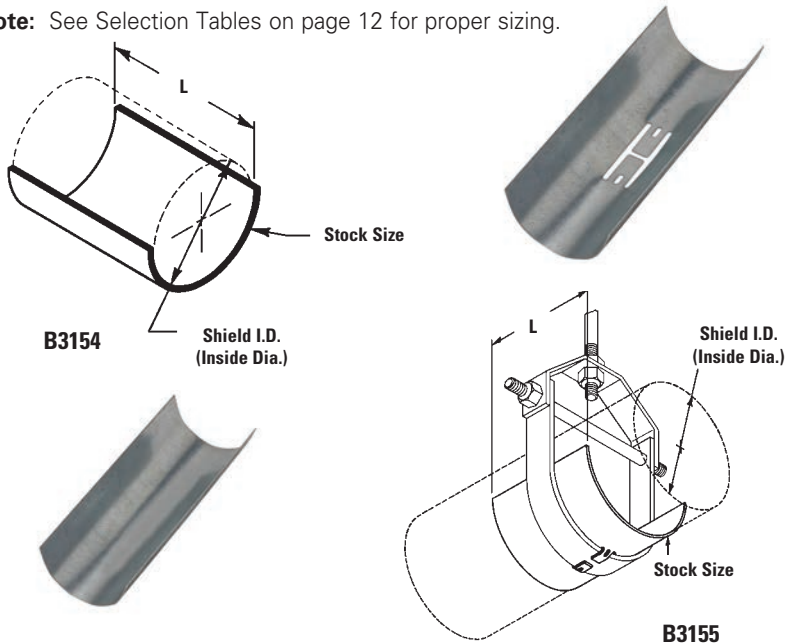
Material: Steel (Stainless steel available)

Function: Designed for protection of foam, fiberglass, or high density insulation when used with pipe hangers.

Finish: Pre-Galvanized (ASTM A653 G90)

Order by: Part number and finish.

Note: See Selection Tables on page 12 for proper sizing.

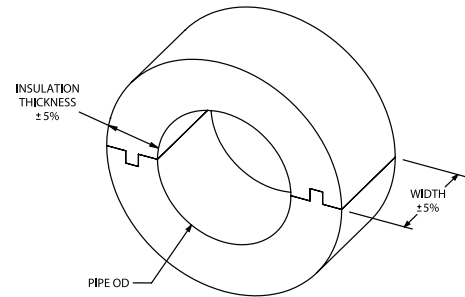
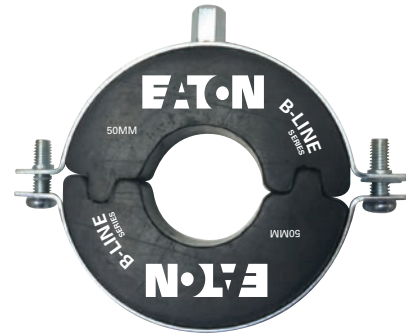


B3155 same dimension as B3154 but with bottom tabs for centering and securing the shield to hanger.

Part no.	Part no.	Stock size		L		Shield 'I.D.'		Approx. Wt./100		Pipe hanger size	
		in.	(mm)	in.	(mm)	in.	(mm)	Lbs.	(kg)	in.	(mm)
B3154-1X	B3155-1X	18 Ga.	(1.2)	8"	(203.2)	1.90	(48.2)	36	(16.3)	1 1/2"	(40)
B3154-2X	B3155-2X	18 Ga.	(1.2)	8"	(203.2)	2.38	(60.4)	45	(20.4)	2"	(50)
B3154-3X	B3155-3X	18 Ga.	(1.2)	8"	(203.2)	2.88	(73.1)	54	(24.5)	2 1/2"	(65)
B3154-4X	B3155-4X	18 Ga.	(1.2)	8"	(203.2)	3.50	(88.9)	66	(29.9)	3"	(80)
B3154-5X	B3155-5X	18 Ga.	(1.2)	8"	(203.2)	4.00	(101.6)	75	(34.0)	3 1/2"	(90)
B3154-6X	B3155-6X	18 Ga.	(1.2)	8"	(203.2)	4.50	(114.3)	84	(38.1)	4"	(100)
B3154-7X	B3155-7X	18 Ga.	(1.2)	8"	(203.2)	5.00	(127.0)	93	(42.2)	5"	(125)
B3154-8X	B3155-8X	18 Ga.	(1.2)	8"	(203.2)	5.56	(141.2)	105	(47.6)	5"	(125)
B3154-9X	B3155-9X	18 Ga.	(1.2)	8"	(203.2)	6.64	(168.6)	126	(57.1)	6"	(150)
B3154-10Z	B3155-10Z	18 Ga.	(1.2)	12"	(304.8)	7.64	(194.0)	218	(98.9)	8"	(200)
B3154-11Z	B3155-11Z	18 Ga.	(1.2)	12"	(304.8)	8.64	(219.4)	247	(112.0)	8"	(200)
B3154-12Z	B3155-12Z	18 Ga.	(1.2)	12"	(304.8)	9.64	(244.8)	273	(123.8)	10"	(250)
B3154-13Z	B3155-13Z	18 Ga.	(1.2)	12"	(304.8)	10.76	(273.3)	304	(137.9)	10"	(250)
B3154-14Z	B3155-14Z	18 Ga.	(1.2)	12"	(304.8)	11.76	(298.7)	332	(150.6)	12"	(300)
B3154-15Z	B3155-15Z	18 Ga.	(1.2)	12"	(304.8)	12.76	(324.1)	360	(163.3)	12"	(300)

Rubber Support Insert

- Better than wood or foam products
 - Resistant to deterioration and distortion from exposure to moisture
 - Dimensional accuracy
- Noise and vibration dampening
- Locking upper and lower part design improves installation simplicity and reduces labor
- Thermal conductivity: 0.14 W/m°C
- Density: 1200 Kg/m³
- Load capacity: meets max expected operating weight of piping systems for spans suggested by MSS SP-69
- BS-3974-1: 1974 compliant
- Temperature range: -20°C to 110°C



Standard widths

Nominal pipe size	Insert width
½" - 2"	25mm
2" - 5"	38mm
6"+	50mm

Nom. pipe size		Sch. 40 steel pipe OD		½"	¾"	1"	1 ¼"	1 ½"	2"	2 ½"	3"
in	mm	in	mm	13mm	19mm	25mm	32mm	38mm	50mm	65mm	75mm
½	15	0.840	21.3	RSI151325	RSI151925	RSI152525	RSI153225	RSI153825	RSI155025	RSI156525	RSI157525
¾	20	1.050	26.7	RSI201325	RSI201925	RSI202525	RSI203225	RSI203825	RSI205025	RSI206525	RSI207525
1	25	1.315	33.4	RSI251325	RSI251925	RSI252525	RSI253225	RSI253825	RSI255025	RSI256525	RSI257525
1 ¼	32	1.660	42.1	RSI321325	RSI321925	RSI322525	RSI323225	RSI323825	RSI325025	RSI326525	RSI327525
1 ½	40	1.900	48.2	RSI401325	RSI401925	RSI402525	RSI403225	RSI403825	RSI405025	RSI406525	RSI407525
2	50	2.375	60.3	RSI501325	RSI501925	RSI502525	RSI503225	RSI503825	RSI505025	RSI506525	RSI507525
2 ½	65	2.875	73	RSI651338	RSI651938	RSI652538	RSI653238	RSI653838	RSI655038	RSI656538	RSI657538
3	80	3.500	88.9	RSI801338	RSI801938	RSI802538	RSI803238	RSI803838	RSI805038	RSI806538	RSI807538
3 ½	90	4.000	101.6	RSI901338	RSI901938	RSI902538	RSI903238	RSI903838	RSI905038	RSI906538	RSI907538
4	100	4.500	114.3	RSI1001338	RSI1001938	RSI1002538	RSI1003238	RSI1003838	RSI1005038	RSI1006538	RSI1007538
5	125	5.563	141.3	RSI1251338	RSI1251938	RSI1252538	RSI1253238	RSI1253838	RSI1255038	RSI1256538	RSI1257538
6	150	6.625	168.3	RSI1501350	RSI1501950	RSI1502550	RSI1503250	RSI1503850	RSI1505050	RSI1506550	RSI1507550
8	200	8.625	219.1	RSI2001350	RSI2001950	RSI2002550	RSI2003250	RSI2003850	RSI2005050	RSI2006550	RSI2007550
10	250	10.750	273	RSI2501350	RSI2501950	RSI2502550	RSI2503250	RSI2503850	RSI2505050	RSI2506550	RSI2507550
12	300	12.750	323.8	RSI3001350	RSI3001950	RSI3002550	RSI3003250	RSI3003850	RSI3005050	RSI3006550	RSI3007550
14	350	14.000	355.6	RSI3501350	RSI3501950	RSI3502550	RSI3503250	RSI3503850	RSI3505050	RSI3506550	RSI3507550
16	400	16.000	406.4	RSI4001350	RSI4001950	RSI4002550	RSI4003250	RSI4003850	RSI4005050	RSI4006550	RSI4007550
18	450	18.000	457.2	RSI4501350	RSI4501950	RSI4502550	RSI4503250	RSI4503850	RSI4505050	RSI4506550	RSI4507550
20	500	20.000	508	RSI5001350	RSI5001950	RSI5002550	RSI5003250	RSI5003850	RSI5005050	RSI5006550	RSI5007550
24	600	24.000	609.6	RSI6001350	RSI6001950	RSI6002550	RSI6003250	RSI6003850	RSI6005050	RSI6006550	RSI6007550

Selection for common pipe/insulation sizes

Nom pipe size	Appropriate size for insulation / RSI thickness				
	19mm	25mm	32mm	38mm	50mm
½"	2"* or 60	2-½"* or 73	86	99	122
¾"	65	77	93	103	127
1"	2-½"* or 73	86	99	110	137
1¼"	81	93	107	122	5"* or 141
1½"	86	99	4"* or 114	127	149
2"	99	110	127	137	161
2½"	4"* or 114	127	5"* or 141	154	174
3"	127	5"* or 141	154	6"* or 168	190
3½"	5"* or 141	154	6"* or 168	179	206
4"	154	6"* or 168	179	190	8"* or 219
5"	179	190	206	8"* or 219	242
6"	206	8"* or 219	233	242	10"* or 273
8"		10"* or 273	284	296	12"* or 324
10"		12"* or 324	338	350	374
12"		374	388	400	421
14"		16"* or 406	421	433	18"* or 457
16"		18"* or 457	471	483	507
18"		20"* or 508	522	534	561
20"		561	575	587	611

*Indicates nominal pipe size

Eaton
 1000 Eaton Boulevard
 Cleveland, OH 44122
 United States
 Eaton.com

B-Line Division
 509 West Monroe Street
 Highland, IL 62249
 Eaton.com

© 2017 Eaton
 All Rights Reserved
 Printed in USA
 Publication No. CA310002EN
 October 2017

Eaton is a registered trademark.

All other trademarks are property of their respective owners.

Eaton reserves the right to make changes to the specifications, materials, equipment, prices, or the availability of products at any time without prior notice. While every effort has been made to assure the accuracy of information contained in this catalog at the time of publication, we cannot accept responsibility for inaccuracies resulting from undetected errors or omissions.



Powering Business Worldwide