

Brackets



Brackets offered in this section are designed for support of pipe or hanger rod attachments. Brackets offer a convenient means of supporting pipe from a vertical surface.

Materials

Carbon Steel material is mig-welded into bracket assemblies. Stainless Steel and other materials are available.

Finishes

The standard finishes for mechanical supports are plain steel (oil coated) sometimes referred to as black and Electro-Galvanized Zinc (ASTM B633 SC3). Hot-Dip Galvanized After Fabrication (ASTM A123), Red Primer, Plastic Coating, DURA GREEN™ and other special coatings are available upon request.

Approvals (as noted)

Items in this section comply with Federal Specification WW-H-171E & A-A-1192A or Manufacturers Standardization Society ANSI/MSS SP-69 & SP-58.

B3068 - Light Duty Welded Bracket

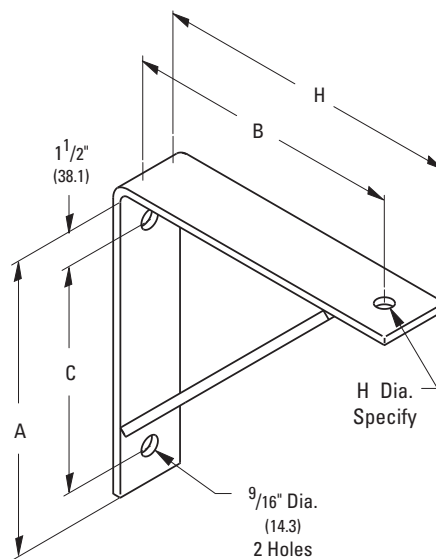
Material: Steel

Function: Recommended for suspending pipe outward from mounting surface.

Approvals: Conforms to Federal Specification WW-H-171E & A-A-1192A, Type 32 and Manufacturers Standardization Society ANSI/MSS SP-69 & SP-58, Type 31.

Finish: Plain or Electro-Galvanized. Contact customer service for alternative finishes and materials.

Order By: Part number, hole size 'H', and finish



Part No.	A		B		C		H Dia.		Design Load Lbs. (kN)	Approx. Wt./100 Lbs. (kg)
	in.	(mm)	in.	(mm)	in.	(mm)	in.	(mm)		
B3068-1	9"	(228.6)	8"	(203.2)	6 1/2"	(165.1)	Specify	(Specify)	750 (3.33)	360 (163.3)
B3068-2	13"	(330.2)	12"	(304.8)	10 1/2"	(266.7)	Specify	(Specify)	750 (3.33)	582 (264.0)
B3068-3	19"	(482.6)	18"	(457.2)	16 1/2"	(419.1)	Specify	(Specify)	750 (3.33)	860 (390.1)

All dimensions in charts and on drawings are in inches. Dimensions shown in parentheses are in millimeters unless otherwise specified.

Brackets

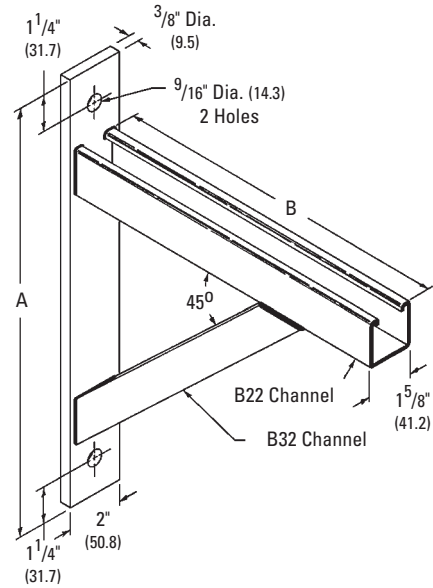
B3064 - Adjustable Strut Bracket

Material: Steel

Function: Designed for supporting pipe from walls or structures where lateral adjustment is required.

Standard Finish: Plain or Electro-Galvanized

Order By: Part number and finish.



Part No.	A		B		Design Load		Approx. Wt./100	
	in.	(mm)	in.	(mm)	Lbs.	(kN)	Lbs.	(kg)
B3064-1	15"	(381.0)	12"	(304.8)	1200	(5.34)	660	(299.4)
B3064-2	21"	(533.4)	18"	(457.2)	800	(3.56)	1004	(455.4)
B3064-3	27"	(685.8)	24"	(609.6)	600	(2.67)	1346	(610.5)

All dimensions in charts and on drawings are in inches. Dimensions shown in parentheses are in millimeters unless otherwise specified.

B3065 - Welded Bracket - Light Duty

Max. Recommended Load: 750 lbs. (3.33kN)

Material: Steel

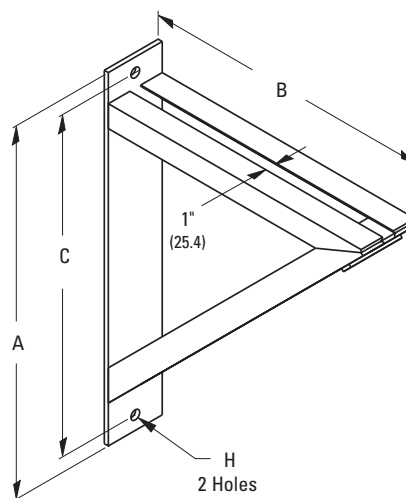
Function: Recommended for supporting pipe on top or hanging through support bracket outward from mounting surface.

Approvals: Conforms to Federal Specification WW-H-171E & A-A-1192A, Type 32 and Manufacturers Standardization Society ANSI/MSS SP-69 & SP-58, Type 31.

Finish: Plain or Electro-Galvanized.

Note: Available in Electro-Galvanized and HDG finish or Stainless Steel materials.

Order By: Part number and finish



Part No.	Mtg. Hole H		A		B		C	
	in.	(mm)	in.	(mm)	in.	(mm)	in.	(mm)
B3065-1	9/16"	(14.3)	13"	(330.2)	9"	(228.6)	11 1/2"	(292.1)
B3065-2	9/16"	(14.3)	17"	(431.8)	13"	(330.2)	15 1/2"	(393.7)
B3065-3	9/16"	(14.3)	23"	(584.2)	19"	(482.6)	21 1/2"	(546.1)

Part No.	Design Load		Approx. Wt./100	
	Lbs.	(kN)	Lbs.	(kg)
B3065-1	750	(3.33)	571	(259.0)
B3065-2	750	(3.33)	769	(348.8)
B3065-3	750	(3.33)	1057	(479.4)

All dimensions in charts and on drawings are in inches. Dimensions shown in parentheses are in millimeters unless otherwise specified.

Brackets

Figure B3066 - Welded Bracket - Medium Duty

Max. Recommended Load: 1500 lbs. (6.67kN)

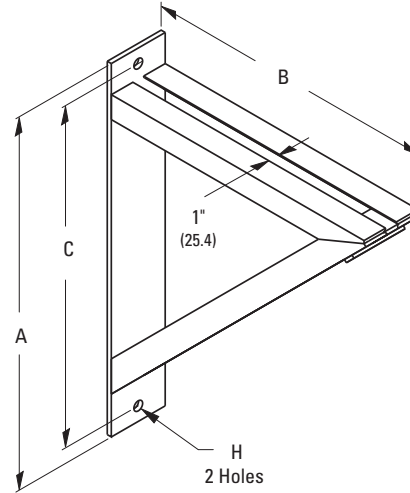
Material: Steel

Function: Recommended for supporting pipe on top or hanging through support bracket outward from mounting surface.

Approvals: Conforms to Federal Specification WW-H-171E & A-A-1192A, Type 33 and Manufacturers Standardization Society ANSI/MSS SP-69 & SP-58, Type 32.

Finish: Plain or Electro-Galvanized. Contact customer service for alternative finishes and materials.

Order By: Part number and finish



Part No.	Mtg. Hole H		A		B		C	
	in.	(mm)	in.	(mm)	in.	(mm)	in.	(mm)
B3066-0	13/16"	(20.6)	18"	(457.2)	12"	(304.8)	15 1/2"	(393.7)
B3066-1	13/16"	(20.6)	24"	(609.6)	18"	(457.2)	21 1/2"	(546.1)
B3066-2	13/16"	(20.6)	30"	(762.0)	24"	(609.6)	27 1/2"	(698.5)

Part No.	Design Load		Approx. Wt./100	
	Lbs.	(kN)	Lbs.	(kg)
B3066-0	1500	(6.67)	1577	(715.3)
B3066-1	1500	(6.67)	2578	(1169.4)
B3066-2	1500	(6.67)	4446	(2016.7)

All dimensions in charts and on drawings are in inches. Dimensions shown in parentheses are in millimeters unless otherwise specified.

B3067 - Welded Bracket - Heavy Duty

Max. Recommended Load: 3000 lbs. (13.34kN)

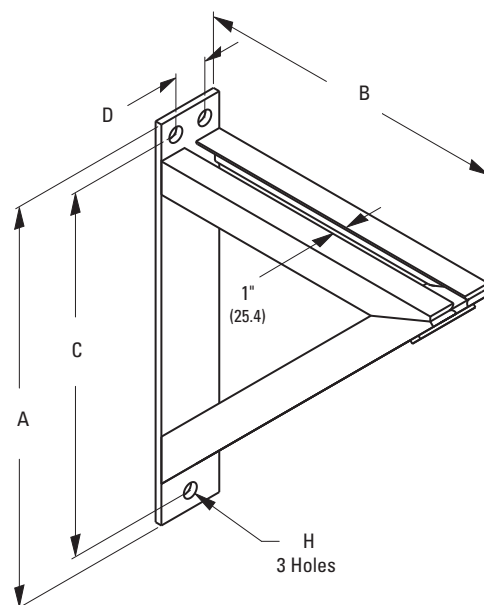
Material: Steel

Function: Recommended for supporting pipe on top or hanging through support bracket outward from mounting surface.

Approvals: Conforms to Federal Specification WW-H-171E & A-A-1192A, Type 33 and Manufacturers Standardization Society ANSI/MSS SP-69 & SP-58, Type 33.

Finish: Plain or Electro-Galvanized. Contact customer service for alternative finishes and materials.

Order By: Part number and finish



Only one hole in top for B3067-0

Part No.	Mtg. Hole H		A		B		C		D	
	in.	(mm)	in.	(mm)	in.	(mm)	in.	(mm)	in.	(mm)
B3067-0	1 ¹ / ₈ "	(28.6)	18"	(457.2)	12"	(304.8)	15 ¹ / ₄ "	(387.3)	**	**
B3067-1	1 ¹ / ₈ "	(28.6)	24"	(609.6)	18"	(457.2)	21 ¹ / ₄ "	(539.7)	2 ¹ / ₂ "	(63.5)
B3067-2	1 ¹ / ₈ "	(28.6)	30"	(762.0)	24"	(609.6)	27 ¹ / ₄ "	(692.1)	2 ¹ / ₂ "	(63.5)
B3067-3	1 ¹ / ₈ "	(28.6)	36"	(914.4)	30"	(762.0)	33"	(838.2)	2 ¹ / ₂ "	(63.5)
B3067-4	1 ¹ / ₈ "	(28.6)	42"	(1066.8)	36"	(914.4)	39"	(990.6)	3 ¹ / ₂ "	(88.9)
B3067-5	1 ¹ / ₈ "	(28.6)	50"	(1270.0)	42"	(1066.8)	46"	(1168.4)	3 ¹ / ₂ "	(88.9)

** One Hole

Part No.	Design Load		Approx. Wt./100	
	Lbs.	(kN)	Lbs.	(kg)
B3067-0	3000	(13.34)	2195	(995.6)
B3067-1	3000	(13.34)	4398	(1994.9)
B3067-2	3000	(13.34)	6294	(2854.9)
B3067-3	3000	(13.34)	7196	(3264.1)
B3067-4	3000	(13.34)	13197	(5986.2)
B3067-5	3000	(13.34)	15795	(7164.6)

All dimensions in charts and on drawings are in inches. Dimensions shown in parentheses are in millimeters unless otherwise specified.

Brackets

B3069W - Welded Knee Bracket

Size Range: 1/2" (15mm) thru 8" (200mm) pipe

Material: Steel

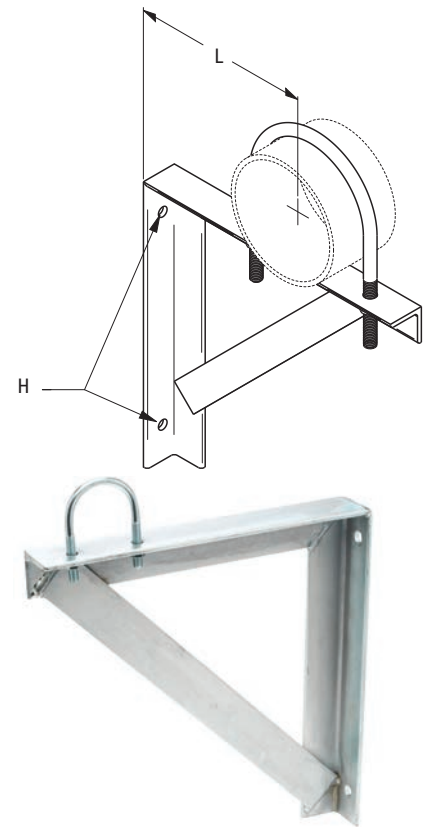
Function: Recommended for suspending pipe outward from mounting surface.

Finish: Plain or Electro-Galvanized. Contact customer service for alternative finishes and materials.

Note: Maximum "L" dimension 16" (406.4mm).

Order By: Part number, pipe size, (**) "L" dimension and finish

Part No.	Pipe Size in. (mm)	Hole Size H in. (mm)	Max. Rec. Load Lbs. (kN)
B3069W-1/2-**	1/2" (15)	9/16" (14.3)	1000 (4.45)
B3069W-3/4-**	3/4" (20)	9/16" (14.3)	1000 (4.45)
B3069W-1-**	1" (25)	9/16" (14.3)	1000 (4.45)
B3069W-1 1/4-**	1 1/4" (32)	9/16" (14.3)	1000 (4.45)
B3069W-1 1/2-**	1 1/2" (40)	9/16" (14.3)	1000 (4.45)
B3069W-2-**	2" (50)	9/16" (14.3)	1000 (4.45)
B3069W-2 1/2-**	2 1/2" (65)	9/16" (14.3)	1000 (4.45)
B3069W-3-**	3" (80)	9/16" (14.3)	1000 (4.45)
B3069W-3 1/2-**	3 1/2" (90)	9/16" (14.3)	1000 (4.45)
B3069W-4-**	4" (100)	1 1/16" (17.5)	1000 (4.45)
B3069W-5-**	5" (125)	1 1/16" (17.5)	1000 (4.45)
B3069W-6-**	6" (150)	1 1/16" (17.5)	1000 (4.45)
B3069W-8-**	8" (200)	1 1/16" (17.5)	1000 (4.45)



** Length to be specified as shown on the drawing.

B3069E - "O" Bracket

Size Range: 1/2" (15mm) thru 8" (200mm) pipe

Material: Carbon Steel

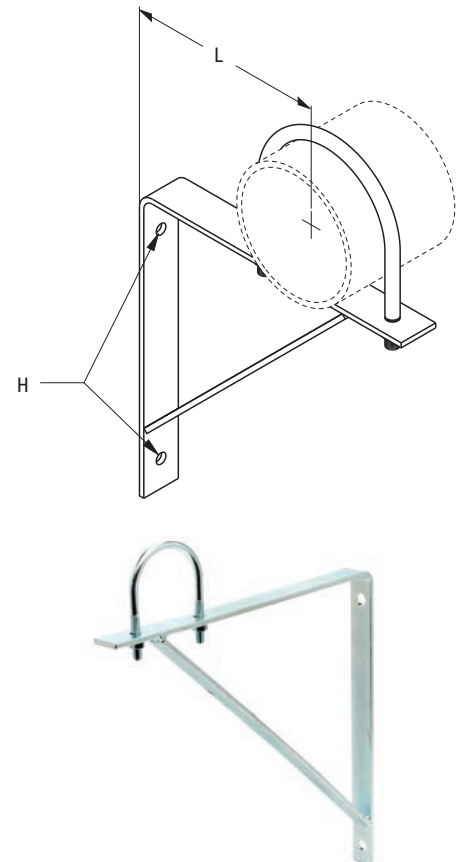
Function: Recommended for suspending pipe outward from mounting surface.

Finish: Plain or Electro-Galvanized. Contact customer service for alternative finishes and materials.

Note: Maximum "L" dimension 16" (406.4mm).

Order By: Part number, pipe size, (**) "L" dimension and finish

Part No.	Pipe Size in. (mm)	Hole Size H in. (mm)	Max. Rec. Load Lbs. (kN)
B3069E-1/2-**	1/2" (15)	9/16" (14.3)	450 (2.00)
B3069E-3/4-**	3/4" (20)	9/16" (14.3)	450 (2.00)
B3069E-1-**	1" (25)	9/16" (14.3)	450 (2.00)
B3069E-1 1/4-**	1 1/4" (32)	9/16" (14.3)	450 (2.00)
B3069E-1 1/2-**	1 1/2" (40)	9/16" (14.3)	450 (2.00)
B3069E-2-**	2" (50)	9/16" (14.3)	450 (2.00)
B3069E-2 1/2-**	2 1/2" (65)	9/16" (14.3)	450 (2.00)
B3069E-3-**	3" (80)	9/16" (14.3)	450 (2.00)
B3069E-3 1/2-**	3 1/2" (90)	9/16" (14.3)	450 (2.00)
B3069E-4-**	4" (100)	1 1/16" (17.5)	450 (2.00)
B3069E-5-**	5" (125)	1 1/16" (17.5)	450 (2.00)
B3069E-6-**	6" (150)	1 1/16" (17.5)	450 (2.00)
B3069E-8-**	8" (200)	1 1/16" (17.5)	450 (2.00)



** Length to be specified as shown on the drawing.

All dimensions in charts and on drawings are in inches. Dimensions shown in parentheses are in millimeters unless otherwise specified.

