

### Fig. 22L2 – One Hole Hanger/Restrainer for CPVC & Steel Pipe

**Size Range:** ¾" (20mm) thru 2" (50mm) CPVC & steel pipe

**Material:** Pre-Galvanized Steel

**Function:** cULus listed to perform as a hanger and restrainer for CPVC or IPS piping systems. The innovative design also allows for a preferred installation location close to a CPVC fitting without applying damaging compression forces on the pipe which could result in serious Mechanical ESC (Environmental Stress Cracking).

**Approvals:** Underwriters Laboratories listed in the USA (UL) and Canada (cUL) to support fire sprinkler piping. May be installed in wood using fasteners supplied with product, or into minimum 20 gauge (0.9mm) steel using (1) ¼" x 1" tek type screw. Meets and exceeds the requirements of NFPA 13, 13R and 13D.

**Installation Note:** Comes in open position for easier installation. Because of multi-structural installation possibilities, specific fastener not included; see notes below for various applications. Only requires one fastener, reducing installation time. Flared edge design protects CPVC pipe from damage.

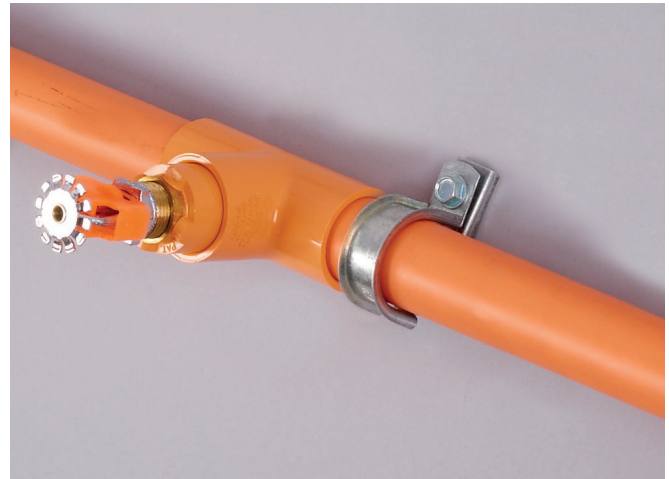
**For Concrete Installation:** UL requires a minimum test load of 340 lbs. for CPVC hangers and 750 lbs. for steel pipe hangers; verify anchors meet or exceed these requirements.

**For Wood Installation:** Test results have shown that #14 x 1 ½" wood screws will support the required load for cULus.

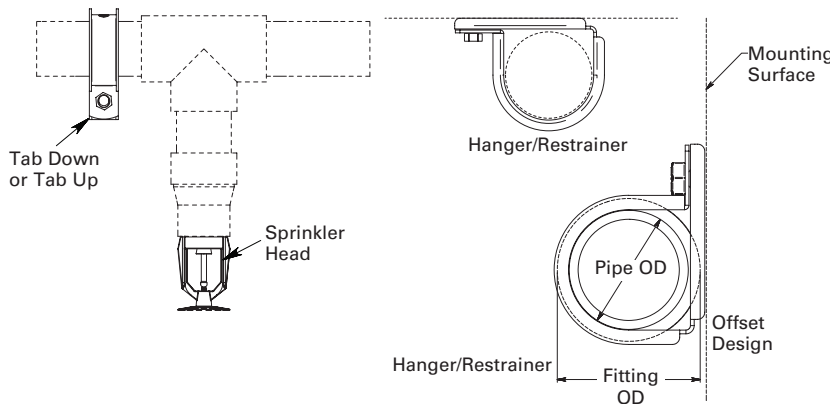
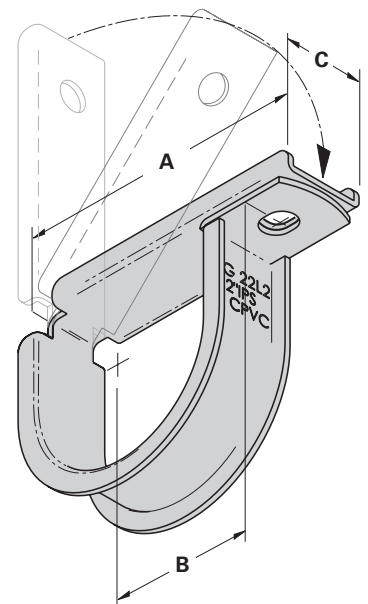
**For Steel Installation:** Test results have shown that ¼" x 1" (min. 20ga steel) tek type screw will support required UL load.

**Finish:** Pre-Galvanized

**Order By:** Part number



Patent Pending



Part #	CPVC or Steel Pipe Size		A		B		C		Max. Hanger Spacing - CPVC		Max. Hanger Spacing - Steel		Approx. Wt./100	
	in.	(mm)	in.	(mm)	in.	(mm)	in.	(mm)	ft.	(m)	ft.	(m)	lbs.	(kg)
22L2-¾	¾"	(20)	2 ⅜"	(55.6)	⅝"	(23.8)	¾"	(19)	5 ½	(1.67)	N/A	N/A	9	(4.1)
22L2-1	1"	(25)	2 ½"	(63.5)	1 ⅝"	(28.6)	¾"	(19)	6	(1.83)	12	(3.66)	9	(4.1)
22L2-1¼	1 ¼"	(32)	2 ⅞"	(71.4)	1 ¾"	(31.7)	¾"	(19)	6 ½	(1.98)	12	(3.66)	11	(5.0)
22L2-1½	1 ½"	(40)	3 ⅞"	(79.4)	1 ⅞"	(36.5)	¾"	(19)	7	(2.13)	15	(4.57)	12	(5.4)
22L2-2	2"	(50)	3 ⅞"	(90.5)	1 ⅝"	(41.3)	¾"	(19)	8	(2.44)	15	(4.57)	15	(6.8)

**Eaton**  
1000 Eaton Boulevard  
Cleveland, OH 44122  
United States  
Eaton.com

© 2015 Eaton  
All Rights Reserved  
Printed in USA  
Publication No. 22L2-15  
April 2015

B-Line Division  
509 West Monroe Street  
Highland, IL 62249  
United States  
Phone: 800-851-7415

www.cooperline.com/cpvc



Eaton is a registered trademark.

All other trademarks are property of their respective owners.