

# Deck Hanger Bracket

## BDH Series and Riveted Assemblies

- Supports conduit or pipe up to 1½" diameter
- Provides minimum conduit standoff of 1½" to meet the NEC® section 300.4(E)†
- Attach BDH1 thru BDH3 to deck or other structure using ¼" or ⅜" diameter fasteners to hang ¼" or ⅜" ATR (see table for hole sizes of their respective parts)
- For single conduit runs up to 1½" diameter, deck hanger is paired with conduit hanger and Guide-Rite™ fastener
- S18 assembly includes Guide Rite conduit and electrical box support hanger, which helps ensure proper support of boxes and conduit per NEC



Fig. 1

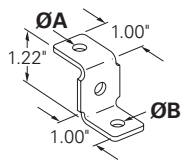


Fig. 2

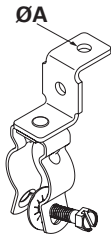
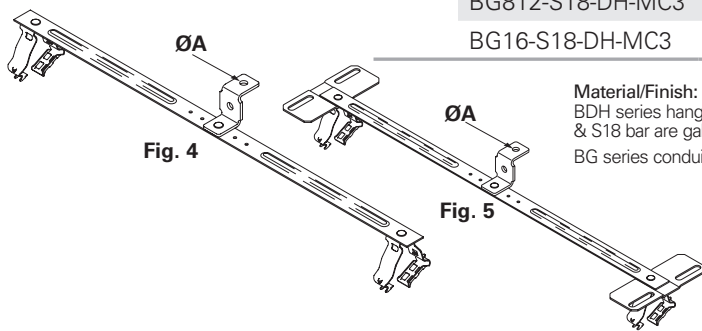
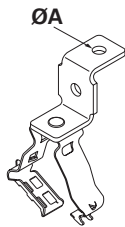


Fig. 3



	Catalog No.	Fig. No.	Hole Ø		Conduit Ø	Static Load*		Qty/Box
			A	B		lbs(kg)		
<b>Bracket</b>	BDH1	1	¼"	¼"	—	230 (104)	100	
	BDH2	1	¼"	⅜"	—	230 (104)	100	
	BDH3	1	⅜"	⅜"	—	250 (113)	100	
<b>Riveted Assembly</b>	BL1400-DH	2	¼"	—	½" EMT/RGD	100 (45)	50	
	BL1410-DH	2	¼"	—	¾" EMT/RGD	100 (45)	50	
	BL1420-DH	2	¼"	—	1" EMT/RGD	100 (45)	50	
	BL1425-DH	2	¼"	—	1¼" EMT	100 (45)	50	
	BL1430-DH	2	¼"	—	1½" EMT, 1¼" RGD	100 (45)	50	
	BG6-DH	3	¼"	—	⅜" EMT/RGD**	50 (23)	50	
	BG812-DH	3	¼"	—	½" -¾" EMT/RGD	50 (23)	50	
	BG16-DH	3	¼"	—	1" EMT/RGD	60 (27)	50	
	BG20-DH	3	¼"	—	1¼" EMT/RGD	75 (34)	50	
	BG24-DH	3	¼"	—	1½" EMT/RGD	80 (36)	50	
	BG6-S18-DH	4	¼"	—	⅜" EMT/RGD**	25 (10)	25	
	BG812-S18-DH	4	¼"	—	½" -¾" EMT/RGD	25 (10)	25	
	BG16-S18-DH	4	¼"	—	1" EMT/RGD	25 (10)	25	
	BG6-S18-DH-MC3	5	¼"	—	⅜" EMT/RGD**	25 (10)	25	
	BG812-S18-DH-MC3	5	¼"	—	½" -¾" EMT/RGD	25 (10)	25	
BG16-S18-DH-MC3	5	¼"	—	1" EMT/RGD	25 (10)	25		

**Material/Finish:**  
BDH series hangers, BL1400 series conduit hangers & S18 bar are galvanized steel  
BG series conduit clips are spring steel/zinc phosphate

**NOTE:** Use appropriate installation hardware (not included) for the specific product application, mounting surface and loads.

\*Static load limits are for deck hanger brackets only; use appropriate mounting hardware.  
\*\*Accepts .420 - .675 diameter; 1/2 thru 10/4 MC/AC cable and 5/16" or 3/8" flexible conduit.  
† NEC® Section 300.4(E) states that cables and raceways must be installed at least 1½" (38 mm) under the roof decking to prevent potential damage from nails or screws.



Follow us on social media to get the latest product and support information.

