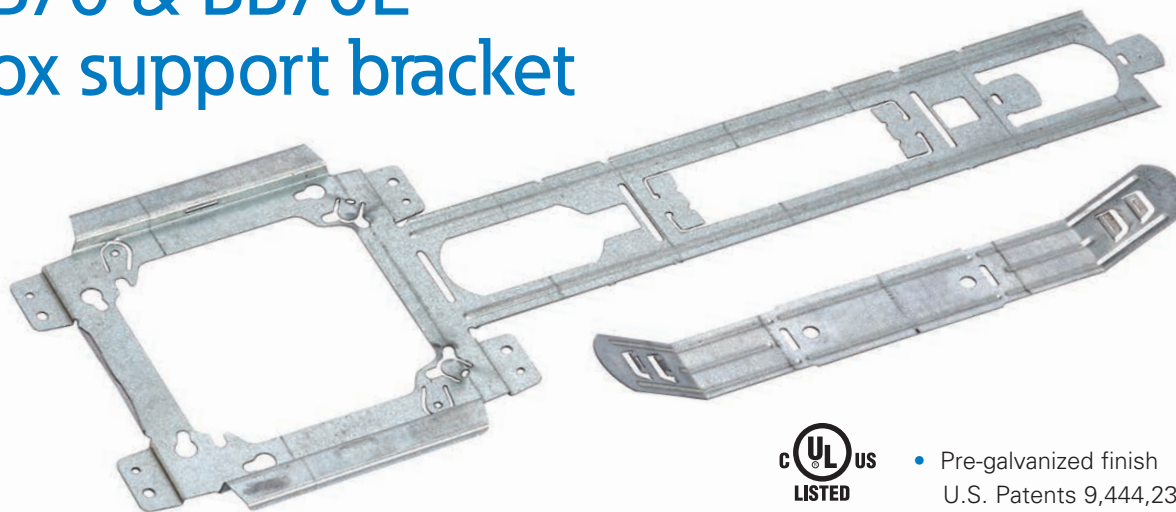


# BB70 & BB70E box support bracket



- Pre-galvanized finish  
U.S. Patents 9,444,236 & 9,780,545

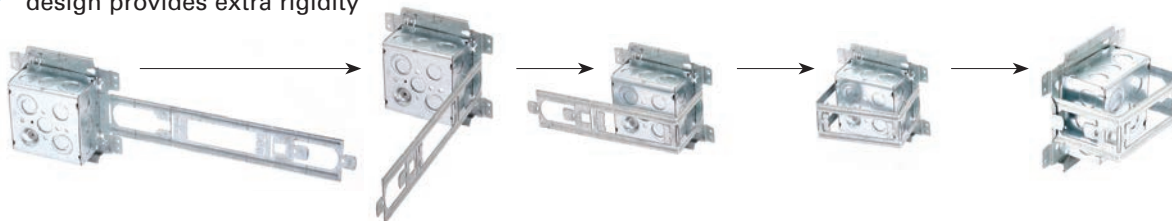
### BB70 & BB70E

UPC Part #	Catalog #	Description	Metal Stud Size	Box Qty.
79903856399	BB70	Box support bracket	2½" - 4"	50
79903856400	BB70E*	Bracket extender	5½" - 6"	50

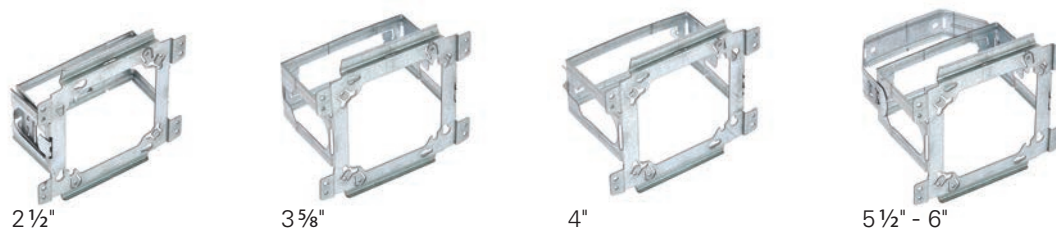
\* Sold separately

## Features & Benefits

- 1 Interlocking wrap-around design provides extra rigidity



- 2 Adjustable for varying stud depths from 2½" to 6"



Powering Business Worldwide

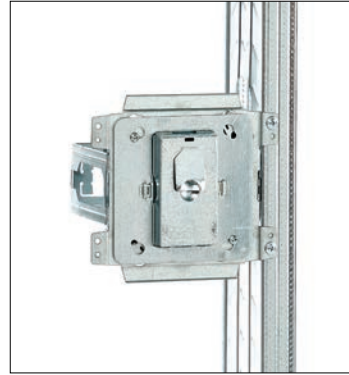
## Additional Features & Benefits

- 3** Supports most U.S. and Canadian, standard 1-gang and 2-gang boxes and/or plaster rings on either side of the stud

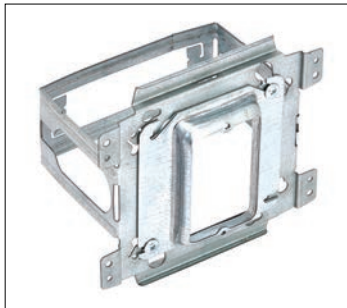


- 4" Sq.
- 4<sup>1</sup>/<sub>6</sub>" Sq.
- 5" Sq.

- 4** Compatible with 1-gang and 2-gang Rapid Ring™ self-adjusting pre-fab ring and adjustable plaster ring



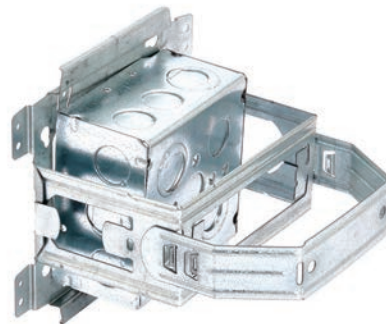
- 5** Integral mounting tabs to attach plaster ring



- 6** Multiple brackets can be ganged together



- 7** Available factory assembled as part of the Ruff-IN™ pre-fab line with box, mud ring, and prewired devices



Assembled BB70 & BB70E

**Eaton**  
1000 Eaton Boulevard  
Cleveland, OH 44122  
United States  
Eaton.com

© 2018 Eaton  
All Rights Reserved  
Printed in USA  
Publication No. SA306008EN  
March 2018 BB70

B-Line Division  
509 West Monroe Street  
Highland, IL 62249  
United States  
Phone: 800-851-7415

Eaton.com/fasteners

Eaton is a registered trademark.

All other trademarks are property of their respective owners.

Follow us on social media to get the latest product and support information.

