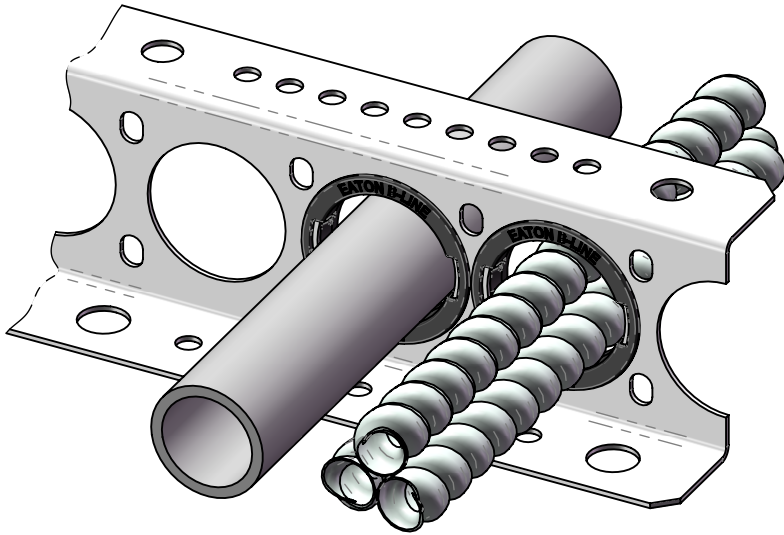


CATALOG NUMBER	USED ON	SUBMITTAL DRAWING	ID	HOLE SIZE
BCTB1	BCTS1 SERIES	S00035387	Ø1.52"	Ø1.625" HOLE
BCTB2	BCTS2 SERIES	S00035388	Ø2.52"	Ø2.625" HOLE
BCTB3	BCTS3 SERIES	S00035389	4.52" X 5.145"	4.625" X 5.250 SLOT



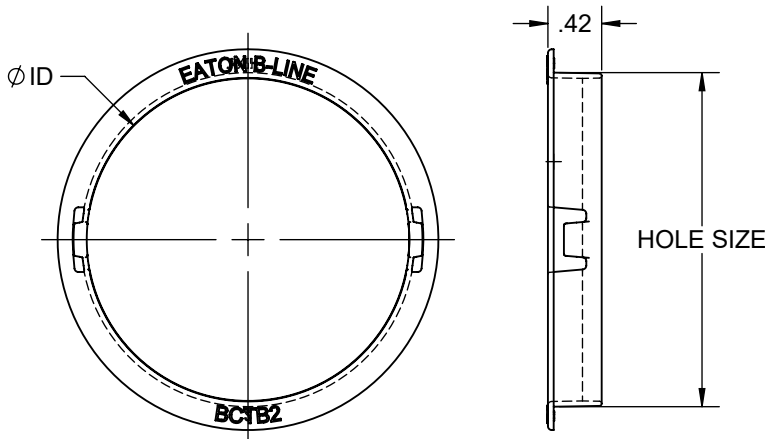
BCTB3



BCTB1



BCTB2



BCTB2 SHOWN
OTHER SIZES SIMILAR

- USE WITH BCTS SERIES CONDUIT TRAPEZE SUPPORTS (ORDER SEPARATELY).
- BUSHINGS SNAP INTO CONDUIT OPENINGS TO PROTECT FLEXIBLE CONDUIT OR PVC CONDUIT FROM EDGE OF OPENING.
- MATERIAL: POLYPROPYLENE PLASTIC, BLACK

THIS DRAWING AND/OR THE TECHNICAL INFORMATION CONTAINED HEREON IS THE PROPERTY OF EATON CORPORATION ("EATON"), AND IS ISSUED IN CONFIDENCE FOR EATON ENGINEERING PURPOSES ONLY AND MAY NOT BE REPRODUCED OR USED FOR ANY PURPOSE WHATSOEVER WITHOUT THE EXPRESS WRITTEN PERMISSION OF EATON TO THE USER. THIS DRAWING AND/OR TECHNICAL INFORMATION IS THE PROPERTY OF EATON AND IS LOANED FOR MUTUAL ASSISTANCE. TO BE RETURNED WHEN ITS INTENDED PURPOSE HAS BEEN SERVED.



Eaton, B-Line Division
509 W. Monroe Street
Highland, IL 62249
Phone (618) 654-2184
FAX (618) 654-5499
www.b-line.com

SUBMITTAL DRAWING

TITLE:

**BCTB1, BCTB2 & BCTB3
SNAP-IN BUSHINGS
FOR BCTS SERIES
CONDUIT TRAPEZE SUPPORTS**

REFERENCE DWG(S):
S00035387
S00035388
S00035389

SUBMITTAL NO:
S00035728

DRAWN BY: MLW
REV: A

DATE: 03/06/19

MODEL SOURCE FILE: 00035728
REV: 00

SHEET: 1 OF 1

UNLESS OTHERWISE SPECIFIED MATERIAL SHOWN HAS BEEN FABRICATED IN ACCORDANCE WITH THIS DRAWING.