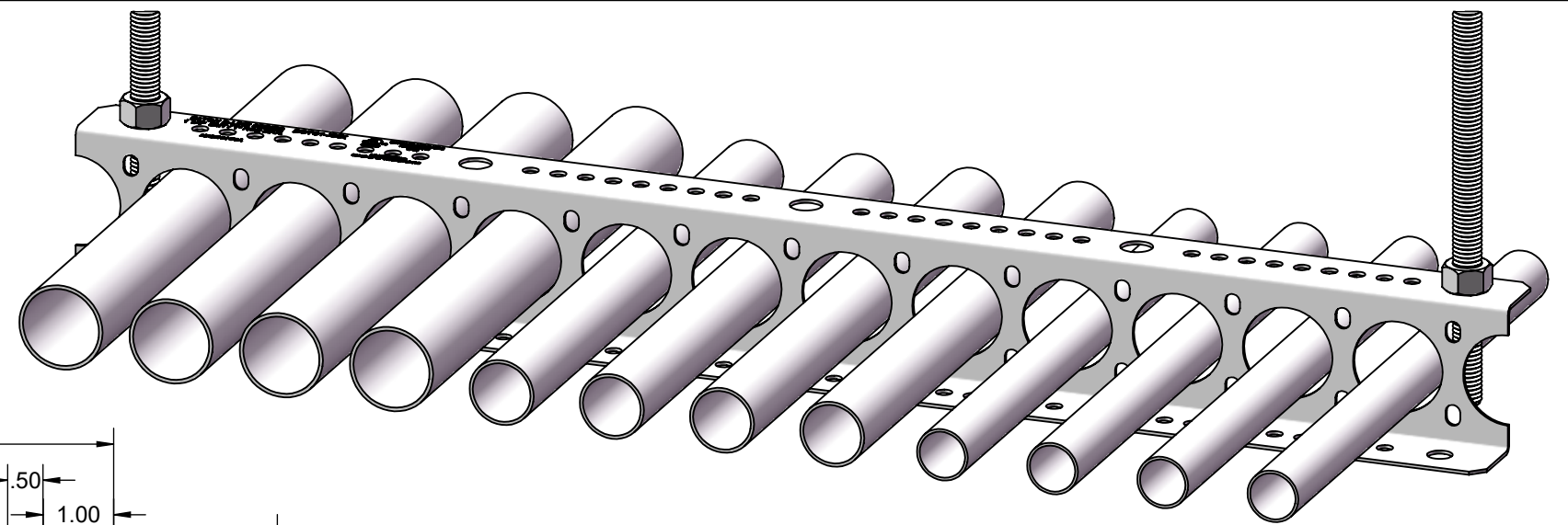
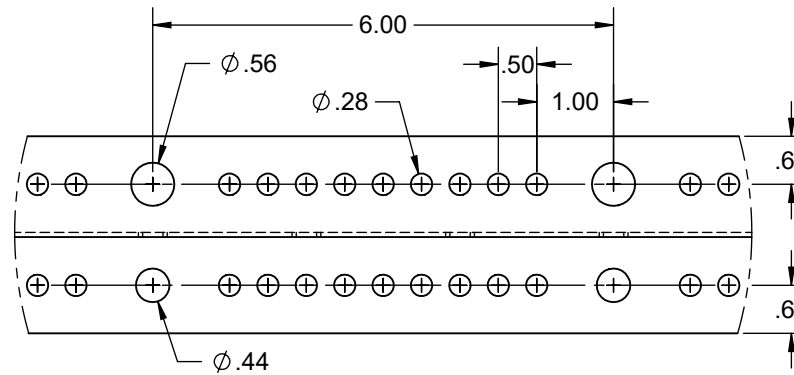


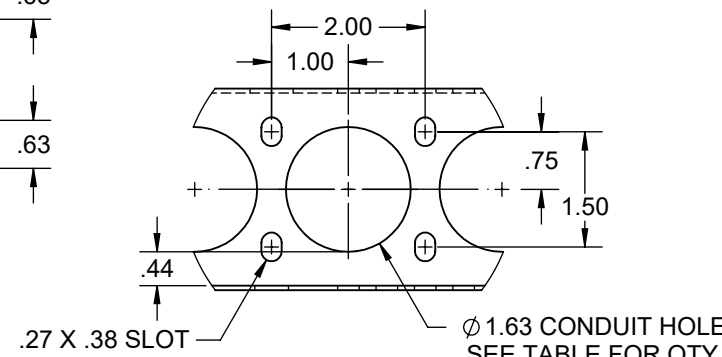
| CATALOG NUMBER | NOMINAL LENGTH | A      | CONDUIT HOLES | APPROX. WT/PC (LB) |
|----------------|----------------|--------|---------------|--------------------|
| BCTS1-12       | 12"            | 14.00  | 6             | 0.87               |
| BCTS1-18       | 18"            | 20.00  | 9             | 1.24               |
| BCTS1-24       | 24"            | 26.00  | 12            | 1.62               |
| BCTS1-30       | 30"            | 32.00  | 15            | 1.99               |
| BCTS1-36       | 36"            | 38.00  | 18            | 2.37               |
| BCTS1-42       | 42"            | 44.00  | 21            | 2.74               |
| BCTS1-48       | 48"            | 50.00  | 24            | 3.11               |
| BCTS1-54       | 54"            | 56.00  | 27            | 3.49               |
| BCTS1-60       | 60"            | 62.00  | 30            | 3.86               |
| BCTS1-66       | 66"            | 68.00  | 33            | 4.23               |
| BCTS1-72       | 72"            | 74.00  | 36            | 4.61               |
| BCTS1-78       | 78"            | 80.00  | 39            | 4.98               |
| BCTS1-84       | 84"            | 86.00  | 42            | 5.36               |
| BCTS1-90       | 90"            | 92.00  | 45            | 5.73               |
| BCTS1-96       | 96"            | 98.00  | 48            | 6.10               |
| BCTS1-102      | 102"           | 104.00 | 51            | 6.48               |
| BCTS1-108      | 108"           | 110.00 | 54            | 6.85               |
| BCTS1-114      | 114"           | 116.00 | 57            | 7.22               |
| BCTS1-120      | 120"           | 122.00 | 60            | 7.60               |



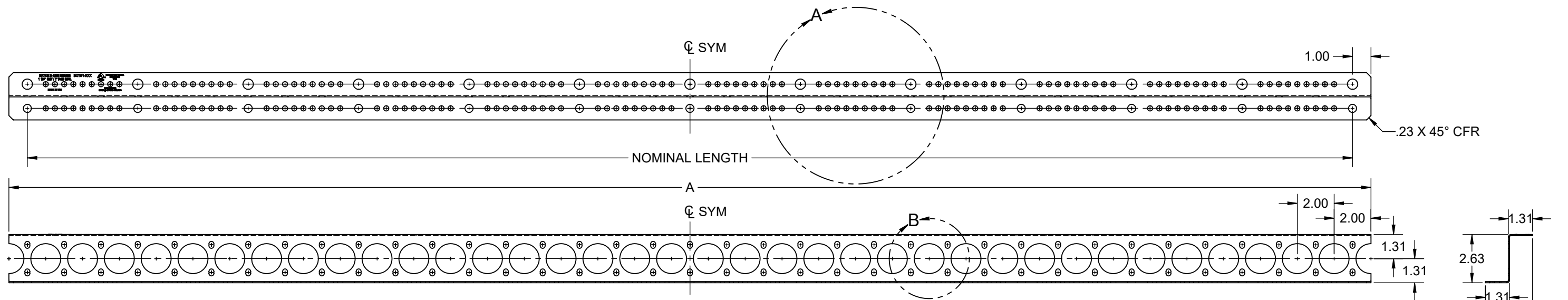
BCTS1-24 SHOWN  
OTHER LENGTHS SIMILAR



DETAIL A



DETAIL B



BCTS1-72 SHOWN  
OTHER LENGTHS SIMILAR

- USE TO SUPPORT MULTIPLE CONDUITS UP TO 1 1/4" EMT OR 1" RIGID.
- USE WITH Ø 3/8" OR Ø 1/2" ATR, OR ATTACH DIRECT TO DECK WITH Ø 3/8" OR Ø 1/2" HARDWARE.
- MAXIMUM LOAD (SAFETY FACTOR 3):

| HANGER ROD |        |
|------------|--------|
| SPACING    | LOAD   |
| 12"        | 500 LB |
| 24"        | 450 LB |
| 36"        | 350 LB |

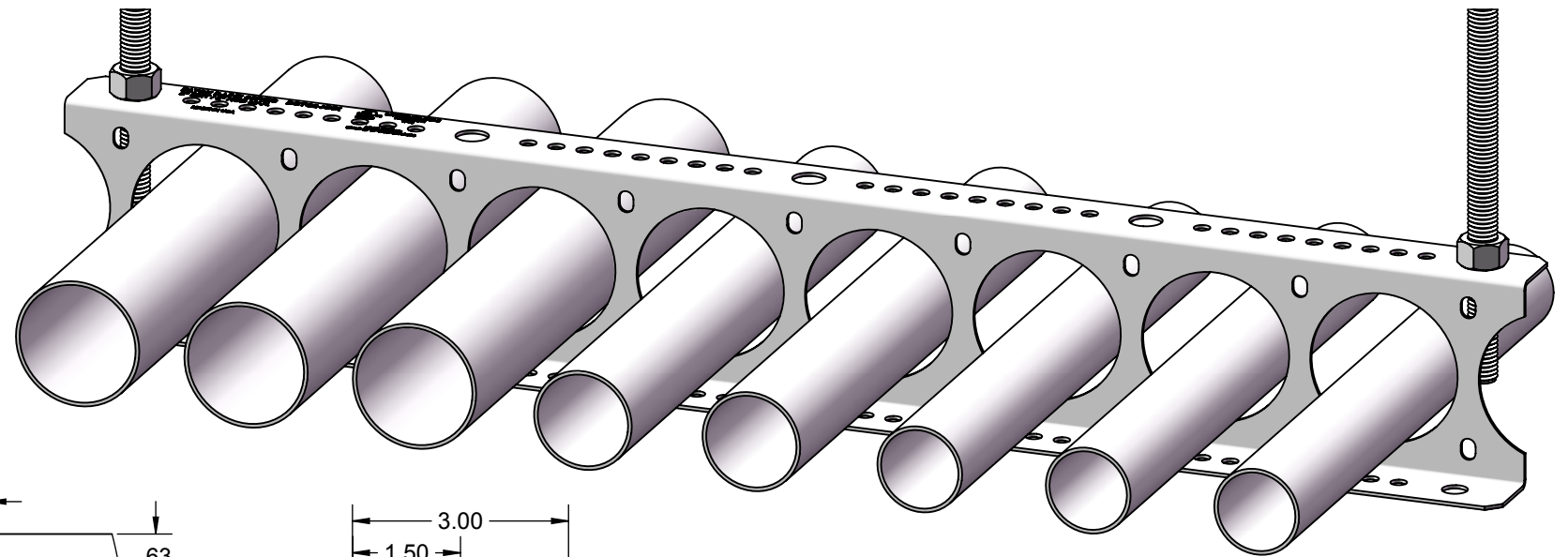
- MAY BE CUT INTO SMALLER LENGTHS IN 6" HANGER ROD INCREMENTS WITH MINIMAL WASTE.
- MATERIAL: 16 GA PREGALVANIZED STEEL



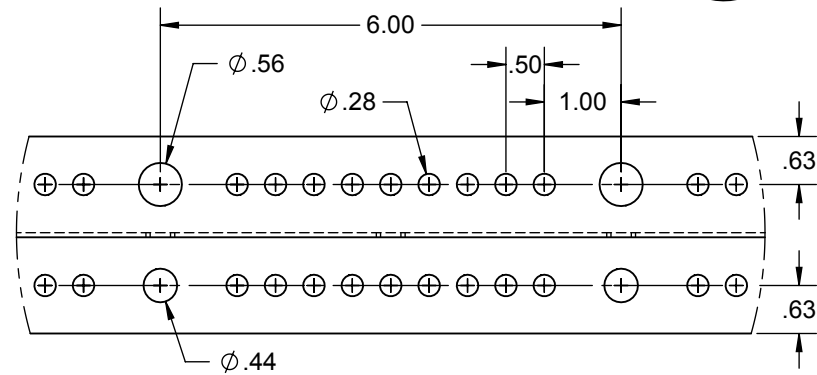
THIS DRAWING AND/OR THE TECHNICAL INFORMATION CONTAINED HEREON IS THE PROPERTY OF EATON CORPORATION ("EATON"), AND IS ISSUED IN CONFIDENCE FOR EATON ENGINEERING PURPOSES ONLY AND MAY NOT BE REPRODUCED OR USED FOR ANY PURPOSE WHATSOEVER WITHOUT THE EXPRESS WRITTEN PERMISSION OF EATON TO THE USER. THIS DRAWING AND/OR TECHNICAL INFORMATION IS THE PROPERTY OF EATON AND IS LOANED FOR MUTUAL ASSISTANCE. TO BE RETURNED WHEN ITS INTENDED PURPOSE HAS BEEN SERVED.

|  |  |                |                                |                             |
|--|--|----------------|--------------------------------|-----------------------------|
| <br>Powering Business Worldwide®   | <b>SUBMITTAL DRAWING</b>   |                | REFERENCE DWG(S):              | SUBMITTAL NO.:              |
|  | <b>BCTS1-12 THRU BCTS1-120<br/>CONDUIT TRAPEZE SUPPORT<br/>1 1/4" EMT/ 1" RGD MAX.<br/>12" LENGTH THRU 120" LENGTH</b> |                | MODEL SOURCE FILE:<br>00035387 | SUBMITTAL NO.:<br>S00035387 |
| Eaton, B-Line Division<br>509 W. Monroe Street<br>Highland, IL 62249<br>Phone (618) 654-2184<br>FAX (618) 654-5499<br>www.b-line.com | TITLE:   |                | REV: 00                        | DRAWN BY: MLW<br>REV: A     |
| UNLESS OTHERWISE SPECIFIED MATERIAL SHOWN HAS BEEN FABRICATED IN ACCORDANCE WITH THIS DRAWING.                                       |  | DATE: 04/11/18 |                                | SHEET: 1 OF 1               |

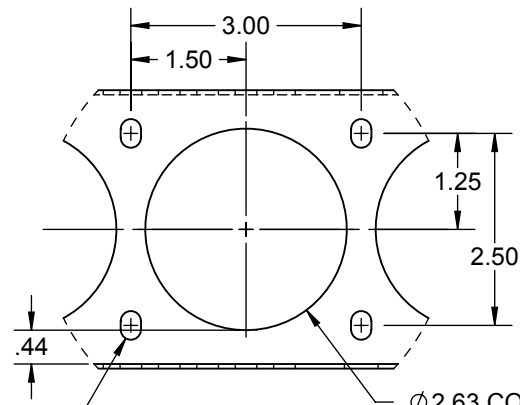
| CATALOG NUMBER | NOMINAL LENGTH | A      | CONDUIT HOLES | APPROX WT/PC (LB) |
|----------------|----------------|--------|---------------|-------------------|
| BCTS2-12       | 12"            | 14.00  | 4             | 0.95              |
| BCTS2-18       | 18"            | 20.00  | 6             | 1.35              |
| BCTS2-24       | 24"            | 26.00  | 8             | 1.75              |
| BCTS2-30       | 30"            | 32.00  | 10            | 2.15              |
| BCTS2-36       | 36"            | 38.00  | 12            | 2.55              |
| BCTS2-42       | 42"            | 44.00  | 14            | 2.95              |
| BCTS2-48       | 48"            | 50.00  | 16            | 3.35              |
| BCTS2-54       | 54"            | 56.00  | 18            | 3.75              |
| BCTS2-60       | 60"            | 62.00  | 20            | 4.15              |
| BCTS2-66       | 66"            | 68.00  | 22            | 4.55              |
| BCTS2-72       | 72"            | 74.00  | 24            | 4.95              |
| BCTS2-78       | 78"            | 80.00  | 26            | 5.35              |
| BCTS2-84       | 84"            | 86.00  | 28            | 5.75              |
| BCTS2-90       | 90"            | 92.00  | 30            | 6.15              |
| BCTS2-96       | 96"            | 98.00  | 32            | 6.55              |
| BCTS2-102      | 102"           | 104.00 | 34            | 6.95              |
| BCTS2-108      | 108"           | 110.00 | 36            | 7.35              |
| BCTS2-114      | 114"           | 116.00 | 38            | 7.75              |
| BCTS2-120      | 120"           | 122.00 | 40            | 8.15              |



BCTS2-24 SHOWN  
OTHER LENGTHS SIMILAR

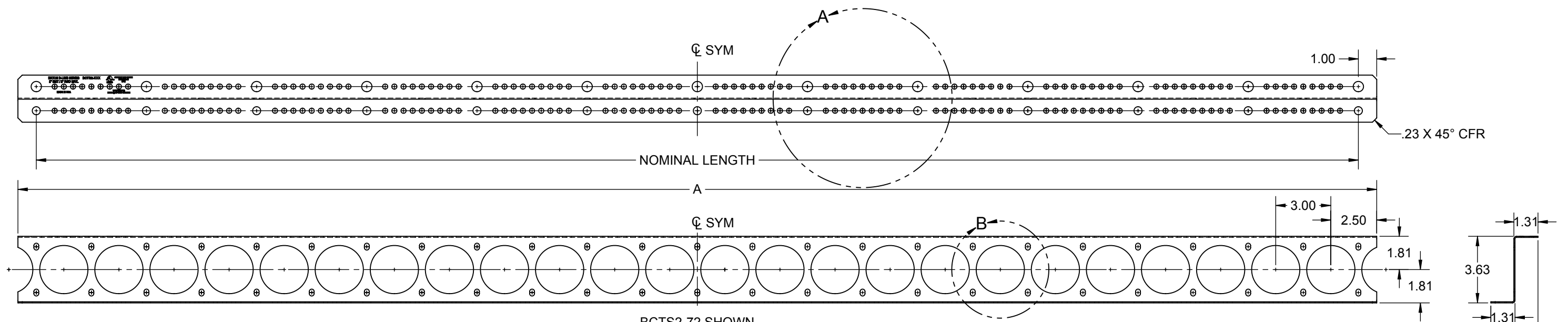


DETAIL A



DETAIL B

Ø 2.63 CONDUIT HOLE  
SEE TABLE FOR QTY



BCTS2-72 SHOWN  
OTHER LENGTHS SIMILAR

- USE TO SUPPORT MULTIPLE CONDUITS UP TO 2" EMT OR 2" RIGID.
- USE WITH Ø 3/8" OR Ø 1/2" ATR, OR ATTACH DIRECT TO DECK WITH Ø 3/8" OR Ø 1/2" HARDWARE.
- MAXIMUM LOAD (SAFETY FACTOR 3):

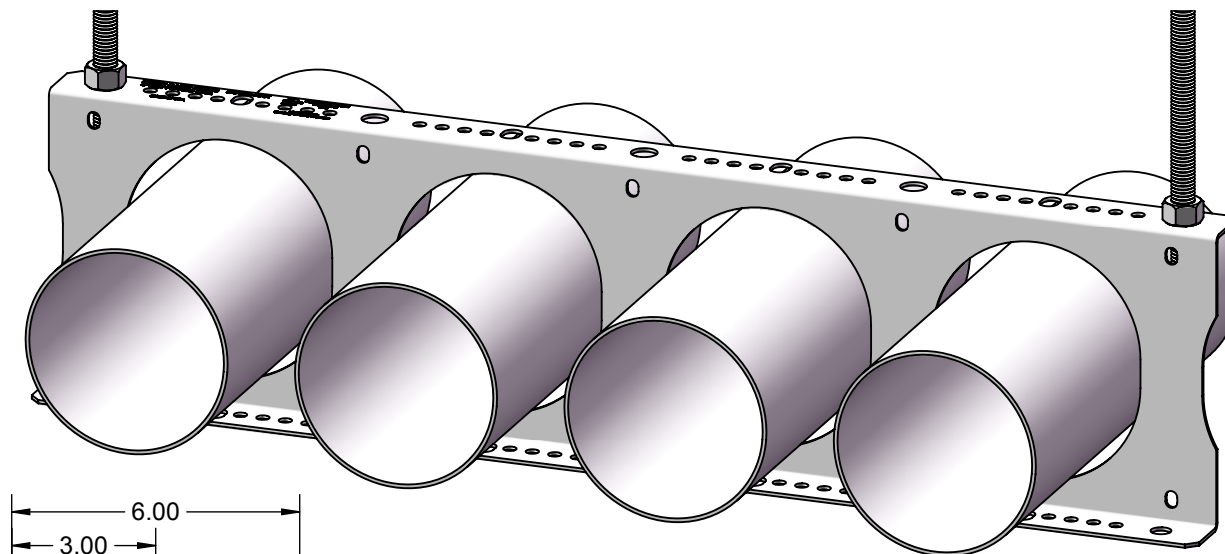
| HANGER ROD SPACING | LOAD   |
|--------------------|--------|
| 12"                | 500 LB |
| 24"                | 400 LB |
| 36"                | 300 LB |

- MAY BE CUT INTO SMALLER LENGTHS IN 6" HANGER ROD INCREMENTS WITH MINIMAL WASTE.
- MATERIAL: 16 GA PREGALVANIZED STEEL

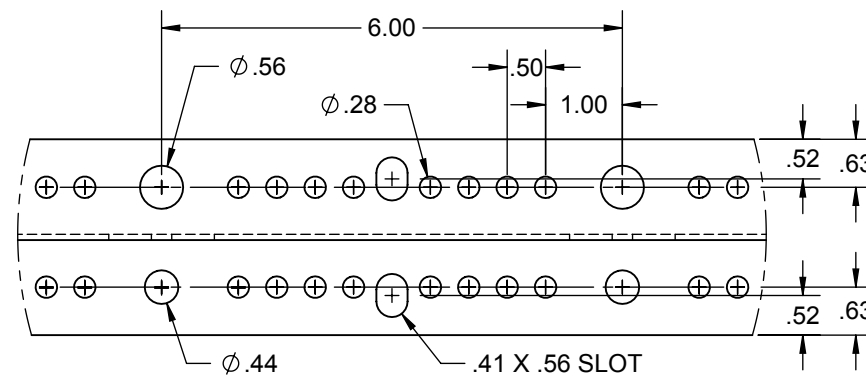


|  |  |   |   |
|--|--|---|---|
| <p>Powering Business Worldwide®</p> <p>Eaton, B-Line Division<br/>509 W. Monroe Street<br/>Highland, IL 62249<br/>Phone (618) 654-2184<br/>FAX (618) 654-5499<br/>www.b-line.com</p> |  | <p>THIS DRAWING AND/OR THE TECHNICAL INFORMATION CONTAINED HEREON IS THE PROPERTY OF EATON CORPORATION ("EATON"), AND IS ISSUED IN CONFIDENCE FOR EATON ENGINEERING PURPOSES ONLY AND MAY NOT BE REPRODUCED OR USED FOR ANY PURPOSE WHATSOEVER WITHOUT THE EXPRESS WRITTEN PERMISSION OF EATON TO THE USER. THIS DRAWING AND/OR TECHNICAL INFORMATION IS THE PROPERTY OF EATON AND IS LOANED FOR MUTUAL ASSISTANCE. TO BE RETURNED WHEN ITS INTENDED PURPOSE HAS BEEN SERVED.</p> |   |
| <p>TITLE:<br/><b>BCTS2-12 THRU BCTS2-120<br/>CONDUIT TRAPEZE SUPPORT<br/>2" EMT/RGD MAX.<br/>12" LENGTH THRU 120" LENGTH</b></p>   |  | <p>REFERENCE DWG(S):</p>  | <p>SUBMITTAL NO:<br/><b>S00035388</b></p> |
| <p>UNLESS OTHERWISE SPECIFIED MATERIAL SHOWN HAS BEEN FABRICATED IN ACCORDANCE WITH THIS DRAWING.</p>  |  | <p>MODEL SOURCE FILE:<br/>00035387</p>  | <p>REV: 00</p>                            |
|  |  | <p>DATE:<br/>04/11/18</p>   | <p>SHEET:<br/>1 OF 1</p>                  |

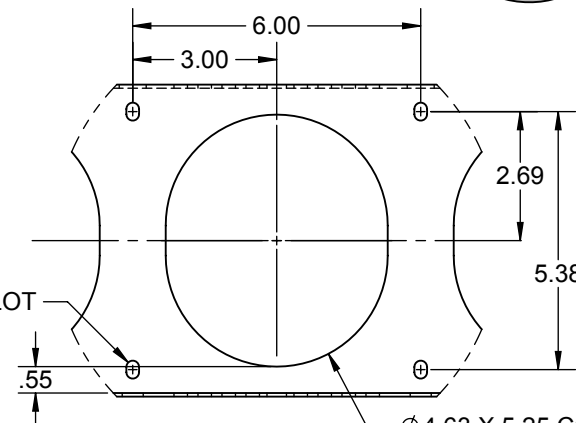
| CATALOG NUMBER | NOMINAL LENGTH | A      | CONDUIT HOLES | APPROX WT/PC (LB) |
|----------------|----------------|--------|---------------|-------------------|
| BCTS3-12       | 12"            | 14.00  | 2             | 1.68              |
| BCTS3-18       | 18"            | 20.00  | 3             | 2.35              |
| BCTS3-24       | 24"            | 26.00  | 4             | 3.02              |
| BCTS3-30       | 30"            | 32.00  | 5             | 3.69              |
| BCTS3-36       | 36"            | 38.00  | 6             | 4.36              |
| BCTS3-42       | 42"            | 44.00  | 7             | 5.04              |
| BCTS3-48       | 48"            | 50.00  | 8             | 5.71              |
| BCTS3-54       | 54"            | 56.00  | 9             | 6.38              |
| BCTS3-60       | 60"            | 62.00  | 10            | 7.05              |
| BCTS3-66       | 66"            | 68.00  | 11            | 7.72              |
| BCTS3-72       | 72"            | 74.00  | 12            | 8.40              |
| BCTS3-78       | 78"            | 80.00  | 13            | 9.07              |
| BCTS3-84       | 84"            | 86.00  | 14            | 9.74              |
| BCTS3-90       | 90"            | 92.00  | 15            | 10.41             |
| BCTS3-96       | 96"            | 98.00  | 16            | 11.08             |
| BCTS3-102      | 102"           | 104.00 | 17            | 11.75             |
| BCTS3-108      | 108"           | 110.00 | 18            | 12.43             |
| BCTS3-114      | 114"           | 116.00 | 19            | 13.10             |
| BCTS3-120      | 120"           | 122.00 | 20            | 13.77             |



BCTS3-24 SHOWN  
OTHER LENGTHS SIMILAR

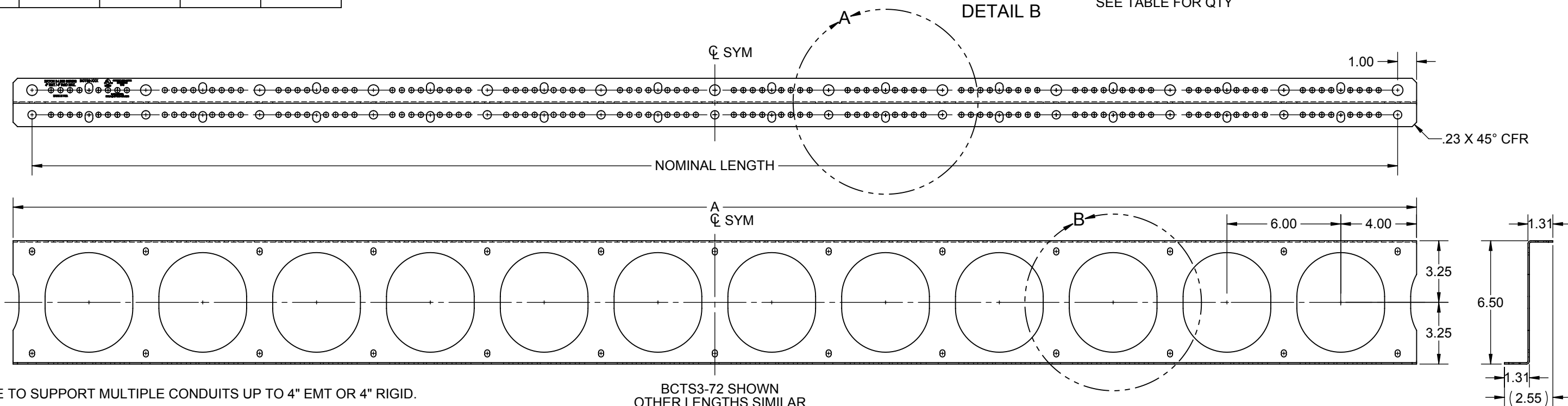


DETAIL A



DETAIL B

Ø4.63 X 5.25 CONDUIT HOLE  
SEE TABLE FOR QTY



BCTS3-72 SHOWN  
OTHER LENGTHS SIMILAR

- USE TO SUPPORT MULTIPLE CONDUITS UP TO 4" EMT OR 4" RIGID.
- USE WITH Ø3/8" OR Ø1/2" ATR.
- MAXIMUM LOAD (SAFETY FACTOR 3):

| HANGER ROD SPACING | LOAD   |
|--------------------|--------|
| 12"                | 500 LB |
| 24"                | 800 LB |
| 36"                | 750 LB |

- MAY BE CUT INTO SMALLER LENGTHS IN 6" HANGER ROD INCREMENTS WITH MINIMAL WASTE.
- MATERIAL: 14 GA PREGALVANIZED STEEL



Eaton, B-Line Division  
509 W. Monroe Street  
Highland, IL 62249  
Phone (618) 654-2184  
FAX (618) 654-5499

www.b-line.com

SUBMITTAL DRAWING

TITLE:  
BCTS3-12 THRU BCTS3-120  
CONDUIT TRAPEZE SUPPORT  
4" EMT/ RGD MAX.  
12" LENGTH THRU 120" LENGTH

UNLESS OTHERWISE SPECIFIED MATERIAL SHOWN HAS BEEN FABRICATED IN ACCORDANCE WITH THIS DRAWING.

|                                |                            |
|--------------------------------|----------------------------|
| REFERENCE DWG(S):              | SUBMITTAL NO:<br>S00035389 |
| DRAWN BY:<br>MLW               | REV:<br>A                  |
| DATE:<br>04/11/18              | SHEET:<br>1 OF 1           |
| MODEL SOURCE FILE:<br>00035387 | REV:<br>00                 |