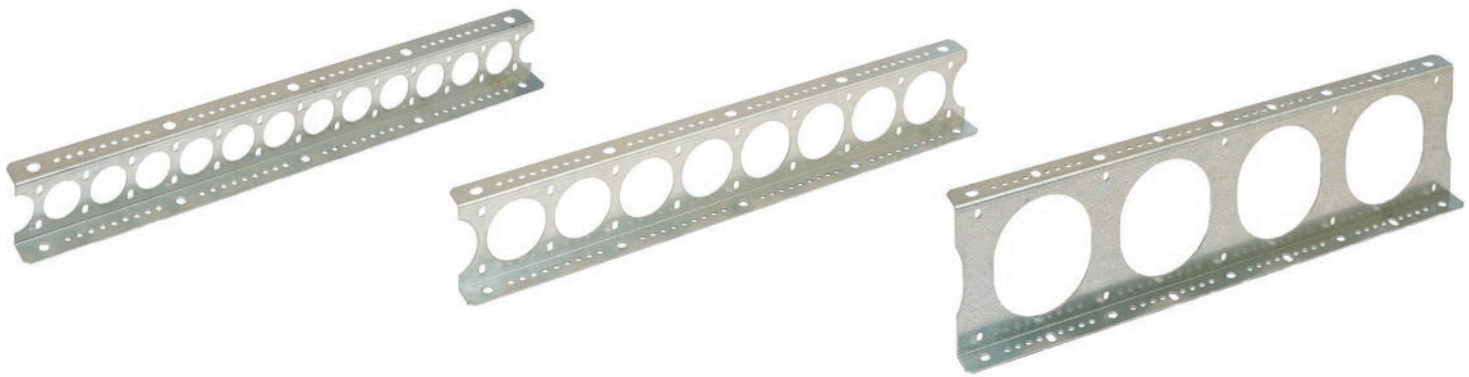


Brochure

**B-LINE**  
SERIES

# Conduit Trapeze Support

Lower installed cost solution



**EATON**

*Powering Business Worldwide*

# Conduit Trapeze Support

Lower total installed cost solution with up to 50% time-savings over traditional strut trapeze

This versatile Z-shaped design supports multiple sizes and types of conduit, MC/AC cable, cable tray and attachment of other accessories such as electrical boxes.

## Features & Benefits

### Installation savings

- Up to 50% quicker installation than traditional strut trapeze
- Conduit holes automatically align conduits across trapeze
- B-Line series SLN slip on lock nut provides additional time savings by attaching at any point along the all threaded rod

### Material savings

- Fewer components when compared to strut trapeze
- Eliminates the need for conduit clamps at every support location
- No washers required at the hanger locations
- No special tools required

### Design features

- Unique Z design for added rigidity and strength
- Flange accommodates 1/2" or 3/8" ATR or bolts
- May be mounted directly to concrete decking or other structures
- Standard hole patterns make it easy to stack for multiple tiers, or splice end to end
- Conduit clamps can be attached directly to either flange if needed
- Flange holes provide multiple options for hanger rods, mounting hardware and other accessories
- Overhang/cantilever option allows improved load ratings (i.e. 24" loads with 36" capacity)

### Certifications

- UL listed for US and Canada
- Most configurations exceed maximum load ratings defined by UL/NEC requirements
- 500 lb. load rating at 12"; hanger spacing for all three sizes; safety factor of 3



## Product Offering

- Available in three sizes
  - Up to 1-1/4" EMT, holds 6 conduits per foot
  - Up to 2" EMT / Rigid conduit, holds 4 conduits per foot
  - Up to 4" EMT / Rigid conduit, holds 2 conduits per foot
- Available in 12" to 120" lengths in 6-inch increments (repeating pattern every 6 inches); longer sections can be cut to desired length in the field
- Standard finish is pre-galvanized; available made to order in 316 stainless steel and painted finishes
- Plastic bushings (BCTB series) that snap into place; available for all three hole sizes



Conduit trapeze support with cable tray

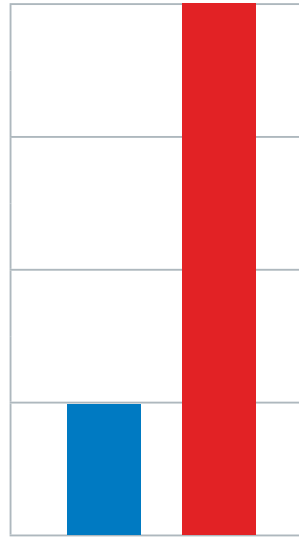


Conduit trapeze support with Guide-Rite™ fasteners



# Lower total installed cost solution

<b>BCTS1-24"*</b>	<b>vs.</b>	<b>Traditional strut trapeze*</b>
(1) BCTS1		(1) 24" length channel
(4) hex nuts		(4) square washers
<hr/>		(4) hex nuts
5 total parts		(12) conduit clamps
		<hr/>
		21 total parts



=

Up to 75% part reduction

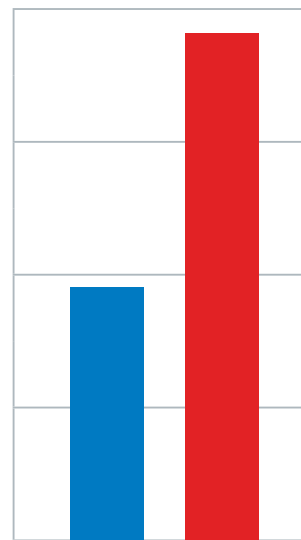
\* (hangers not included in the BOM)

Total materials used for installation

■ Conduit Trapeze Support  
■ Traditional Strut Trapeze

Up to 50% installation time savings

=



■ Conduit Trapeze Support  
■ Traditional Strut Trapeze

Total Installed Time

Eaton B-Line series BCTS

Traditional Strut Trapeze

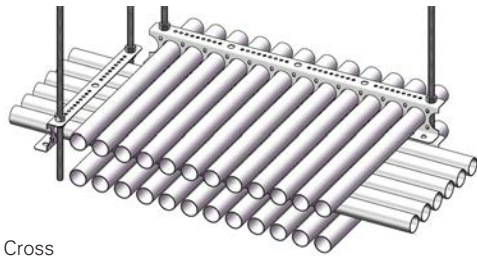




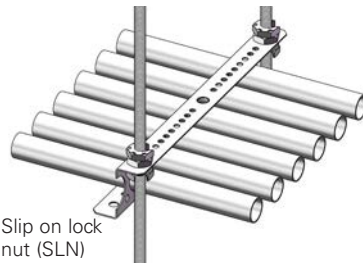
Conduit and Flextray™ trapeze support



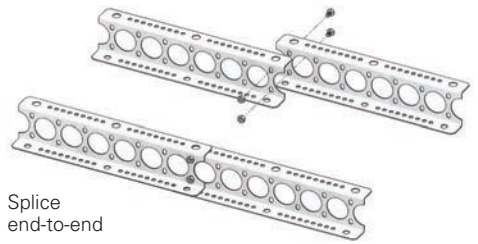
Conduit trapeze support with electrical box



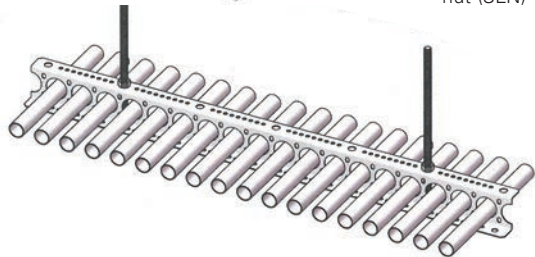
Cross



Slip on lock nut (SLN)



Splice end-to-end



Overhang/cantilever (i.e. 36" capacity; 24" load rating)



Double tiered (ordered separately)



Conduit trapeze support with BL1400 conduit clamps



Horizontal conduit trapeze support

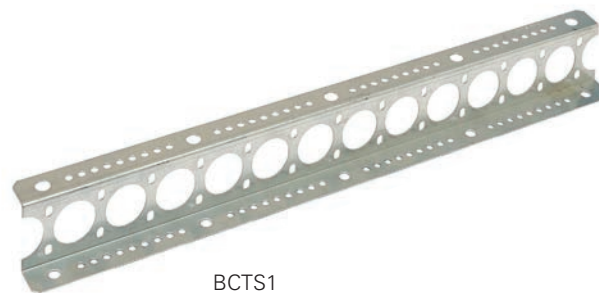


## BCTS1 Series - 1 1/4" EMT/1" Rigid Maximum

Hanger rod spacing loads: Safety Factor of 3

Evenly distributed maximum load • 24" (610mm) is 450 lbs. (2.00kN) • 36" (914mm) is 350 lbs. (1.55kN)

Part No.	Nominal Length		Overall Length		Conduit Holes	Wt./C	
	In.	mm	In.	mm		Lbs.	kg
<b>BCTS1-12</b>	12	(305)	14	(355)	6	0.87	(39.4)
<b>BCTS1-18</b>	18	(457)	20	(508)	9	1.24	(56.2)
<b>BCTS1-24</b>	24	(609)	26	(660)	12	1.62	(73.5)
<b>BCTS1-30</b>	30	(762)	32	(813)	15	1.99	(90.2)
<b>BCTS1-36</b>	36	(914)	38	(965)	18	2.37	(107.5)
<b>BCTS1-42</b>	42	(1067)	44	(1117)	21	2.74	(124.3)
<b>BCTS1-48</b>	48	(1219)	50	(1270)	24	3.11	(141.0)
<b>BCTS1-54</b>	54	(1371)	56	(1422)	27	3.49	(158.3)
<b>BCTS1-60</b>	60	(1524)	62	(1575)	30	3.86	(175.1)
<b>BCTS1-66</b>	66	(1676)	68	(1727)	33	4.23	(191.9)
<b>BCTS1-72</b>	72	(1829)	74	(1879)	36	4.61	(209.1)
<b>BCTS1-78</b>	78	(1981)	80	(2032)	39	4.98	(225.9)
<b>BCTS1-84</b>	84	(2133)	86	(2184)	42	5.36	(243.1)
<b>BCTS1-90</b>	90	(2286)	92	(2337)	45	5.73	(259.9)
<b>BCTS1-96</b>	96	(2438)	98	(2489)	48	6.10	(276.7)
<b>BCTS1-102</b>	102	(2591)	104	(2641)	51	6.48	(293.9)
<b>BCTS1-108</b>	108	(2743)	110	(2794)	54	6.85	(310.7)
<b>BCTS1-114</b>	114	(2895)	116	(2946)	57	7.22	(327.5)
<b>BCTS1-120</b>	120	(3048)	122	(3099)	60	7.60	(344.7)
<b>BCTB1</b>	Bushing for 1 5/8" Holes					0.4	(0.18)



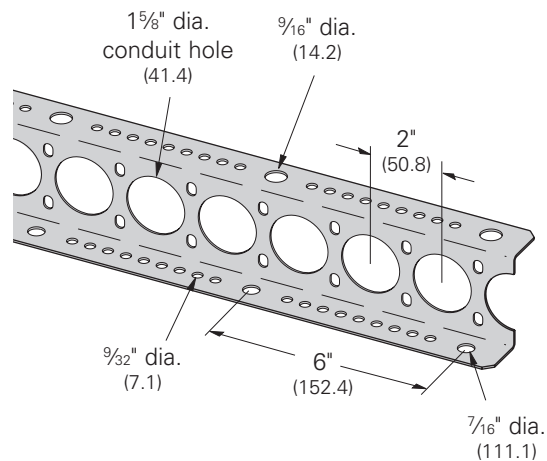
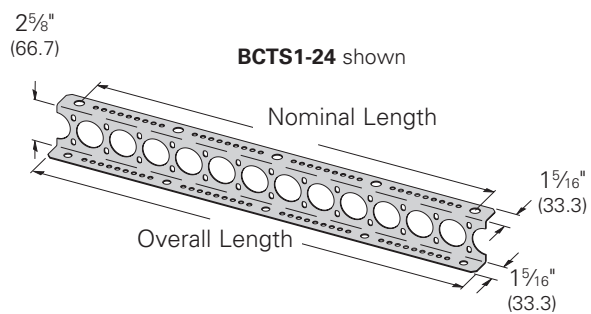
BCTS1



BCTB1 - Bushing for 1 5/8" holes



Conduit trapeze support with plastic bushing (BCTB) to support MC / AC cables



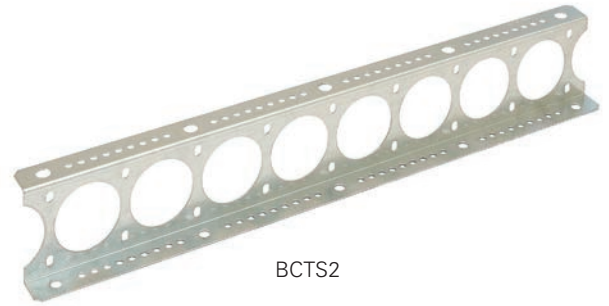
Conduit and Flextray™ trapeze support

## BCTS2 Series - 2" EMT/2" Rigid Maximum

Hanger rod spacing loads: Safety Factor of 3

Evenly distributed maximum load • 24" (610mm) is 400 lbs. (1.78kN) • 36" (914mm) is 300 lbs. (1.33kN)

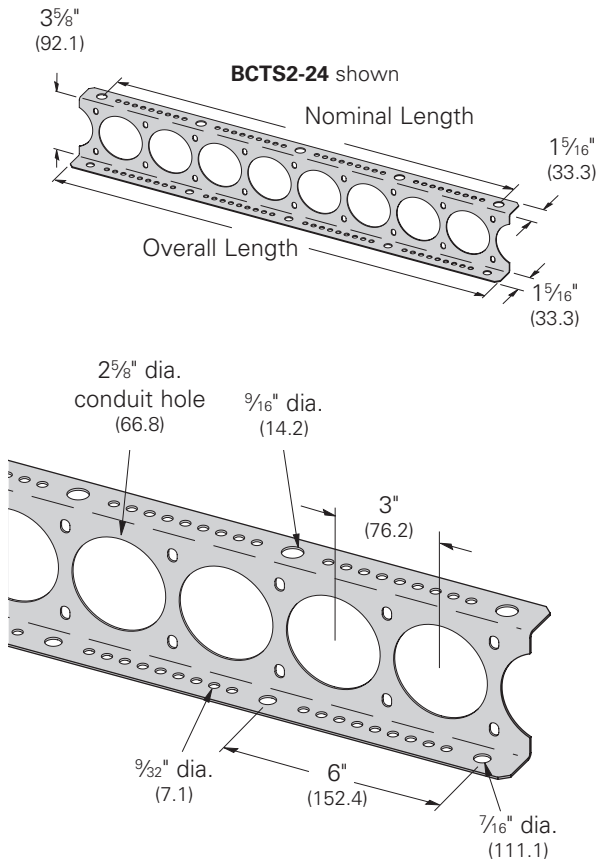
Part No.	Nominal Length		Overall Length		Conduit Holes	Wt./C	
	In.	mm	In.	mm		Lbs.	kg
BCTS2-12	12	(305)	14	(355)	4	0.95	(43.1)
BCTS2-18	18	(457)	20	(508)	6	1.35	(61.2)
BCTS2-24	24	(609)	26	(660)	8	1.75	(79.3)
BCTS2-30	30	(762)	32	(813)	10	2.15	(97.5)
BCTS2-36	36	(914)	38	(965)	12	2.55	(115.6)
BCTS2-42	42	(1067)	44	(1117)	14	2.95	(133.8)
BCTS2-48	48	(1219)	50	(1270)	16	3.35	(151.9)
BCTS2-54	54	(1371)	56	(1422)	18	3.75	(170.1)
BCTS2-60	60	(1524)	62	(1575)	20	4.15	(188.2)
BCTS2-66	66	(1676)	68	(1727)	22	4.55	(206.3)
BCTS2-72	72	(1829)	74	(1879)	24	4.95	(224.5)
BCTS2-78	78	(1981)	80	(2032)	26	5.35	(242.6)
BCTS2-84	84	(2133)	86	(2184)	28	5.75	(260.8)
BCTS2-90	90	(2286)	92	(2337)	30	6.15	(278.9)
BCTS2-96	96	(2438)	98	(2489)	32	6.55	(297.1)
BCTS2-102	102	(2591)	104	(2641)	34	6.95	(315.2)
BCTS2-108	108	(2743)	110	(2794)	36	7.35	(333.3)
BCTS2-114	114	(2895)	116	(2946)	38	7.75	(351.5)
BCTS2-120	120	(3048)	122	(3099)	40	8.15	(369.6)
BCTB2	Bushing for 2 <sup>5</sup> / <sub>8</sub> " Holes					0.70	(0.32)



BCTS2



BCTB2 - Bushing for 2<sup>5</sup>/<sub>8</sub>" holes



Conduit trapeze support

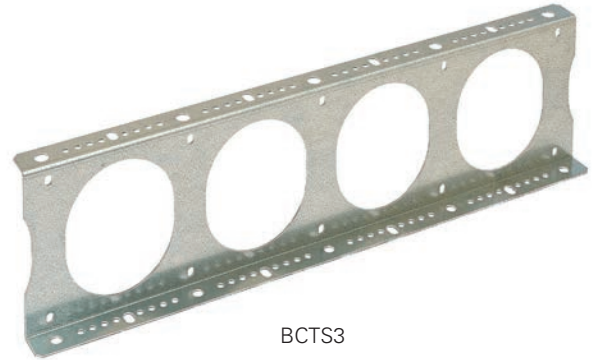


## BCTS3 Series - 4" EMT/4" Rigid Maximum

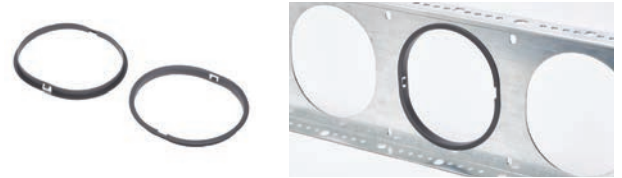
Hanger rod spacing loads: Safety Factor of 3

Evenly distributed maximum load • 24" (610mm) is 800 lbs. (3.56kN) • 36" (914mm) is 750 lbs. (3.33kN)

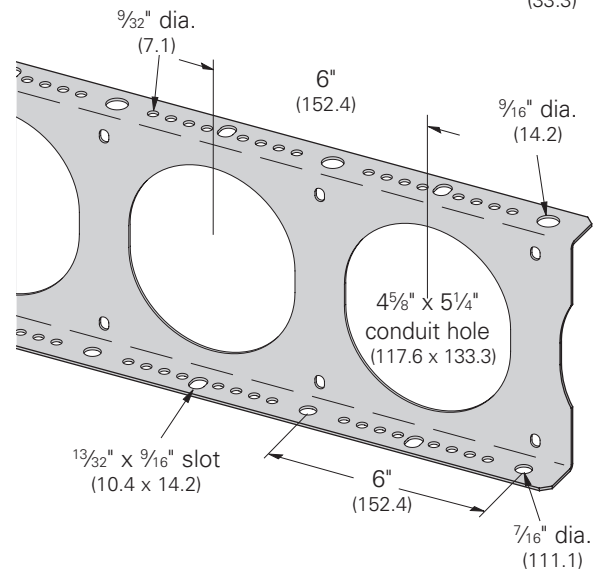
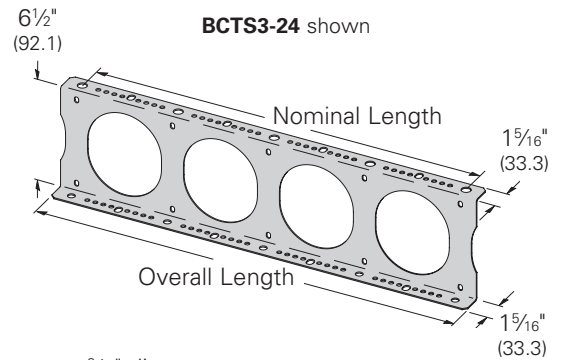
Part No.	Nominal Length		Overall Length		Conduit Holes	Wt./C	
	In.	mm	In.	mm		Lbs.	kg
BCTS3-12	12	(305)	14	(355)	2	1.68	(76.2)
BCTS3-18	18	(457)	20	(508)	3	2.35	(106.6)
BCTS3-24	24	(609)	26	(660)	4	3.02	(137.0)
BCTS3-30	30	(762)	32	(813)	5	3.69	(167.3)
BCTS3-36	36	(914)	38	(965)	6	4.36	(197.7)
BCTS3-42	42	(1067)	44	(1117)	7	5.04	(228.6)
BCTS3-48	48	(1219)	50	(1270)	8	5.71	(259.0)
BCTS3-54	54	(1371)	56	(1422)	9	6.38	(289.3)
BCTS3-60	60	(1524)	62	(1575)	10	7.05	(319.8)
BCTS3-66	66	(1676)	68	(1727)	11	7.72	(350.1)
BCTS3-72	72	(1829)	74	(1879)	12	8.40	(381.0)
BCTS3-78	78	(1981)	80	(2032)	13	9.07	(411.4)
BCTS3-84	84	(2133)	86	(2184)	14	9.74	(441.8)
BCTS3-90	90	(2286)	92	(2337)	15	10.41	(472.2)
BCTS3-96	96	(2438)	98	(2489)	16	11.08	(502.5)
BCTS3-102	102	(2591)	104	(2641)	17	11.75	(533.0)
BCTS3-108	108	(2743)	110	(2794)	18	12.43	(563.8)
BCTS3-114	114	(2895)	116	(2946)	19	13.10	(594.2)
BCTS3-120	120	(3048)	122	(3099)	20	13.77	(624.6)
BCTB3	Bushing for 4 <sup>5</sup> / <sub>8</sub> " x 5 <sup>1</sup> / <sub>4</sub> "					1.3	(0.58)

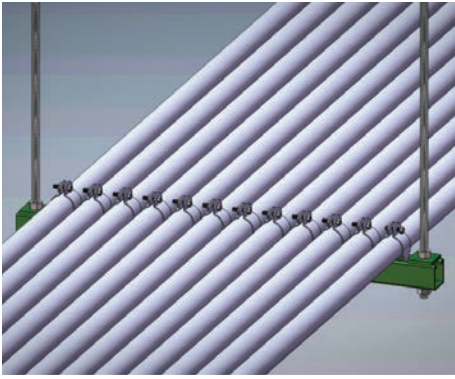


BCTS3



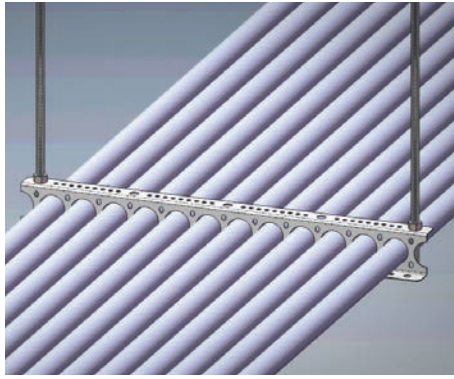
BCTB3 - Bushing for 4<sup>5</sup>/<sub>8</sub>" x 5<sup>1</sup>/<sub>4</sub>" holes





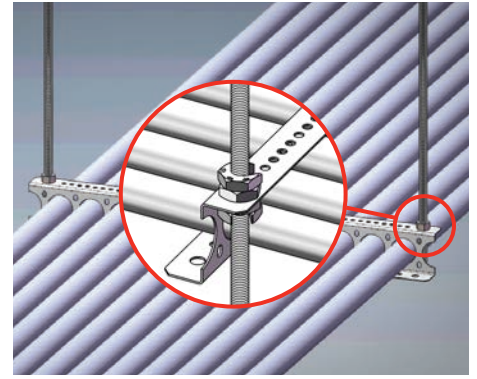
**GOOD**

Trapeze with strut and B2000 conduit clamps



**BETTER**

New conduit trapeze support (BCTS)



**BEST**

New conduit trapeze support (BCTS) with SLN

For more information, visit  
[Eaton.com/conduit-support](http://Eaton.com/conduit-support)

**Eaton**  
1000 Eaton Boulevard  
Cleveland, OH 44122  
United States  
[Eaton.com](http://Eaton.com)

© 2019 Eaton  
All Rights Reserved  
Printed in USA  
Publication No. BR300006EN  
April 2019 CTS-19

Eaton is a registered trademark.

All other trademarks are property  
of their respective owners.

Follow us on social media to get the  
latest product and support information.

