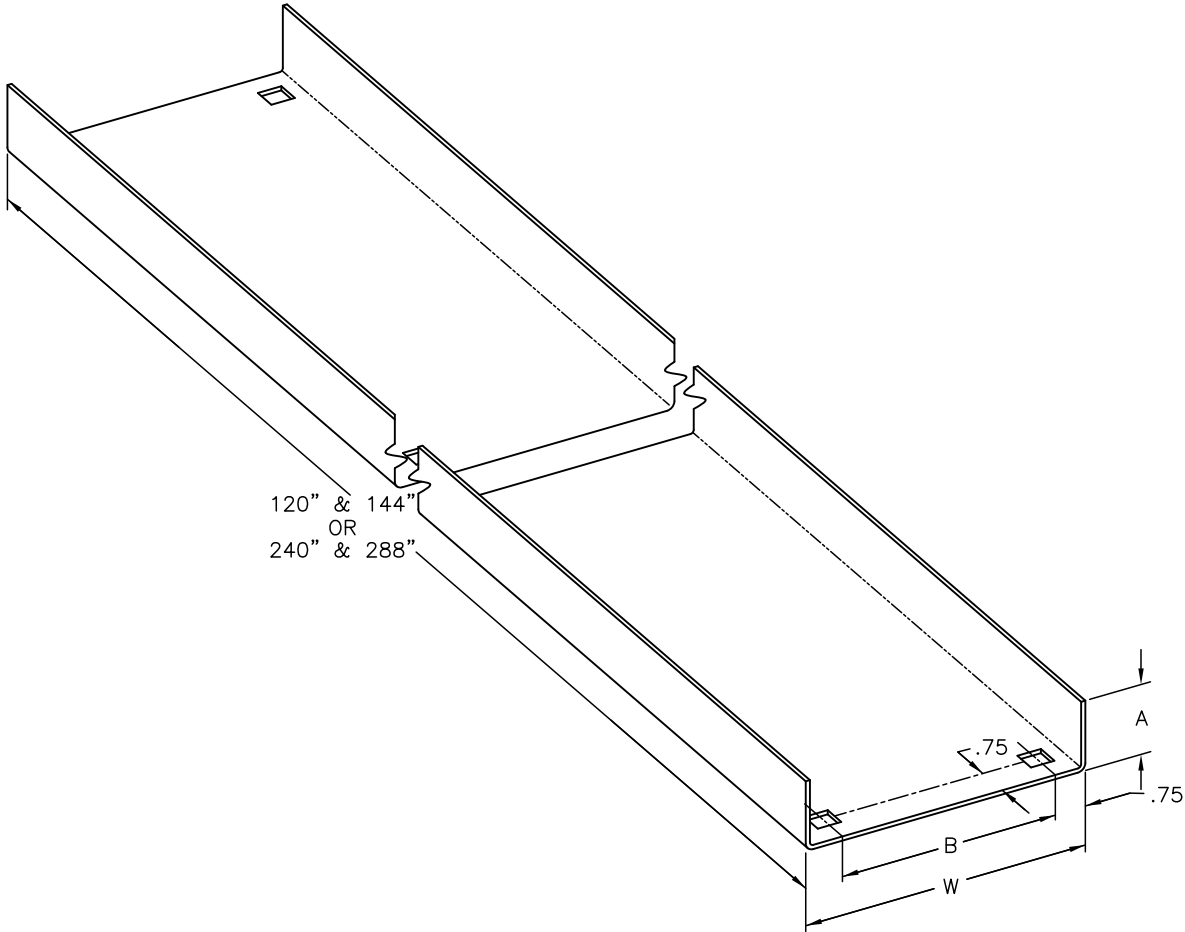


MATERIAL: PRE-GALV. 14 GA. STEEL ASTM A-446 GRADE A, SS4 304 STAINLESS STEEL, SS6 316 STAINLESS STEEL,  
HOT DIP GALVANIZED (AFTER FAB) 14 GA. STEEL ASTM A-570 GRADED 33  
.125 ALUMINUM ALLOY 6063-T6

FINISHES: PRE-GALV. ASTM A-525 G-90  
HOT-DIP GALV. ASTM A-123



SAFETY FACTOR = 1.5

B-LINE SERIES	WIDTH	A	B	SPAN (FT.)	2	4	6	8	10	12	14
ACCN	3	1.25	1.5	LOAD LBS./FT.	131.6	32.9	14.6	8.2	5.2	3.6	2.6
				DEFLECTION IN.	0.08	0.33	0.75	1.33	2.08	3.00	4.08
	4	1.75	2.5	LOAD LBS./FT.	293.8	73.4	32.6	18.3	11.7	8.1	5.9
				DEFLECTION IN.	0.05	0.21	0.48	0.86	1.34	1.93	2.62
	6	1.75	4.5	LOAD LBS./FT.	332.0	83.0	36.8	20.7	13.2	9.2	6.7
				DEFLECTION IN.	0.05	0.19	0.42	0.75	1.17	1.68	2.29

B-LINE SERIES	WIDTH	A	B	SPAN (FT.)	2	4	6	8	10	12	14
*CCN	3	1.25	1.5	LOAD LBS./FT.	148.5	37.1	16.5	9.3	5.9	4.1	3.0
				DEFLECTION IN.	0.05	0.20	0.46	0.82	1.28	1.88	2.51
	4	1.75	2.5	LOAD LBS./FT.	327.6	81.9	36.4	20.4	13.1	9.1	6.7
				DEFLECTION IN.	0.03	0.13	0.30	0.53	0.82	1.19	1.62
	6	1.75	4.5	LOAD LBS./FT.	369.9	92.4	41.1	23.1	14.8	10.2	7.5
				DEFLECTION IN.	0.03	0.11	0.26	0.46	0.72	1.04	1.41

\* - INSERT "P" FOR PRE-GALV., SS4 FOR 304 STAINLESS, SS6 FOR 316 STAINLESS OR "G" FOR HOT-DIP GALV.



EATON, B-LINE DIVISION  
509 WEST MONROE STREET  
HIGHLAND, ILLINOIS 62249-0326  
PHONE (618) 654-2184  
FAX (618) 654-5499

TITLE: NON-VENTILATED  
CABLE CHANNEL

PRODUCT DWG. NO'S:

SHEET OF

DRAWN BY: BMT

EQUIPMENT FURNISHED HAS BEEN FABRICATED  
IN ACCORDANCE WITH THIS DRAWING.

DRAWING NO.  
S00004842-SB

DATE: 11/18/02

THIS DRAWING AND/OR THE TECHNICAL INFORMATION CONTAINED HEREON IS THE PROPERTY OF EATON CORPORATION ("EATON"), AND IS ISSUED IN CONFIDENCE FOR EATON ENGINEERING PURPOSES ONLY AND MAY NOT BE REPRODUCED OR USED FOR ANY PURPOSE WHATSOEVER WITHOUT THE EXPRESS WRITTEN PERMISSION OF EATON TO THE USER. THIS DRAWING AND/OR TECHNICAL INFORMATION IS THE PROPERTY OF EATON AND IS LOANED FOR MUTUAL ASSISTANCE, TO BE RETURNED WHEN ITS INTENDED PURPOSE HAS BEEN SERVED.