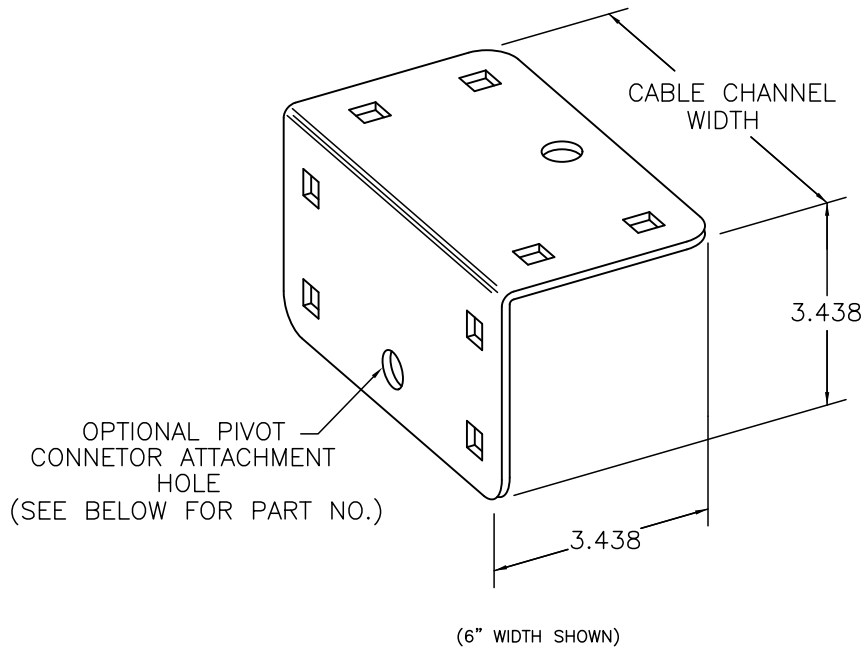
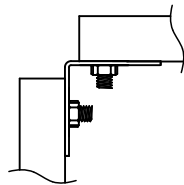


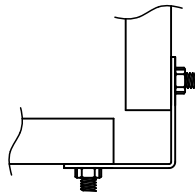
# CABLE CHANNEL 0" RADIUS VERTICAL CONNECTOR



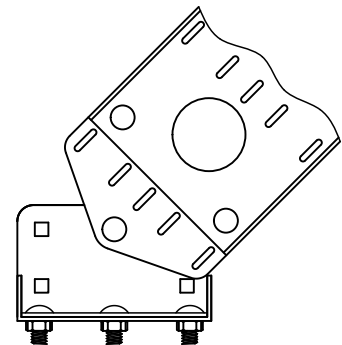
PATENT PENDING



VERTICAL OUTSIDE  
ATTACHMENT



VERTICAL INSIDE  
ATTACHMENT



OPTIONAL PIVOT  
CONNECTOR ATTACHMENT  
(VERTICAL INSIDE SHOWN)  
(6" WIDTH SHOWN)

- DESIGNED TO ATTACH CABLE CHANNEL IN A VERTICAL CONFIGURATION AS AN INSIDE OR OUTSIDE BEND.
- ATTACHMENT HARDWARE IS INCLUDED.
- MATERIAL  
ALUMINUM: 5052 - H32, .125 THICK  
STEEL: ASTM A570 GR. 33, 14 GA.
- FINISH:  
HOT-DIP GALVANIZED: ASTM A123
- PART NUMBERS FOR OPTIONAL PIVOT CONNECTORS:  
3" WIDTH - \*CC-03-PC  
4" WIDTH - \*CC-04-PC  
6" WIDTH - \*CC-06-PC
- \* = A - ALUMINUM  
G - HOT DIP GALVANIZED STEEL

PART NUMBER	CABLE CHANNEL WIDTH
*CC-03-90VC00	3.00
*CC-04-90VC00	4.00
*CC-06-90VC00	6.00

\* = A - ALUMINUM  
G - HOT DIP GALVANIZED STEEL

**EATON**  
Powering Business Worldwide®

EATON, B-LINE DIVISION  
509 WEST MONROE STREET  
HIGHLAND, ILLINOIS 62249-0326  
PHONE (618) 654-2184  
FAX (618) 654-5499

TITLE: CABLE CHANNEL 0" RADIUS  
VERTICAL CONNECTOR

EQUIPMENT FURNISHED HAS BEEN FABRICATED  
IN ACCORDANCE WITH THIS DRAWING.

THIS DRAWING AND/OR THE TECHNICAL INFORMATION CONTAINED HEREON IS THE PROPERTY OF EATON CORPORATION ("EATON"), AND IS ISSUED IN CONFIDENCE FOR EATON ENGINEERING PURPOSES ONLY AND MAY NOT BE REPRODUCED OR USED FOR ANY PURPOSE WHATSOEVER WITHOUT THE EXPRESS WRITTEN PERMISSION OF EATON TO THE USER. THIS DRAWING AND/OR TECHNICAL INFORMATION IS THE PROPERTY OF EATON AND IS LOANED FOR MUTUAL ASSISTANCE, TO BE RETURNED WHEN ITS INTENDED PURPOSE HAS BEEN SERVED.

PRODUCT DWG. NO'S:

7830

SHEET OF

DRAWN BY: TJC

DRAWING NO.  
S00007830

DATE: 7/29/96