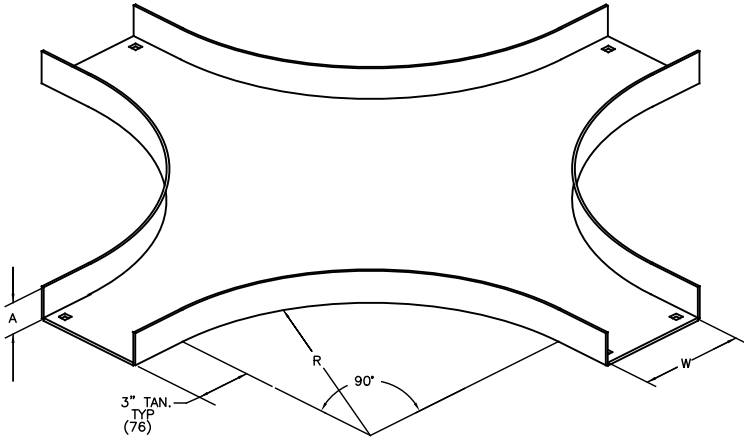


# SOLID BOTTOM CABLE CHANNEL HORIZONTAL CROSS



**MATERIAL:**

ALUMINUM 5052-H32 .125"  
 HDGAF ASTM A570 GR.33 14 GA.  
 STAINLESS STEEL 304 14 GA,  
 STAINLESS STEEL 316 14 GA,

**FINISH:**

HOT DIP GALV. ASTM A123

CATALOG NO.	R	X
*CCN-03-HX12	12 (305)	
*CCN-03-HX24	24 (610)	
*CCN-04-HX12	12 (305)	
*CCN-04-HX24	24 (610)	
*CCN-06-HX12	12 (305)	
*CCN-06-HX24	24 (610)	

W	A	X
3 (76)	1.25 (32)	
4 (102)	1.75 (44)	
6 (152)	1.75 (44)	

\* INSERT - A FOR ALUMINUM  
 G FOR HDGAF  
 SS4 FOR 304 STAINLESS STEEL  
 SS6 FOR 316 STAINLESS STEEL

X - ITEMS INCLUDED IN THIS SUBMITTAL

NOTE: DIMENSIONS IN PARENTHESIS ARE  
 IN MILLIMETERS.

**EATON**  
 Powering Business Worldwide®

**EATON, B-LINE DIVISION**

509 WEST MONROE STREET  
 HIGHLAND, ILLINOIS 62249-0326  
 PHONE (618) 654-2184  
 FAX (618) 654-5499

**TITLE:** SOLID BOTTOM  
 CABLE CHANNEL  
 HORIZONTAL CROSS

EQUIPMENT FURNISHED HAS BEEN FABRICATED  
 IN ACCORDANCE WITH THIS DRAWING.

THIS DRAWING IS THE PROPERTY OF EATON CORPORATION. IT IS TO BE USED ONLY FOR THE PROJECT AND AT THE LOCATION SPECIFIED HEREON. IT IS NOT TO BE REPRODUCED, COPIED, OR TRANSMITTED IN ANY FORM OR BY ANY MEANS, ELECTRONIC OR MECHANICAL, INCLUDING PHOTOCOPYING, RECORDING, OR BY ANY INFORMATION STORAGE AND RETRIEVAL SYSTEM, WITHOUT THE WRITTEN PERMISSION OF EATON CORPORATION. ANY UNAUTHORIZED USE OF THIS DRAWING IS PROHIBITED AND WILL BE PROSECUTED TO THE FULL EXTENT OF THE LAW.

**PRODUCT DWG. NO'S:**

**SHEET OF**

**DRAWN BY:** TJC

**DRAWING NO.**  
 S00007686-S

**DATE:** 6/4/96