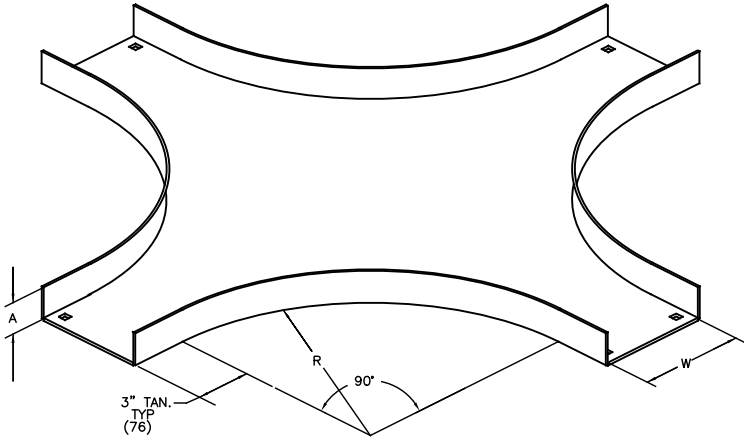


SOLID BOTTOM CABLE CHANNEL HORIZONTAL CROSS



MATERIAL:

ALUMINUM 5052-H32 .125"
HDGAF ASTM A570 GR.33 14 GA.
STAINLESS STEEL 304 14 GA,
STAINLESS STEEL 316 14 GA,

FINISH:

HOT DIP GALV. ASTM A123

CATALOG NO.	R	X
*CCN-03-HX12	12 (305)	
*CCN-03-HX24	24 (610)	
*CCN-04-HX12	12 (305)	
*CCN-04-HX24	24 (610)	
*CCN-06-HX12	12 (305)	
*CCN-06-HX24	24 (610)	

W	A	X
3 (76)	1.25 (32)	
4 (102)	1.75 (44)	
6 (152)	1.75 (44)	

* INSERT - A FOR ALUMINUM
G FOR HDGAF
SS4 FOR 304 STAINLESS STEEL
SS6 FOR 316 STAINLESS STEEL

X - ITEMS INCLUDED IN THIS SUBMITTAL

NOTE: DIMENSIONS IN PARENTHESIS ARE
IN MILLIMETERS.

EATON
Powering Business Worldwide®

EATON, B-LINE DIVISION

509 WEST MONROE STREET
HIGHLAND, ILLINOIS 62249-0326
PHONE (618) 654-2184
FAX (618) 654-5499

TITLE: SOLID BOTTOM
CABLE CHANNEL
HORIZONTAL CROSS

EQUIPMENT FURNISHED HAS BEEN FABRICATED
IN ACCORDANCE WITH THIS DRAWING.

THIS DRAWING IS THE PROPERTY OF EATON CORPORATION. IT IS TO BE USED ONLY FOR THE PROJECT AND AT THE LOCATION SPECIFIED HEREON. IT IS NOT TO BE REPRODUCED, COPIED, OR TRANSMITTED IN ANY FORM OR BY ANY MEANS, ELECTRONIC OR MECHANICAL, INCLUDING PHOTOCOPYING, RECORDING, OR BY ANY INFORMATION STORAGE AND RETRIEVAL SYSTEM, WITHOUT THE WRITTEN PERMISSION OF EATON CORPORATION. ANY UNAUTHORIZED USE OF THIS DRAWING IS STRICTLY PROHIBITED. EATON CORPORATION SHALL NOT BE RESPONSIBLE FOR ANY DAMAGE TO PERSONS OR PROPERTY CAUSED BY THE USE OF THIS DRAWING.

PRODUCT DWG. NO'S:

SHEET OF

DRAWN BY: TJC

DRAWING NO.
S00007686-S

DATE: 6/4/96