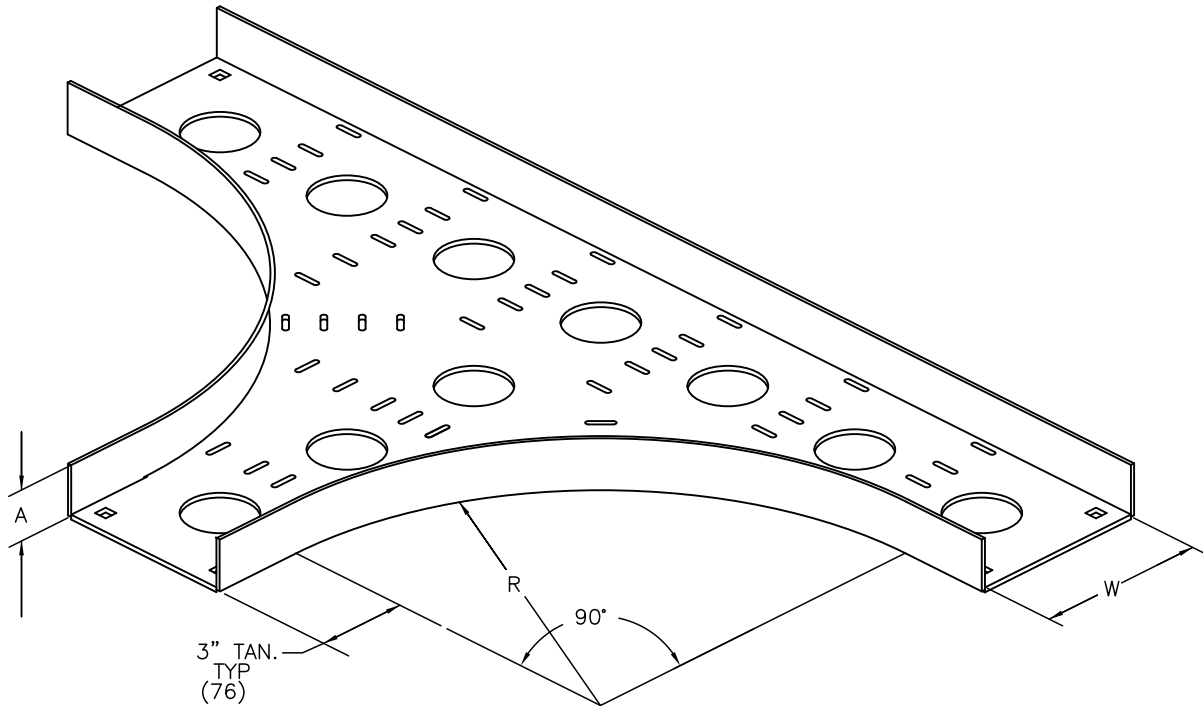


VENTED BOTTOM CABLE CHANNEL HORIZONTAL TEES



MATERIAL:

ALUMINUM 5052-H32 .125"
 HDGAF ASTM A570 GR.33 14 GA.
 STAINLESS STEEL 304 14 GA.
 STAINLESS STEEL 316 14 GA.

FINISH:

HOT DIP GALV. ASTM A123

CATALOG NO.	R	X
*CC-03-HT12	12 (305)	
*CC-03-HT24	24 (610)	
*CC-04-HT12	12 (305)	
*CC-04-HT24	24 (610)	
*CC-06-HT12	12 (305)	
*CC-06-HT24	24 (610)	

W	A	X
3 (76)	1.25 (32)	
4 (102)	1.75 (44)	
6 (152)	1.75 (44)	

* INSERT - A FOR ALUMINUM
 G FOR HDGAF
 SS4 FOR 304 STAINLESS STEEL
 SS6 FOR 316 STAINLESS STEEL

X - ITEMS INCLUDED IN THIS SUBMITTAL

NOTE: DIMENSIONS IN PARENTHESIS ARE
 IN MILLIMETERS.



EATON, B-LINE DIVISION
 509 WEST MONROE STREET
 HIGHLAND, ILLINOIS 62249-0326
 PHONE (618) 654-2184
 FAX (618) 654-5499

TITLE: VENTED BOTTOM
 CABLE CHANNEL
 HORIZONTAL TEE

EQUIPMENT FURNISHED HAS BEEN FABRICATED
 IN ACCORDANCE WITH THIS DRAWING.

THIS DRAWING AND/OR THE TECHNICAL INFORMATION CONTAINED HEREON IS THE PROPERTY OF EATON CORPORATION ("EATON"), AND IS ISSUED IN CONFIDENCE FOR EATON ENGINEERING PURPOSES ONLY AND MAY NOT BE REPRODUCED OR USED FOR ANY PURPOSE WHATSOEVER WITHOUT THE EXPRESS WRITTEN PERMISSION OF EATON TO THE USER. THIS DRAWING AND/OR TECHNICAL INFORMATION IS THE PROPERTY OF EATON AND IS LOANED FOR MUTUAL ASSISTANCE, TO BE RETURNED WHEN ITS INTENDED PURPOSE HAS BEEN SERVED.

PRODUCT DWG. NO'S:

7684
 7685

SHEET OF

DRAWN BY: TJC

DRAWING NO.
 S00007684

DATE: 6/4/96