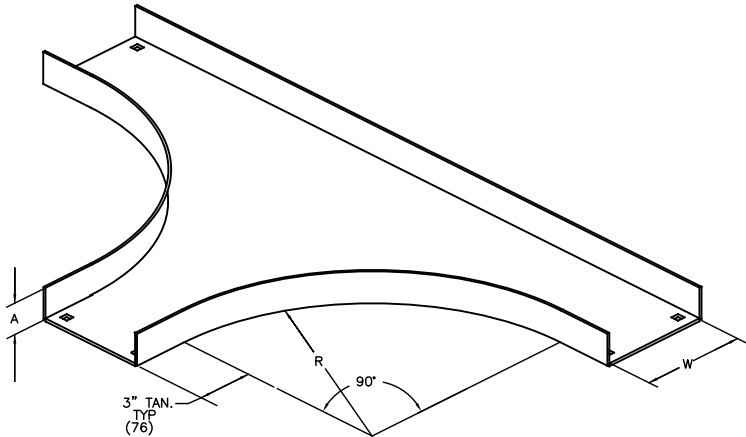


SOLID BOTTOM CABLE CHANNEL HORIZONTAL TEES



MATERIAL:

ALUMINUM 5052-H32 .125"
 HDGAF ASTM A570 GR.33 14 GA.
 STAINLESS STEEL 304 14 GA.
 STAINLESS STEEL 316 14 GA.

FINISH:

HOT DIP GALV. ASTM A123

CATALOG NO.	R	X
*CCN-03-HT12	12 (305)	
*CCN-03-HT24	24 (610)	
*CCN-04-HT12	12 (305)	
*CCN-04-HT24	24 (610)	
*CCN-06-HT12	12 (305)	
*CCN-06-HT24	24 (610)	

W	A	X
3 (76)	1.25 (32)	
4 (102)	1.75 (44)	
6 (152)	1.75 (44)	

* INSERT - A FOR ALUMINUM
 G FOR HDGAF
 SS4 FOR 304 STAINLESS STEEL
 SS6 FOR 316 STAINLESS STEEL

X - ITEMS INCLUDED IN THIS SUBMITTAL

NOTE: DIMENSIONS IN PARENTHESIS ARE
 IN MILLIMETERS.

EATON
 Powering Business Worldwide[®]

EATON, B-LINE DIVISION

509 WEST MONROE STREET
 HIGHLAND, ILLINOIS 62249-0326
 PHONE (618) 654-2184
 FAX (618) 654-5499

TITLE: SOLID BOTTOM
 CABLE CHANNEL
 HORIZONTAL TEE

PRODUCT DWG. NO'S:

7684
 7685

SHEET OF

DRAWN BY: TJC

DRAWING NO.
 S00007684-S

DATE: 6/4/96

EQUIPMENT FURNISHED HAS BEEN FABRICATED
 IN ACCORDANCE WITH THIS DRAWING.

THIS DRAWING IS THE PROPERTY OF EATON CORPORATION. IT IS TO BE USED ONLY FOR THE PROJECT AND AT THE LOCATION SPECIFIED HEREON. IT IS NOT TO BE REPRODUCED, COPIED, OR TRANSMITTED IN ANY FORM OR BY ANY MEANS, ELECTRONIC OR MECHANICAL, INCLUDING PHOTOCOPYING, RECORDING, OR BY ANY INFORMATION STORAGE AND RETRIEVAL SYSTEM, WITHOUT THE WRITTEN PERMISSION OF EATON CORPORATION. EATON CORPORATION IS NOT RESPONSIBLE FOR ANY DAMAGE TO PERSONS OR PROPERTY CAUSED BY THE USE OF THIS DRAWING.