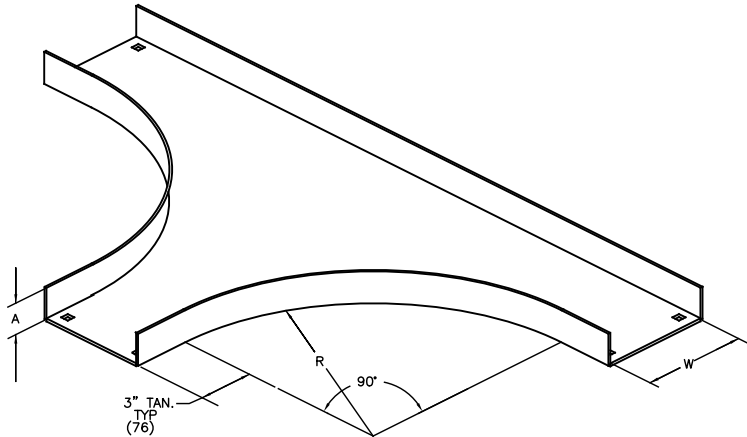


# SOLID BOTTOM CABLE CHANNEL HORIZONTAL TEES



**MATERIAL:**

ALUMINUM 5052-H32 .125"  
HDGAF ASTM A570 GR.33 14 GA.  
STAINLESS STEEL 304 14 GA.  
STAINLESS STEEL 316 14 GA.

**FINISH:**

HOT DIP GALV. ASTM A123

CATALOG NO.	R	X
*CCN-03-HT12	12 (305)	
*CCN-03-HT24	24 (610)	
*CCN-04-HT12	12 (305)	
*CCN-04-HT24	24 (610)	
*CCN-06-HT12	12 (305)	
*CCN-06-HT24	24 (610)	

W	A	X
3 (76)	1.25 (32)	
4 (102)	1.75 (44)	
6 (152)	1.75 (44)	

\* INSERT - A FOR ALUMINUM  
G FOR HDGAF  
SS4 FOR 304 STAINLESS STEEL  
SS6 FOR 316 STAINLESS STEEL

X - ITEMS INCLUDED IN THIS SUBMITTAL

NOTE: DIMENSIONS IN PARENTHESIS ARE  
IN MILLIMETERS.

**EATON**  
Powering Business Worldwide<sup>®</sup>

**EATON, B-LINE DIVISION**

509 WEST MONROE STREET  
HIGHLAND, ILLINOIS 62249-0326  
PHONE (618) 654-2184  
FAX (618) 654-5499

**TITLE:** SOLID BOTTOM  
CABLE CHANNEL  
HORIZONTAL TEE

**PRODUCT DWG. NO'S:**

7684  
7685

**SHEET OF**

**DRAWN BY:** TJC

**DRAWING NO.**  
S00007684-S

**DATE:** 6/4/96

EQUIPMENT FURNISHED HAS BEEN FABRICATED  
IN ACCORDANCE WITH THIS DRAWING.

THIS DRAWING IS THE PROPERTY OF EATON CORPORATION. IT IS TO BE USED ONLY FOR THE PROJECT AND AT THE LOCATION SPECIFIED HEREON. IT IS NOT TO BE REPRODUCED, COPIED, OR TRANSMITTED IN ANY FORM OR BY ANY MEANS, ELECTRONIC OR MECHANICAL, INCLUDING PHOTOCOPYING, RECORDING, OR BY ANY INFORMATION STORAGE AND RETRIEVAL SYSTEM, WITHOUT THE WRITTEN PERMISSION OF EATON CORPORATION. EATON CORPORATION IS NOT RESPONSIBLE FOR ANY DAMAGE TO PERSONS OR PROPERTY CAUSED BY THE USE OF THIS DRAWING.