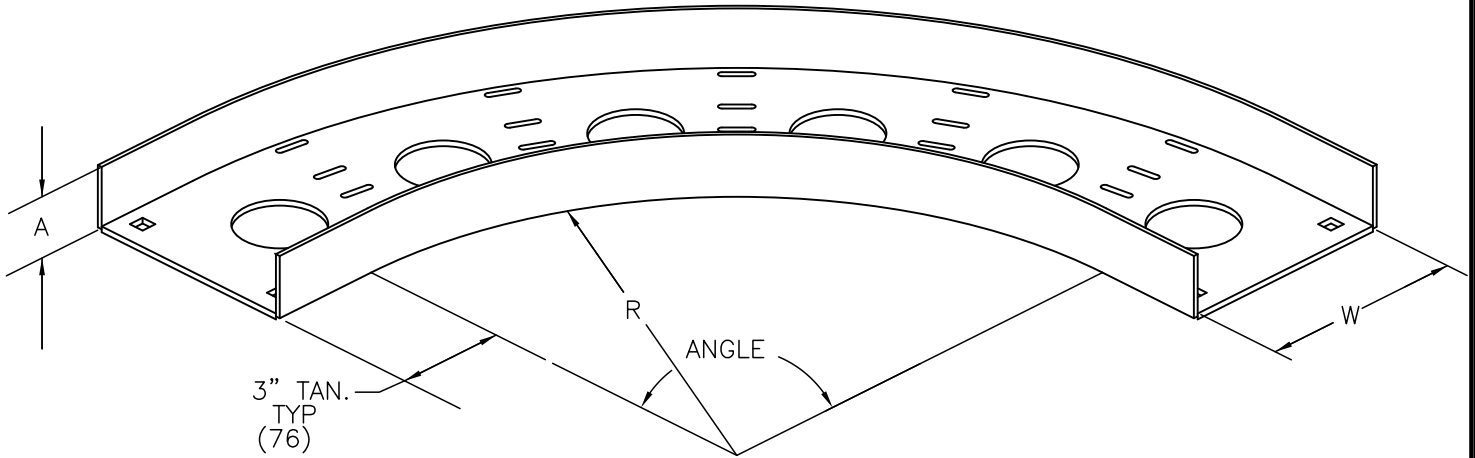


VENTED BOTTOM CABLE CHANNEL HORIZONTAL BENDS



MATERIAL:
 ALUMINUM 5052-H32 .125"
 HDGAF ASTM A570 GR.33 14 GA.
 STAINLESS STEEL 304 14 GA,
 STAINLESS STEEL 316 14 GA,
 FINISH:
 HOT DIP GALV. ASTM A123

CATALOG NO.	ANGLE	R	X
*CC-W-90HB12	90°	12 (305)	
*CC-W-90HB24		24 (610)	
*CC-W-90HB36		36 (914)	
*CC-W-90HB48		48 (1219)	
*CC-W-60HB12	60°	12 (305)	
*CC-W-60HB24		24 (610)	
*CC-W-60HB36		36 (914)	
*CC-W-60HB48		48 (1219)	
*CC-W-45HB12	45°	12 (305)	
*CC-W-45HB24		24 (610)	
*CC-W-45HB36		36 (914)	
*CC-W-45HB48		48 (1219)	
*CC-W-30HB12	30°	12 (305)	
*CC-W-30HB24		24 (610)	
*CC-W-30HB36		36 (914)	
*CC-W-30HB48		48 (1219)	

W	A	X
3 (76)	1.25 (32)	
4 (102)	1.75 (44)	
6 (152)	1.75 (44)	

* INSERT - A FOR ALUMINUM
 G FOR HDGAF
 SS4 FOR 304 STAINLESS STEEL
 SS6 FOR 316 STAINLESS STEEL

W INSERT WIDTH - 03, 04, OR 06

X - ITEMS INCLUDED IN THIS SUBMITTAL

NOTE: DIMENSIONS IN PARENTHESIS ARE
 IN MILLIMETERS.



EATON, B-LINE DIVISION
 509 WEST MONROE STREET
 HIGHLAND, ILLINOIS 62249-0326
 PHONE (618) 654-2184
 FAX (618) 654-5499

TITLE: VENTED BOTTOM
 CABLE CHANNEL
 HORIZONTAL BEND

EQUIPMENT FURNISHED HAS BEEN FABRICATED
 IN ACCORDANCE WITH THIS DRAWING.

THIS DRAWING AND/OR THE TECHNICAL INFORMATION CONTAINED HEREON IS THE PROPERTY OF EATON CORPORATION ("EATON"), AND IS ISSUED IN CONFIDENCE FOR EATON ENGINEERING PURPOSES ONLY AND MAY NOT BE REPRODUCED OR USED FOR ANY PURPOSE WHATSOEVER WITHOUT THE EXPRESS WRITTEN PERMISSION OF EATON TO THE USER. THIS DRAWING AND/OR TECHNICAL INFORMATION IS THE PROPERTY OF EATON AND IS LOANED FOR MUTUAL ASSISTANCE, TO BE RETURNED WHEN ITS INTENDED PURPOSE HAS BEEN SERVED.

PRODUCT DWG. NO'S:

7683

SHEET OF

DRAWN BY: TJC

DRAWING NO.
 S00007683

DATE: 6/4/96