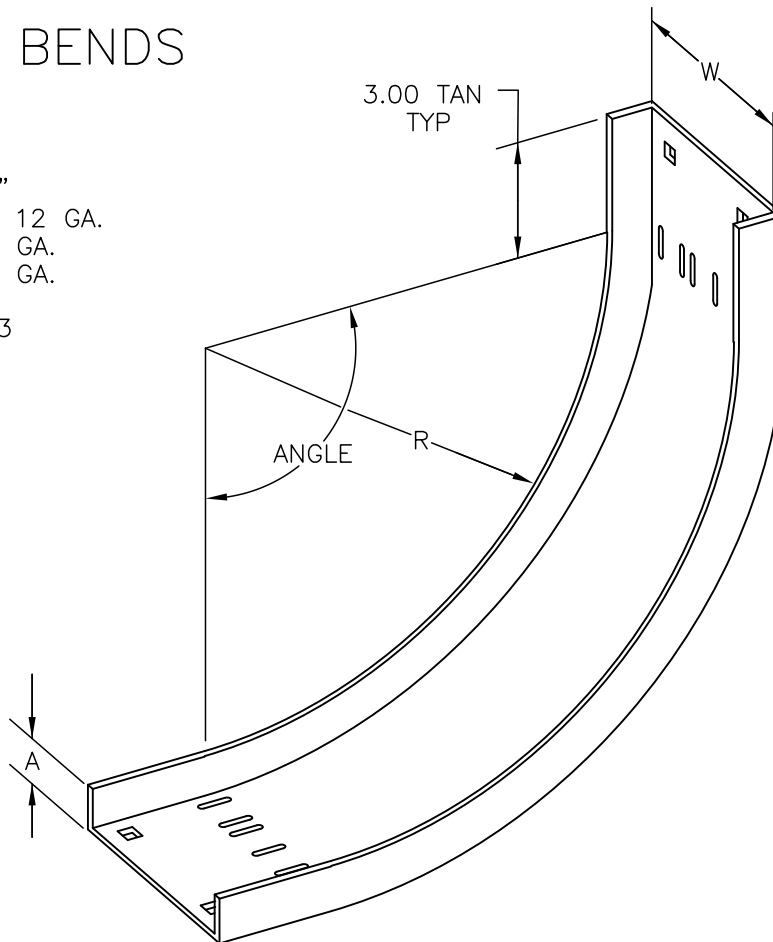


VENTED BOTTOM CABLE CHANNEL VERTICAL INSIDE BENDS

MATERIAL:
 ALUMINUM 6063-T4 .125"
 HDGAF ASTM A570 GR.33 12 GA.
 STAINLESS STEEL 304 12 GA.
 STAINLESS STEEL 316 12 GA.

FINISH:
 HOT DIP GALV. ASTM A123



CATALOG NO.	ANGLE	R
*CC-W-90VI12	90°	12 (305)
*CC-W-90VI24		24 (610)
*CC-W-90VI36		36 (915)
*CC-W-90VI48		48 (1220)
*CC-W-60VI12	60°	12 (305)
*CC-W-60VI24		24 (610)
*CC-W-60VI36		36 (915)
*CC-W-60VI48		48 (1220)
*CC-W-45VI12	45°	12 (305)
*CC-W-45VI24		24 (610)
*CC-W-45VI36		36 (915)
*CC-W-45VI48		48 (1220)
*CC-W-30VI12	30°	12 (305)
*CC-W-30VI24		24 (610)
*CC-W-30VI36		36 (915)
*CC-W-30VI48		48 (1220)

W	A
3 (76)	1.25 (32)
4 (102)	1.75 (44)
6 (152)	1.75 (44)

* INSERT - A FOR ALUMINUM
 G FOR HDGAF
 SS4 FOR 304 STAINLESS STEEL
 SS6 FOR 316 STAINLESS STEEL

W INSERT WIDTH - 03, 04, OR 06

X - ITEMS INCLUDED IN THIS SUBMITTAL

NOTE: DIMENSIONS IN PARENTHESIS ARE
 IN MILLIMETERS.



EATON, B-LINE DIVISION
 509 WEST MONROE STREET
 HIGHLAND, ILLINOIS 62249-0326
 PHONE (618) 654-2184
 FAX (618) 654-5499

TITLE: VENTED BOTTOM
 CABLE CHANNEL
 VERTICAL INSIDE BEND

PRODUCT DWG. NO'S:

7118

SHEET OF

DRAWN BY:

TJC

DRAWING NO.
 S00007118-VI

DATE: 6/5/96

EQUIPMENT FURNISHED HAS BEEN FABRICATED
 IN ACCORDANCE WITH THIS DRAWING.

THIS DRAWING AND/OR THE TECHNICAL INFORMATION CONTAINED HEREON IS THE PROPERTY OF EATON CORPORATION ("EATON"), AND IS ISSUED BY CONFIDENCE FOR EATON ENGINEERING PURPOSES ONLY AND MAY NOT BE REPRODUCED OR USED FOR ANY PURPOSE WHATSOEVER WITHOUT THE EXPRESS WRITTEN PERMISSION OF EATON TO THE USER. THIS DRAWING AND/OR TECHNICAL INFORMATION IS THE PROPERTY OF EATON AND IS LOANED FOR MUTUAL ASSISTANCE, TO BE RETURNED WHEN ITS INTENDED PURPOSE HAS BEEN SERVED.